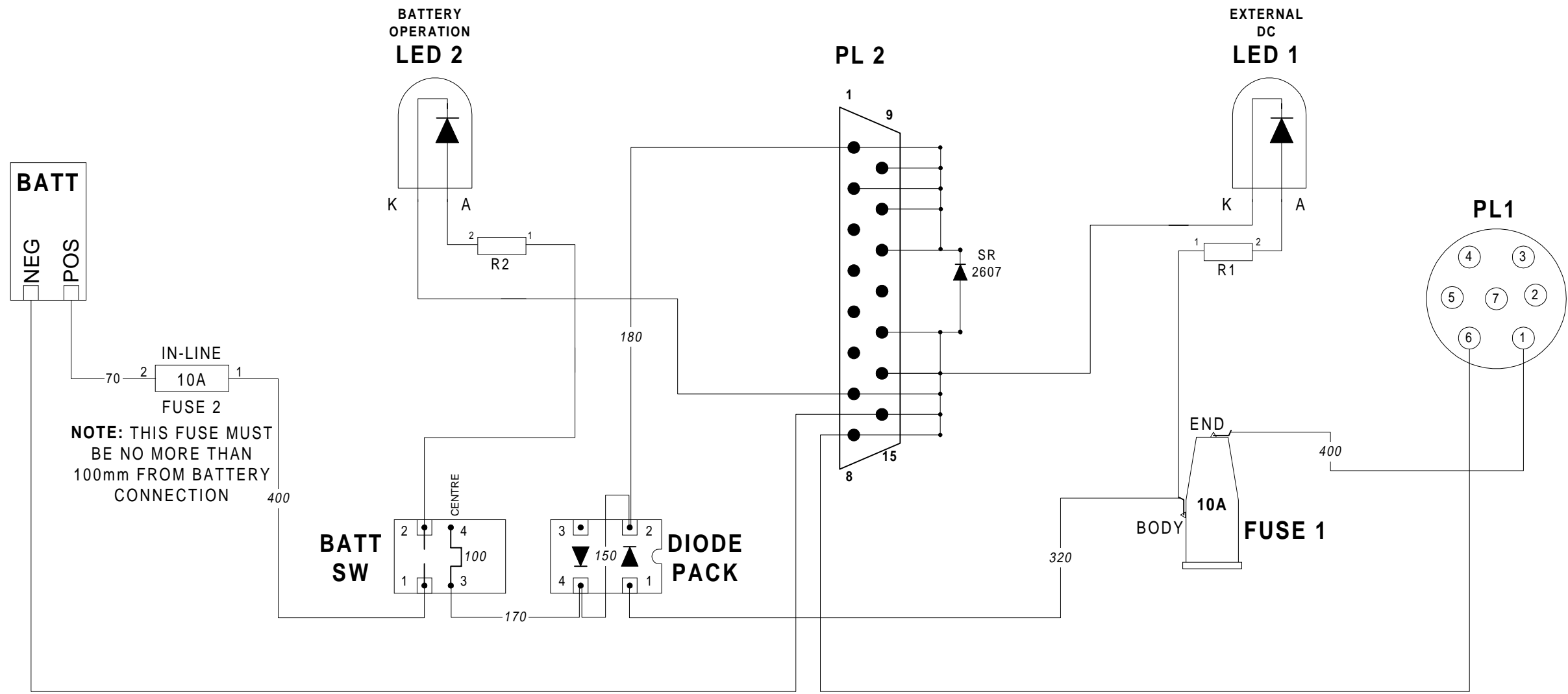




TAIT
Radio Communications
Christchurch
New Zealand

ISSUE	AMENDMENT	DRAWN	CHECKED	DATE
1	Original	AMM	ABB	4/3/99
2	Switch numbering corrected	AMM	ABB	7/7/99
3	FUSE NOTE ADDED	AMM	ABB	9/7/99
4	WIRE LENGTHS ADDED	AMM	ABB	17/1/99



IN-LINE FUSE 2
10A
NOTE: THIS FUSE MUST BE NO MORE THAN 100mm FROM BATTERY CONNECTION

BATTERY						BATTERY SWITCH					DIODE PACK					PL2 BACKPLANE					FUSE 1					PL 1															
PIN	FUNCTION	DEST.	COL	SIZE	△	PIN	FUNCTION	DEST.	COL	SIZE	△	PIN	FUNCTION	DEST.	COL	SIZE	△	PIN	FUNCTION	DEST.	COL	SIZE	△	PIN	FUNCTION	DEST.	COL	SIZE	△	PIN	FUNCTION	DEST.	COL	SIZE	△						
P	13.8V	FUSE2:2	RD	154	70	1	13.8V	FUSE2:1	RD	154	400	1	13.8V	FUSE1:BODY	RD	154	320	1	13.8V	DP:2	RD	154	180	E	13.8V	PL1:1	RD	154	400	1	13.8V	FUSE1:END	RD	154	400	1	13.8V	FUSE1:END	RD	154	400
N	0V	PL2:15	BLK	154	500	2	13.8V	R2:1	BRN	7/2	660	2	13.8V	PL2:1	RD	154	180	2						BODY	13.8V	DP:1	RD	154	320	2		N/C				2		N/C			
FUSE 2						3	13.8V	DP:4	RD	154	170	3	13.8V	DP:4	RD	154	150	3						3	13.8V	R1:1	RD	7/2	550	3		N/C									
						4		B/SW:4	RD	154		4		N/C				4						4		N/C															
1	13.8V	B/SW:1	RD	154	400	LED 2					4	13.8V	DP:2	RD	154	150	5						R 1					5		N/C											
2	13.8V	BATT:POS	BLK	154	70						4	13.8V	B/SW:3	RD	154	170	6											6	0V	PL2:8	BLK	154	440								
LED 2						R 2					7	0V	LED2:K	BLK	7/2	570	7						LED 1					7		N/C											
											A	13.8V	R2:2				8	0V	PL1:6	BLK	154	440						8	0V	LED1:A											
											K	0V	PL2:7	BLK	7/2	570	9											9													
R 2											10						10											10													
											1	13.8V	B/SW :2	BRN	7/2	660	11											11						PIN	FUNCTION	DEST.	COL	SIZE	△		
R 2											12						12						A	13.8V	R1:2																
											2	13.8V	LED2:A				13						13						K	0V	PL2:14	BLK	7/2	540							
											14	0V	LED1:K	BLK	7/2	540	14	0V	LED1:K	BLK	7/2	540						14	0V	LED1:K	BLK	7/2	540								
											15	0V	BATT:NEG	BLK	154	500	15	0V	BATT:NEG	BLK	154	500						15	0V	BATT:NEG	BLK	154	500								

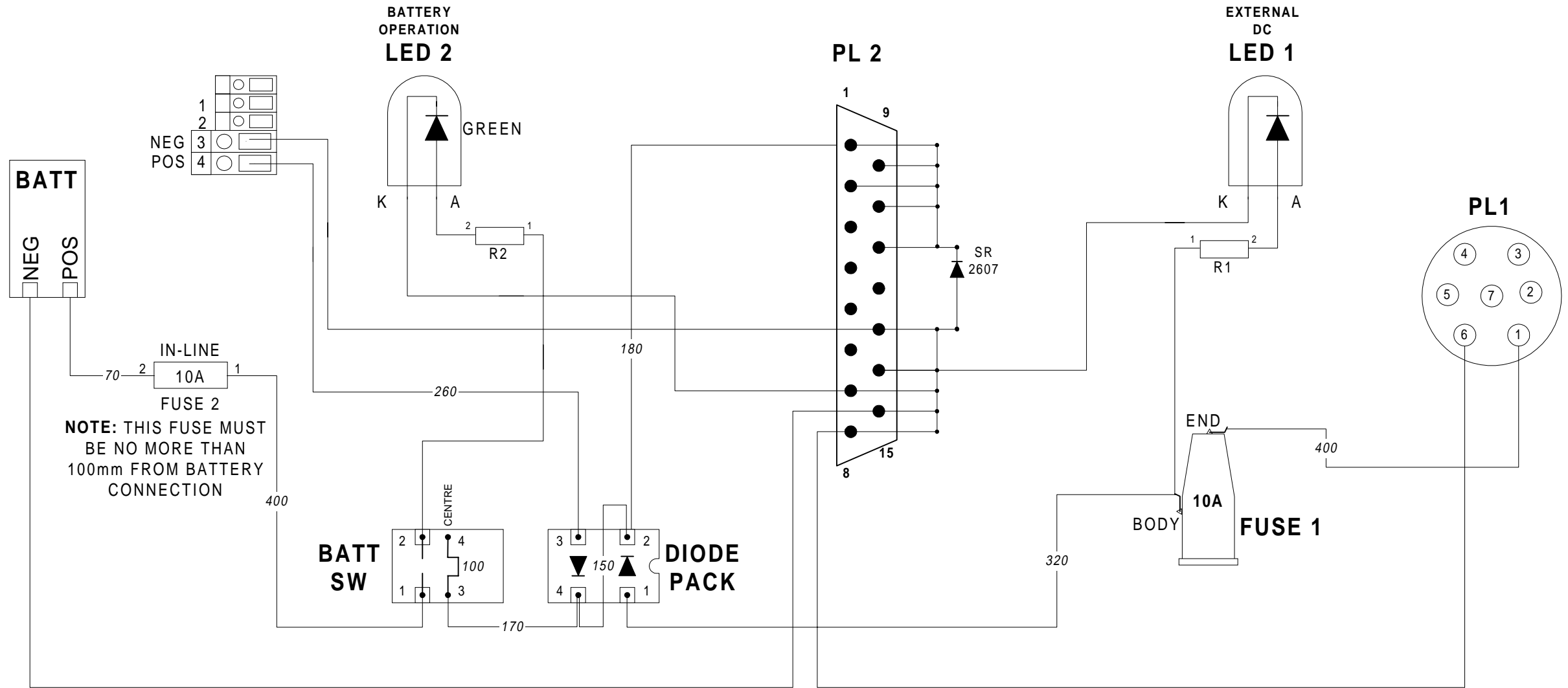
TITLE: DC WIRING DIAGRAM FOR T800-25-0000

FILE: c:\ab\w800-25-0000.vsd
DRAWING: W800-25-0000



TAIT
Radio Communications
Christchurch
New Zealand

ISSUE	AMENDMENT	DRAWN	CHECKED	DATE
1	Original	AMM	ABB	5/3/99
2	Switch numbering corrected	AMM	ABB	7/7/99
3	FUSE NOTE ADDED	AMM	ABB	9/7/99
4	WIRE LENGTHS ADDED	AMM	ABB	18/1/99



BATTERY					BATTERY SWITCH					DIODE PACK					PL2					FUSE 1					PL 1																						
PIN	FUNCTION	DEST.	COL	SIZE	PIN	FUNCTION	DEST.	COL	SIZE	PIN	FUNCTION	DEST.	COL	SIZE	PIN	FUNCTION	DEST.	COL	SIZE	PIN	FUNCTION	DEST.	COL	SIZE	PIN	FUNCTION	DEST.	COL	SIZE																		
P	13.8V	FUSE2:2	RD	154	70	1	13.8V	FUSE2:1	RD	154	400	1	13.8V	FUSE1:BODY	RD	154	320	1	13.8V	DP:2	RD	154	180	E	13.8V	PL1:1	RD	154	400	1	13.8V	FUSE1:END	RD	154	400												
N	0V	PL2:15	BLK	154	500	2	13.8V	R2:1	BRN	7/2	660	2	13.8V	PL2:1	RD	154	180	2						13.8V	DP:1	RD	154	320	2		N/C				2		N/C										
FUSE 2					3	13.8V	DP:4	RD	154	170	3	13.8V	PSU:4	RD	154	260	3								13.8V	R1:1	RD	7/2	550	3		N/C				3		N/C									
					4									4	13.8V	DP:2	RD	154	150	4																											
1	13.8V	B/SW:1	RD	154	400	LED 2					PSU					5																															
2	13.8V	BATT:POS	BLK	154	70	A	13.8V	R2:2				R2					6																														
					K	0V	PL2:7	BLK	7/2	570						7	0V	LED2:K	BLK	7/2	570	R 1					1	13.8V	FUSE1:BODY	RD	7/2	550	6	0V	PL2:8	BLK	154	440	7		N/C						
															8	0V	PL1:6	BLK	154	440						2	13.8V	LED1:ANODE				LED 1															
															9																																
															10																																
															11																																
															12																																
															13	0V	PL2:13	BLK	154	390						A	13.8V	R1:2																			
															14	0V	DP:3	RD	154	260						K	0V	PL2:14	BLK	7/2	540																
															15	0V	BATT:NEG	BLK	154	500																											

FILE: c:\ab\w800-25-0001.vsd
DRAWING: W800-25-0001

TITLE: DC WIRING DIAGRAM FOR T800-25-0001

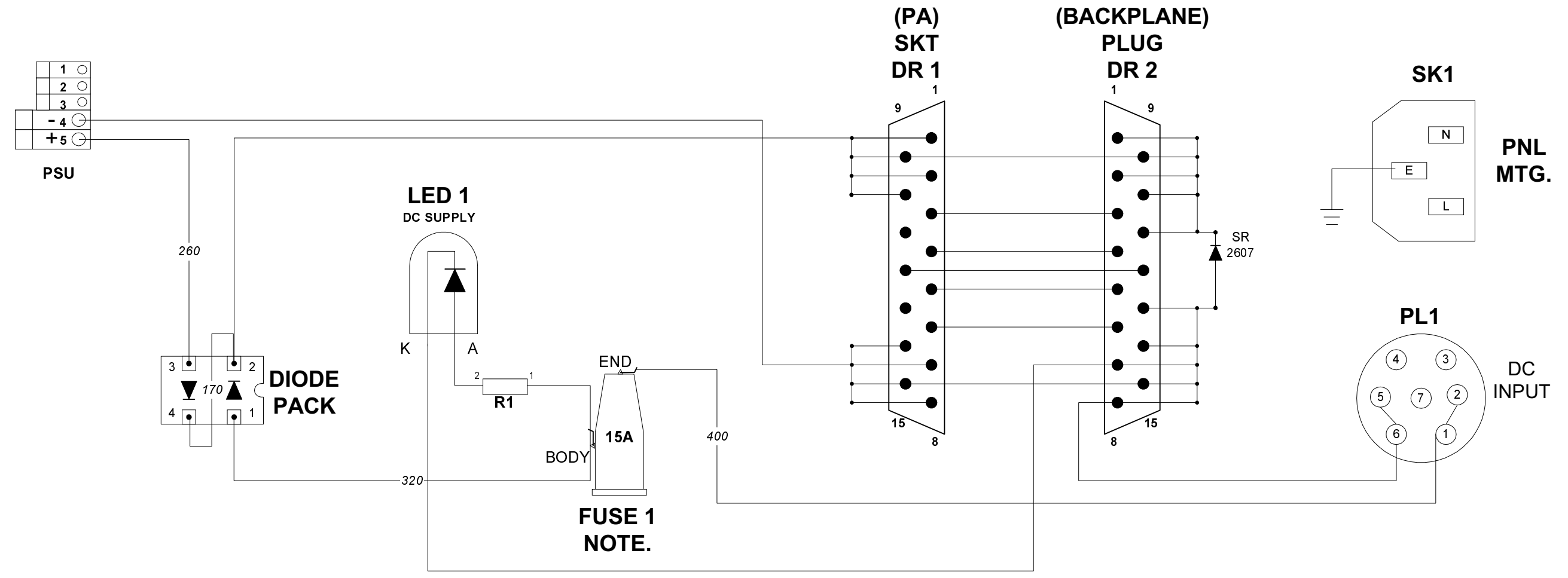


TAIT
Radio Communications
Christchurch
New Zealand

ISSUE	AMENDMENT	DRAWN	CHECKED	DATE
1	Original	AMM	ABB	4/6/99
2	WIRE LENGTHS ADDED	AMM	ABB	18/1/99
3	Diode removed from DR1	AMM	CO	19/5/00
4	DR1 & 2, pin 13 common added	AMM	JD	22/5/00

FILE: c:\abw\800-25-0002.vsd
DRAWING: W800-25-0002

TITLE: DC and AC WIRING DIAGRAM FOR T800-25-0002



PSU					DIODE PACK					FUSE					DR 1					DR 2					PL 1											
PIN	FUNCTION	DEST.	COL	SIZE	PIN	FUNCTION	DEST.	COL	SIZE	PIN	FUNCTION	DEST.	COL	SIZE	PIN	FUNCTION	DEST.	COL	SIZE	PIN	FUNCTION	DEST.	COL	SIZE	PIN	FUNCTION	DEST.	COL	SIZE							
1					1	13.8V	FUSE:B	RD	154	320	E	13.8V	PL1:1, 2	RD	154	400	1	13.8V							1	13.8V	FUSE:E	RD	154	400						
2					2	13.8V	DP:4	RD	154	170	B	13.8V	DP:1	RD	154	320	2	13.8V								2	13.8V									
3							DR1:1	RD	154	500			R1:1	RD	7/2	550	3	FWD PWR ALM	DR2:3	OR	7/2	400	3	FWD PWR ALM	DR1:3	OR	7/2	400	3							
4	0V	DR1:7	BLK	154	600	3	13.8V	PSU:5	RD	154	260	LED 1					4	REV PWR ALM	DR2:4	YEL	7/2	400	4	REV PWR ALM	DR1:4	YEL	7/2	400	4							
5	13.8V	DP:3	RD	154	260	4		DP:2	RD	154	170	DC SUPPLY					5	FWD PWR MET	DR2:5	GRN	7/2	400	5	FWD PWR MET	DR1:5	GRN	7/2	400	5	0V		BLK	154	600		
												A	13.8V	R1:2				6	REV PWR MET	DR2:6	BLU	7/2	400	6	REV PWR MET	DR1:6	BLU	7/2	400	6	0V		BLK	154	600	
												K	0V	DR2:7	BLK	7/2	550	7	0V						7	0V										
												R 1					8	0V							8	0V										
												1	13.8V	FUSE:B	RD	7/2	550	9	13.8V	DR2:9	RD	154	400	9	13.8V											
												2	13.8V	LED1:A				10	13.8V						10	13.8V										
																		11	13.8V						11	13.8V										
																		12	TX KEY	DR2:12	VIO	7/2	400	12	TX KEY	DR1:12	VIO	7/2	400	12						
																		13	0V						13	0V										
																		14	0V						14	0V										
																		15	0V	DR2:15	BLK	154	400	15	0V	DR1:15	BLK	154	400	15						

NOTE: MAINS LEAD TO BE CUT TO 800mm BEFORE FITTING