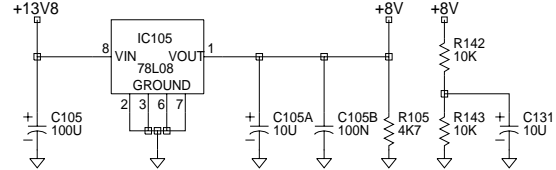
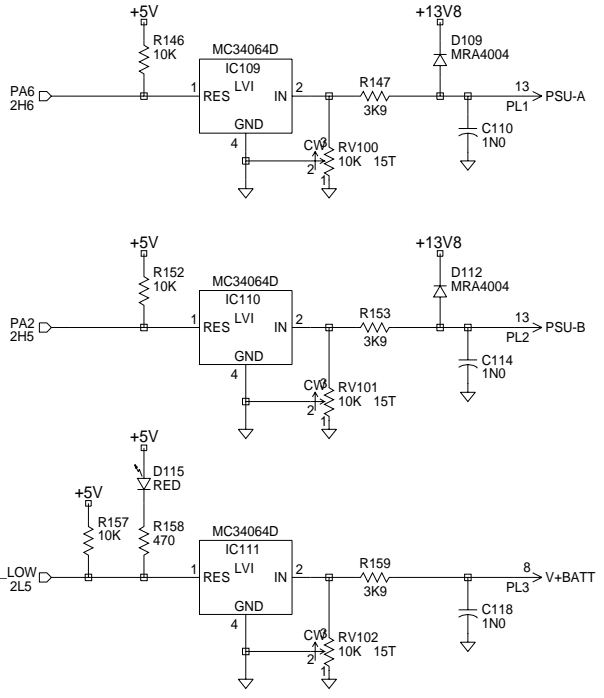


RELAY CONTACTS DRAWN IN RESET STATE

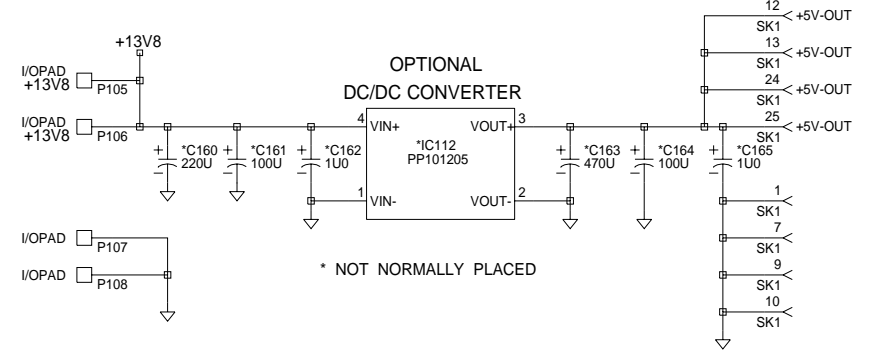
POWER REGULATORS



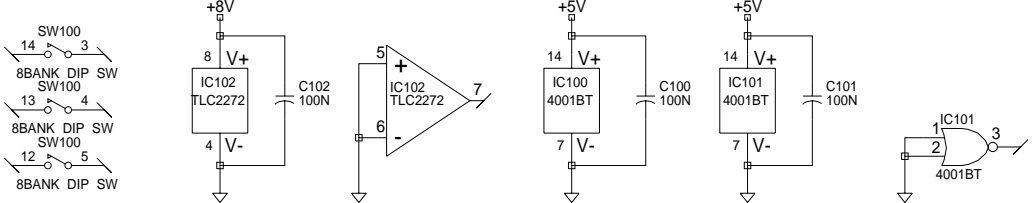
DCPWR COMPARATORS



OPTIONAL DC/DC CONVERTER

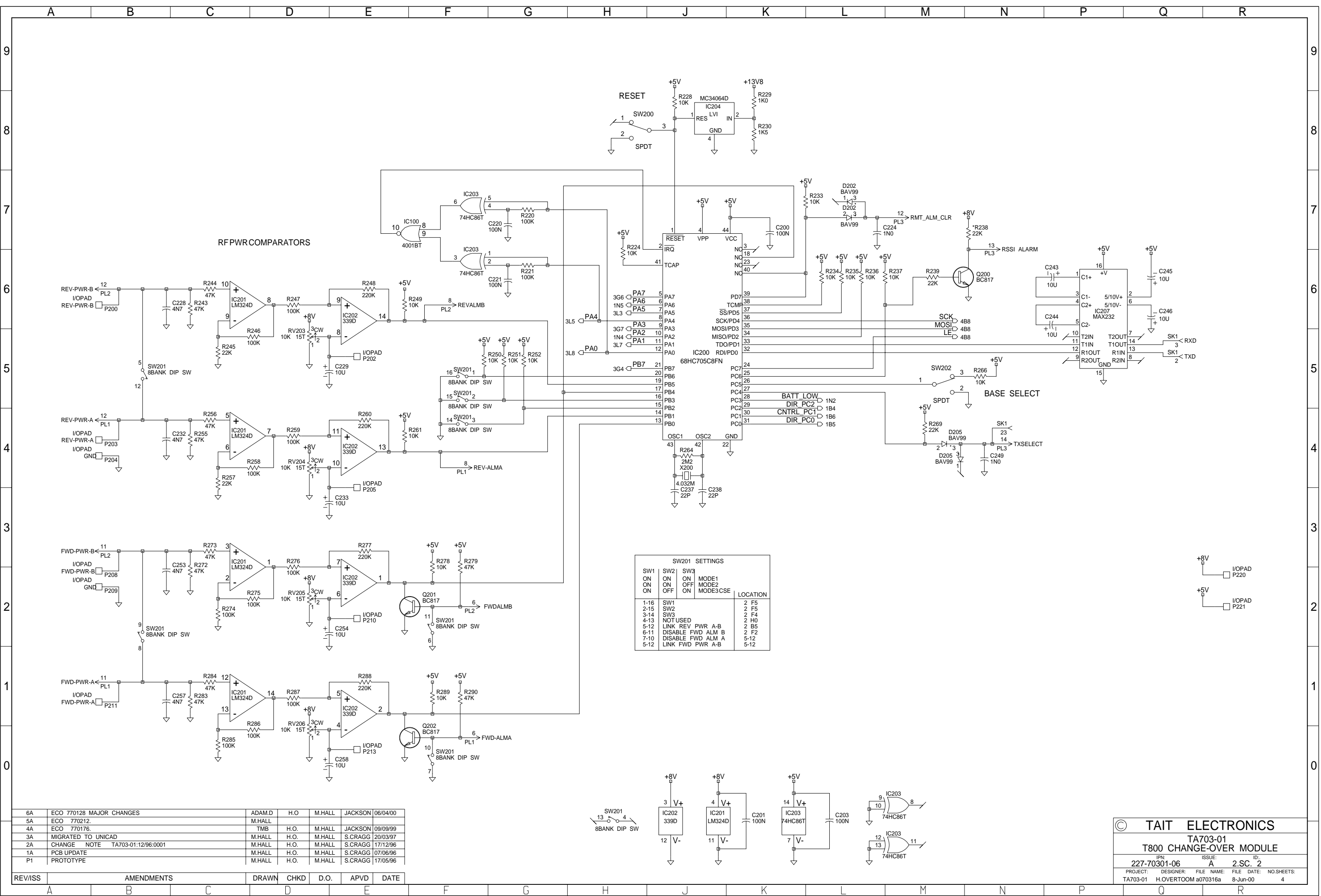


SW100	ON	OFF	LOCATION
3-14			1 F0
4-13			1 F0
5-12	X		1 F0
7-10	X		3 J3
8-9	X		3 J7
6-11	TT	BS	1 K4
1-16	TT	BS	1 F6
2-15	TT	BS	1 F6



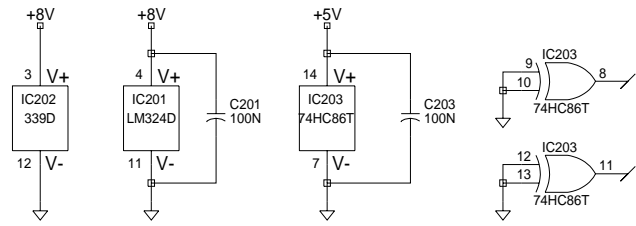
6A	ECO 770128 MAJOR CHANGES	ADAM.D	H.O	M.HALL	JACKSON	06/04/00
5A	ECO 770212.	M.HALL				
4A	ECO 770176.	TMB	H.O.	M.HALL	JACKSON	09/09/99
3A	MIGRATED TO UNICAD	M.HALL	H.O.	M.HALL	S.CRAGG	20/03/97
2A	CHANGE NOTE TA703-01:12/96:0001	M.HALL	H.O.	M.HALL	S.CRAGG	17/12/96
1A	PCB UPDATE	M.HALL	H.O.	M.HALL	S.CRAGG	07/06/96
P1	PROTOTYPE	M.HALL	H.O.	M.HALL	S.CRAGG	17/05/96
REVI/ISS	AMENDMENTS	DRAWN	CHKD	D.O.	APVD	DATE

© TAIT ELECTRONICS  
 TA703-01  
 T800 CHANGE-OVER MODULE  
 IPN: 227-70301-06 ISSUE: A ID: 2.SC. 1  
 PROJECT: TA703-01 DESIGNER: H.OVERTOOM FILE NAME: a070316a FILE DATE: 8-Jun-00 NO.SHEETS: 4



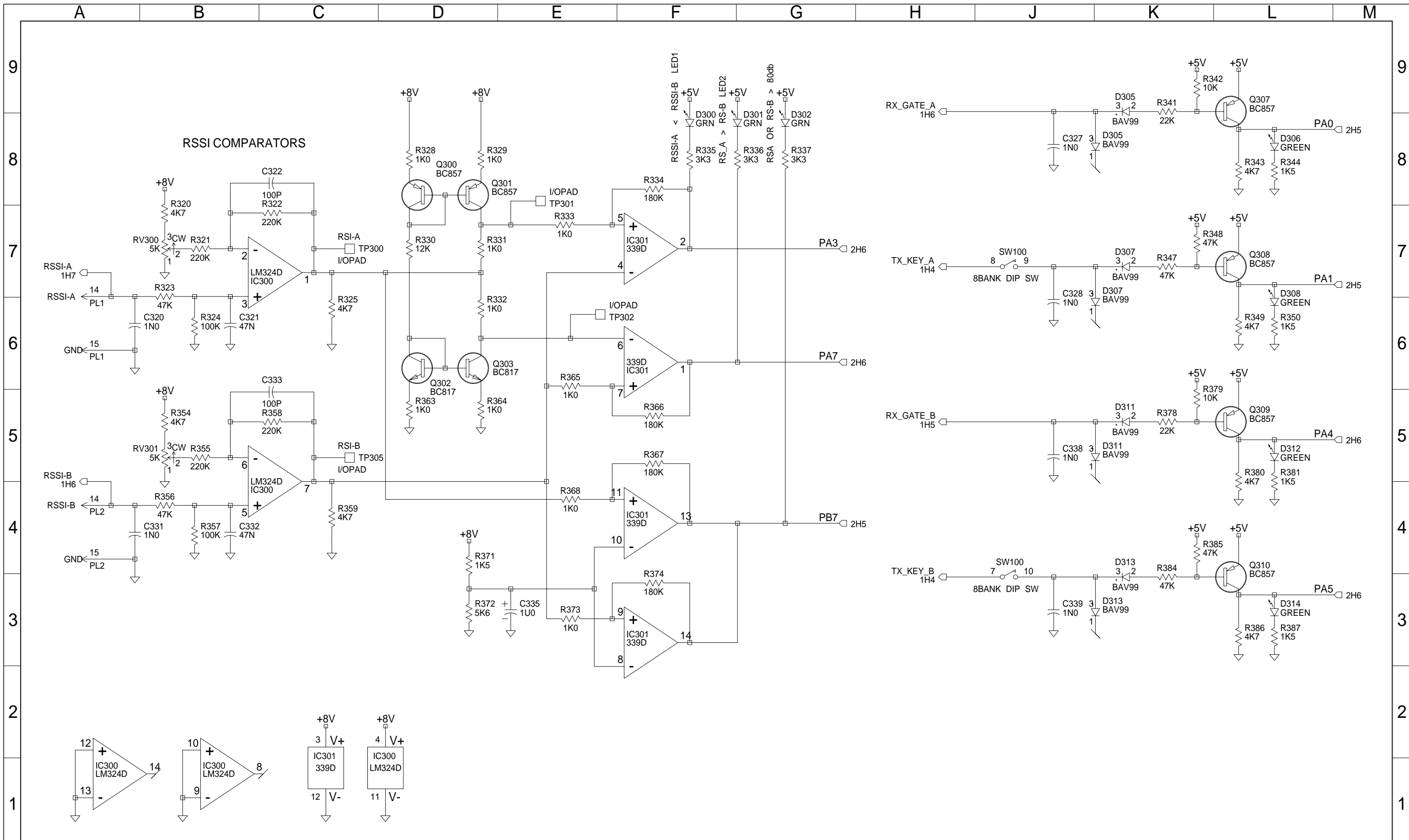
SW201 SETTINGS				
SW1	SW2	SW3	MODE1	MODE2
ON	ON	ON	OFF	ON
ON	ON	OFF	ON	MODE3CSE
ON	OFF	ON	OFF	
1-16	SW1			
2-15	SW2			
3-14	SW3			
4-13	NOT USED			
5-12	LINK REV PWR A-B			
6-11	DISABLE FWD ALM B			
7-10	DISABLE FWD ALM A			
5-12	LINK FWD PWR A-B			

SW201  
8BANK DIP SW



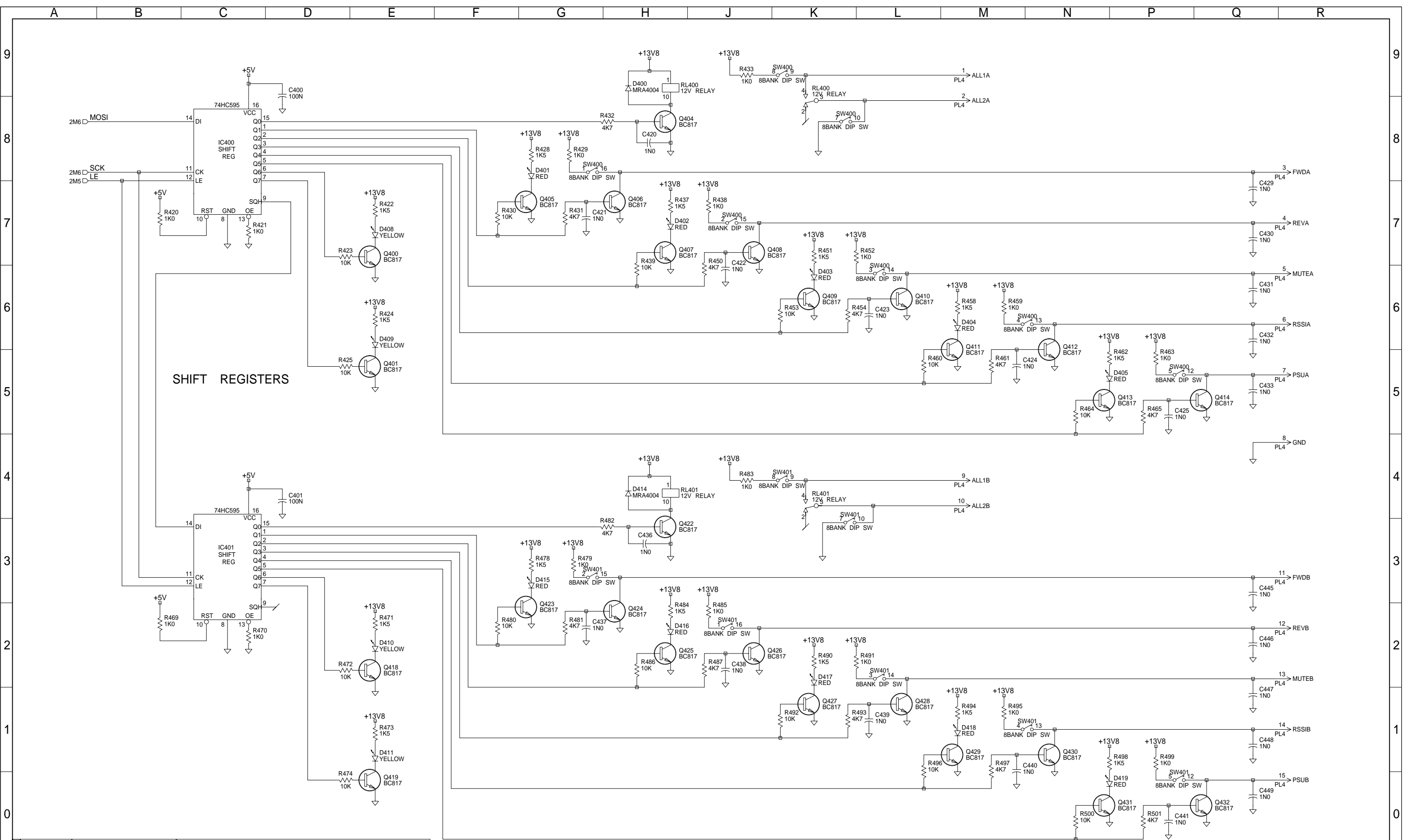
REV/ISS	AMENDMENTS	DRAWN	CHKD	D.O.	APVD	DATE
6A	ECO 770128 MAJOR CHANGES	ADAM.D	H.O	M.HALL	JACKSON	06/04/00
5A	ECO 770212.	M.HALL				
4A	ECO 770176.	TMB	H.O.	M.HALL	JACKSON	09/09/99
3A	MIGRATED TO UNICAD	M.HALL	H.O.	M.HALL	S.CRAGG	20/03/97
2A	CHANGE NOTE TA703-01:12/96:0001	M.HALL	H.O.	M.HALL	S.CRAGG	17/12/96
1A	PCB UPDATE	M.HALL	H.O.	M.HALL	S.CRAGG	07/06/96
P1	PROTOTYPE	M.HALL	H.O.	M.HALL	S.CRAGG	17/05/96

© TAIT ELECTRONICS  
 TA703-01  
 T800 CHANGE-OVER MODULE  
 IPN: 227-70301-06 ISSUE: A ID: 2.SC. 2  
 PROJECT: TA703-01 DESIGNER: H.OVERTOOM FILE NAME: a070316a FILE DATE: 8-Jun-00 NO.SHEETS: 4



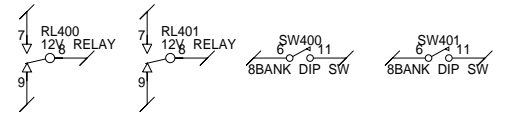
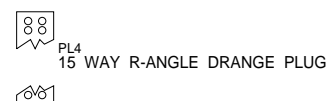
6A	ECO 770128 MAJOR CHANGES	ADAM.D	H.O.	M.HALL	JACKSON	06/04/00
5A	ECO 770212.	M.HALL				
4A	ECO 770176.	TMB	H.O.	M.HALL	JACKSON	09/09/99
3A	MIGRATED TO UNICAD	M.HALL	H.O.	M.HALL	S.CRAGG	20/03/97
2A	CHANGE NOTE TA703-01:12/96:0001	M.HALL	H.O.	M.HALL	S.CRAGG	17/12/96
1A	PCB UPDATE	M.HALL	H.O.	M.HALL	S.CRAGG	07/06/96
P1	PROTOTYPE	M.HALL	H.O.	M.HALL	S.CRAGG	17/05/96
REV/ISS	AMENDMENTS	DRAWN	CHKD	D.O.	APVD	DATE

© TAIT ELECTRONICS  
 TA703-01  
 T800 CHANGE-OVER MODULE  
 IPN: 227-70301-06 ISSUE: A ID: 2.S.C. 3  
 PROJECT: TA703-01 DESIGNER: H.OVERTOOM FILE NAME: a070316a FILE DATE: 2-Jun-00 NO.SHEETS: 4



QTY: 1.0 | IPN: 002-20068-07 | IC MC68HC705C8FN 1-TIME PROG MICRO (MECH PART)

6A	ECO 770128 MAJOR UPDATES	ADAM.D	H.O	M.HALL	JACKSON	06/04/00
5A	ECO 770212.	M.HALL				
4A	ECO 770176.	TMB	H.O.	M.HALL	JACKSON	09/09/99
3A	MIGRATED TO UNICAD	M.HALL	H.O.	M.HALL	S.CRAGG	20/03/97
2A	CHANGE NOTE TA703-01:12/96:0001	M.HALL	H.O.	M.HALL	S.CRAGG	17/12/96
1A	PCB UPDATE	M.HALL	H.O.	M.HALL	S.CRAGG	07/06/96
P1	PROTOTYPE	M.HALL	H.O.	M.HALL	S.CRAGG	17/05/96
REV/ISS	AMENDMENTS	DRAWN	CHKD	D.O.	APVD	DATE



© TAIT ELECTRONICS  
 TA703-01  
 T800 CHANGE-OVER MODULE  
 IPN: 227-70301-06 | ISSUE: A | ID: 2.SC. 4  
 PROJECT: TA703-01 | DESIGNER: H.OVERTOOM | FILE NAME: a070316a | FILE DATE: 2-Jun-00 | NO.SHEETS: 4