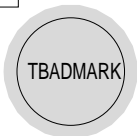
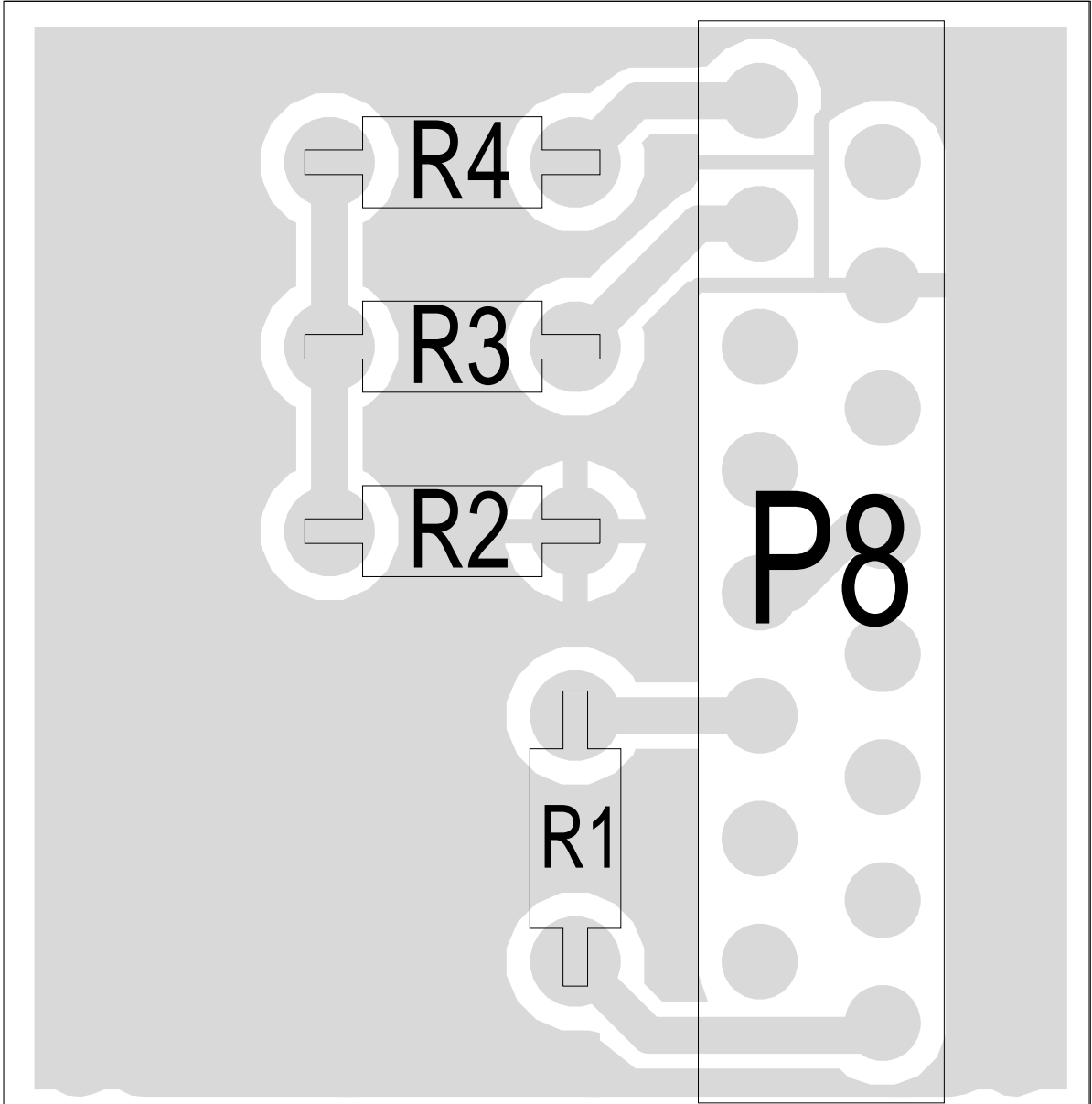


© TAIT ELECTRONICS
 TA1313-01
 T2000 CONTROL HEAD ADAPTER

PROJECT:	DESIGNER:	FILE NAME:	FILE DATE:	NO.SHEETS:
TA1313	M.HALL	A131312A	14/09/98	1

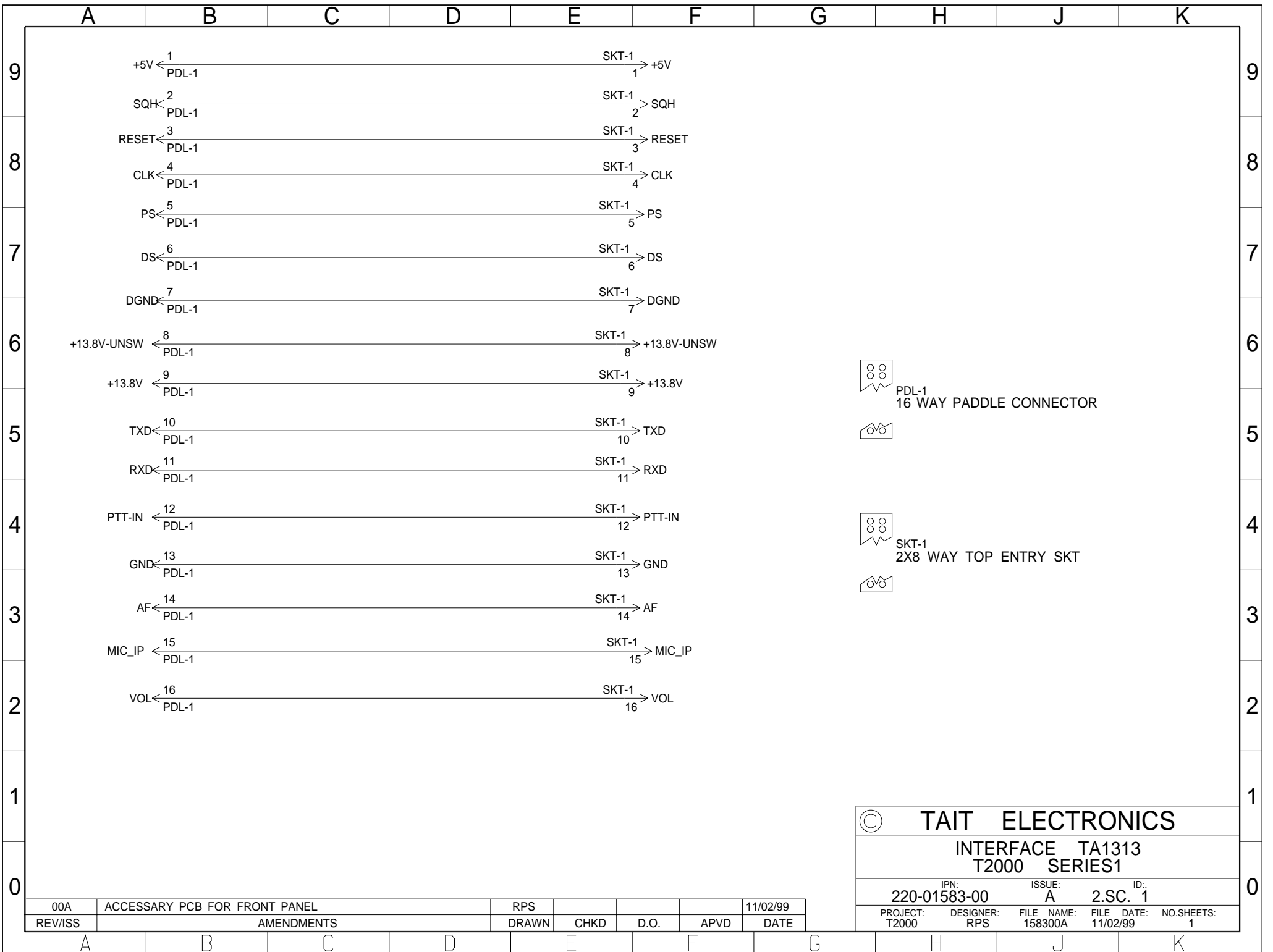
IPN: 228-1313-02 ISSUE: A ID: 2.SC. 1

REV/ISS	AMENDMENTS	DRAWN	CHKD	D.O.	APVD	DATE
2A	CORRECTED SILKSCREEN.	M.HALL				
1A	PRODUCTION VERSION	M.HALL	M.HALL	M.HALL	I.MCKEE	10/09/98
P1	PROTOTYPE	M.HALL	M.HALL	M.HALL	S.CRAGG	22/08/96



BADMARK

TAIT ELECTRONICS	IPN: 228-13131-02	ISS: A	ID: 1.TA	DATE: 14 Sep 1998
TA1313-01 PCB LAYOUT - TOP SIDE				




 PDL-1
 16 WAY PADDLE CONNECTOR

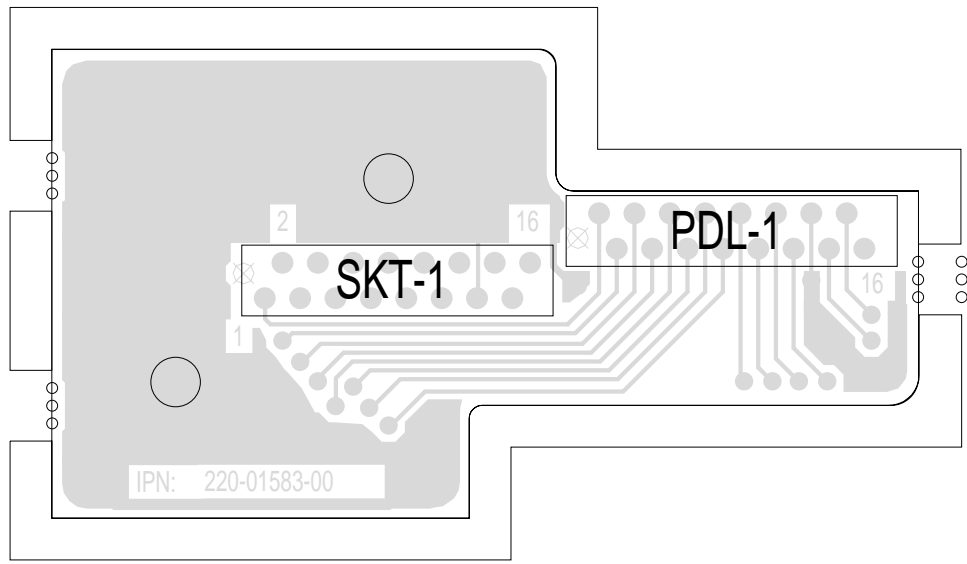



 SKT-1
 2X8 WAY TOP ENTRY SKT

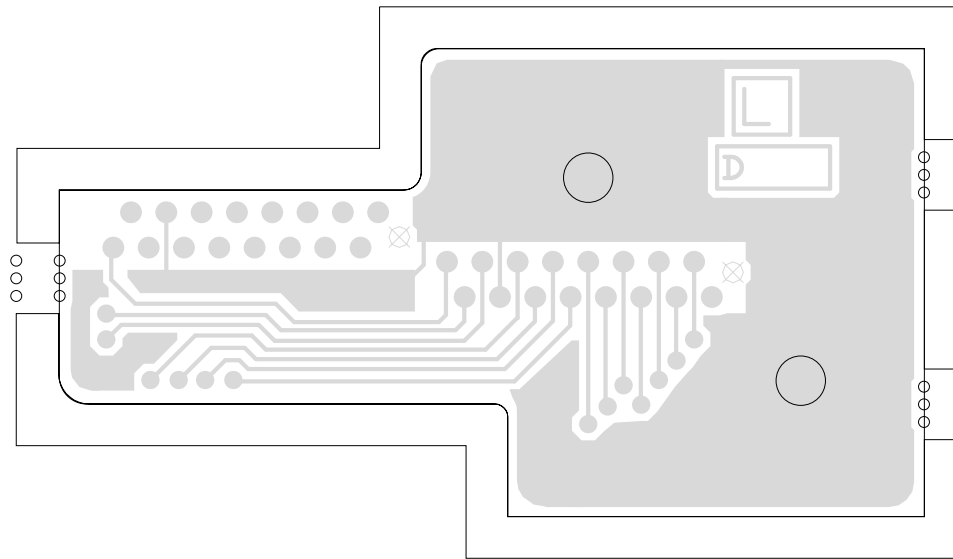


© TAIT ELECTRONICS					
INTERFACE TA1313 T2000 SERIES1					
IPN: 220-01583-00		ISSUE: A		ID.: 2.SC. 1	
PROJECT: T2000	DESIGNER: RPS	FILE NAME: 158300A	FILE DATE: 11/02/99	NO.SHEETS: 1	

00A	ACCESSARY PCB FOR FRONT PANEL	RPS				11/02/99
REV/ISS	AMENDMENTS	DRAWN	CHKD	D.O.	APVD	DATE



TAIT ELECTRONICS	IPN: 220-01583-00	ISS: A	ID: 1.TA	DATE: 15 Feb 1999
158300A PCB LAYOUT - TOP SIDE				



TAIT ELECTRONICS	IPN: 220-01583-00	ISS: A	ID: 2.BA	DATE: 15 Feb 1999
158300A PCB LAYOUT - BOTTOM SIDE				