

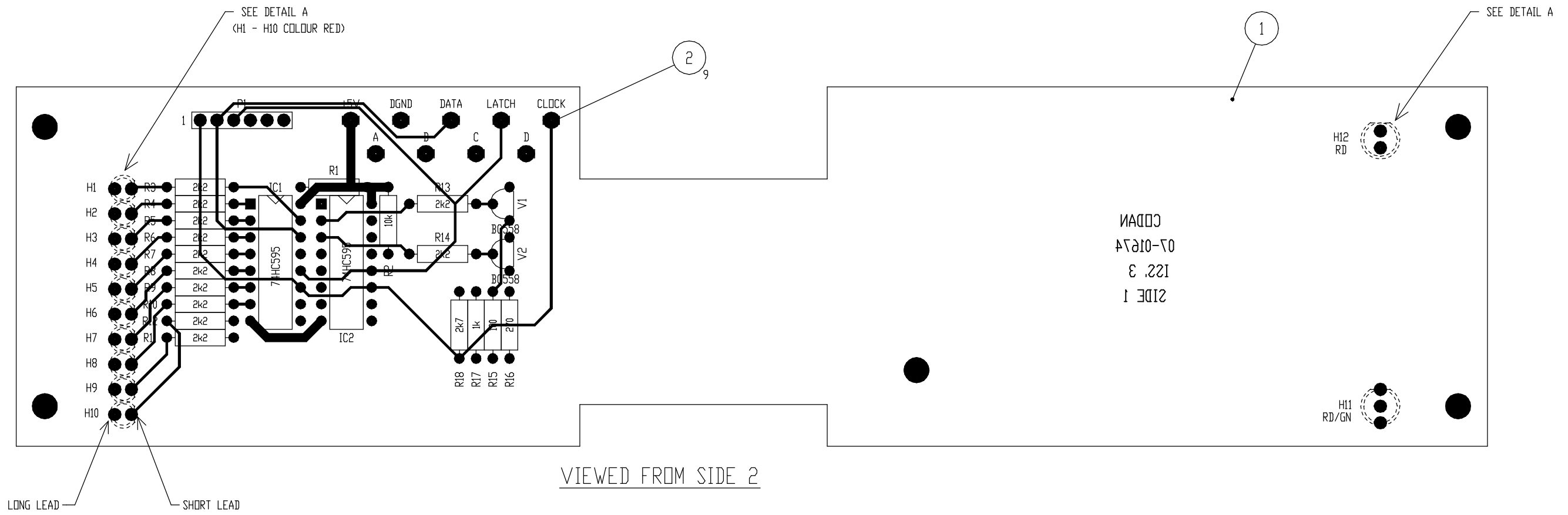
DO NOT SCALE

CHANGE REQUEST
 ISSUE B
 C/R 23906
 BOARD OUTLINE
 CHANGED.
 R15, R16 & R17
 MOVED.
 CAH 31/3/94

ISSUE 2
 C/R 24009
 R18 ADDED.
 ITEM 3 ADDED
 CAH 5/12/94

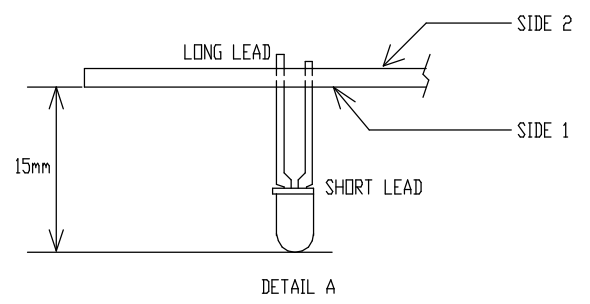
ISSUE 3
 COMPONENT VALUES
 ADDED.
 C/R 24413
 CM 29-01-96

ISSUE 4
 ITEM3 DELETED,
 NOTE 1 ADDED.
 C/R 25425
 17-6-98 SD



NOTES

1. USE JIG 75-80306 FOR FITTING LED'S



REMOVE ALL BURRS & SHARP EDGES

FILE No.
 08\05073_4.DWG

	SCALE 1:1		© CODAN PTY LTD, A.C.N. 007 590 605 1995 TITLE DISPLAY PCB ASSEMBLY	
	DRN	C G	DATE	
MATERIAL	CHKD	CAH	18-2-94	
	APPD	C.M	2-6-94	
FINISH	TOLERANCES UNLESS OTHERWISE STATED			DRAWING/DOC NO. 08-05073
	2 PLACES DEC.	±0.25		
	1 PLACE DEC.	±0.5		ISS 4
	0 PLACE DEC.	±1		
	ANGULAR	±2		SHT. 1 OF 1