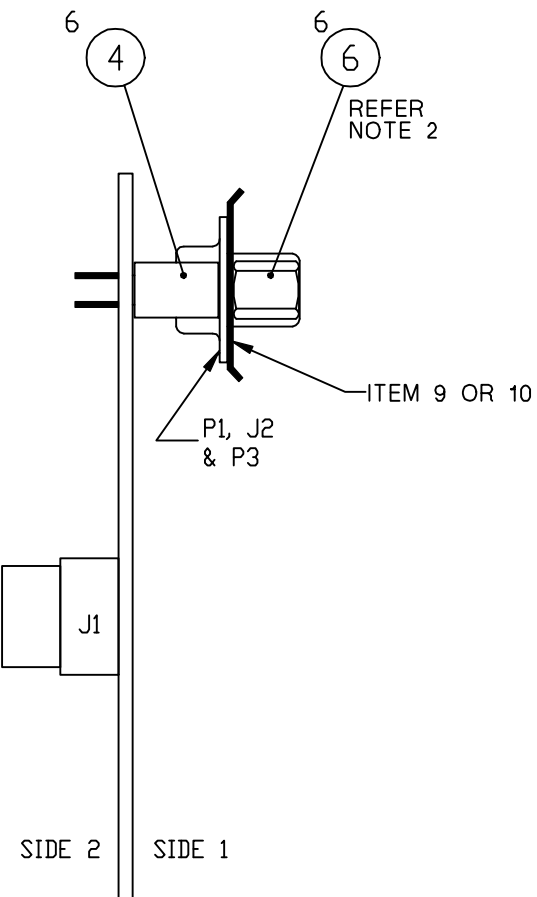


DO NOT SCALE

AVSERTS ON REAR (SIDE 1)

SIDE 2 VIEW

- NOTES:
1. ALL DIODES ARE BAW62 OR EQUIVALENT UNLESS OTHERWISE STATED.
 2. ADD LOCTITE 242 BLUE TO THREAD OF LOCKING SCREWS (ITEM 6) BEFORE ASSEMBLY.



08-05076-

PCB: 07-01675-04
 ASSY P/No. 08-05076-001

FILE No.
 05\05076_7.DWG

	SCALE N/A		© CODAN PTY LTD, A.C.N. 007 590 605: 1999 TITLE USER CONNECTOR PCB ASSEMBLY DRAWING/DOC NO. 08-05076	
	DRN	ILT		DATE 07-02-94
	CHKD	CAH		24-02-94
MATERIAL	APPD	CM	02-06-94	
FINISH	TOLERANCES UNLESS OTHERWISE STATED		A2 ISS 7	
	2 PLACE DEC.	±0.10		
	1 PLACE DEC.	±0.5		
	0 PLACE DEC.	±1	SHT. 1 OF 1	

DIMENSIONS IN mm

ISSUE B	ISSUE 2	ISSUE 3	ISSUE 4	ISSUE 5	ISSUE 6	ISSUE 7
PCB WAS ISSUE 1	NOTE 2 ADDED.	PCB WAS ISSUE 2.	P5 WAS 2 WAY.	C4 & C6 WERE 100u	GASKETS ADDED	GASKET (ITEM 8)
C/R 23864	C/R 24009	C/R 24445	C/R 24820	C/R 25390	C/R 26070	REMOVED.
11-05-94 CM	05-12-95 CAH	15-11-95 CM	06-05-97 BCL	18-06-98 CAE	19-5-99 AJC	CR 26075
						AJC 21-6-99