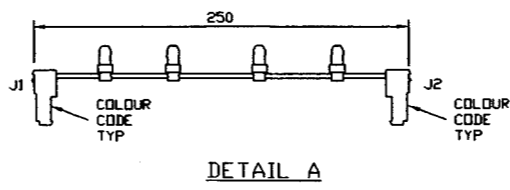
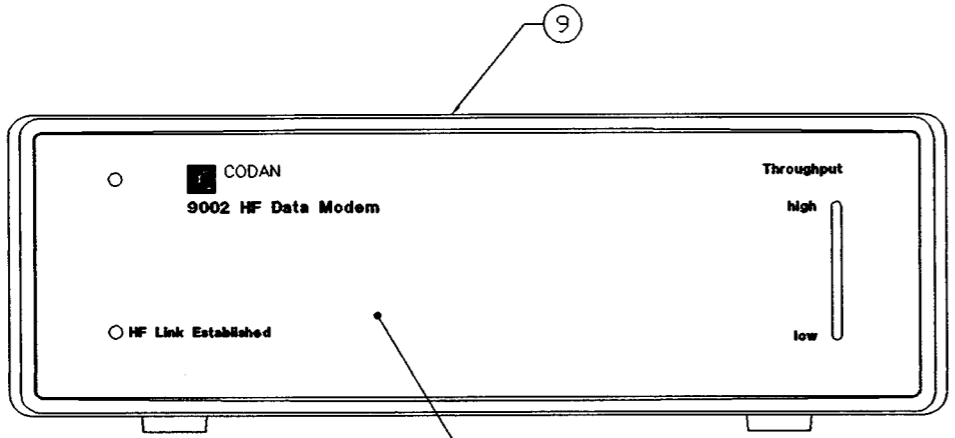
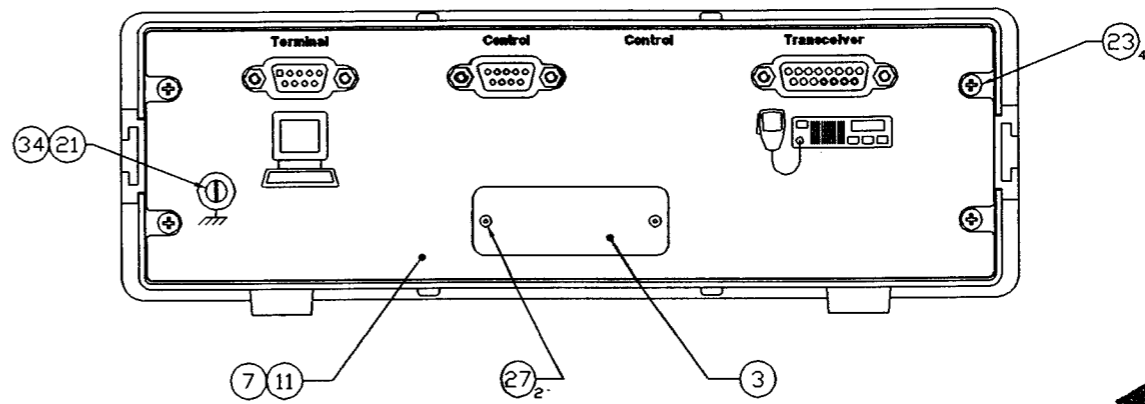
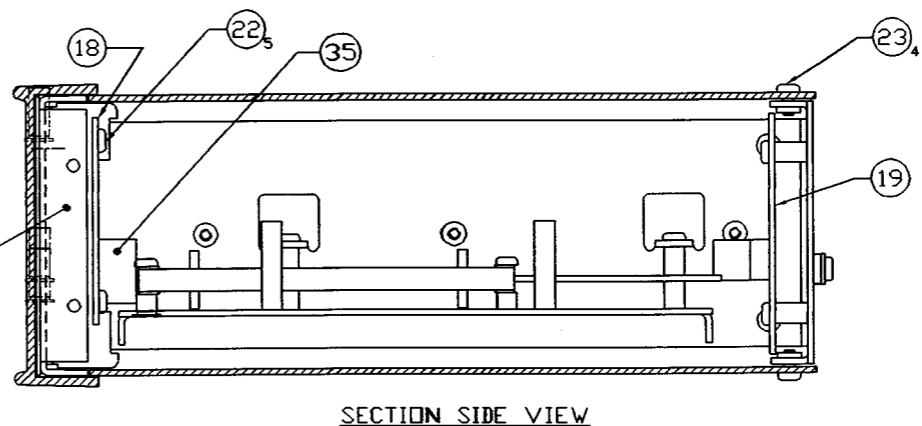
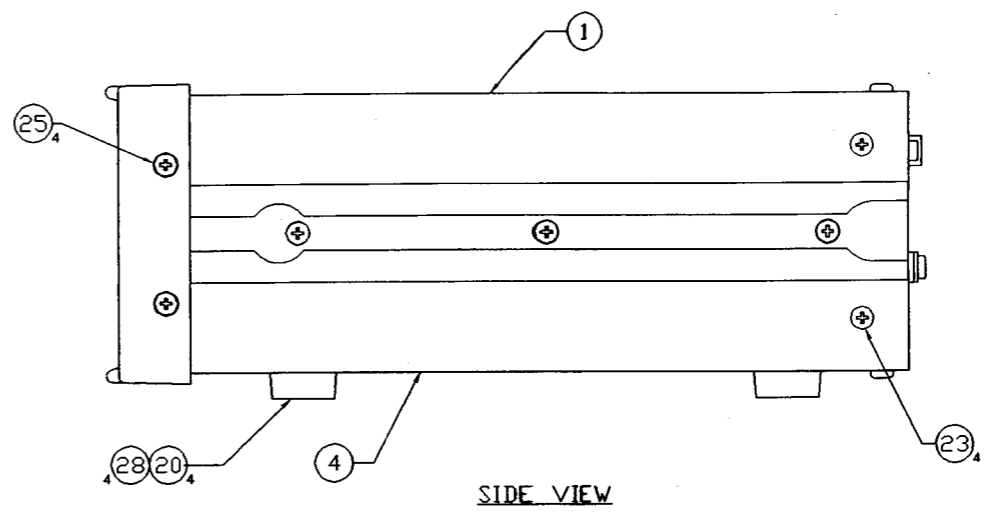
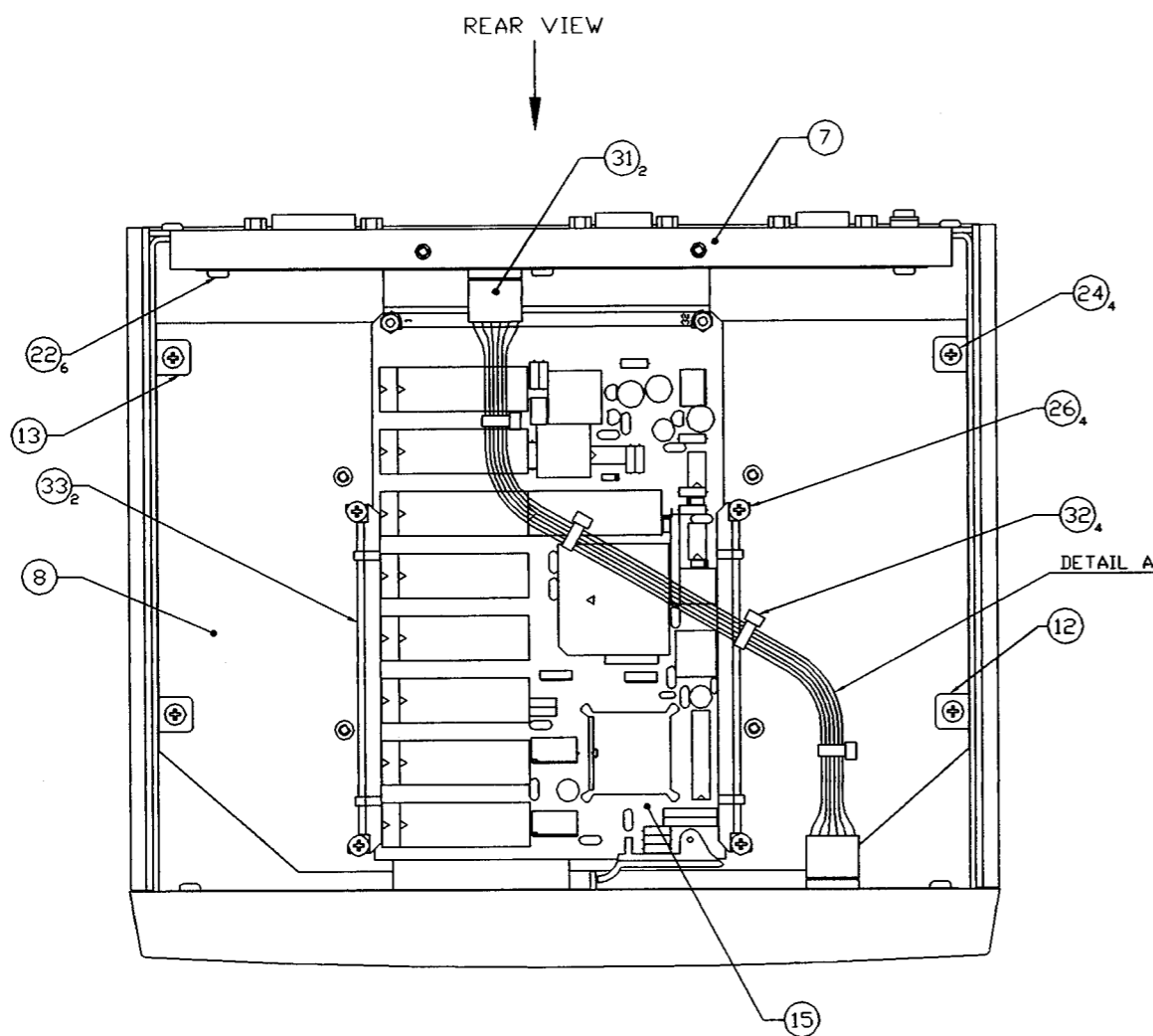


DO NOT SCALE



WIRE	FROM	TO
BROWN	66-03072-001	J1/1 J2/1
RED	-002	/2 /2
ORANGE	-003	/3 /3
YELLOW	-004	/4 /4
GREEN	-005	/5 /5
BLUE	-006	/6 /6

**MASTER** IF NOT IN RED CHECK STATUS

NOTE  
1. ITEMS 6, 36 & 37 SUPPLIED SEPARATELY.

CODAN		SCALE 1:1	© CODAN PTY LTD. A.C.N. 007 590 605 1993
DRN	SBF	DATE 22-2-94	TITLE
CHKD	CAH	9-3-94	9002 HF DATA MODEM
APPD	CM	2-6-94	DRAWING/DOC NO.
TOLERANCES UNLESS OTHERWISE STATED			ISS
2 PLACES DEC. ± 0.25			8
1 PLACE DEC. ± 0.5			
ANGULAR ±			

ISSUE B  
DRAWING MODIFIED TO REFLECT CHANGES TO PART DRAWINGS.  
C/R 23852 V.S. 15-3-94

ISSUE C  
SUPPORT BRACKET (ITEM 6) POSITION CHANGED AND NOTE ADDED TO PLAN VIEW.  
C/R 23843 C.M. 17-3-94

ISSUE D  
NOTE ADDED  
C/R 23906 C.M. 29-3-94

ISSUE 2  
ITEMS 6 & 29 MOVED TO SHT 2  
C/R 23985 22-7-94 CM

ISSUE 3  
NOTE RE BRKT ORIENTATION DELETED.  
REF SHT 2  
C/R 24236 22-5-95 CM

ISSUE 4  
SHT 2 DELETED.  
C/R 24417 1-3-96 CM

ISSUE 5  
GASKETS - ITEMS 38, 39 & 40 ADDED TO REAR VIEW. PEMS ADDED TO ITEM 7. QUANTITY OF ITEM 23 INCREASED FROM 8 TO 12.  
C/R 25901 19-2-99 CAH

ISSUE 6  
3x GASKETS (ITEMS 38, 39 & 40) DELETED.  
C/R 26070 19-5-99 A.J.C.

ISSUE 7  
ITEMS 2 & 25 DELETED AT B9/10.  
C/R 26107 17-6-99 VS

ISSUE 8  
NOTE 1: ITEM 17 DELETED.  
INTRODUCED F/A No. 08-05077-100.  
C/R 26419  
CE 21.12.99

DISC FILE  
13\00617\XAT.DWG