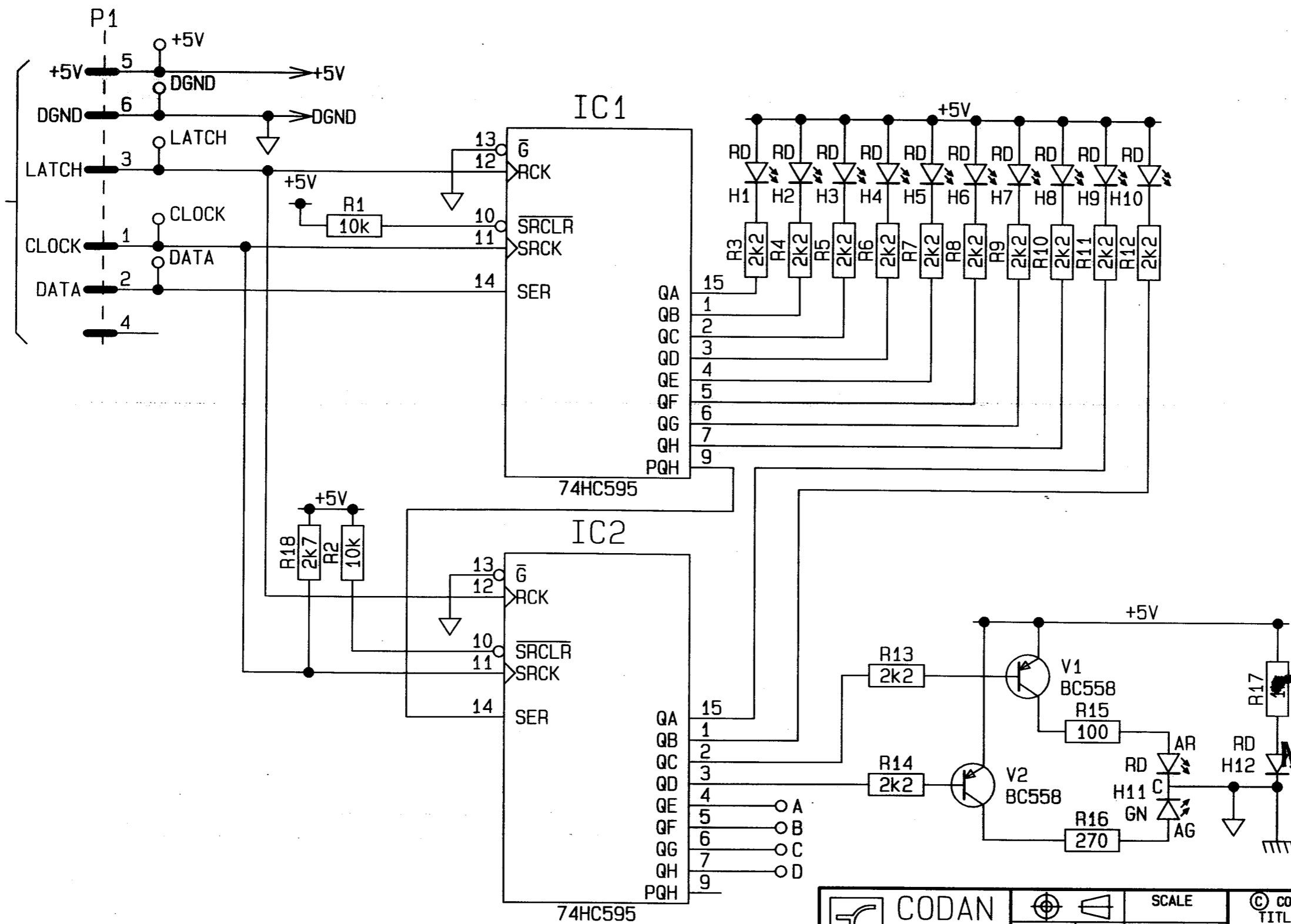


ISSUE 2:
C/R 24009
R18 (2k7) ADDED.
CAH 5/12/94



	DGND	+5V
IC1	8	16
IC2	8	16

PCB 07-01674
ASSY 08-05073-001

IF NOT IN RED
CHECK STATUS



DISC FILE
3027-2.EXE

	DRN	C G	SCALE	© CODAN PTY. LTD. A.C.N. 007 590 605, 1994 TITLE DISPLAY PCB
	DATE	27-1-94		
	CHKD	CAH	18/3/94	
MATERIAL	APPD	CAH	3/6/94	DRAWING/DOC. NO 04-03027
FINISH	TOLERANCES UNLESS OTHERWISE STATED 2 PLACES DEC. ± 1 PLACE DEC. ± ANGULAR ±			
ISS			A3	SHT 1 OF 1
2				