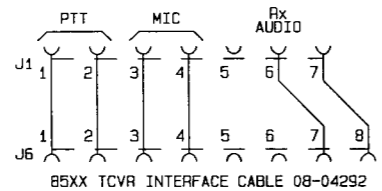
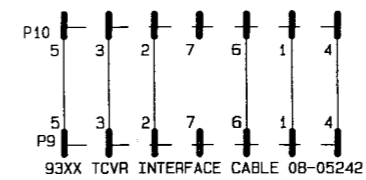


7727 OR 6801 TCVR INTERFACE CABLE 08-04291



85XX TCVR INTERFACE CABLE 08-04292



93XX TCVR INTERFACE CABLE 08-05242

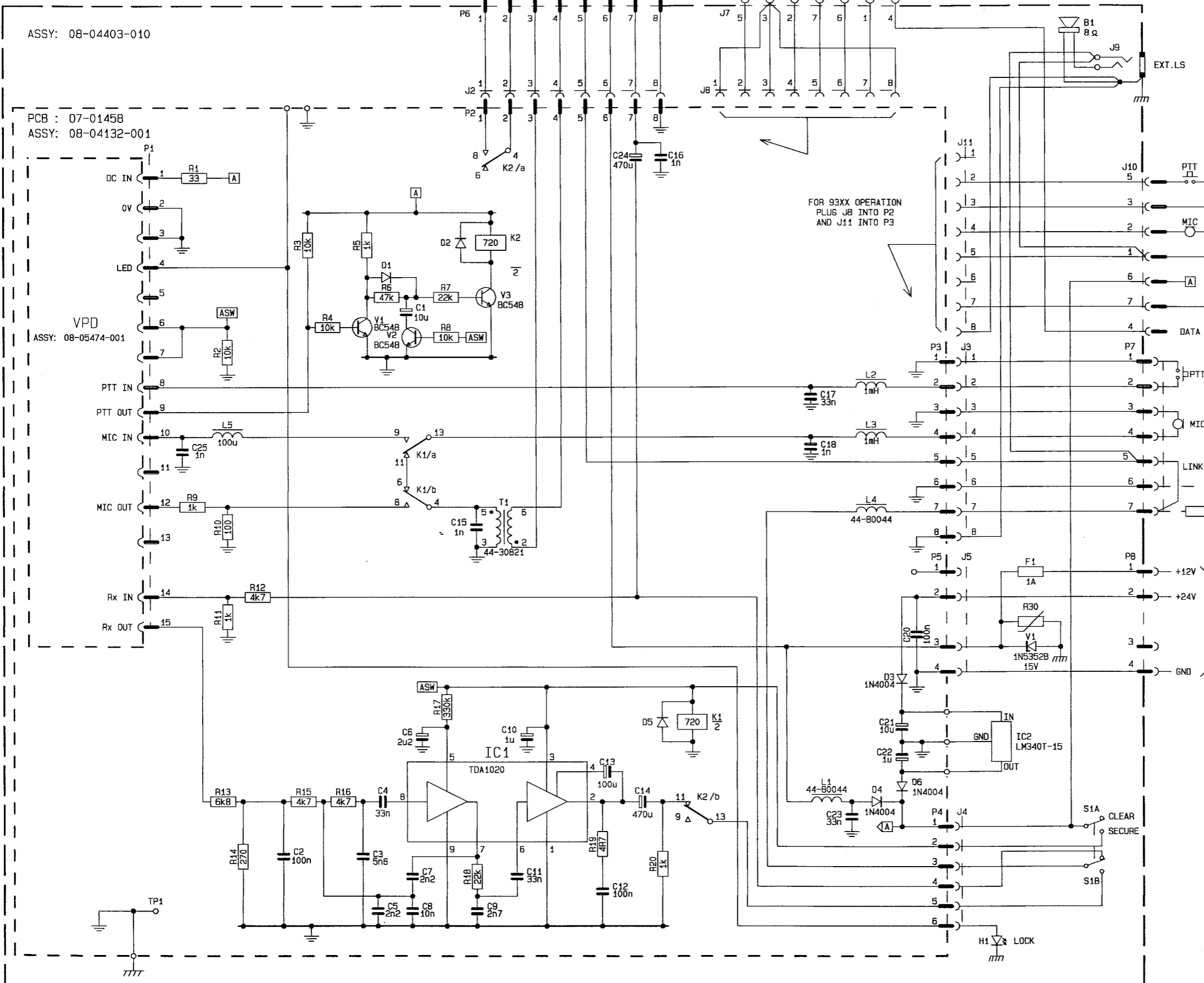
TO 85XX SERIES TRANSCEIVER

TO 93XX SERIES TRANSCEIVER

ASSY: 08-04403-010

PCB : 07-01458
ASSY: 08-04132-001

VPD
ASSY: 08-05474-001



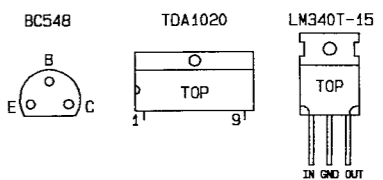
FOR 93XX OPERATION
PLUG J8 INTO P2
AND J11 INTO P3

93XX SERIES
MICROPHONE I/P

85XX SERIES
MICROPHONE I/P

MASTER

IF NOT IN RED
CHECK STATUS



ALL DEVICES BASE VIEW, UNLESS OTHERWISE STATED.

- NOTES:
1. DIODES ARE 1N4004, OR EQUIVALENT, UNLESS OTHERWISE STATED.
 2. [A] CONTROL VOLTAGES.
[A] ORIGIN OF CONTROL VOLTAGES.

ISSUE CHANGE
ISSUE 2
C/R 22468
L5 & C25 ADDED.
1-8-90. MJS
ISSUE 3:
C/R 24438
L00MS (08-05233
& 08-05234) TO
93XX SERIES
TXCVR ADDED.
CM 30-11-95
ISSUE 4
ASSY WAS
08-04404-001
AMJ 05-03-96
ISSUE 5
R30 ADDED
VPD, 08- ADDED
C/R 25176
16-12-97 RCM

FILE NAME
04\02727_5.SCH

CODAN		SCALE	© CODAN PTY. LTD. A.C.N. 007 550 605, 1989	
DRN	MJS	DATE	TITLE	
CHKD	MJS	7-8-89	DIGITAL SCRAMBLER	
APPD		3-5-90	DRAWING/DOC. NO	
FINISH	TOLERANCES UNLESS OTHERWISE STATED		A1 04-02727	
	2 PLACES DEC. ±		ISS	SHT 1
	1 PLACE DEC. ±		5	OF 1
	ANGULAR ±			