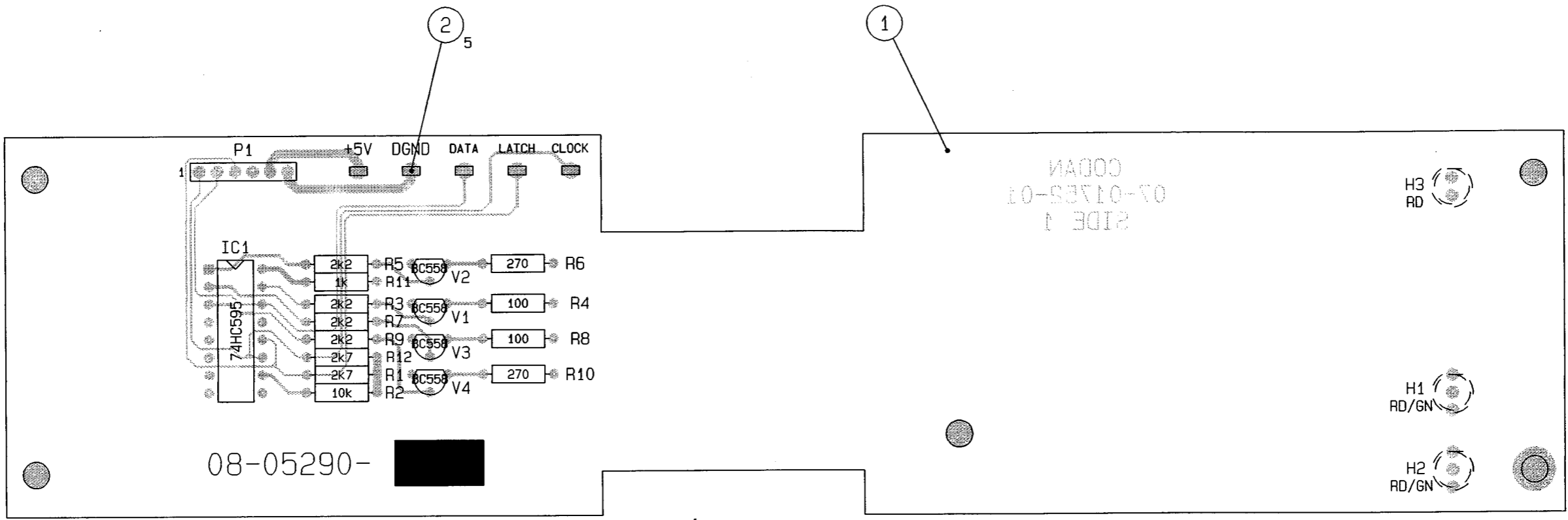


ISSUE CHANGE  
 ISSUE B  
 ITEM 3 REMOVED.  
 PCB WAS ISS A.  
 C/R 25001  
 29-04-97 CAH  
 ISSUE 2:  
 C/R 25350  
 NOTE 1 ADDED.  
 CE 25-6-98



08-05290- [REDACTED]

CODAN  
 07-01752-01  
 SIDE 1

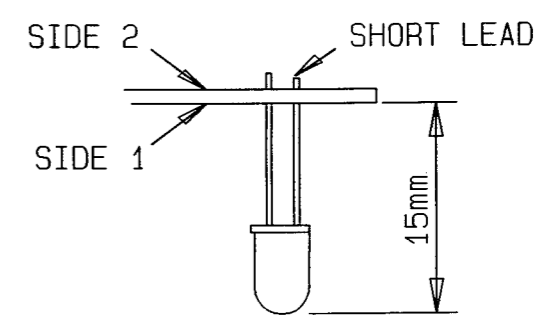
H3  
 RD

H1  
 RD/GN

H2  
 RD/GN

DETAIL A

VIEWED FROM SIDE 2



DETAIL A

NOTE:  
 1. USE JIG 75-80306 FOR FITTING LEDS (H1-H3).

PCB 07-01752-01  
 ASSY P/No. 08-05290-001

FILE NAME  
 07\01752\_1

	CODAN IF NOT IN PREVIOUS STATUS CHECKS	SCALE 2:1	© CODAN PTY LTD. A.C.N. 007 590 605. 1996
	DATE 03-06-96	DISPLAY PCB ASSEMBLY	
	CHKD. CAH 12-02-97 APPD. CAH 29-04-97	DRAWING/DOC No. 08-05290	
FINISH	TOLERANCES UNLESS OTHERWISE STATED 2 PLACES DEC ± 1 PLACE DEC ± ANGULAR ±	A2	ISS AC A B A 2 SHT 1 OF 1

MASTER