

DO NOT SCALE

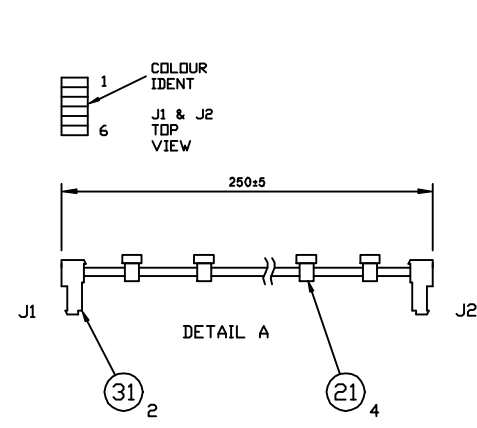
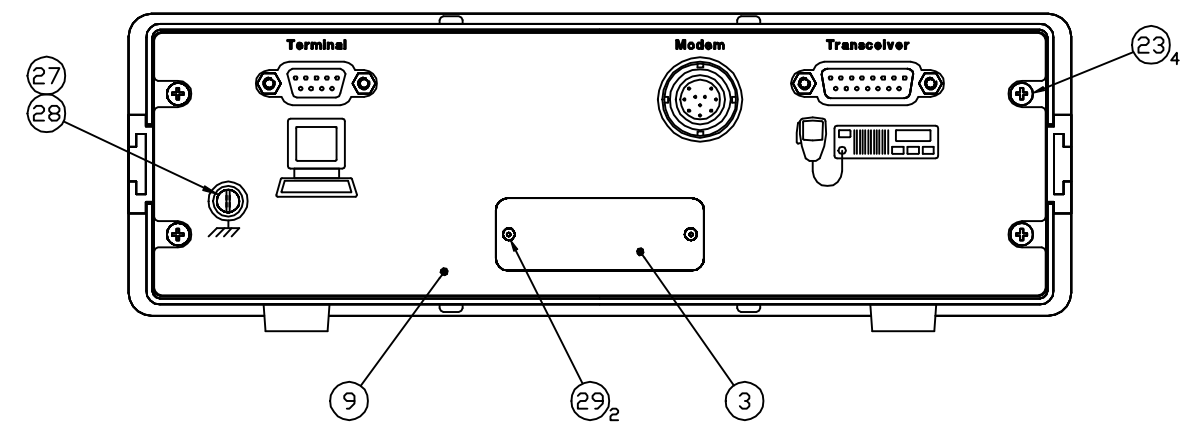
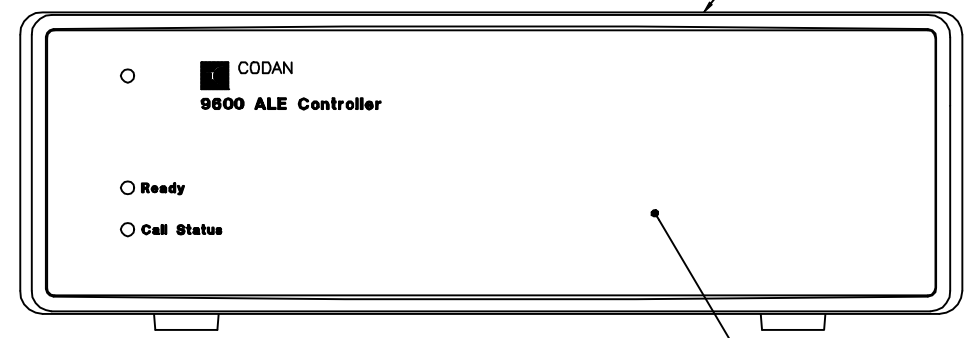
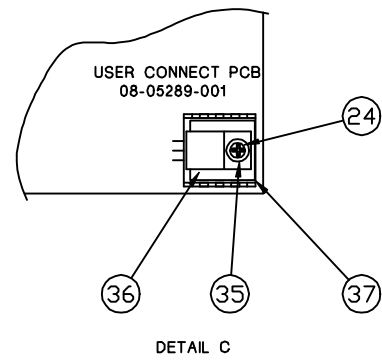
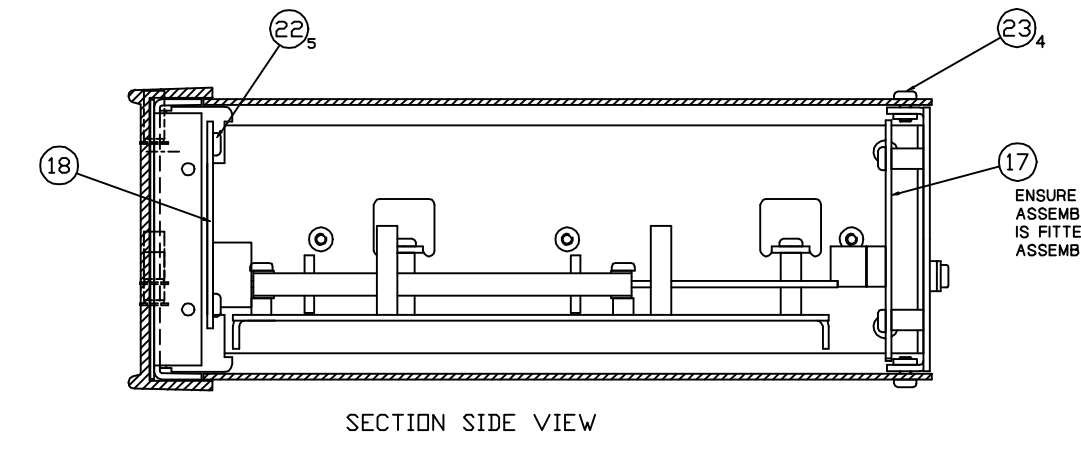
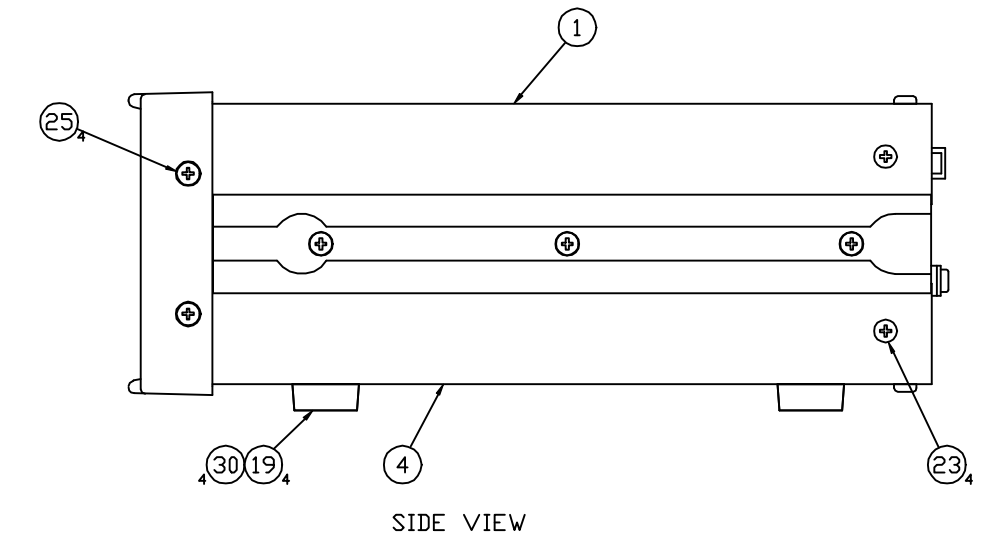
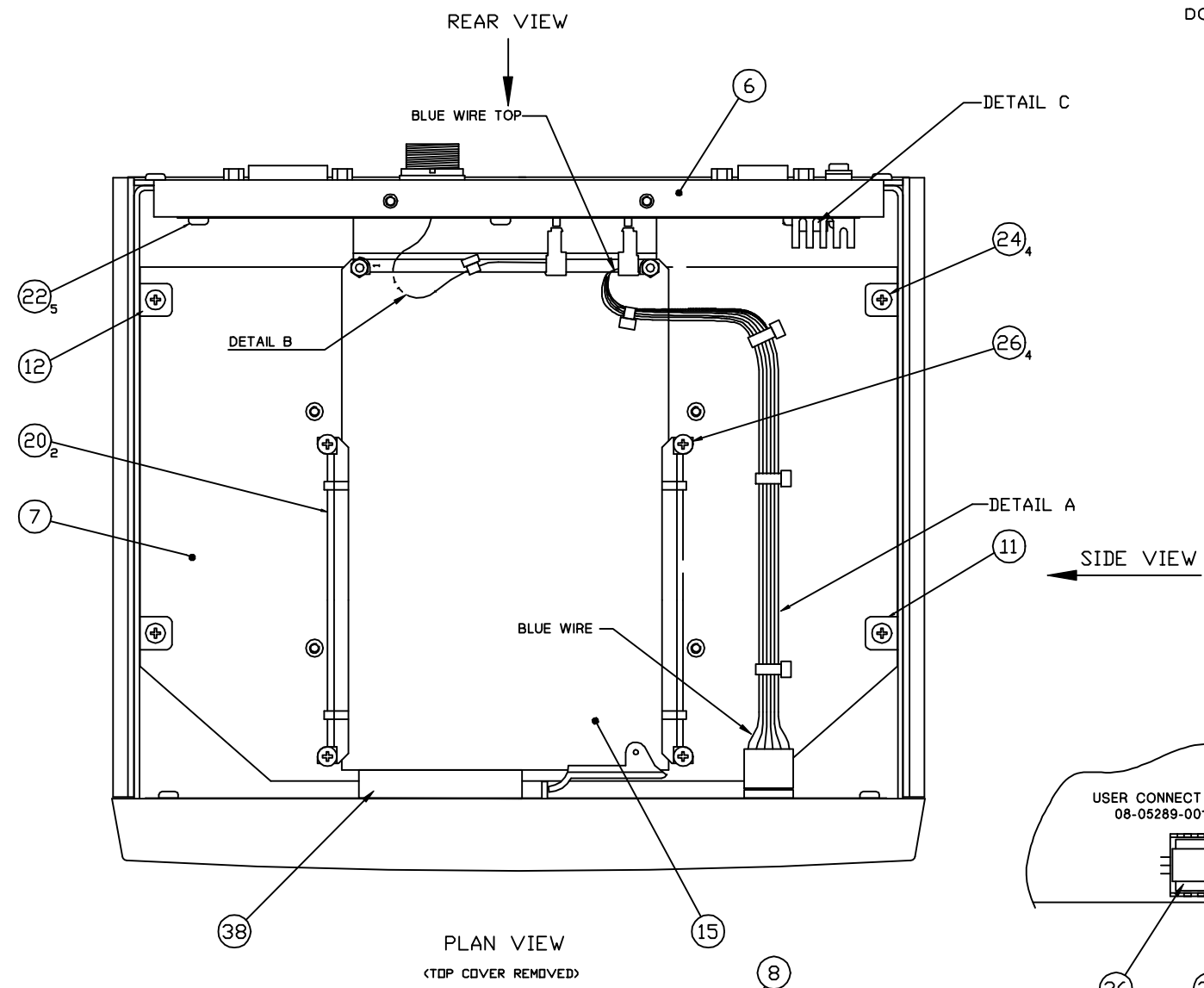
ISSUE B
 DETAIL C ADDED.
 ITEM 38 ADDED.
 ITEM 31 WAS 21
 ITEM 34 WAS 31
 ITEM 21 WAS 17
 BLUE WIRE NOTE
 ADDED (3B)
 ITEM 22 QTY
 WAS 6.
 C/R 25001
 29-04-97 CAH

ISSUE 2
 NOTE ADDED TO
 ITEM 17.
 C/R 25210
 18-12-97 CAH

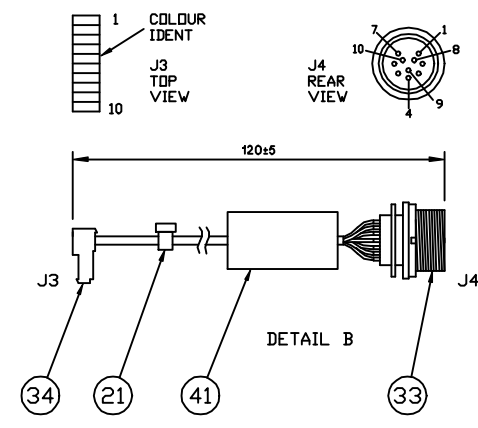
ISSUE 3
 ITEMS 39,40&41 ADDED.
 PEMS ADDED TO ITEM 6.
 QUANTITY OF ITEM 23
 INCREASED FROM 8 TO 12
 C/R 25928
 19-2-99 CAH

ISSUE 4
 2xGASKETS (ITEMS 39 &
 40) DELETED.
 C/R 26070
 19-5-99 AJC

ISSUE 5
 ITEMS 2 & 25 DELETED
 AT 09/10.
 C/R 26107
 17-6-99 VS



DETAIL A			
WIRE		FROM J1	TO J2
BROWN	66-02072-001	PIN 1	PIN 1
RED	-002	PIN 2	PIN 2
ORANGE	-003	PIN 3	PIN 3
YELLOW	-004	PIN 4	PIN 4
GREEN	-005	PIN 5	PIN 5
BLUE	-006	PIN 6	PIN 6



DETAIL B			
WIRE		FROM J3	TO J4
BROWN	66-02072-001	PIN 1	PIN 1
RED	-002	PIN 2	PIN 2
ORANGE	-003	PIN 3	PIN 3
YELLOW	-004	PIN 4	PIN 4
GREEN	-005	PIN 5	PIN 5
BLUE	-006	PIN 6	PIN 6
VIOLET	-007	PIN 7	PIN 7
SLATE	-008	PIN 8	PIN 8
WHITE	-009	PIN 9	PIN 9
PINK	-010	PIN 10	PIN 10

	DRN	AML	SCALE 1:1	© CODAN PTY LTD, A.C.N. 007 590 606: 1996
	CHKD	CAH	DATE 06-06-96	TITLE
MATERIAL	APPD	CAH	29-04-97	9600 ALE CONTROLLER FINAL ASSEMBLY
FINISH	TOLERANCES UNLESS OTHERWISE STATED			DRAWING/DOC NO.
	2 PLACES DEC. ±0.5			A1 08-05293
	1 PLACE DEC. ±1			ISS 5
	0 PLACE DEC. ±2*			ANGULAR
				SHT. 1 OF 1

DIMENSIONS IN mm