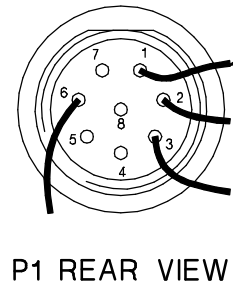
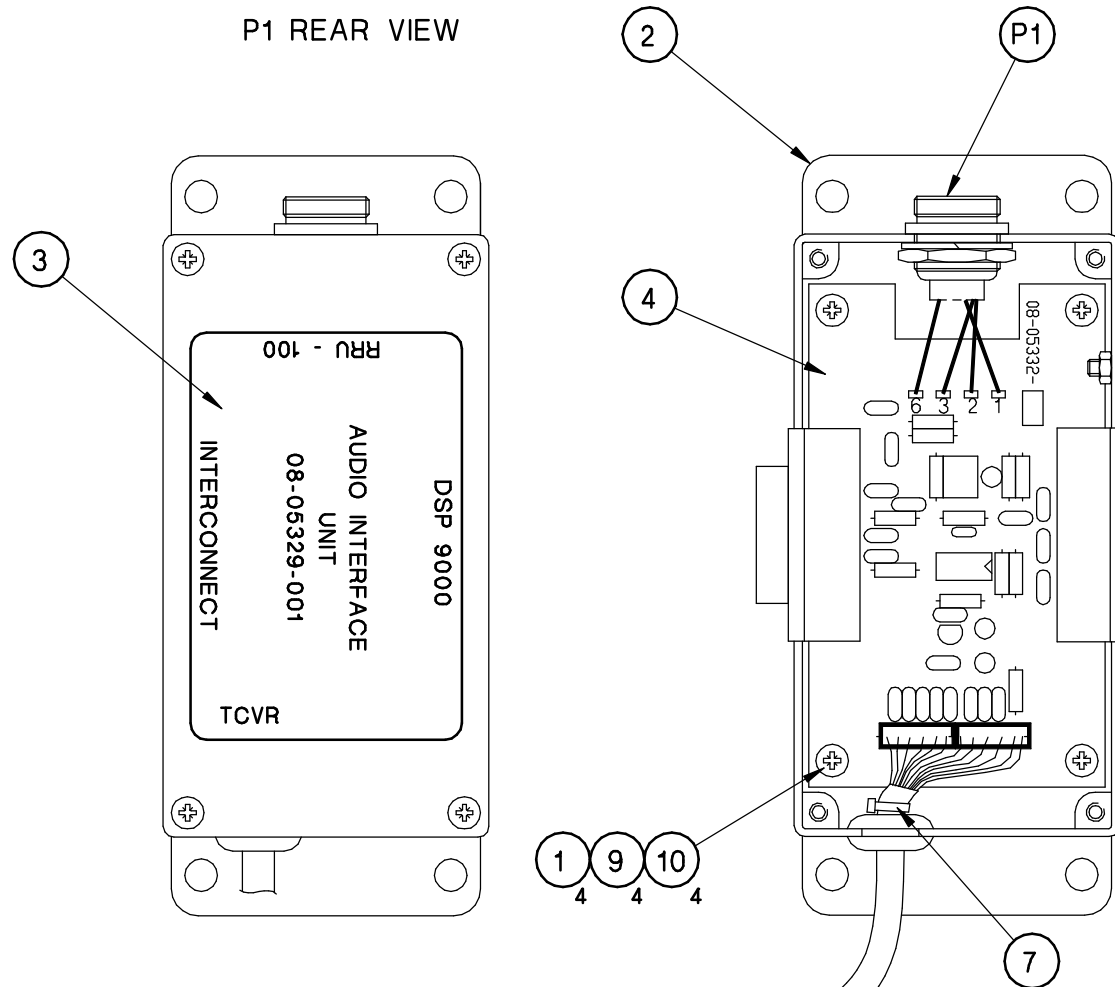


DO NOT SCALE

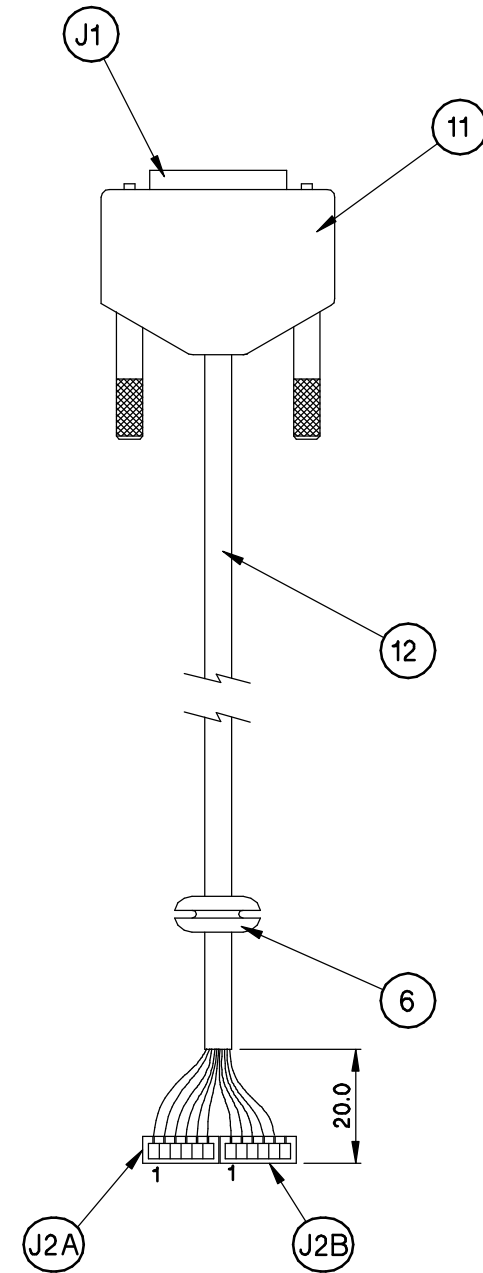


USE HOOKUP WIRE
7/0.2 (ANY COLOUR)
AS REQUIRED.



REFER DETAIL A

P/No 08-05329-001 AS SHOWN



WIRE	J1	J2A	J2B
BROWN	9	1	
RED	14	2	
ORANGE	7	3	
YELLOW	5	4	
GREEN	8	5	
BLUE	4	6	
VIOLET	10		1
SLATE	12		2
WHITE	11		3
BLACK	2		4
PINK	15		5

DETAIL A

ISSUE B
ITEM 7 WAS ON
THE RHS.
C/R 24829
JFB 13-01-97

ISSUE 2
DETAIL ON LABEL
CHANGED.
C/R 26425
LDF 18/1/00

FILE No.
08\05329XAR.DWG

		SCALE 1:1	© CODAN PTY LTD, A.C.N. 007 590 605: 1996 TITLE FINAL ASSEMBLY AUDIO INTERFACE UNIT	
	DRN AML	DATE 31-10-96		
MATERIAL	CHKD CE	19-11-96		
	APPD VS	26-05-98	DRAWING/DOC NO.	
FINISH	TOLERANCES UNLESS OTHERWISE STATED 2 PLACES DEC. ±0.25 1 PLACE DEC. ±0.5 0 PLACE DEC. ±1 ANGULAR ±2°		A2	
			ISS 2	SHT. 1 OF 1

DIMENSIONS IN mm