

# KENWOOD

## **Document Copyrights**

Copyright 2006 by Kenwood Corporation. All rights reserved.

No part of this manual may be reproduced, translated, distributed, or transmitted in any form or by any means, electronic, mechanical, photocopying, recording, or otherwise, for any purpose without the prior written permission of Kenwood.

## **Disclaimer**

While every precaution has been taken in the preparation of this manual, Kenwood assumes no responsibility for errors or omissions. Neither is any liability assumed for damages resulting from the use of the information contained herein. Kenwood reserves the right to make changes to any products herein at any time for improvement purposes.

RAPID CHARGER

# BC-20

## SERVICE MANUAL

# KENWOOD

© 2001-7 PRINTED IN JAPAN  
B51-8586-00 (N) 167



---

## CONTENTS

---

<b>CIRCUIT DESCRIPTION .....</b>	<b>2</b>
<b>PARTS LIST .....</b>	<b>2</b>
<b>EXPLODED VIEW .....</b>	<b>2</b>
<b>PC BOARD VIEWS .....</b>	<b>3</b>
<b>CIRCUIT DIAGRAM .....</b>	<b>4</b>
<b>PB-40 (Ni-MH : Standard Battery Pack) .....</b>	<b>5</b>
<b>PB-41 (Ni-MH : Long Life Battery Pack) .....</b>	<b>5</b>
<b>SPECIFICATIONS .....</b>	<b>5</b>

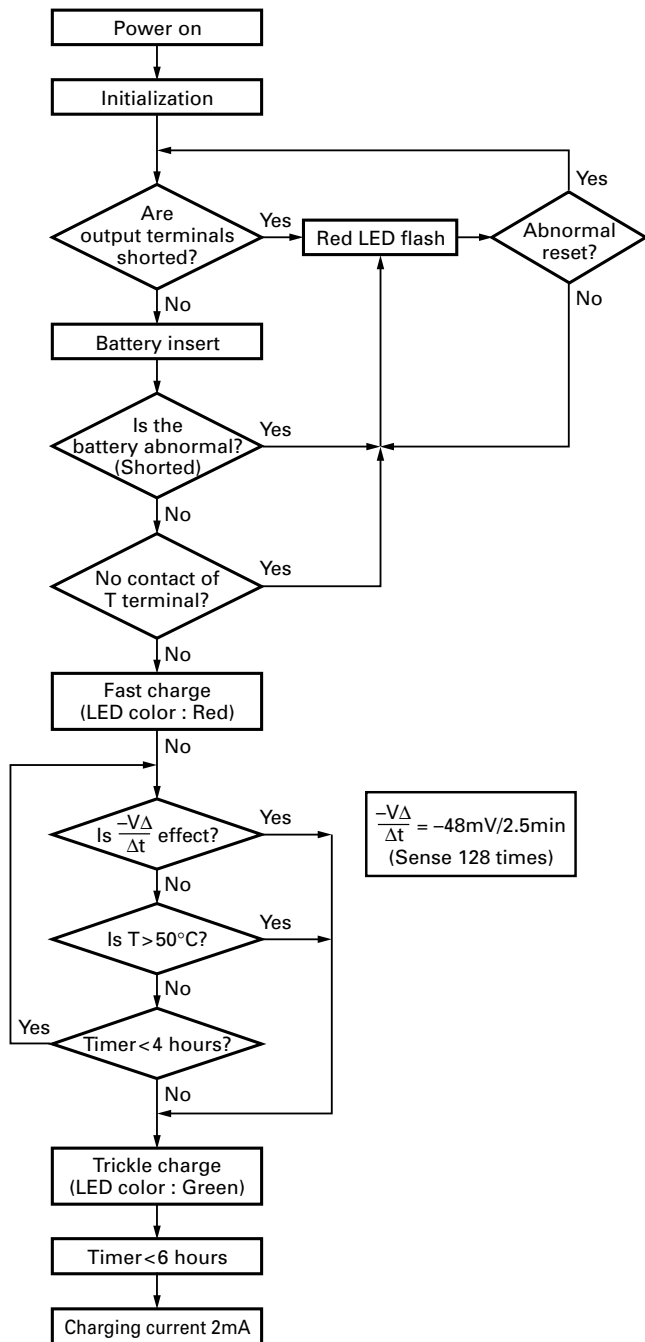
---

# BC-20

## CIRCUIT DESCRIPTION / PARTS LIST / EXPLODED VIEW

### Circuit Description

#### ■ Charger Flow Chart

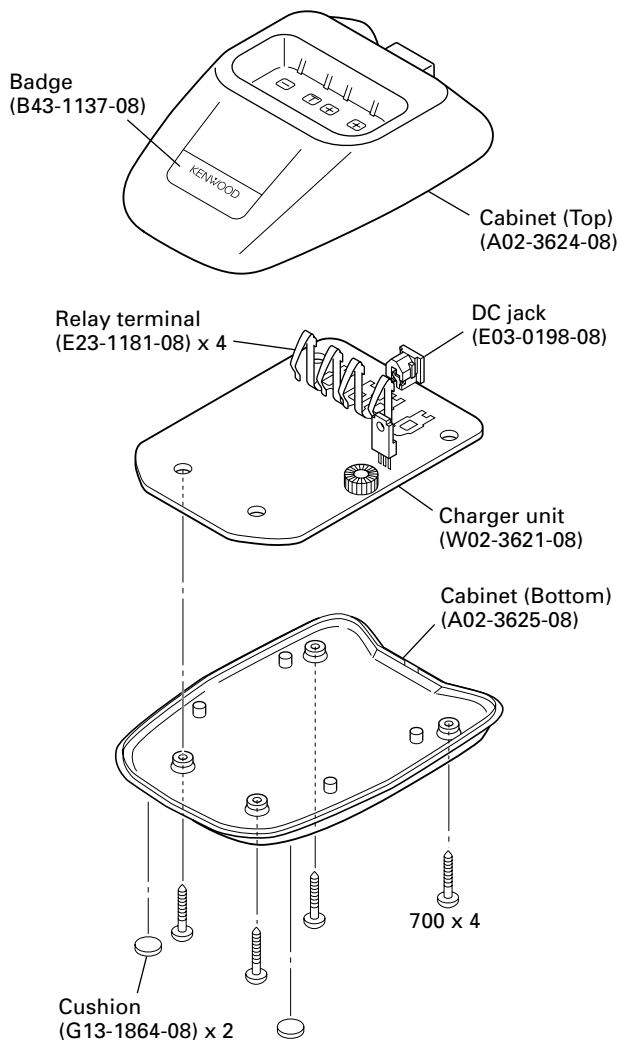


### Parts List

\* : New Parts

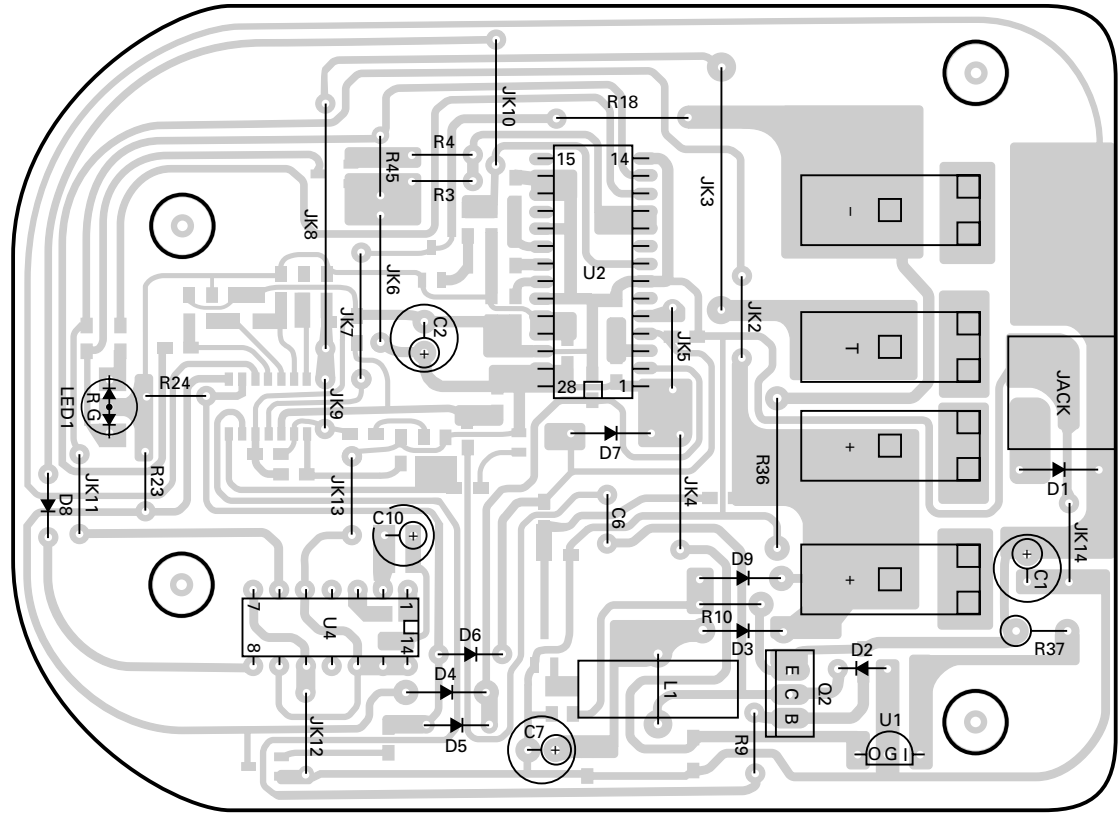
Ref No.	New parts	Parts No.	Description
	*	A02-3624-08	Cabinet Top
	*	A02-3625-08	Cabinet Bottom
	*	B43-1137-08	Badge
	*	B62-1461-00	Instruction manual ENG, FRA
	*	B62-1568-00	Instruction manual SPA, GER
	*	B62-1569-00	Instruction manual ITA, DUT
	*	E03-0198-08	DC jack
	*	E23-1181-08	Relay terminal
	*	G13-1864-08	Cushion
	*	W02-3621-08	Charger unit
	*	W08-0924-05	AC adapter AC 230V, 50Hz

### Exploded View

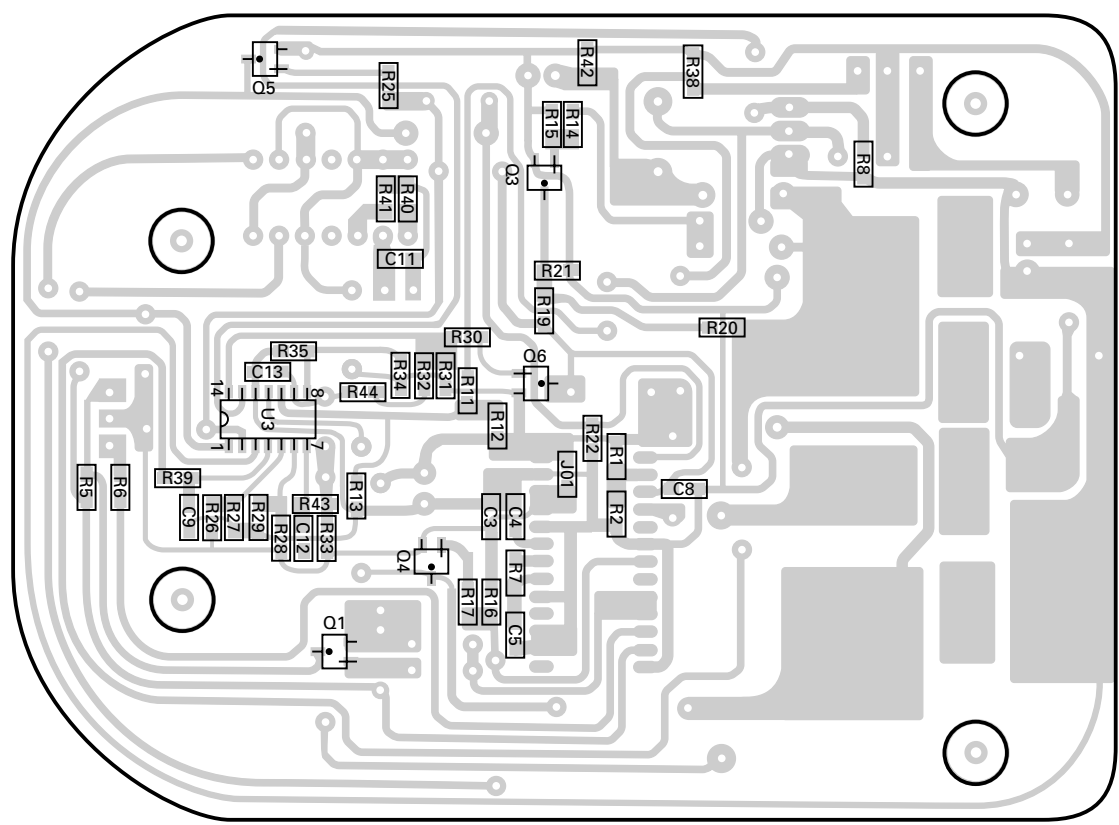


## PC BOARD VIEWS

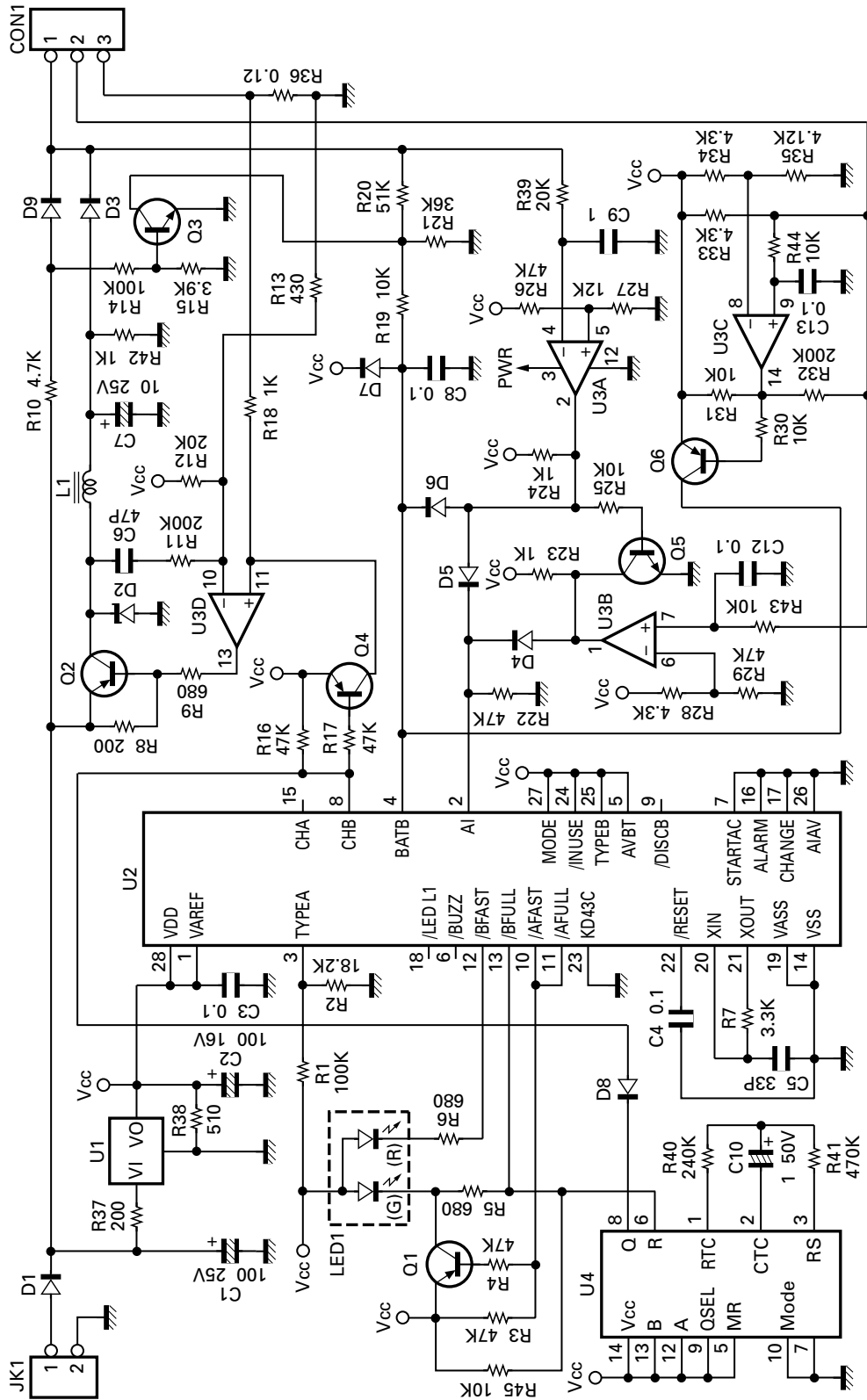
### CHARGER UNIT (W02-3621-08) Component side view



### CHARGER UNIT (W02-3621-08) Foil side view



## CIRCUIT DIAGRAMS



D1,3 : 1N4002  
 D2 : 1N5819  
 D4~9 : 1N4148  
 LED1 : LT03062-DT-D063

Q1,4,6 : 2SA1015  
 Q2 : 2SA1757  
 Q3,5 : 2SC945

U1 : LM78L05  
 U2 : CG602L  
 U3 : LM339  
 U4 : HEF4541

## PB-40 (Ni-MH : Standard Battery Pack) / PB-41 (Ni-MH : Long Life Battery Pack) / SPECIFICATIONS

### PB-40

#### ■ External View



### Specifications

Dimensions (W x H x D) ..... Appox. 95 x 46 x 126 mm

Weight (Charger only) ..... Apptox. 126g

#### ■ Specifications

Voltage ..... 7.2V

Battery capacity ..... 600mAh

Charging time ..... Approx. 60 minutes

### PB-41

#### ■ External View



#### ■ Specifications

Voltage ..... 7.2V

Battery capacity ..... 1000mAh

Charging time ..... Approx. 100 minutes

## **KENWOOD CORPORATION**

14-6, Dogenzaka 1-chome, Shibuya-ku, Tokyo 150-8501, Japan

### **KENWOOD SERVICE CORPORATION**

P.O. BOX 22745, 2201 East Dominguez Street, Long Beach, CA 90801-5745, U.S.A.

### **KENWOOD ELECTRONICS CANADA INC.**

6070 Kestrel Road, Mississauga, Ontario, Canada L5T 1S8

### **KENWOOD ELECTRONICS DEUTSCHLAND GMBH**

Rembrücker Str. 15, 63150 Heusenstamm, Germany

### **KENWOOD ELECTRONICS BELGIUM N.V.**

Mechelsesteenweg 418 B-1930 Zaventem, Belgium

### **KENWOOD ELECTRONICS FRANCE S.A.**

13, Boulevard Ney, 75018 Paris, France

### **KENWOOD ELECTRONICS U.K. LIMITED**

KENWOOD House, Dwight Road, Watford, Herts., WD1 8EB United Kingdom

### **KENWOOD ELECTRONICS EUROPE B.V.**

Amsterdamseweg 37, 1422 AC Uithoorn, The Netherlands

### **KENWOOD ELECTRONICS ITALIA S.p.A.**

Via G. Sirtori, 7/9 20129 Milano, Italy

### **KENWOOD IBERICA S.A.**

Bolivia, 239-08020 Barcelona, Spain

### **KENWOOD ELECTRONICS AUSTRALIA PTY. LTD.**

(A.C.N. 001 499 074)

16 Giffnock Avenue, Centrecourt Estate, North Ryde, N.S.W. 2113 Australia

### **KENWOOD ELECTRONICS (HONG KONG) LTD.**

Unit 3712-3724, Level 37, Tower one Metroplaza, 223 Hing Fong Road, Kwai Fong, N.T., Hong Kong

### **KENWOOD ELECTRONICS TECHNOLOGIES(S) PTE LTD.**

Sales Marketing Division

1 Ang Mo Kio Street 63, Singapore 569110

