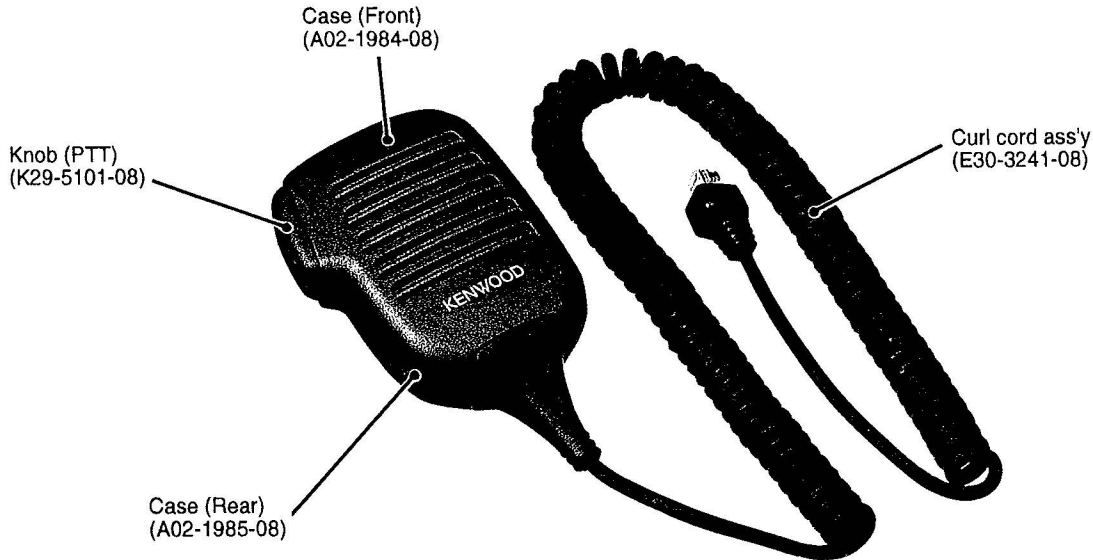


KMC-22

SERVICE MANUAL



OVERVIEW

LMR mobile transceiver basic microphone

FEATURES

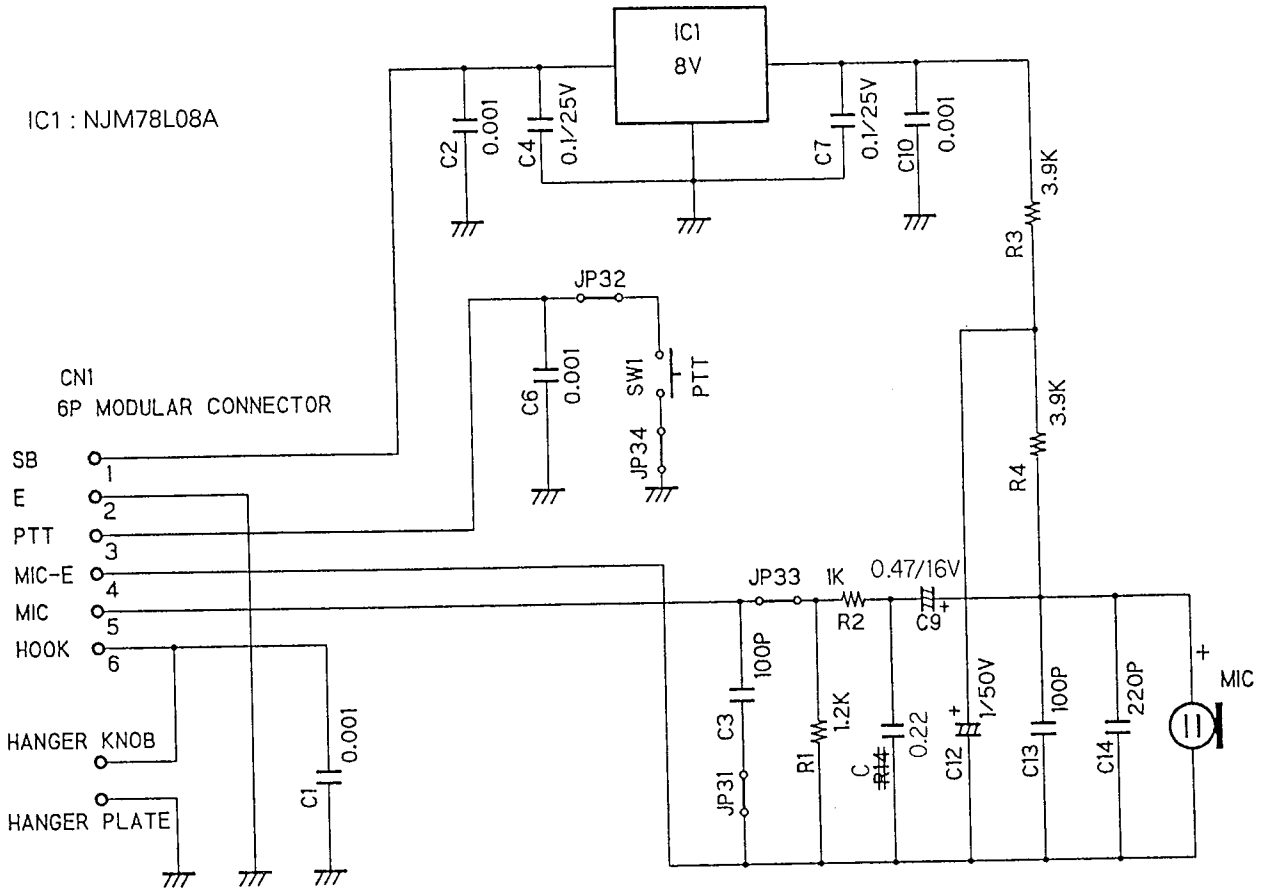
- The design of the microphone and its associated hanger eliminates the need for a ground wire connection to the hanger.
- The connectorized, coiled microphone cable employs 6-pin modular connectors at each end that allow quick cable changes without tools.

SPECIFICATIONS

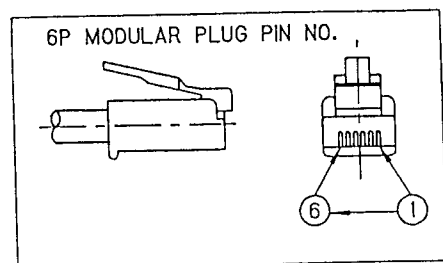
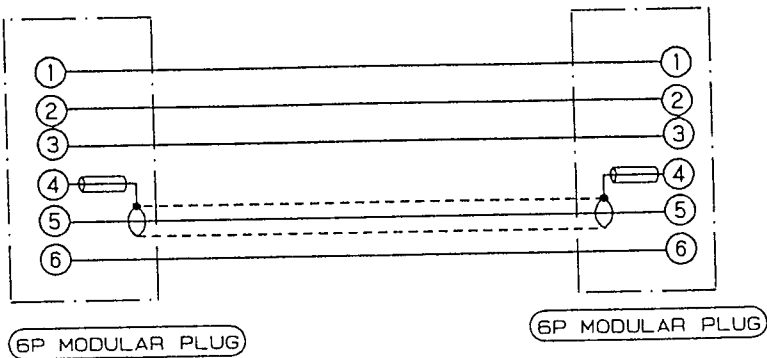
Sensitivity	-70dB ± 4dB at 1 kHz (0 dB ± 1 V/μBar)
Voltage required (supplied by radio)	10.6 V ~ 15.6 V DC
Operating temperature range	-30°C ~ +60°C
Output impedance	600Ω ± 30% at 1 kHz
Dimensions (W x H x D)	61 x 90 x 37.5 mm 2 13/32 x 3 17/32 x 1 15/32 in
Weight	240 g/ 8.5 oz

KMC-22

SCHEMATIC DIAGRAM

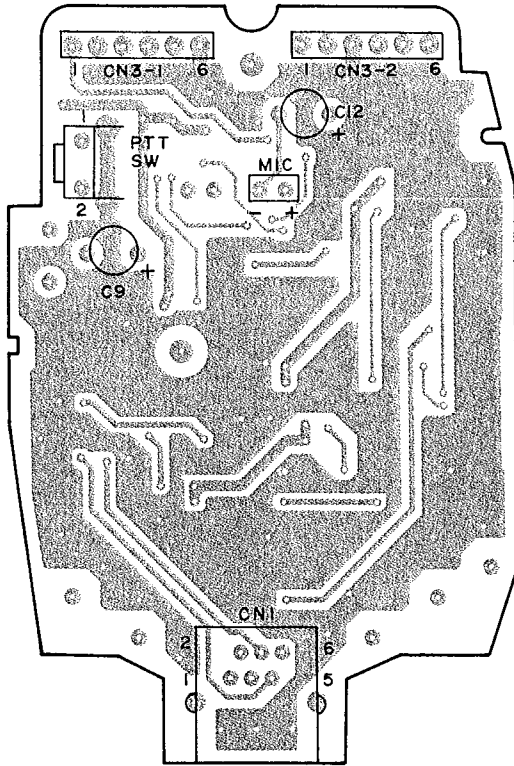


CURL CORD ASS'Y.

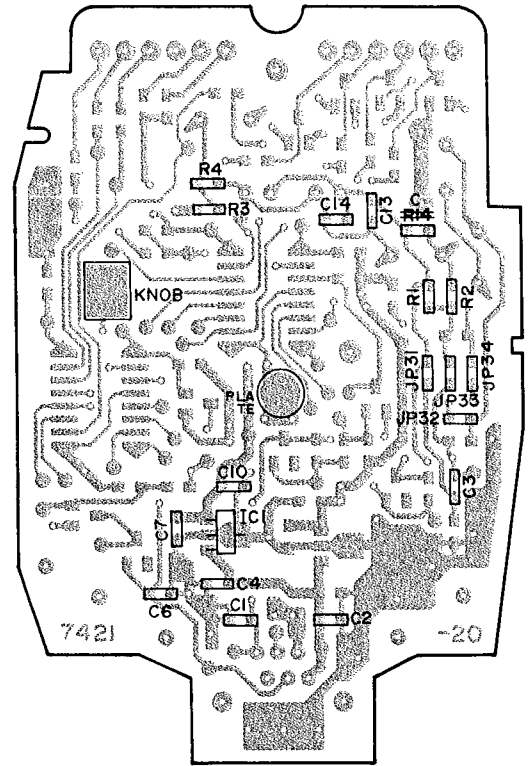


PC BOARD VIEWS

MIC UNIT
Component side view

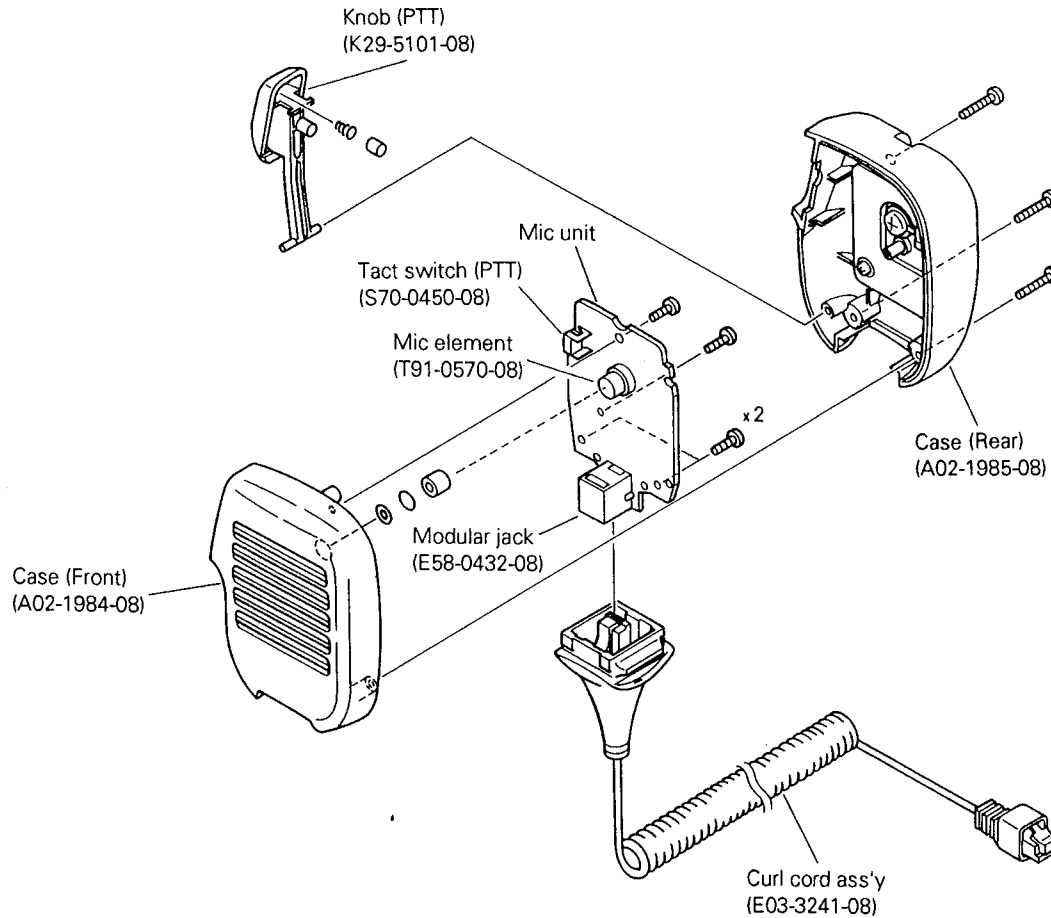


MIC UNIT
Foil side view



KMC-22

EXPLODED VIEW



PARTS LIST

* New Parts

Parts without Parts No. are not supplied.

New Parts	Parts No.	Description	
KMC-22			
*	A02-1984-08	CASE (FRONT)	
*	A02-1985-08	CASE (REAR)	
*	E30-3241-08	CURL CORD ASSY	
*	E58-0432-08	MODULAR JACK	
*	J19-1584-05	MIC HANGER ASSY	ACSY
	K29-5101-08	KNOB (PTT)	
	S70-0450-08	TACT SWITCH (PTT)	
	T91-0570-08	MIC ELEMENT	

KENWOOD CORPORATION

14-6, Dogenzaka 1-chome, Shibuya-ku, Tokyo 150, Japan

KENWOOD SERVICE CORPORATION

P.O. BOX 22745, 2201 East Dominguez Street, Long Beach, CA 90801-5745, U.S.A.

KENWOOD ELECTRONICS LATIN AMERICA S.A.

P.O. BOX 55-2791 Piso 6 Plaza Chase Cl. 47 y Aquilino de la Guardia Panama, Republic of Panama

KENWOOD ELECTRONICS CANADA INC.

6070 Kestrel Road, Mississauga, Ontario, Canada L5T 1S8

KENWOOD ELECTRONICS DEUTSCHLAND GMBH

Rembrücker Str. 15, 63150 Heusenstamm

KENWOOD ELECTRONICS BELGIUM N.V.

Mechelsesteenweg 418 B-1930 Zaventem, Belgium

KENWOOD ELECTRONICS FRANCE S.A.

13, Boulevard Ney, 75018 Paris, France

KENWOOD ELECTRONICS U.K. LIMITED

KENWOOD House, Dwight Road, Watford, Herts., WD1 8EB United Kingdom

KENWOOD ELECTRONICS NEDERLAND B.V.

Amsterdamseweg 35, 1422 AC Uithoorn, The Netherlands

KENWOOD ELECTRONICS ITALIA S.p.A.

Via G. Sirtori, 7/9 20129 Milano, Italy

KENWOOD IBERICA S.A.

Bolivia, 239-08020 Barcelona, Spain

KENWOOD ELECTRONICS AUSTRALIA PTY. LTD.

(A.C.N. 001 499 074)

P.O. Box 504, 8 Figtree Drive, Australia Centre, Homebush, N.S.W. 2140, Australia

KENWOOD & LEE ELECTRONICS, LTD.

Unit 3712-3724, Level 37, Tower one Metroplaza, 223 Hing Fong Road, Kwai Fong, N.T., Hong Kong