

# KENWOOD

## **Document Copyrights**

Copyright 2006 by Kenwood Corporation. All rights reserved.

No part of this manual may be reproduced, translated, distributed, or transmitted in any form or by any means, electronic, mechanical, photocopying, recording, or otherwise, for any purpose without the prior written permission of Kenwood.

## **Disclaimer**

While every precaution has been taken in the preparation of this manual, Kenwood assumes no responsibility for errors or omissions. Neither is any liability assumed for damages resulting from the use of the information contained herein. Kenwood reserves the right to make changes to any products herein at any time for improvement purposes.

MICROPHONE / KEY PAD MICROPHONE  
**KMC-30/32**  
 SERVICE MANUAL

**KENWOOD**

© 1999-11 PRINTED IN JAPAN  
 B51-8514-00 (N) 1074

**KMC-30**

**KMC-32**

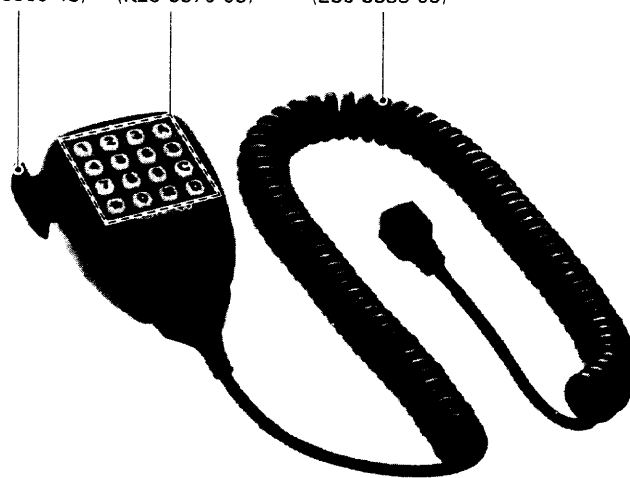
Lever knob  
 (K29-5369-13)

Curl cord  
 (E30-3388-05)

Lever knob  
 (K29-5369-13)

Key top  
 (K29-5370-03)

Curl cord  
 (E30-3388-05)



**PARTS LIST**

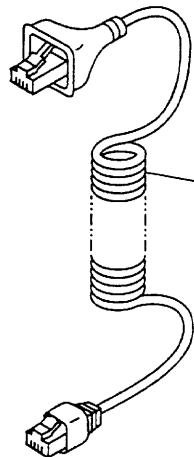
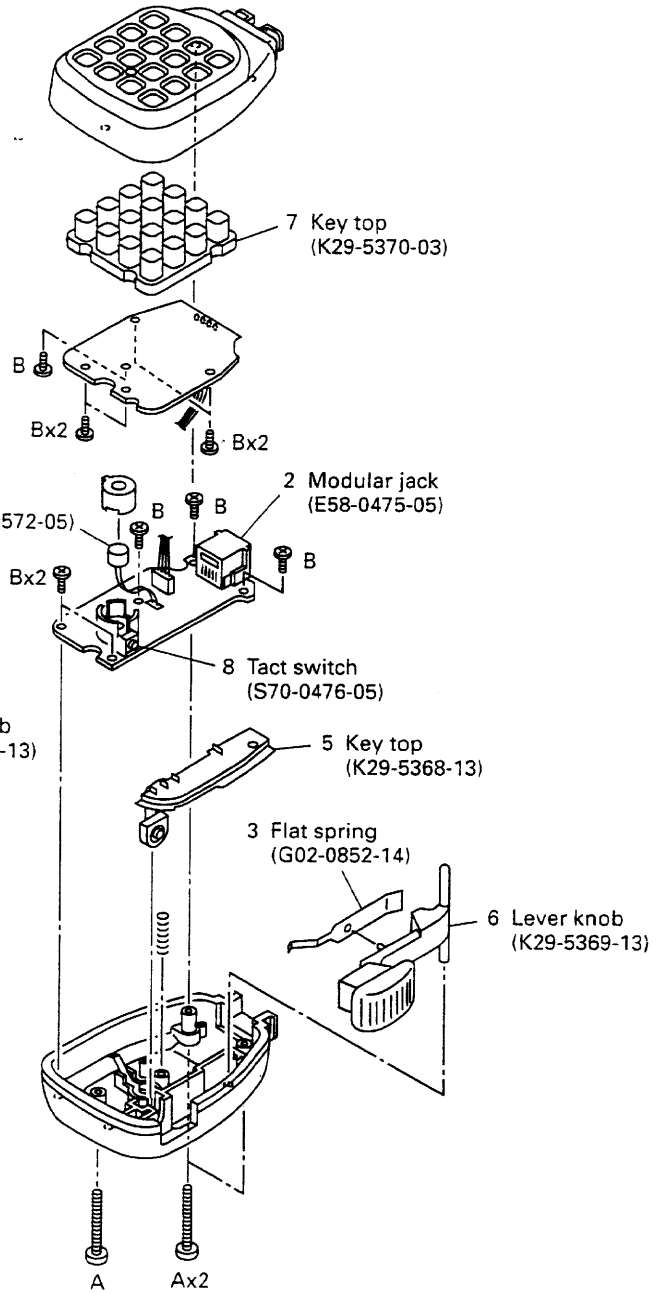
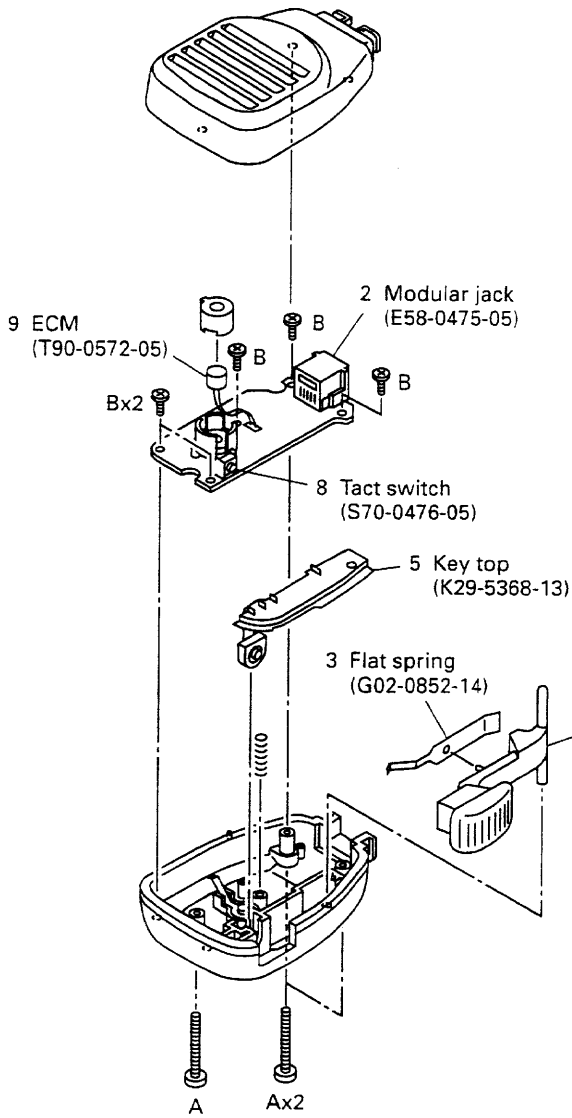
Ref. No.	Address	New parts	Parts No.	Description	Destination	
1		*	E30-3388-05	CURL CORD	ACSY	
2		*	E58-0475-05	MODULAR JACK		
3		*	G02-0852-14	FLAT SPRING	PTT	
4			J19-1584-05	MIC HANGER	ACSY	
4		*	J29-0659-03	MIC HANGER	ACSY	
5		*	K29-5368-13	KEY TOP	PTT	
6		*	K29-5369-13	LEVER KNOB	PTT	
7		*	K29-5370-03	KEY TOP	16 KEY	KMC-32
A		*	N83-3020-45	PAN HEAD TAPTITE SCREW		
B			N89-2005-46	BINDING HEAD TAPTITE SCREW		
8		*	S70-0476-05	TACT SWITCH		
9			T91-0572-05	ECM		

# KMC-30/32

## EXPLODED VIEW

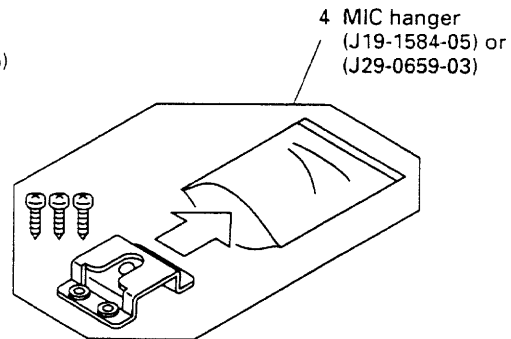
KMC-30

KMC-32



1 Curl cord (E30-3388-05)

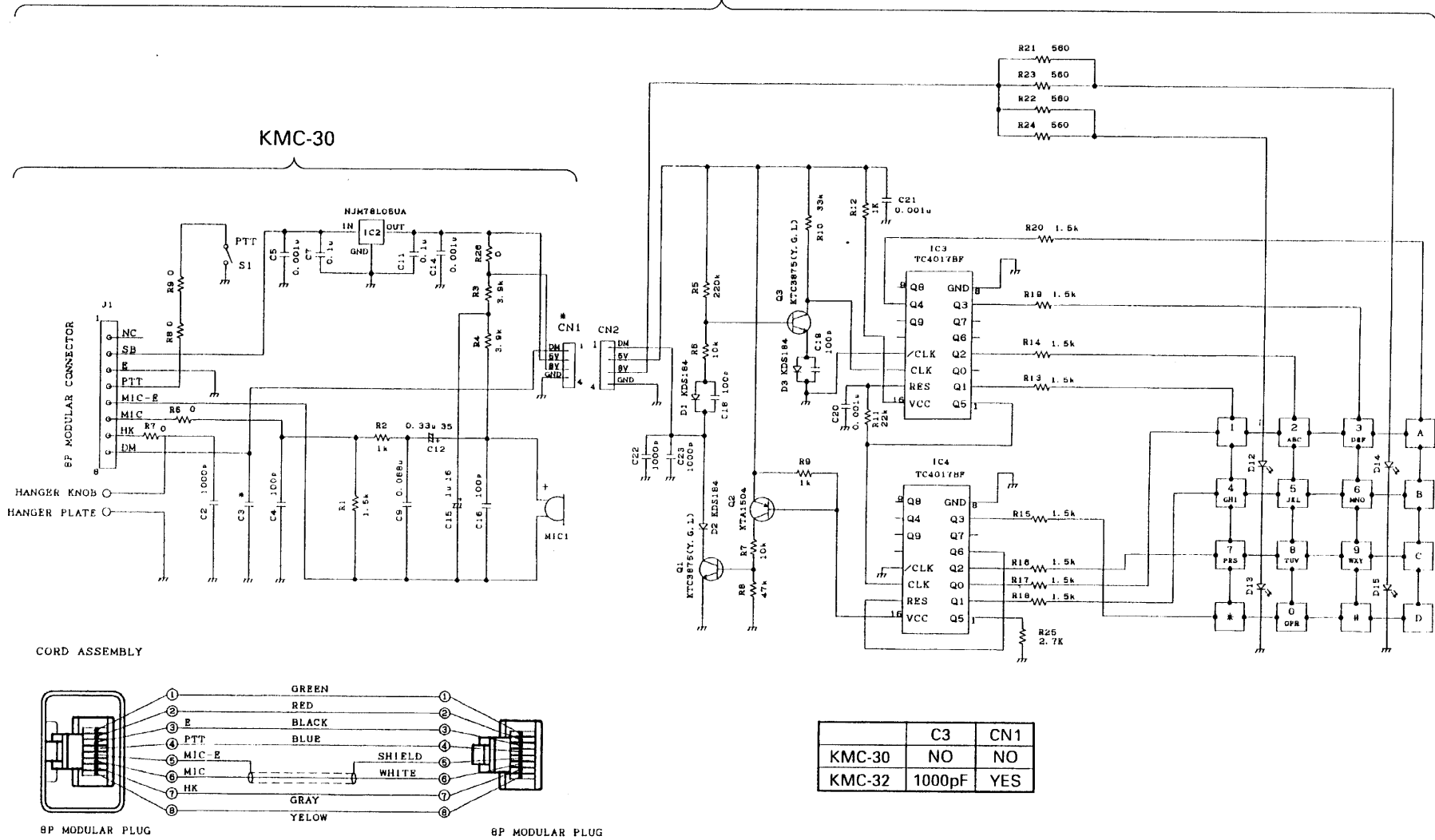
A  $\phi 3 \times 20$  BLK : N83-3020-45  
B M2 x 5 (Bi-Tap) : N89-2005-46



KMC-32

CIRCUIT DIAGRAM

KMC-30/32



	C3	CN1
KMC-30	NO	NO
KMC-32	1000pF	YES

## SPECIFICATIONS

Voltage Required ..... 13.8V  $\pm$  20%

Operating Temperature Range .....  $-30^{\circ}\text{C} \sim +60^{\circ}\text{C}$

### **KENWOOD CORPORATION**

14-6, Dogenzaka 1-chome, Shibuya-ku, Tokyo 150-8501, Japan

#### **KENWOOD SERVICE CORPORATION**

P.O. BOX 22745, 2201 East Dominguez Street, Long Beach, CA 90801-5745, U.S.A.

#### **KENWOOD ELECTRONICS LATIN AMERICA S.A.**

P.O. BOX 55-2791 Piso 6 Plaza Chase Cl. 47 y Aquilino de la Guardia Panama, Republic of Panama

#### **KENWOOD ELECTRONICS CANADA INC.**

6070 Kestrel Road, Mississauga, Ontario, Canada L5T 1S8

#### **KENWOOD ELECTRONICS DEUTSCHLAND GMBH**

Rembrücker Str. 15, 63150 Heusenstamm, Germany

#### **KENWOOD ELECTRONICS BELGIUM N.V.**

Mechelsesteenweg 418 B-1930 Zaventem, Belgium

#### **KENWOOD ELECTRONICS FRANCE S.A.**

13, Boulevard Ney, 75018 Paris, France

#### **KENWOOD ELECTRONICS U.K. LIMITED**

KENWOOD House, Dwight Road, Watford, Herts., WD1 8EB United Kingdom

#### **KENWOOD ELECTRONICS EUROPE B.V.**

Amsterdamseweg 37, 1422 AC Uithoorn, The Netherlands

#### **KENWOOD ELECTRONICS ITALIA S.p.A.**

Via G. Sirtori, 7/9 20129 Milano, Italy

#### **KENWOOD IBERICA S.A.**

Bolivia, 239-08020 Barcelona, Spain

#### **KENWOOD ELECTRONICS AUSTRALIA PTY. LTD.**

(A.C.N. 001 499 074)

16 Giffnock Avenue, North Ryde, N.S.W. 2113 Australia

#### **KENWOOD ELECTRONICS (HONG KONG) LTD.**

Unit 3712-3724, Level 37, Tower one Metroplaza, 223 Hing Fong Road, Kwai Fong, N.T., Hong Kong

#### **KENWOOD ELECTRONICS TECHNOLOGIES(S) PTE LTD.**

Sales Marketing Division

1 Ang Mo Kio Street 63, Singapore 569110