

SPEAKER MICROPHONE

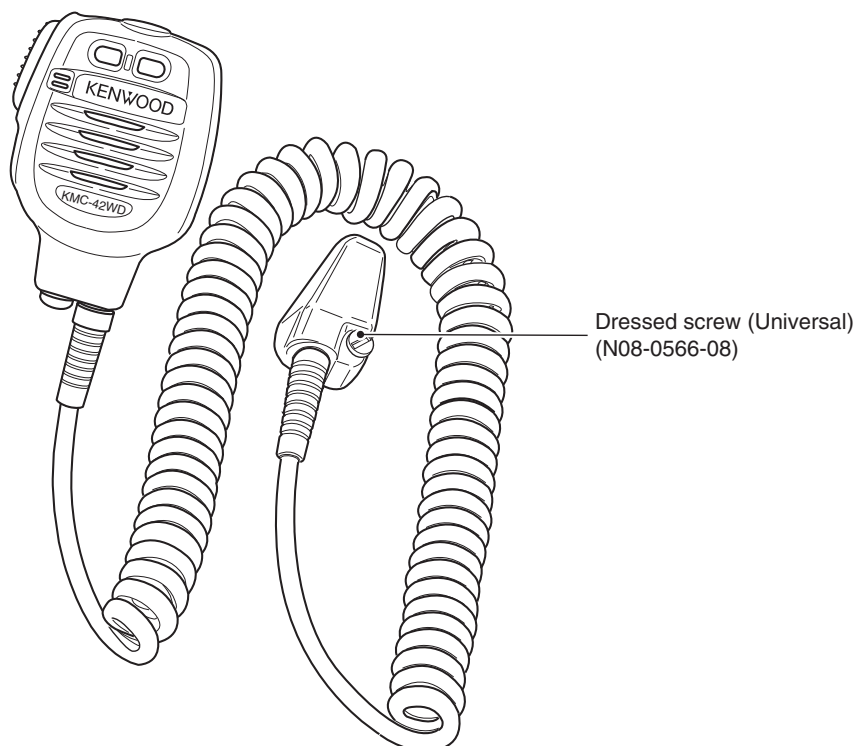
KMC-42WD

SERVICE MANUAL

KENWOOD

JVCKENWOOD Corporation

© 2014-2 PRINTED IN JAPAN
RQ024 (K) B5B-7120-00



Document Copyrights

Copyright 2014 by JVC KENWOOD Corporation. All rights reserved.

No part of this manual may be reproduced, translated, distributed, or transmitted in any form or by any means, electronic, mechanical, photocopying, recording, or otherwise, for any purpose without the prior written permission of JVC KENWOOD Corporation.

Disclaimer

While every precaution has been taken in the preparation of this manual, JVC KENWOOD Corporation assumes no responsibility for errors or omissions. Neither is any liability assumed for damages resulting from the use of the information contained herein. JVC KENWOOD Corporation reserves the right to make changes to any products herein at any time for improvement purposes.

SPECIFICATIONS

Microphone

Impedance 2.2k Ω (MAX)
Sensitivity -65dB \pm 4dB at 1kHz

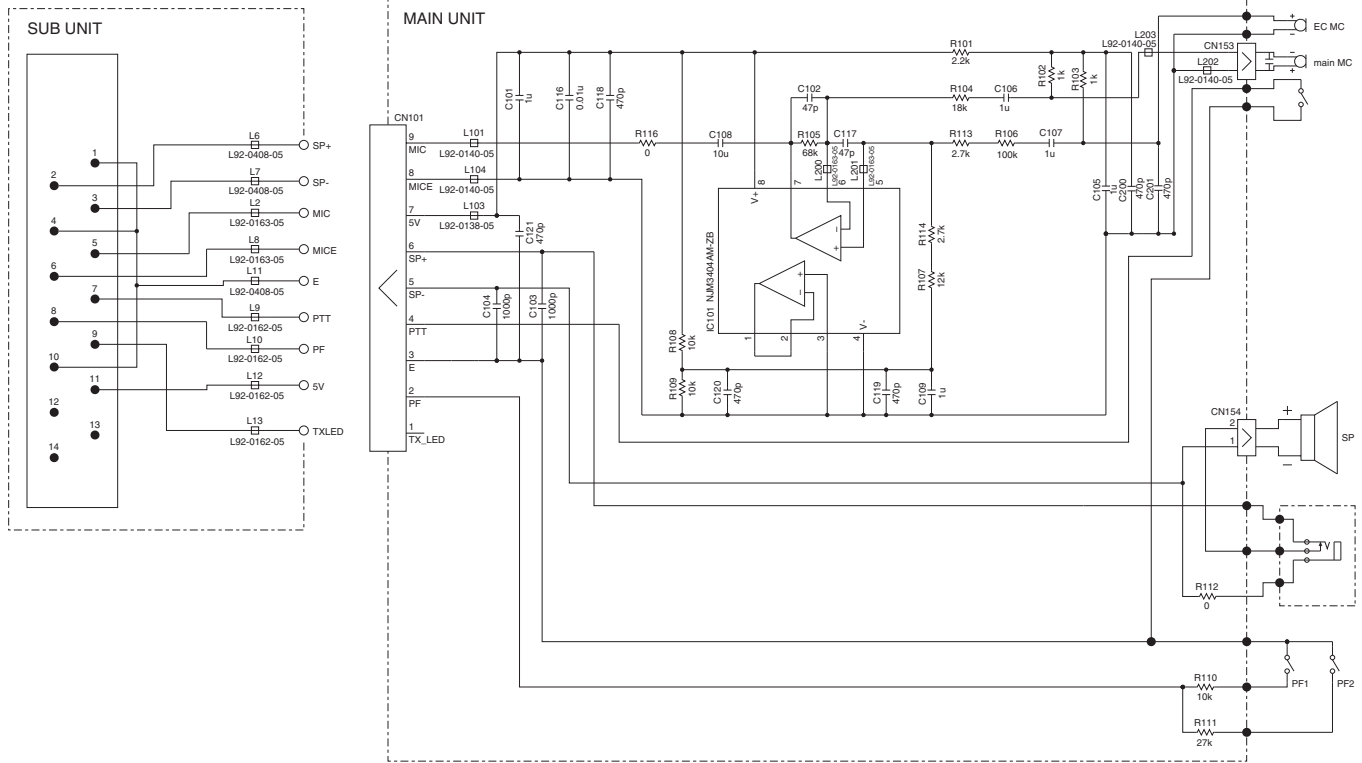
Speaker

Impedance 16 Ω \pm 15% at 1kHz
Rating input 0.5W
Maximum input 1.5W
Dimensions (W x H x D)
..... 67.8 x 91.5 x 43.3 mm (2.67 x 3.60 x 1.70 in)
Weight Approx. 260g/9.2oz



KMC-42WD

SCHEMATIC DIAGRAM



KENWOOD

JVC KENWOOD Corporation
Communications Equipment Div