

# KENWOOD

## **Document Copyrights**

Copyright 2006 by Kenwood Corporation. All rights reserved.

No part of this manual may be reproduced, translated, distributed, or transmitted in any form or by any means, electronic, mechanical, photocopying, recording, or otherwise, for any purpose without the prior written permission of Kenwood.

## **Disclaimer**

While every precaution has been taken in the preparation of this manual, Kenwood assumes no responsibility for errors or omissions. Neither is any liability assumed for damages resulting from the use of the information contained herein. Kenwood reserves the right to make changes to any products herein at any time for improvement purposes.

BASE MICROPHONE

# KMC-9/9B/9C

## SERVICE MANUAL

# KENWOOD

© 1999-4 PRINTED IN JAPAN  
B51-8481-00 (N) 1330



Photo is KMC-9.

---

### Contents

Specifications .....	1
Disassembly for repair .....	2
Schematic diagram .....	3
Parts list .....	4

### Specifications

Type .....	Uni-directional dynamic microphone (Preamplifier built-in)
Output impedance .....	600Ω ± 30% (at 1kHz)
Sensitivity .....	-50dB ± 3dB (at 1kHz, 0dB = 1V/μ bar)
Frequency characteristic .....	300 to 3000Hz (±6dB)
Power requirements .....	13.8V DC (Supplied from the radio)
Dimensions (W x H x D) .....	70 x 162 x 150 mm (2-3/4 x 6-3/8 x 5-29/32 inch)
Weight .....	550g (1.2 lbs)

# KMC-9/9B/9C

## DISASSEMBLY FOR REPAIR

### • Chassis removal

1. Remove the four rubber feet ( ① ).
2. Remove the four screws ( ② ).
3. Remove the chassis ( ③ ).
4. Disconnect the 3-pin connector from the microphone amplification unit ( ④ ).

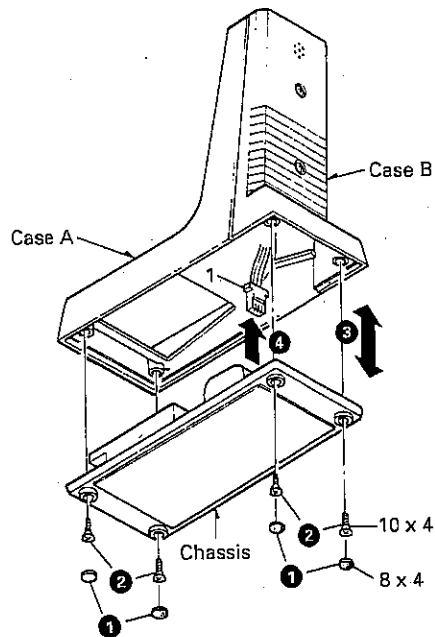


Fig. 1

### • Removal of microphone element and microphone amplification unit

5. Remove the two screws holding cases A and B ( ⑤ ).
6. Remove case B ( ⑥ ).
7. Remove the microphone element and microphone amplification unit ( ⑦ ).

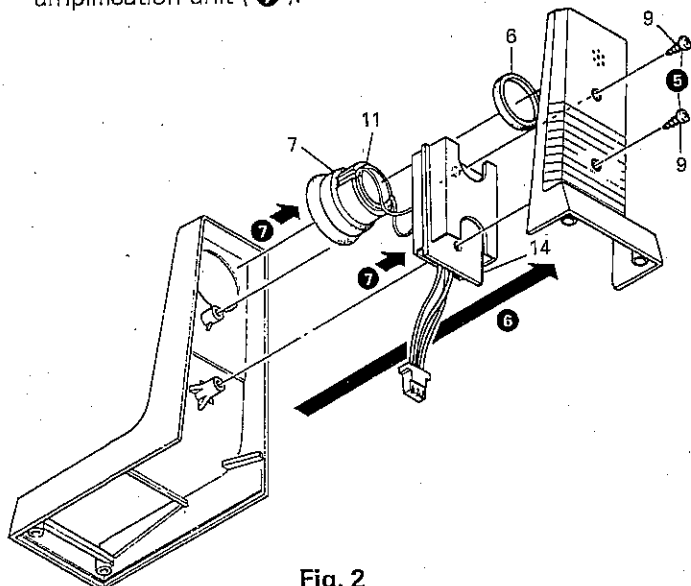


Fig. 2

### • Switch unit removal

8. Disconnect the connector ( ⑧ ).
9. Remove the springs (L and R) ( ⑨ ).
10. Pull out the shaft ( ⑩ ).
11. Remove spring A and slider ( ⑪ ).
12. Remove the switch unit while pressing the two claws holding the switch unit in the direction of the arrow ( ⑫ ).

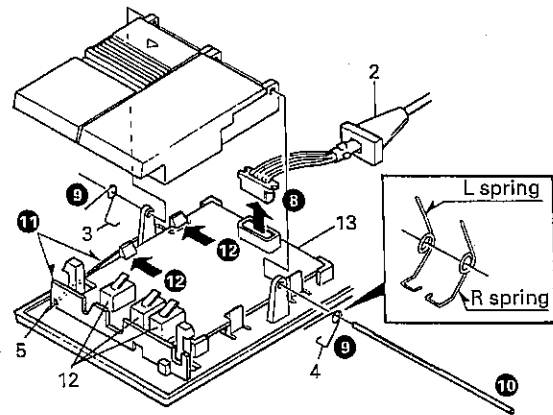


Fig. 3

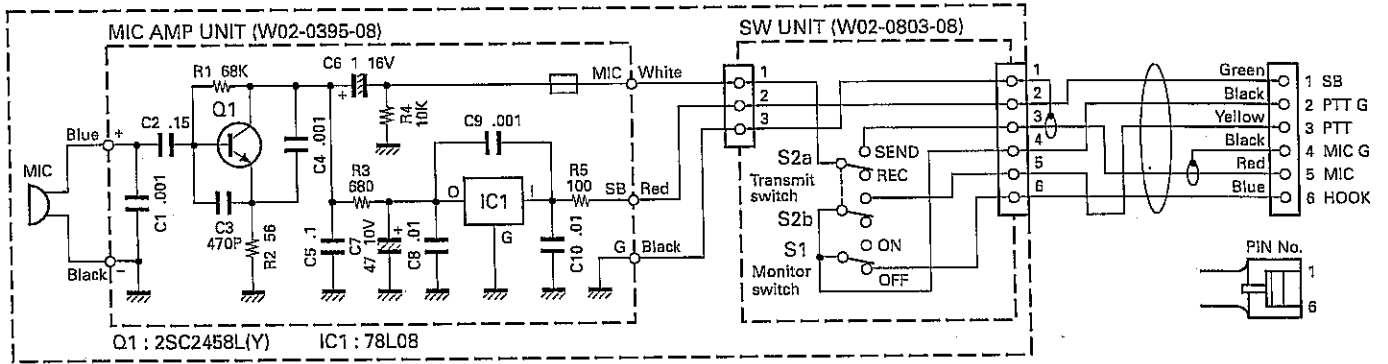
### • Removing microphone plug

To remove the microphone plug (module) from the Main unit or from the microphone, grasp the rubber cap from top and bottom to unlock it, then pull it out.

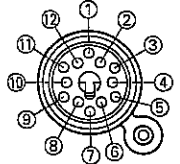
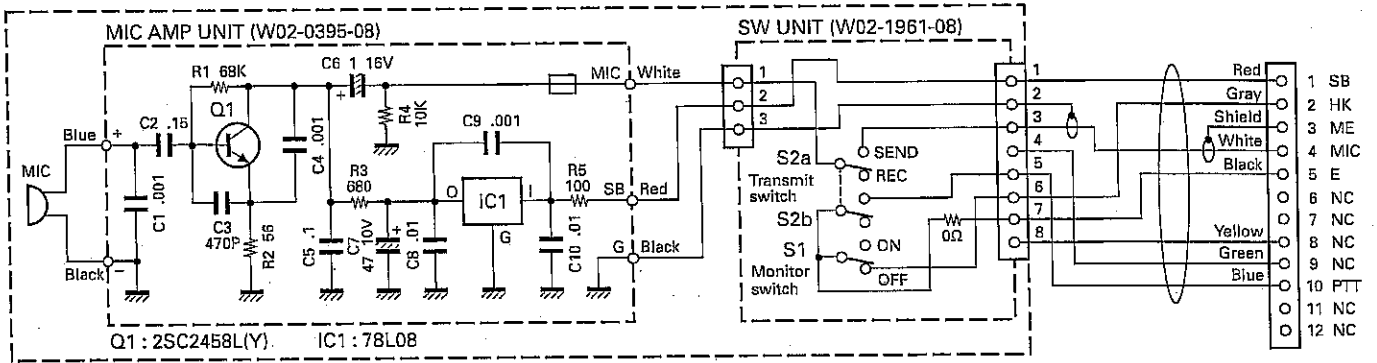
# KMC-9/9B/9C

## SCHEMATIC DIAGRAM

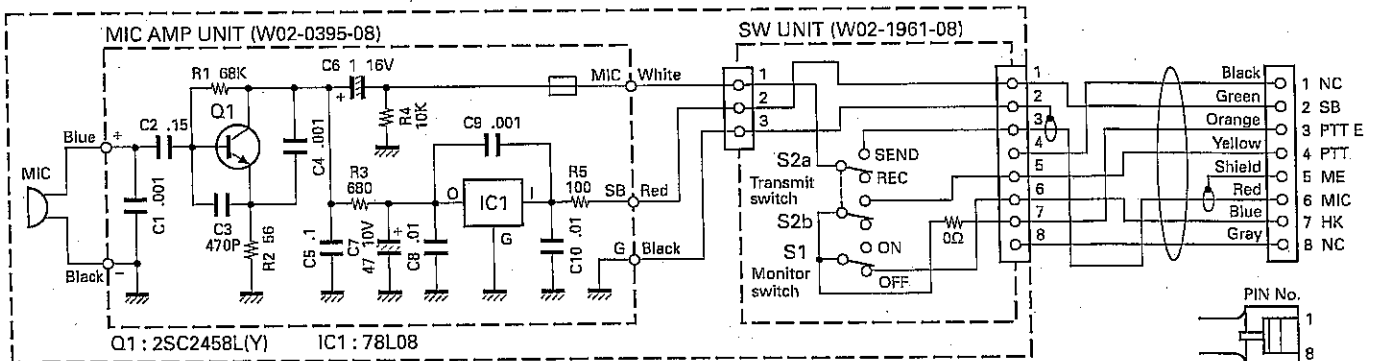
### KMC-9



### KMC-9B



### KMC-9C

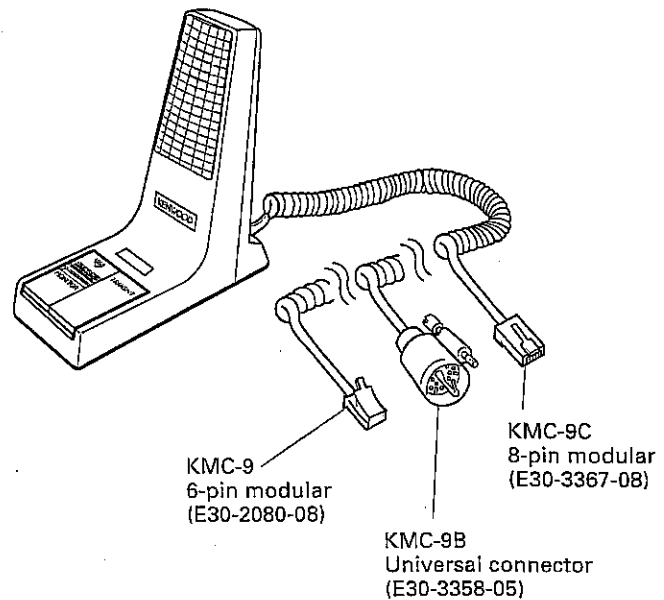


# KMC-9/9B/9C

## PARTS LIST

\* : New parts

Ref. No.	New parts	Parts No.	Description
1		E23-0812-08	Crimp terminal
2		E30-2080-08	Curl cord assy KMC-9
2	*	E30-3358-05	Curl cord assy KMC-9B
2	*	E30-3367-08	Curl cord assy KMC-9C
3		G09-0423-08	L spring
4		G09-0424-08	R spring
5		G09-0425-08	Spring A
6		G13-0877-08	Cushion
7		G13-0878-08	Cushion D
8		J02-0448-08	Rubber foot
9		N44-3018-45	Tapping screw
10		N47-3010-46	Tapping screw
11		T91-0368-08	MIC unit
12		S50-1430-08	Micro switch
13		W02-0803-08	SW unit KMC-9
13	*	W02-1961-08	SW unit KMC-9B/9C
14		W02-0395-08	MIC AMP unit



## KENWOOD CORPORATION

14-6, Dogenzaka 1-chome, Shibuya-ku, Tokyo 150-8501, Japan

### KENWOOD SERVICE CORPORATION

P.O. BOX 22745, 2201 East Dominguez Street, Long Beach, CA 90801-5745, U.S.A.

### KENWOOD ELECTRONICS LATIN AMERICA S.A.

P.O. BOX 55-2791 Piso 6 Plaza Chase Cl. 47 y Aquilino de la Guardia Panama, Republic of Panama

### KENWOOD ELECTRONICS CANADA INC.

6070 Kestrel Road, Mississauga, Ontario, Canada L5T 1S8

### KENWOOD ELECTRONICS DEUTSCHLAND GMBH

Rembrücker Str. 15, 63150 Heusenstamm, Germany

### KENWOOD ELECTRONICS BELGIUM N.V.

Mechelsesteenweg 418 B-1930 Zaventem, Belgium

### KENWOOD ELECTRONICS FRANCE S.A.

13, Boulevard Ney, 75018 Paris, France

### KENWOOD ELECTRONICS U.K. LIMITED

KENWOOD House, Dwight Road, Watford, Herts., WD1 8EB United Kingdom

### KENWOOD ELECTRONICS EUROPE B.V.

Amsterdamseweg 37, 1422 AC Uithoorn, The Netherlands

### KENWOOD ELECTRONICS ITALIA S.p.A.

Via G. Sirtori, 7/9 20129 Milano, Italy

### KENWOOD IBERICA S.A.

Bolivia, 239-08020 Barcelona, Spain

### KENWOOD ELECTRONICS AUSTRALIA PTY. LTD.

(A.C.N. 001 499 074)

P.O. Box 504, 8 Figtree Drive, Australia Centre, Homebush, N.S.W. 2140, Australia

### KENWOOD & LEE ELECTRONICS, LTD.

Unit 3712-3724, Level 37, Tower one Metroplaza, 223 Hing Fong Road, Kwai Fong, N.T., Hong Kong

### KENWOOD ELECTRONICS TECHNOLOGIES(S) PTE LTD.

Sales Marketing Division

1 Ang Mo Kio Street 63, Singapore 569110