

KENWOOD

SERVICE MANUAL

USB PROGRAMMING INTERFACE CABLE

KPG-36X

The "Product Exchange System" is applicable to this product.



1. Outline

- This product can be connected to the LMR radios by USB or UART serial connection.
By switching the conversion module of the cable central portion, It is possible to switch between USB and UART.
- At UART serial connection, this product connects at high speed by the stability operation in USB-serial conversion module.
At USB connection, USB signal passes through by the switch.

2. Feature

2.1 Cable

This cable is connected the Radio (LMR) with the USB terminal of the computer.

2.2 Connection

This product can be connected to the LMR radio by USB or UART.

Switching USB to UART/UART to USB is using a SW on Conversion module.

2.3 USB

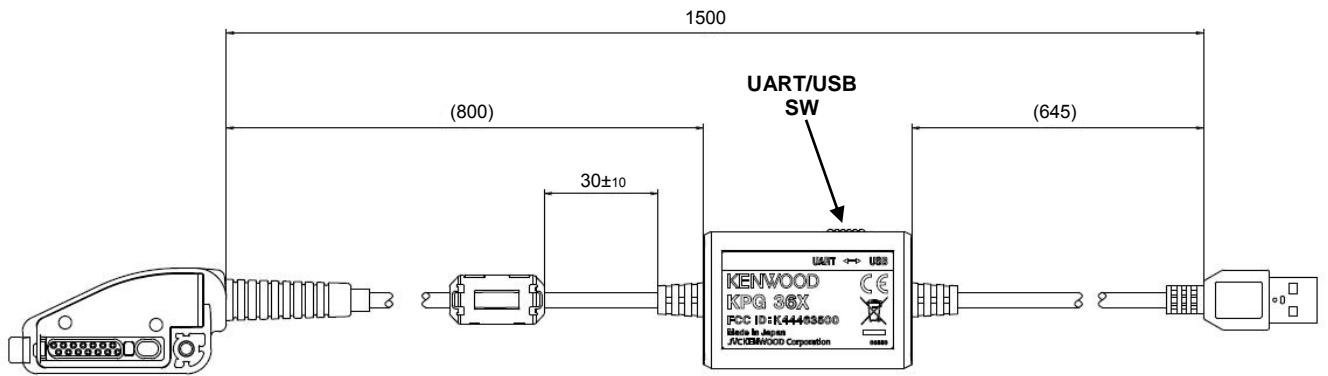
USB 2.0 Full Speed (12Mb/s) compliant.

2.4 USB driver software

This software works on Microsoft windows Vista(32/64bit)/ 7(32/64bit)/8(32/64bit)/8.1(32/64bit).

This software is supplied with the CD-R.

3. Drawing External Appearance



Weight

Model	weight (kg)
KPG-36X	0.08

4. About selecting USB/UART

For using USB (Up to 12Mb/s USB Speed), Slide the SW of KPG-36X to USB.
 For using UART (RS-232C), Slide the SW of KPG-36X to UART.

5. PC tuning

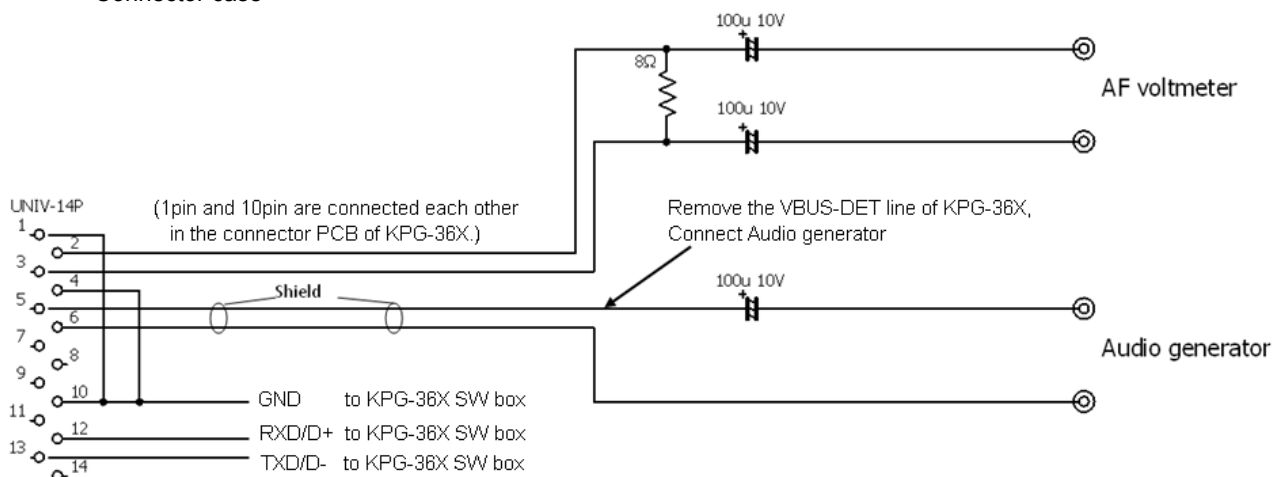
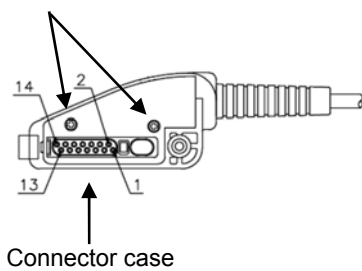
Connect the wires to the PCB in the connector case of KPG-36X.
 For output the wires out of the connector case, need to process the connector case.

- Connect AF Voltmeter to 2pin and 3pin of the connector PCB.
- Remove the 5pin wire from the connector PCB.
- Connect Audio generator to the 5pin of the connector PCB.
- Connect Audio generator to the 6pin of the connector PCB.
- Connect the 4pin to the GND.

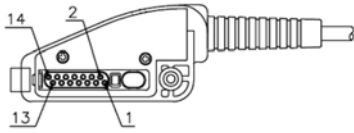
(Refer to below figure)

Slide the SW of KPG-36X to UART for PC tuning.

Remove the screw.



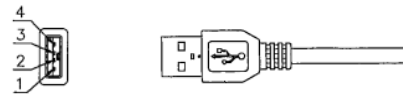
6. Pin assignment



14Pin Universal connector

Pin assignment

- 1: GND
- 2: NC
- 3: NC
- 4: NC
- 5: VBUS-DET
- 6: NC
- 7: NC
- 8: NC
- 9: NC
- 10: GND
- 11: NC
- 12: RXD/D+
- 13: TXD/D-
- 14: NC



USB Connector

Pin assignment

- 1: VBUS
- 2: D-
- 3: D+
- 4: GND

7. Accessories

No.	Name	Remarks
1	Instruction manual	8 languages
2	USB DRIVER	CD-ROM
3	Pamphlet	EU RoHS recast (RoHS2)
4	Pamphlet	Turkey WEEE



KENWOOD

JVCKENWOOD Corporation
Communications Systems BU