

KRK-2/3DH/4DB

SERVICE MANUAL

KENWOOD

© 1992-1 PRINTED IN JAPAN
B51-8154-00 (O) 1157

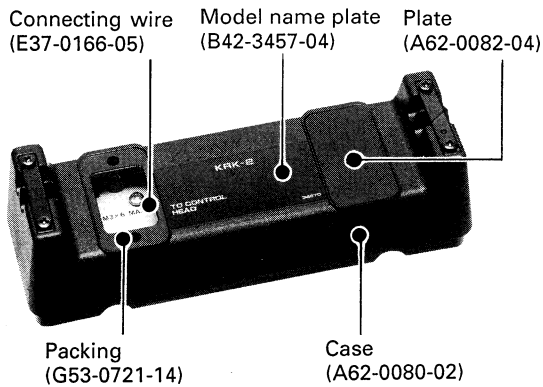
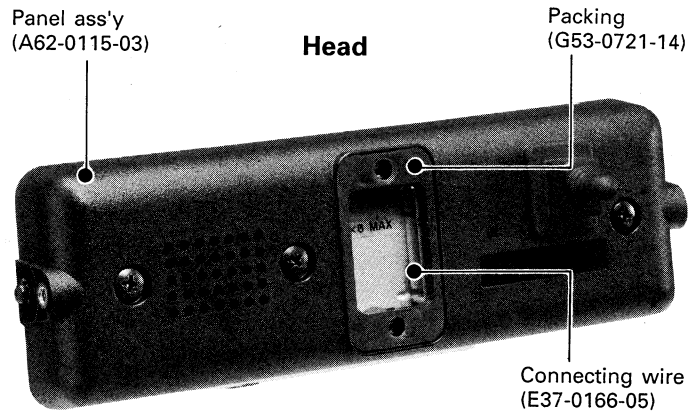


Photo is KRK-2.



Install the head on the display unit

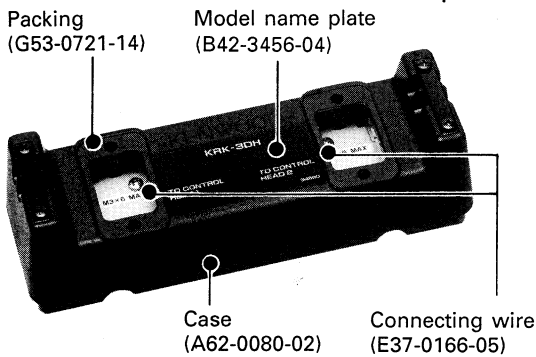


Photo is KRK-3DH.

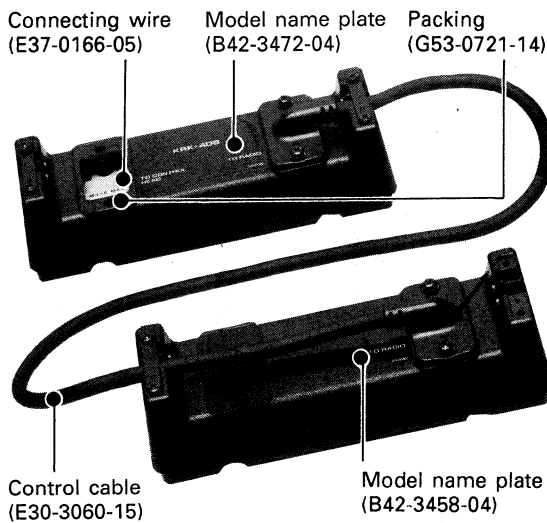


Photo is KRK-4DB.

CONTENTS

INSTALLATION	2
DISASSEMBLY FOR REPAIR	10
CIRCUIT DESCRIPTION	12
PARTS LIST	
: KRK-2	15
: KRK-3DH	16
: KRK-4DB	18
EXPLODED VIEW	
: BODY	20
: HEAD	21
PACKING	
: KRK-2	22
: KRK-3DH	23
: KRK-4DB	24
TERMINAL FUNCTIONS	
SCHEMATIC DIAGRAM	
: KRK-2	26
PC BOARD VIEWS	
: KRK-2	29
: KRK-3DH	30
SCHEMATIC DIAGRAM	
: KRK-3DH	31
PC BOARD VIEWS	
: KRK-4DB	35
SCHEMATIC DIAGRAM	
: KRK-4DB	37

INSTALLATION

1. Installing the Remote Kit (KRK-2)

The KRK-2 remote kit is used to remotely operate a TK-630/730/830 series radio (called radio 1 below). The KRK-2 is connected to a KCH-3 or KCH-4 with an optional KCT-12A (8 feet), KCT-12B (17 feet), or KCT-12C (25 feet) control cable.

1-1. Connection of radio 1 and KRK-2 (Fig. 1-1)

1. Remove the upper and lower halves of the case of radio 1.
2. Connect W105 of the control unit (X57-A/4) to CN2 of the KRK-2.
3. Install the KRK-2 on radio 1 using the four flat-headed screws (1). Take care not to get W105 between the frame edges.
4. Short W106 on the control unit by soldering (Fig. 1-5). If you do not short it, the KRK-2 audio output will be reduced.
5. Reassemble the upper and lower halves of the case of radio 1.

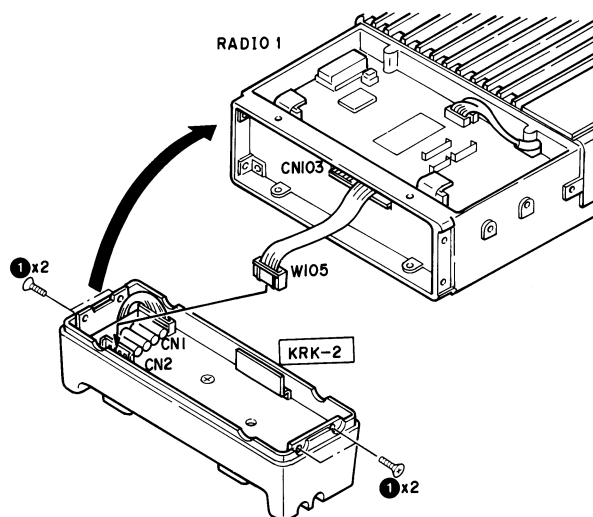


Fig. 1-1

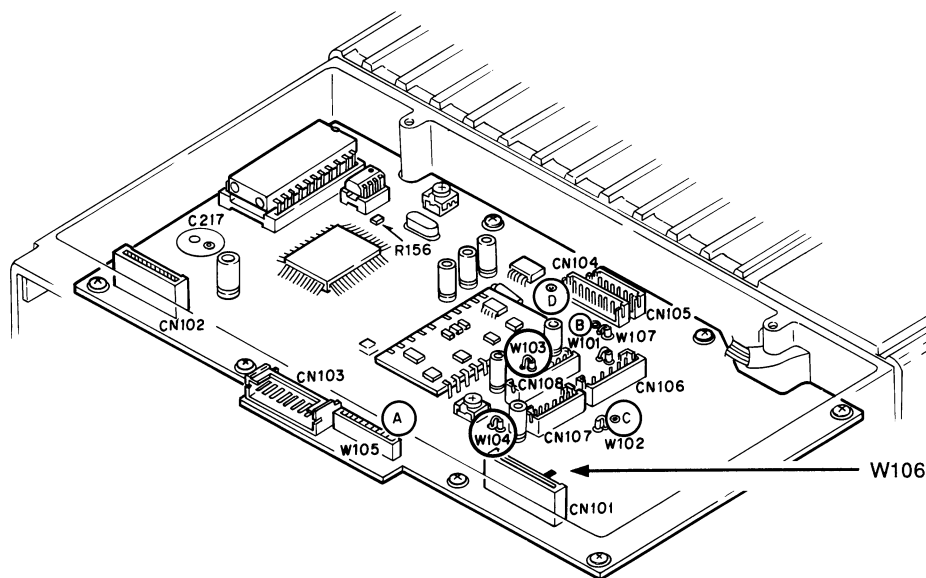


Fig. 1-5 Control unit (X57- A/4)

1-2. Display assembly (Fig. 2)

1. Remove the shorting plug from CN1 of the display unit (Only KCH-3). The following steps apply to both the KCH-3 and the KCH-4.
2. Connect the connector (W703) from the head to CN1 of the display unit (1).
3. Connect the connector (W702) from the head to CN2 of the display unit (2).
4. Remove the three screws (3) on the back of the head, then remove the subpanel.
5. Install the head subpanel on the display unit subpanel (4).

- Note:** Insert the head subpanel into the display unit subpanel.
6. Install the subpanel on the display unit with the four screws (N32-3006-46) (5).
 7. Fit the supplied packing (G53-0717-03) (6), then install the head with the three screws that were removed in step 4.
 8. Fit the rubber cap (B09-0328-04) on the supplied 6-pin short square plug, and fit the plug on the 6-pin ACC connector (Cut off the rubber cap end and fix it with a wire band) (7).

INSTALLATION

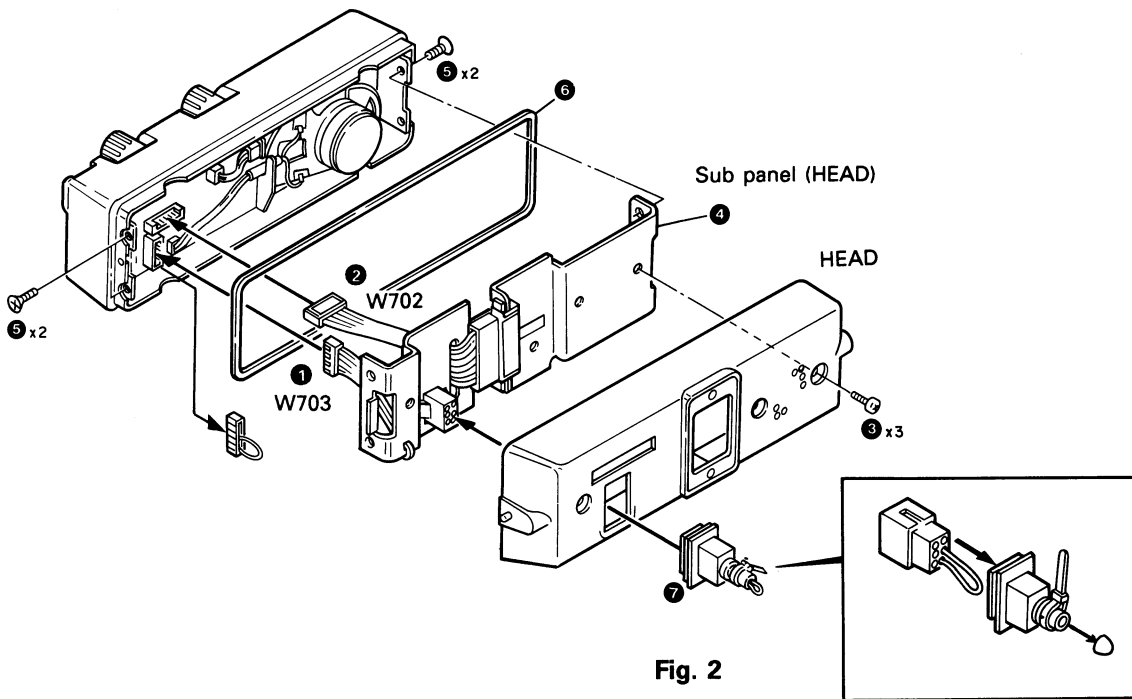


Fig. 2

1-3. Control cable connection (Fig. 3)

1. Connect one connector of the control cable to radio 1 (with KRK-2) and the other to the display. Connect the cable GND terminal with the binding screw (N35-3006-46) (1) supplied with the control cable.
2. Secure the connector of the control cable to the KRK-2 with the two sems (N09-2166-05) (2) according to the installation condition of radio 1.

Secure the control cable on the KRK-2 with the cable fitting (J21-4354-04) (4) and two screws (N09-0335-05) supplied with the KRK-2.

3. Secure the other connector of the control cable to the display unit with two sems (N09-2166-05) (3) in the same way.

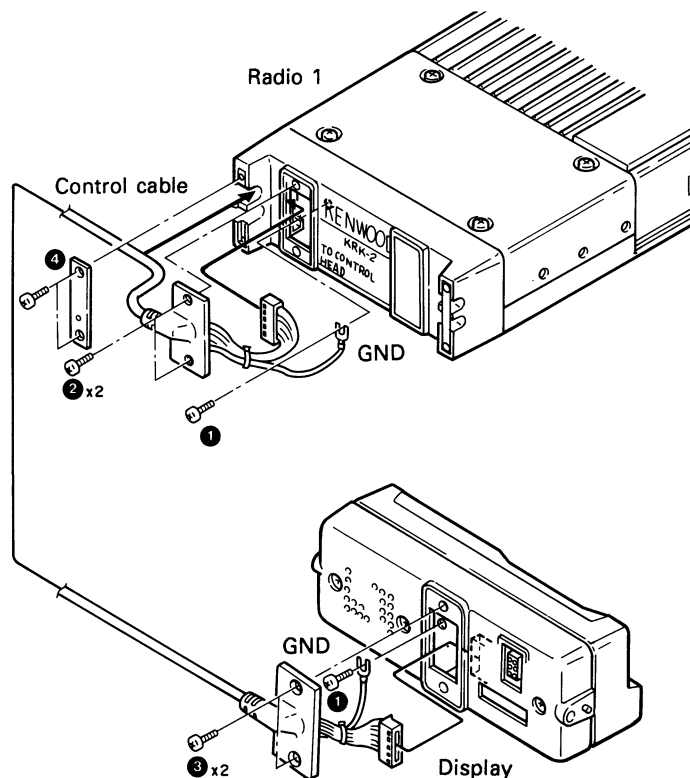


Fig. 3

KRK-2/3DH/4DB

INSTALLATION

1-4. Display installation (Fig. 4)

1. Install the display with the supplied angle bracket (J29-0460-03) (1) and two decorative screws (N08-0526-04) (2).

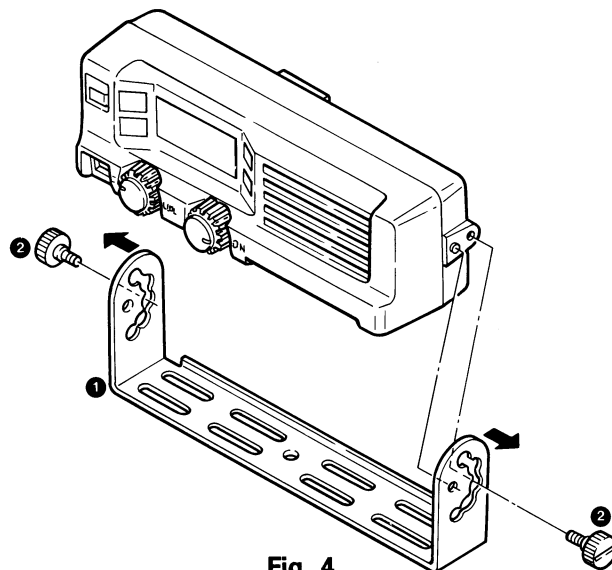


Fig. 4

1-5. Other modification (Fig. 5)

1. You can change the speaker output to 10W by shorting W10 on the KRK-2. If you use the KCH-3, you cannot use the internal speaker (because the maximum input is 5 W). Use the optional external speaker (KES-4) (maximum input: 20 W).

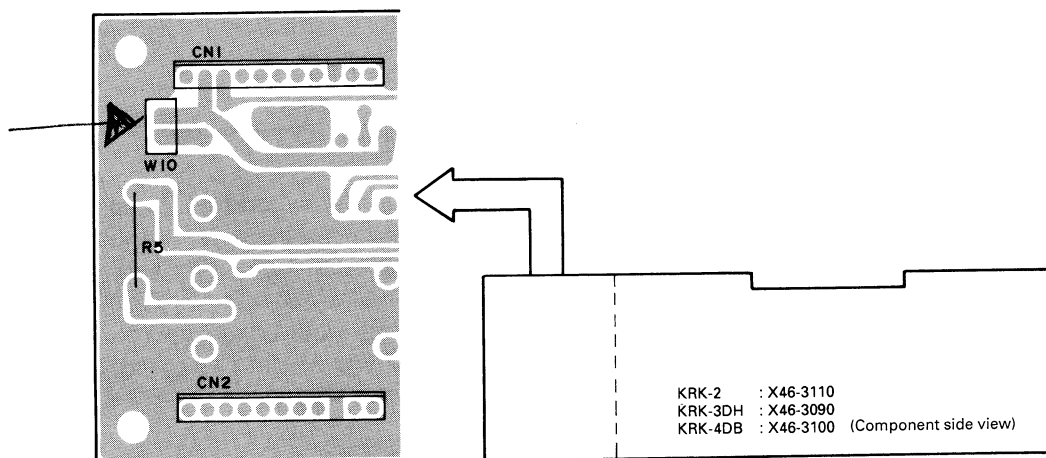


Fig. 5

2. Installing the Dual Control Head Remote Kit (KRK-3DH)

The KRK-3DH remote kit connects two displays (two KCH-3s or KCH-4s) to a TK-630/730/830 series radio. The KRK-3DH is connected to the KCH-3s or KCH-4s with two optional control cables. There are three version of the control cable : KCT-12A (8 feet), KCT-12B (17 feet), and KCT-12C (25 feet).

2-1. Connection of radio 1 and KRK-3DH (Fig. 1-2)

1. Remove the upper and lower halves of the case of radio 1.
2. Connect W105 on the control unit (X57-A/4) to CN2 of the KRK-3DH.
3. Connect W1 on the KRK-3DH to control unit CN103.
4. Install the KRK-3DH on radio 1 using the four flat head screws (N32-3006-46) (1).
5. Short W106 on the control unit by soldering. (Fig. 1-5)
6. Reassemble the upper and lower halves of the case of radio 1.

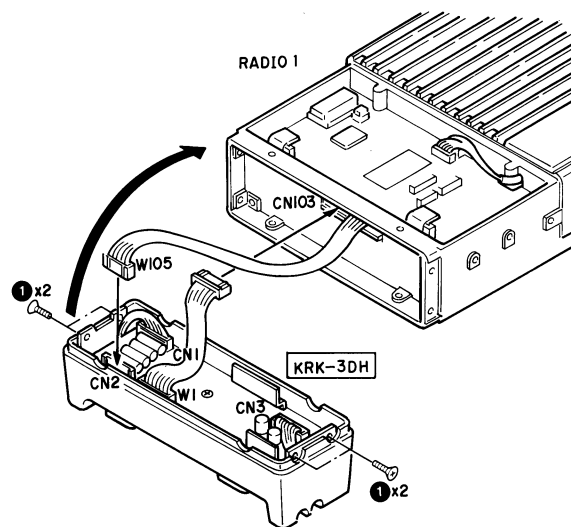


Fig. 1-2

INSTALLATION

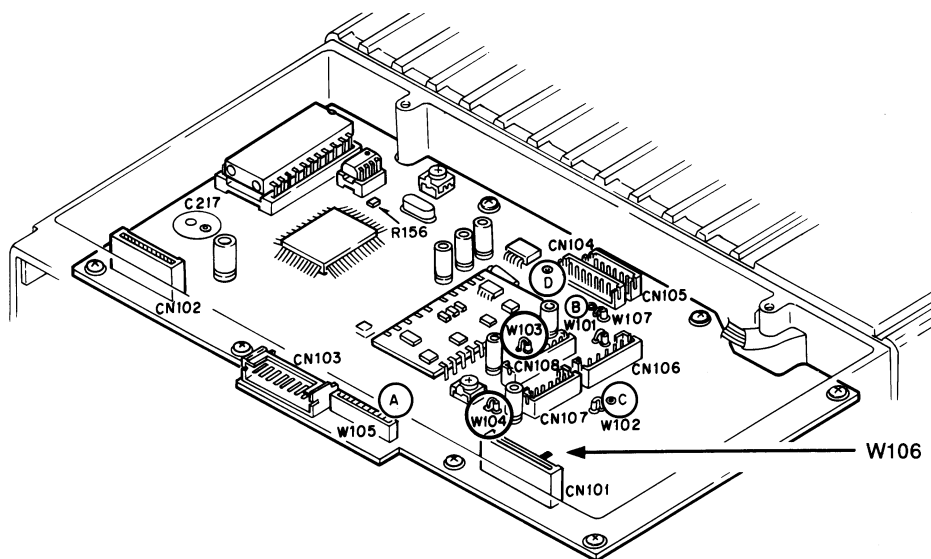


Fig. 1-5 Control unit (X57- A/4)

2-2. Assembly of Displays (displays 1 and 2) (Fig. 2)

1. Same as the KRK-2 display assembly procedure in Section 1-2. (Assemble the two displays in the same way.) See page 2.

2-3. Control cable connection (Fig. 6)

1. Use two control cables. Connect one end of one of the control cables to radio 1 (with KRK-3DH) and the other end to display 1. Connect one connector of the other control cable to radio 1 (with KRK-3DH)

and the other to display 2. Connect each cable GND terminal with one of the binding screws (N35-3006-46) (1) supplied with each control cable.

2. Secure each of the two connectors to the KRK-3DH with two sems (N09-2166-05) (2) according to the installation condition of radio 1. Pass the control cables through the grooves at both ends of the KRK-3DH and secure the cables to the KRK-3DH with the cable fitting (J21-4354-04) and screws (N09-0335-05) (2) supplied with the KRK-3DH (4).
3. Secure the connectors of the control cables 3 to displays 1 and 2 with two sems (N09-2166-05) (3).

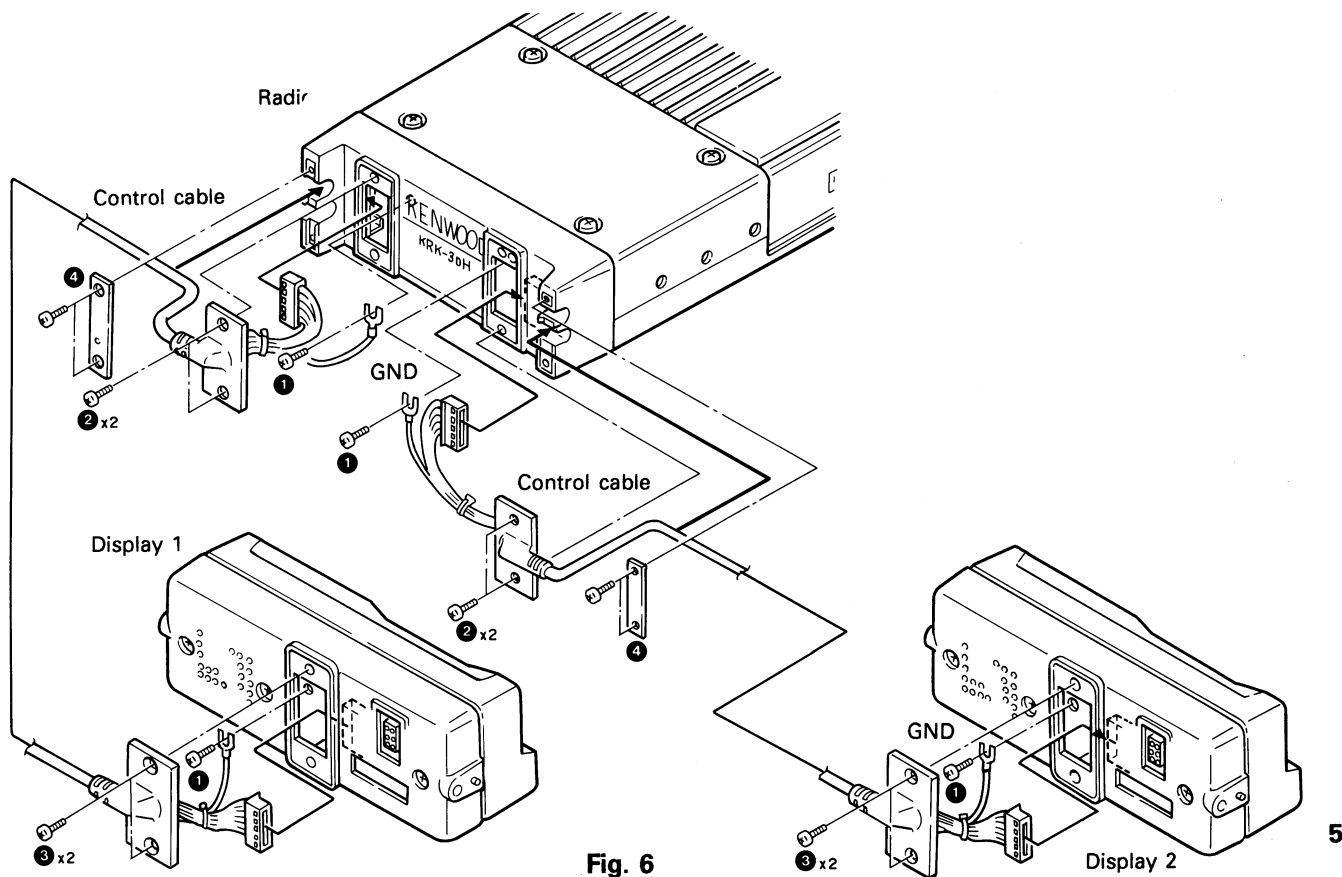


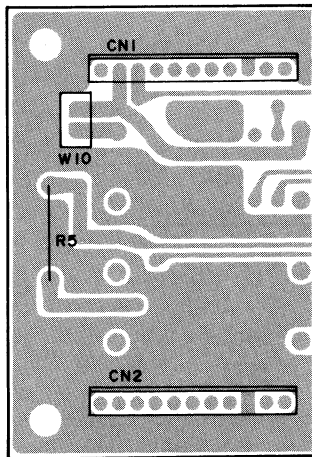
Fig. 6

KRK-2/3DH/4DB

INSTALLATION

2-4. Installation of displays 1 and 2 (Fig. 4)

1. Same as the KRK-2 display installation procedure in Section 1-4. (Install two displays.) See page 4.



2-5. Other modification (Fig. 5)

1. You can obtain the 12-W audio output from W703 of display 1 by shorting W10 on the KRK-3DH.

Note: If you use the KCH-3, you cannot use the internal speaker because its maximum input is 5 W. (Only display 1) Use the optional external speaker (KES-4).

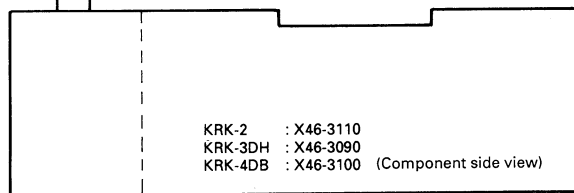


Fig. 5

3. Installing the Dual-Band Remote Kit (KRK-4DB)

The KRK-4DB remote kit controls two TK-630/730/830 series radios with one display (KCH-3 or KCH-4). The KRK-3DH is connected to one KCH-3 or KCH-4 and two radios (radios 1 and 2) with two optional control cables. There are three versions of the control cable: KCT-12A (8 feet), KCT-12B (17 feet), and KCT-12C (25 feet).

Note: For a combination of radio 1 and radio 2, see the system set-up "Table showing combinations of dual band" in the service manual for each radio.

3-1. Connection of radio 1 and KRK-4DB A/2 (unit with a relay) (Fig. 1-3)

1. Remove the upper and lower halves of the case of radio 1.
2. Connect W105 on the control unit (X57-A/4) of radio 1 to CN52 of the KRK-4DB A/2
3. Connect W55 on the KRK-4DB A/2 to control unit CN103.
4. Install the KRK-4DB A/2 on radio 1 using the four flat-headed screws (N32-3006-46) (1).
5. Short W106 on the control unit by soldering. (Fig. 1-5)
6. Reassemble the upper and lower halves of the case of radio 1.

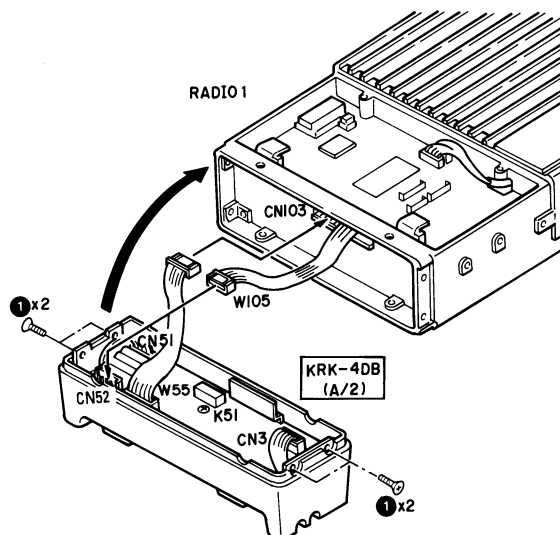


Fig. 1-3

INSTALLATION

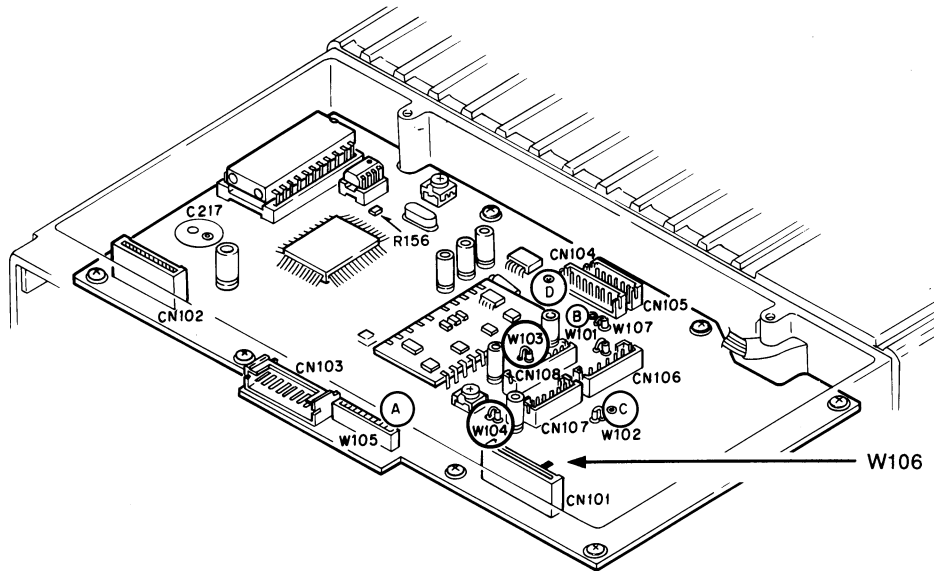


Fig. 1-5 Control unit (X57- A/4)

3-2. Connection of radio 2 and KRK-4DB B/2 (Fig. 1-4)

1. Remove the upper and lower halves of the case of radio 2.
2. Connect W105 on the control unit of radio 2 to CN2 of the KRK-4DB B/2.
3. Connect W5 on the KRK-4DB B/2 to control unit CN103.
4. Install the KRK-4DB B/2 on radio 2 using the four flat-headed screws (N32-3006-46) (1). (Fig. 1-3)
5. Cut W102 on the control unit, then connect A and C on the control unit. (Fig. 8)
6. Reassemble the upper and lower halves of the case of radio 2.

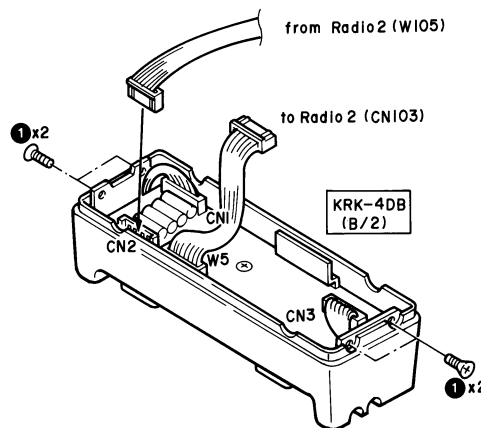


Fig. 1-4

KRK-2/3DH/4DB

INSTALLATION

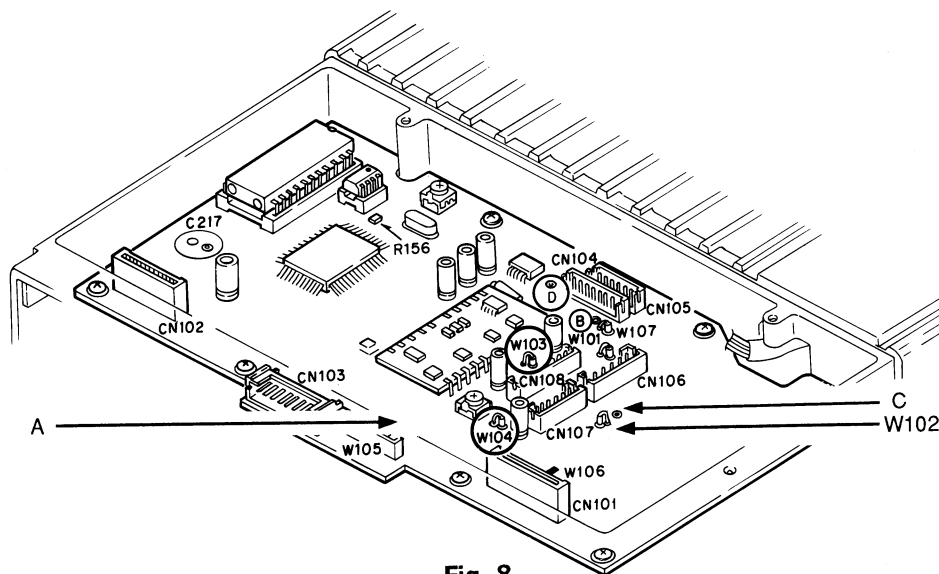


Fig. 8

3-3. Connection of radio 1 and radio 2 (Fig. 7)

1. Connect one end of one of the control cables to the TO RADIO connector (right) of radio 1, and the other end to the TO RADIO connector of radio 2. Connect each cable GND terminal with one of the binding screws (N35-3006-46) supplied with each control cable (1).

2. Secure the control cable connectors to radio 1 and the radio 2 with two sems (2) according to the installation condition of the radios. Pass the control cables through the grooves at both ends of the KRK-4DB and secure the cables to the KRK-4DB A/2 and B/2 with the cable fitting (J21-4354-04) and screws (N09-0335-05) (2) supplied with the KRK-4DB.

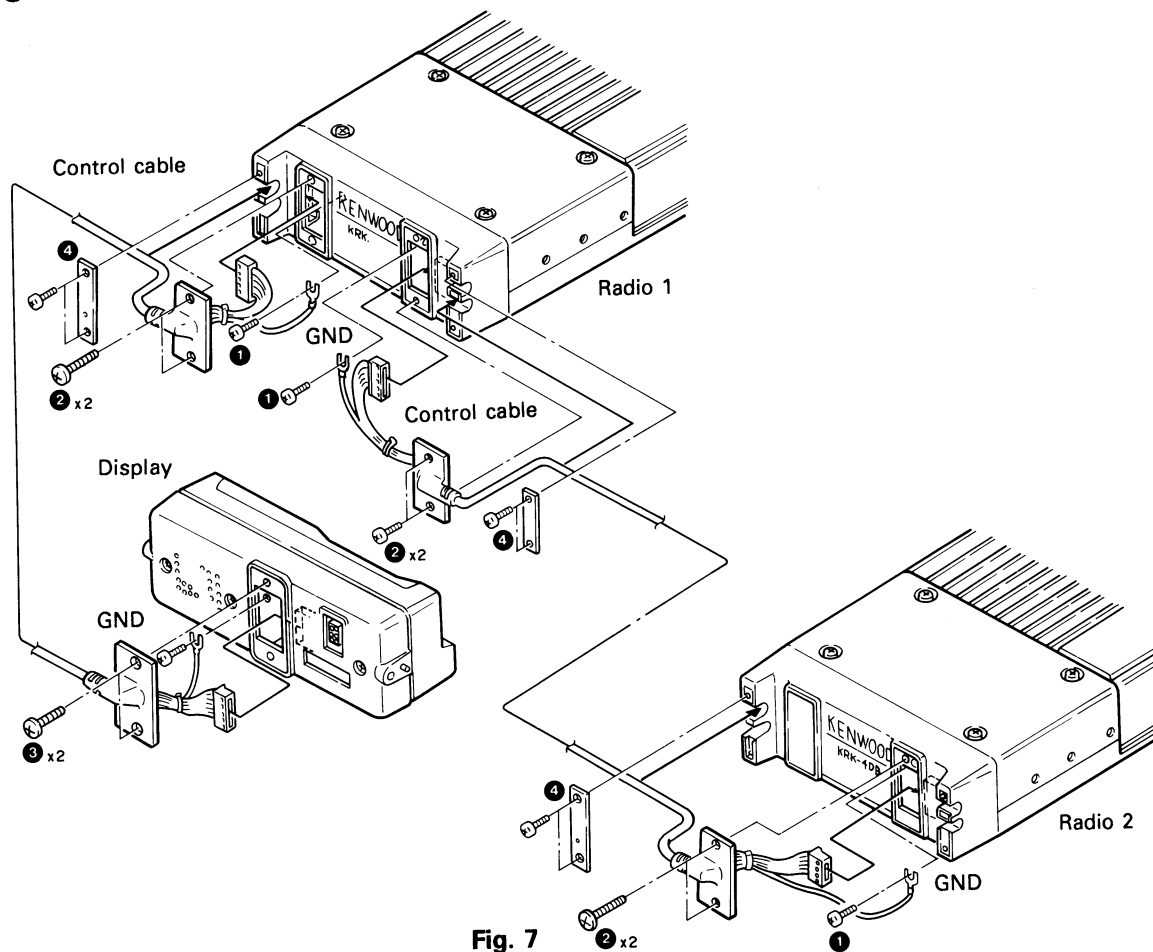


Fig. 7

INSTALLATION

3-4. Assembly of Display (Fig. 2)

1. Same as the KRK-2 display assembly procedure in Section 1-2. See page 2.

3-5. Connection of radio 1 and display (Fig. 7)

1. Connect one end of one of the control cables to the TO CONTROL connector of radio 1, and the other end to the TO RADIO connector of the display. Connect each of the GND terminals at both ends of the cable to radio 1 (with KRK-4DB A/2) and the display with one of the binding screws (N35-3006-46) (1) supplied with the control cable.
2. Secure the control cable connectors to radio 1 (with KRK-4DB A/2) and the display with two sems (3) according to the installation condition of the radio.

Pass the control cable through the groove on the back of the KRK-4DB A/2 and secure the cable to the KRK-4DB A/2 with the cable fitting and screws (2) supplied with the KRK-4DB A/2.

3-6. Installation of display (Fig. 4)

1. Same as the KRK-2 display installation procedure in Section 1-4. See page 4.

3-7. Other modification (Fig. 5)

1. You can obtain the 12-W audio output from W703 of the display by shorting W10 on the KRK-4DB.

Note: If you use the KCH-3, you cannot use the internal speaker because its maximum input is 5 W. Use the optional external speaker (KES-4).

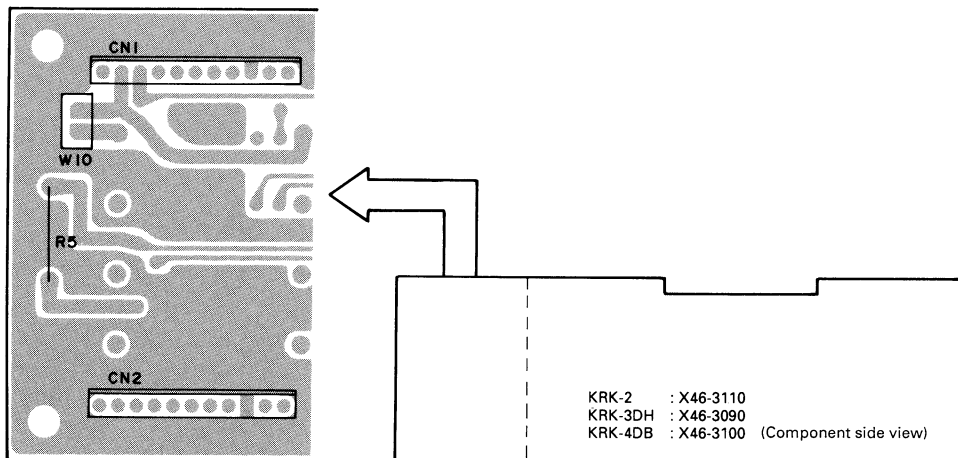


Fig. 5