

# KENWOOD

## **Document Copyrights**

Copyright 2006 by Kenwood Corporation. All rights reserved.

No part of this manual may be reproduced, translated, distributed, or transmitted in any form or by any means, electronic, mechanical, photocopying, recording, or otherwise, for any purpose without the prior written permission of Kenwood.

## **Disclaimer**

While every precaution has been taken in the preparation of this manual, Kenwood assumes no responsibility for errors or omissions. Neither is any liability assumed for damages resulting from the use of the information contained herein. Kenwood reserves the right to make changes to any products herein at any time for improvement purposes.

MULTI-FUNCTION MICROPHONE WITH DTMF

# MC-57DM/58DM

## SERVICE MANUAL

# KENWOOD

© 2002-2 PRINTED IN JAPAN  
B51-8625-00 (S) 789



**MC-57DM**



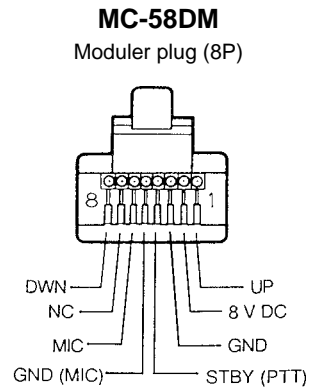
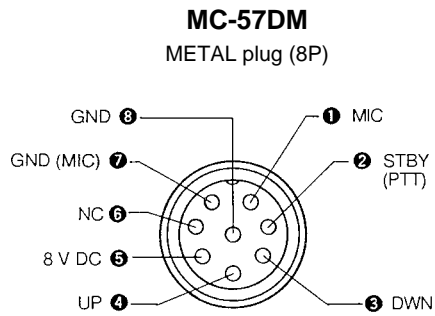
**MC-58DM**

## SPECIFICATIONS

Type	Electret capacitor
Power requirement	8.0 V DC $\pm 10\%$
Current drain	35 mA or less
Dimensions (WxHxD)	65 x 90 x 30 mm 2 9/16 x 3 17/32 x 1 3/16 inches
Weight	Approx. 180 g/ 6.3 oz
Sensitivity	-52 $\pm 3$ dB (at 1 kHz) (0 dB = 1 V/Pa)

# MC-57DM/58DM

## CONNECTOR END VIEW



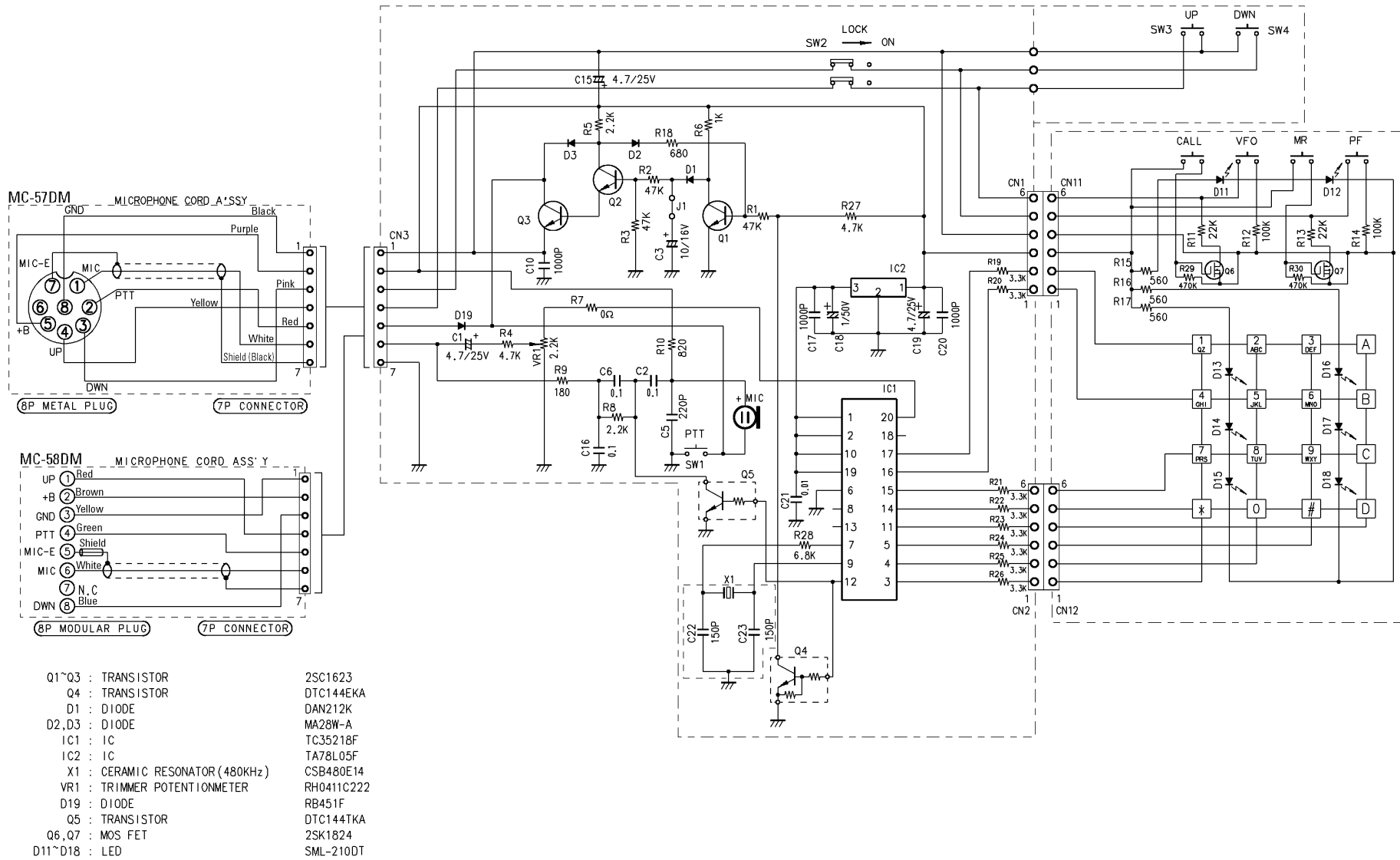
## ADJUSTMENT

Item	Condition	Test equipment/Measurement	Adjustment	Specifications/Remarks
DTMF output level	[3] [6] key at same time push	<p>MC-57DM</p> <p>MC-58DM</p>	VR1	2.4mV $\pm$ 0.01mV

\* When you change the R10 from 820 $\Omega$  to 1.8k $\Omega$ , the microphone sensitivity increases approximately 6dB.

# SCHEMATIC DIAGRAM

# MC-57DM/58DM



- |                                 |            |
|---------------------------------|------------|
| Q1~Q3 : TRANSISTOR              | 2SC1623    |
| Q4 : TRANSISTOR                 | DTC144EKA  |
| D1 : DIODE                      | DAN212K    |
| D2, D3 : DIODE                  | MA28W-A    |
| IC1 : IC                        | TC35218F   |
| IC2 : IC                        | TA78L05F   |
| X1 : CERAMIC RESONATOR (480KHz) | CSB480E14  |
| VR1 : TRIMMER POTENTIOMETER     | RH0411C222 |
| D19 : DIODE                     | RB451F     |
| Q5 : TRANSISTOR                 | DTC144TKA  |
| Q6, Q7 : MOS FET                | 2SK1824    |
| D11~D18 : LED                   | SML-210DT  |

# MC-57DM/58DM

## PARTS LIST

MC-57DM/58DM (Y58-3490-21/Y58-3500-21)

\* New Parts.

Ref. No.	Address	New parts	Parts No.	Description	Destination
		*	A02-3760-08	CABINET(FRONT)	
		*	A02-3761-08	CABINET(REAR)	
		*	B62-1660-00	INSTRUCTION MANUAL	
			E30-3243-08	CURL CABLE(8P METAL)	57DM
			E30-3240-08	CURL CABLE(8P MODULER)	58DM
			J29-0630-08	HOOK	
		*	K29-9225-08	KNOB ASSY(PTT)	
			K29-5102-08	KNOB(UP,DOWN)	
		*	K29-5439-08	KEY TOP(20KEY)	
			K29-5104-08	KNOB(LOCK)	
			N53-3020-41	FLAT HEAD TAPPING SCREW(HOOK)	
SW3,4			S40-1117-05	TACT SWITCH(UP,DOWN)	
SW2			S62-0441-08	SLIDE SWITCH(LOCK)	
SW1			S70-0465-08	TACT SWITCH(PTT)	
			T91-0570-08	MIC ELEMENT	

## KENWOOD CORPORATION

14-6, Dogenzaka 1-chome, Shibuya-ku, Tokyo 150-8501, Japan

### KENWOOD SERVICE CORPORATION

P.O. BOX 22745, 2201 East Dominguez Street, Long Beach, CA 90801-5745, U.S.A.

### KENWOOD ELECTRONICS CANADA INC.

6070 Kestrel Road, Mississauga, Ontario, Canada L5T 1S8

### KENWOOD ELECTRONICS DEUTSCHLAND GMBH

Rembrücker Str. 15, 63150 Heusenstamm, Germany

### KENWOOD ELECTRONICS BELGIUM N.V.

Leuvensesteenweg 248 J, 1800 Vilvoorde, Belgium

### KENWOOD ELECTRONICS FRANCE S.A.

13, Boulevard Ney, 75018 Paris, France

### KENWOOD ELECTRONICS U.K. LIMITED

KENWOOD House, Dwight Road, Watford, Herts., WD1 8EB United Kingdom

### KENWOOD ELECTRONICS EUROPE B.V.

Amsterdamseweg 37, 1422 AC Uithoorn, The Netherlands

### KENWOOD ELECTRONICS ITALIA S.p.A.

Via G. Sirtori, 7/9 20129 Milano, Italy

### KENWOOD IBERICA S.A.

Bolivia, 239-08020 Barcelona, Spain

### KENWOOD ELECTRONICS AUSTRALIA PTY. LTD.

(A.C.N. 001 499 074)

16 Giffnock Avenue, Centrecourt Estate, North Ryde, N.S.W. 2113, Australia

### KENWOOD ELECTRONICS (HONG KONG) LTD.

Unit 3712-3724, Level 37, Tower one Metroplaza, 223 Hing Fong Road, Kwai Fong, N.T., Hong Kong

### KENWOOD ELECTRONICS TECHNOLOGIES(S) PTE LTD.

Sales Marketing Division

1 Ang Mo Kio Street 63, Singapore 569110

