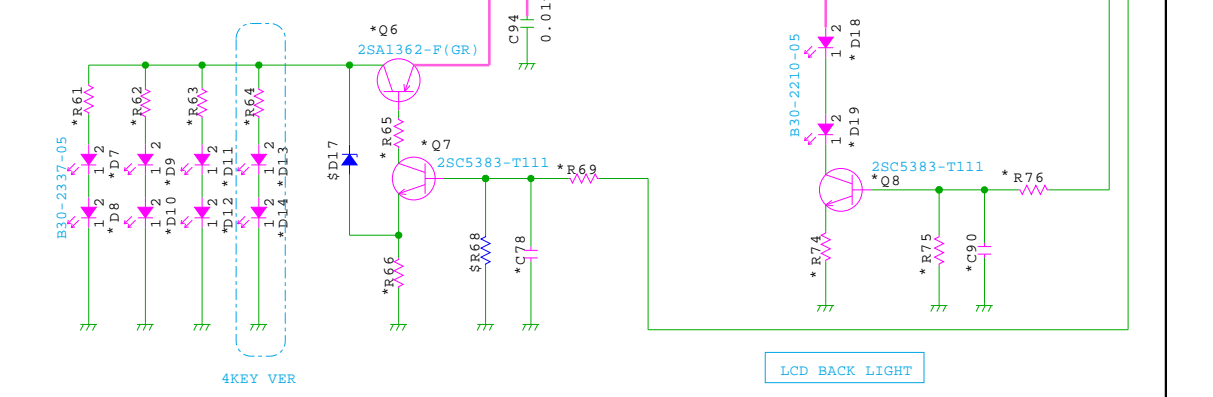
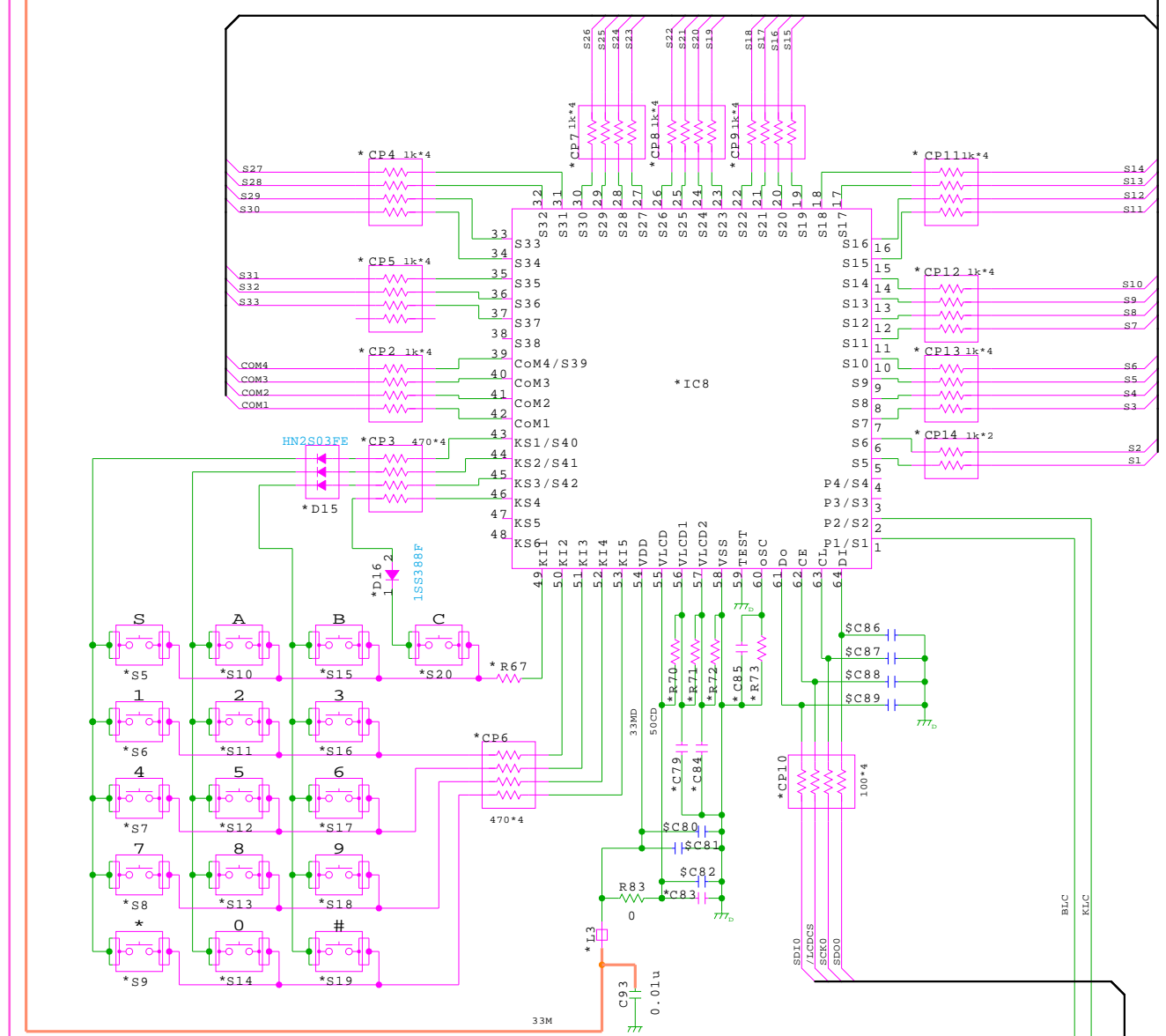
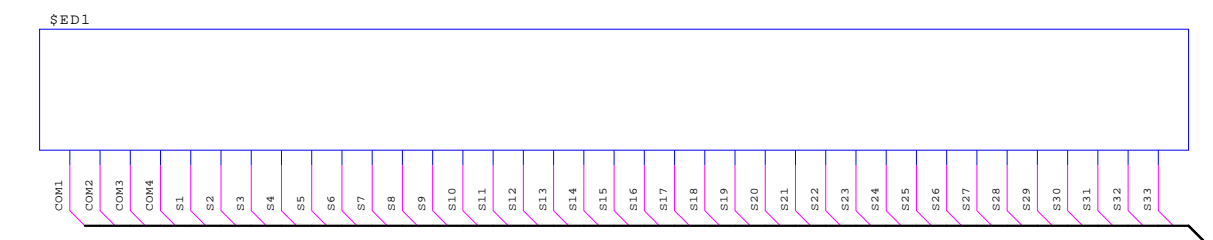
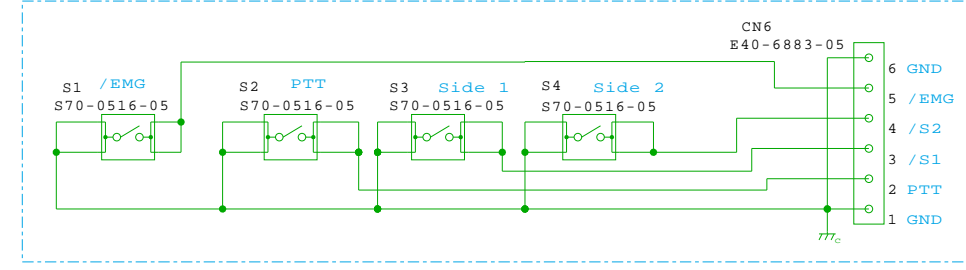
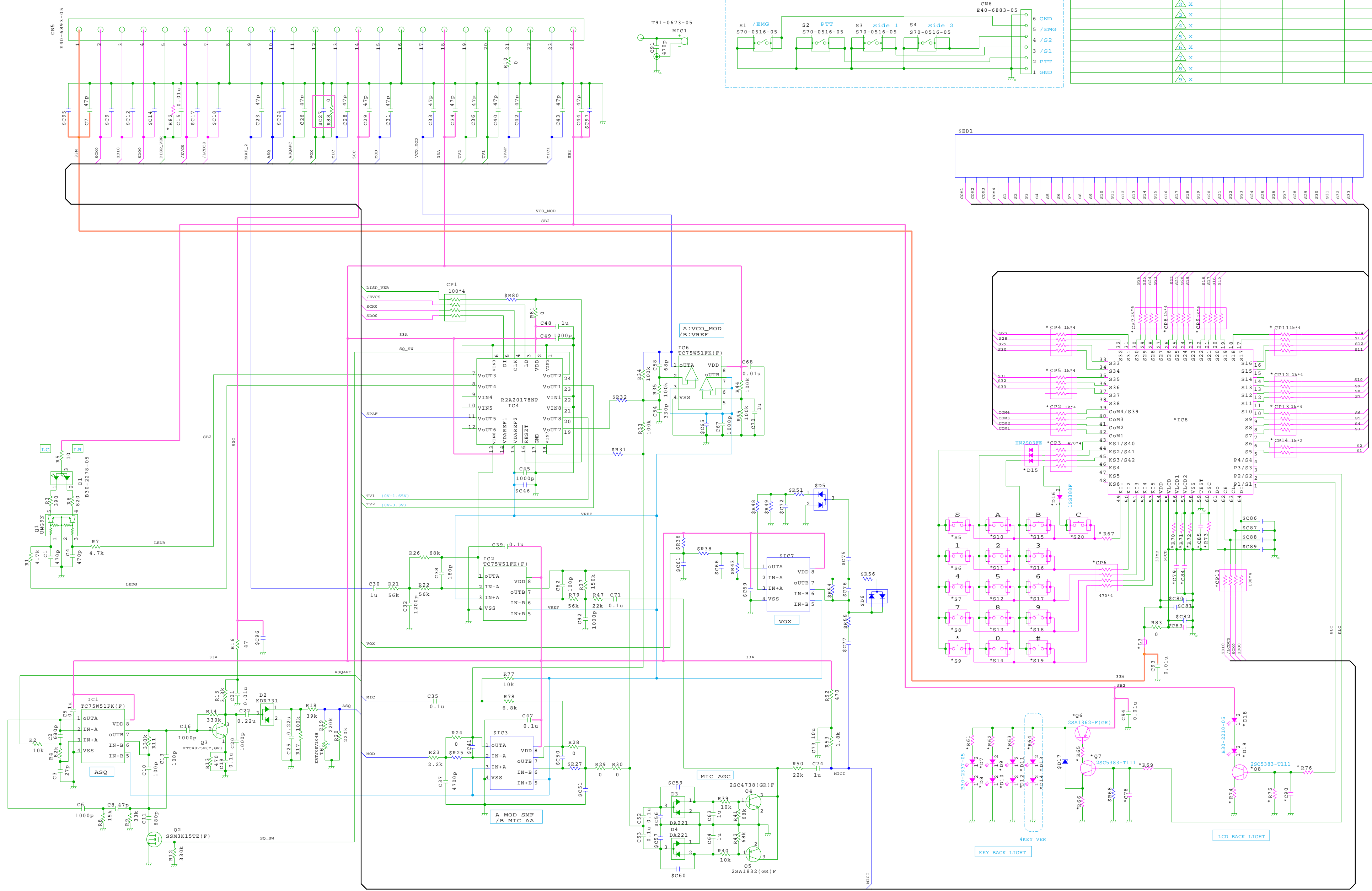
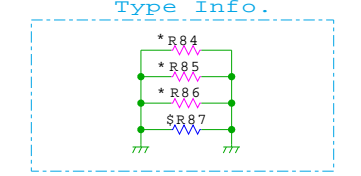


USE FOR	SYMBOL	REVISION NO	ISSUED	DATE
X54-376*-**	△	X		
	△	X		
	△	X		
	△	X		
	△	X		
	△	X		
	△	X		
	△	X		
	△	X		
	△	X		



EX-4309/10 NXDN MID TIER



DESIGNED	DRAWN	CHECKED	APPROVED	PART NAME
20/AUG/2010	20/AUG/2010	20/AUG/2010	20/AUG/2010	回路図
S.GOTO	T.OTO	Y.TOYOSHIMA	K.TAMAI	Schematic Diagram
				Process Version Page
株式会社ケンウッド KENWOOD CORPORATION				Z92-1326-03 1 00