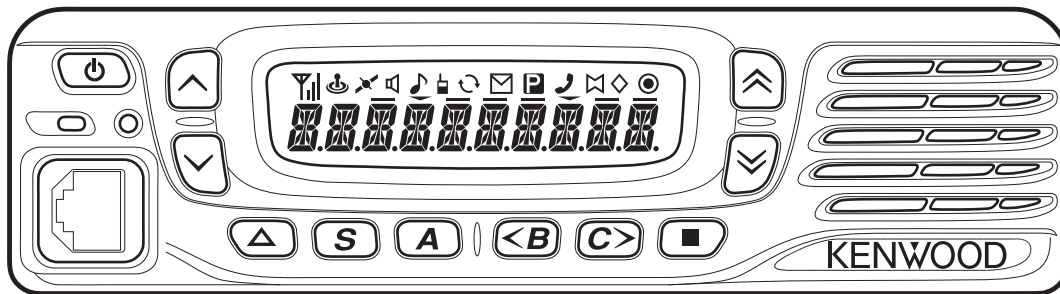


KENWOOD

SERVICE MANUAL

VHF FM TRANSCEIVER, UHF FM TRANSCEIVER

TK-7360, TK-7360H, TK-7360H(V)
TK-8360, TK-8360H, TK-8360H(U)



SUPPLEMENT

This service manual has been revised due to the modification of the Audio IC.
Refer to the TK-7360/7360H/7360H(V) (K,M,M2) service manual (B51-8952-10) or TK-7360 (E) service manual (B51-8984-00) or TK-8360/8360H/8360H(U) (K,M) service manual (B51-8953-10) or TK-8360/8360H (K2,M2) service manual (B51-8964-00) or TK-8360 (E) service manual (B51-8985-00) or TK-8360 (C6) service manual (B51-8990-00) or TK-8360 (X) service manual (B5B-7213-00) for any information which has not been covered in this service manual.

This product complies with the **RoHS** directive for the European market.



This product uses Lead Free solder.

CONTENTS

SERVICE MANUAL LIST	3
PARTS LIST	
TK-7360/7360H/7360H(V)	4
TK-8360/8360H/8360H(U)	16
EXPLODED VIEW	29
APPENDIX	
PC BOARD (Complete View)	
TX-RX UNIT (XC1-168X-XX)	
SCHEMATIC DIAGRAM (Complete View)	

Document Copyrights

Copyright 2017 by JVC KENWOOD Corporation. All rights reserved.

No part of this manual may be reproduced, translated, distributed, or transmitted in any form or by any means, electronic, mechanical, photocopying, recording, or otherwise, for any purpose without the prior written permission of JVC KENWOOD Corporation.

Disclaimer

While every precaution has been taken in the preparation of this manual, JVC KENWOOD Corporation assumes no responsibility for errors or omissions. Neither is any liability assumed for damages resulting from the use of the information contained herein. JVC KENWOOD Corporation reserves the right to make changes to any products herein at any time for improvement purposes.

TK-7360/7360H/7360H(V), TK-8360/8360H/8360H(U)

Service Manual List

Model name	Destination	Serial number	Firmware version	TX-RX unit number	Parts number	Remarks
TK-7360/7360H/7360H(V)	K, M, M2	-	-	X57-8020-XX (J79-0296-09)	B51-8952-10	Revised
TK-7360	E	-	-	X57-8022-71 (J79-0296-09)	B51-8984-00	First edition
TK-8360/8360H/8360H(U)	K, M	-	-	X57-8020-XX (J79-0296-09)	B51-8953-10	Revised
TK-8360/8360H	K2,M2	-	-	X57-8020-XX (J79-0296-09)	B51-8964-00	First edition
TK-8360	E	-	-	X57-8022-72 (J79-0296-09)	B51-8985-00	First edition
TK-8360	C6	-	-	X57-8023-01 (J79-0296-09)	B51-8990-00	First edition
TK-8360	X	-	-	X57-8550-22 (J79-0296-29)	B5B-7213-00	First edition
TK-7360	M	From B6710071	ver. 2.16 or later	XC1-168X-XX (J7C-0173-00)	B5B-7260-00	Supplement This service manual
TK-7360	M2	From B6710151 (The below serial numbers are not included in this modification. B6810551 ~ B6810680, B6810787 ~ B6810886)				
TK-7360	E	From B6710401	ver. 1.27 or later			
TK-7360H	K	From B6711301	ver. 2.16 or later			
TK-7360H	M	From B6710771				
TK-7360H(V)	K	From B6711601				
TK-8360	M	From B681XXXX				
TK-8360	M2	From B6A10001				
TK-8360	C6	From B6810003				
TK-8360	E	From B6810001	ver. 1.27 or later			
TK-8360	X	From B681XXXX	ver. 3.01 or later			
TK-8360H	K	From B6810001	ver. 2.16 or later			
TK-8360H	K2	From B6810001				
TK-8360H	M	From B681XXXX				
TK-8360H	M2	From B6810233				
TK-8360H(U)	K	From B6710001				

TK-7360/7360H/7360H(V)

PARTS LIST

△ indicates safety critical components.

Parts without **Parts No.** are not supplied.

Les articles non mentionnés dans le **Parts No.** ne sont pas fournis.

Teile ohne **Parts No.** werden nicht geliefert.

TK-7360/7360H/7360H(V)

DISPLAY UNIT (X54-3900-20)

Ref. No.	Address	Parts No.	Description	Desti- nation
TK-7360/7360H/7360H(V)				
1	1B	A02-4073-41	PLASTIC CABINET	
	2B	A1A-0091-00	CHASSIS	
3	3A	A62-1180-13	PANEL ASSY	
5	2B	B09-0732-03	CAP(D-SUB)	
7	3A	B43-1650-04	BADGE	
8	2D	B62-2278-10	INSTRUCTION MANUAL (E/R) ACCESSORY	C,D
8	2D	B62-2279-10	INSTRUCTION MANUAL (E/S/F) ACCESSORY	A,B
8	2D	B62-2282-20	INSTRUCTION MANUAL (BL) ACCESSORY	F
8	2D	B62-2291-10	INSTRUCTION MANUAL (E) ACCESSORY	E
10	2B	E04-0167-15	RF COAXIAL RECEPTACLE (M)	A,B,C,D,E
10	2B	E04-0454-15	RF COAXIAL RECEPTACLE (BNC)	F
11	2B	E23-1346-04	GROUND TERMINAL(CLIP)	A,B,D,F
12	1C	E30-7523-65	DC CORD ASSY ACCESSORY	
13	2B	E30-7684-35	DC CORD	
14	2A	E37-1461-05	FLAT CABLE (30P)	
15	1B	F10-3140-13	SHIELDING COVER	C,E,F
16	1C	F52-0024-05	FUSE (BLADE TYPE) 15A ACCESSORY	A,B,D
16	1C	FZB10AU-100	FUSE (BLADE TYPE) 15A ACCESSORY	C,E,F
17	1A	G10-1365-04	FIBROUS SHEET	
18	3B	G13-2363-04	CUSHION	
19	2B	G53-1643-04	PACKING(DC CORD)	
20	2B	G53-1662-04	PACKING (RECEPTACLE)	
21	1B	G53-1819-21	PACKING (CHASSIS)	
22	2A	G53-1820-03	PACKING (PANEL)	
23	3A	G53-1858-03	PACKING(SP)	
25	1C,1D	H12-3178-05	PACKING FIXTURE	
26	2D	H52-2674-22	ITEM CARTON CASE	
28	3D	J19-1584-15	HOLDER (MIC HANGER)	A,B
29	3A	J19-5542-12	HOLDER(SP)	
30	1C	J29-0726-03	BRACKET ACCESSORY	
32	3A	K29-9479-01	KEY TOP	
A	1A,1B	N35-2604-43	BINDING HEAD MACHINE SCREW	
B	1A,1B,2B	N67-3008-48	PAN HEAD SEMS SCREW	
C	2B	N87-2608-48	BRAZIER HEAD TAPTITE SCREW	
D	1A	N67-3010-48	PAN HEAD SEMS SCREW	
34	3D	N99-2039-05	SCREW SET ACCESSORY	
36	3A	T07-0785-15	SPEAKER	
37	2C	T91-0624-95	MICROPHONE (KMC-30) ACCESSORY	A
38	2C	T91-0639-75	MICROPHONE (KMC-35) ACCESSORY	B
-		X54-3900-20	DISPLAY UNIT	
-		XCA-022E-01	SERVICE TX-RX UNIT	F
-		XCA-022K-01	SERVICE TX-RX UNIT	A
-		XCA-022K-02	SERVICE TX-RX UNIT	B
-		XCA-022M-00	SERVICE TX-RX UNIT	C
-		XCA-022M-01	SERVICE TX-RX UNIT	D
-		XCA-022M-02	SERVICE TX-RX UNIT	E

Ref. No.	Address	Parts No.	Description	Desti- nation
DISPLAY UNIT (X54-3900-20)				
C1		CC73HCH1H101J	CHIP C 100PF	J
C2		CK73HB1H221K	CHIP C 220PF	K
C3		CK73HB1H221K	CHIP C 220PF	K
C4		CC73HCH1H101J	CHIP C 100PF	J
C5		CK73HB1H221K	CHIP C 220PF	K
C6		CK73HBB1H471K	CHIP C 470PF	K
C7		CK73HBB1H102K	CHIP C 1000PF	K
C8		CK73HB1H221K	CHIP C 220PF	K
C9		CK73HBB1H471K	CHIP C 470PF	K
C10		CK73HBB1H102K	CHIP C 1000PF	K
C11		CK73HB1H221K	CHIP C 220PF	K
C12		CC73HCH1H101J	CHIP C 100PF	J
C13		CK73HBB1E103K	CHIP C 0.01UF	K
C14		CK73HBB1H102K	CHIP C 1000PF	K
C15		CK73HBB1H102K	CHIP C 1000PF	K
C20		CC73HCH1H101J	CHIP C 100PF	J
C21		CK73HBB1E103K	CHIP C 0.01UF	K
C22		CK73HB1H221K	CHIP C 220PF	K
C23		CK73HBB1H102K	CHIP C 1000PF	K
C24		CK73HBB1E103K	CHIP C 0.01UF	K
C25		CK73HBB1H471K	CHIP C 470PF	K
C26		CK73HBB1H471K	CHIP C 470PF	K
C27		CK73HB1A105K	CHIP C 1.0UF	K
C28		CK73HB1A105K	CHIP C 1.0UF	K
C29		CK73HBB1H102K	CHIP C 1000PF	K
C30		CK73HBB1H102K	CHIP C 1000PF	K
C31		CK73HBB1H102K	CHIP C 1000PF	K
C32		CK73HBB1C473K	CHIP C 0.047UF	K
C33		CK73HBB1C473K	CHIP C 0.047UF	K
CN1		E40-6851-05	FLAT CABLE CONNECTOR	
CP1		RK74HB1J102J	CHIP-COM 1.0K J 1/16W	
101	2A	B11-1885-03	ILLUMINATION GUIDE	
102	2A	B38-0936-15	LCD	
103	2A	E29-1231-15	INTER CONNECTOR(LCD)	
104	2A	J21-8629-03	MOUNTING HARDWARE (LCD)	
D1		UDZW6.2(B)	ZENER DIODE	
D2		DA221	DIODE ARRAY	
D5		B30-2337-05	LED (YELLOW)	
D6		B30-2337-05	LED (YELLOW)	
D7		B30-2337-05	LED (YELLOW)	
D8		B30-2337-05	LED (YELLOW)	
D9		B30-2337-05	LED (YELLOW)	
D10		MC2850	DIODE	
D11		B30-2337-05	LED (YELLOW)	
D12		B30-2337-05	LED (YELLOW)	
D13		B30-2337-05	LED (YELLOW)	
D14		B30-2337-05	LED (YELLOW)	
D15		B30-2337-05	LED (YELLOW)	
D16		B30-2337-05	LED (YELLOW)	
D17		B30-2337-05	LED (YELLOW)	
D18		B30-2337-05	LED (YELLOW)	
D19		B30-2337-05	LED (YELLOW)	
D20		B30-2337-05	LED (YELLOW)	
D21		B30-2337-05	LED (YELLOW)	

PARTS LIST

DISPLAY UNIT (X54-3900-20)

TX-RX UNIT (XC1-168X-XX)

Ref. No.	Address	Parts No.	Description	Desti- nation	Ref. No.	Address	Parts No.	Description	Desti- nation
D22	3A	B30-2321-05	LED (BLUE LED)		C8		CK73HBB1A104K	CHIP C 0.1UF K	
D23	3A	B30-2151-05	LED (RED/GREEN)		C9		CK73HBB1A104K	CHIP C 0.1UF K	
D24		B30-2337-05	LED (YELLOW)		C10		CK73HBB1H102K	CHIP C 1000PF K	
IC1		LC75857W-E	MOS-IC		C11		CC73GCH1H101J	CHIP C 100PF J	
J1	3A	E58-0535-05	MODULAR JACK(MIC)		C12		CC73HCH1H200J	CHIP C 20PF J	
L1		LB73G0BD-005	CHIP FERRITE		C14		CC73HCH1H101J	CHIP C 100PF J	
Q2		LTC014EEBFS8	DIGI TRANSISTOR		C16		CC73HCH1H101J	CHIP C 100PF J	
Q3		LTC014EEBFS8	DIGI TRANSISTOR		C17		CC73HCH1H080B	CHIP C 8.0PF B	
Q4		LTA014EEBFS8	DIGI TRANSISTOR		C19		CK73FBB0J106K	CHIP C 10UF K	
Q5		LTA014EEBFS8	DIGI TRANSISTOR		C21		CK73HBB1A104K	CHIP C 0.1UF K	
Q6		LTC014EEBFS8	DIGI TRANSISTOR		C22		CK73HXR0J105K	CHIP C 1.0UF K	
Q7		KRA225S	TRANSISTOR		C23		CK73HBB1A104K	CHIP C 0.1UF K	
Q8		DRC2114E0	TRANSISTOR		C24		CK73HBB1A104K	CHIP C 0.1UF K	
Q9		KRX102U	TRANSISTOR		C25		CK73FBB0J106K	CHIP C 10UF K	
Q10		2SB798AZ(DLDK)	TRANSISTOR		C27		CK73HBB1A104K	CHIP C 0.1UF K	
R1		RK73HB1J100J	CHIP R 10 J 1/16W		C28		CK73FBB0J106K	CHIP C 10UF K	
R2		RK73HB1J103J	CHIP R 10K J 1/16W		C29		CK73HBB1H471K	CHIP C 470PF K	
R3		RK73HB1J103J	CHIP R 10K J 1/16W		C30		CK73HBB1E103K	CHIP C 0.01UF K	
R4		RK73HB1J103J	CHIP R 10K J 1/16W		C31		CK73HBB1A104K	CHIP C 0.1UF K	
R5		RK73HB1J102J	CHIP R 1.0K J 1/16W		C32		CK73HBB1H102K	CHIP C 1000PF K	
R6		RK73HB1J150J	CHIP R 15 J 1/16W		C33		CK73HBB1H102K	CHIP C 1000PF K	
R7		RK73HB1J000J	CHIP R 0.0 J 1/16W		C36		CK73HBB1H471K	CHIP C 470PF K	
R8		RK73FB2B000J	CHIP R 0.0 J 1/8W		C37		CC73HCH1H040B	CHIP C 4.0PF B	
R9		RK73HB1J000J	CHIP R 0.0 J 1/16W		C40		CC73HCH1H060B	CHIP C 6.0PF B	
R12		RK73HB1J101J	CHIP R 100 J 1/16W		C41		CC73HCH1H030B	CHIP C 3.0PF B	F
R14		RK73HB1J122J	CHIP R 1.2K J 1/16W		C41		CC73HCH1H3R5B	CHIP C 3.5PF B	A,B,C,D,E
R15		RK73HB1J000J	CHIP R 0.0 J 1/16W		C42		CS77MA1V0R1M	CHIP TNTL 0.1UF 35WV	
R17		RK73HB1J000J	CHIP R 0.0 J 1/16W		C43		CK73HBB1H471K	CHIP C 470PF K	
R18		RK73HB1J181J	CHIP R 180 J 1/16W		C45		CC73HCH1H390J	CHIP C 39PF J	
R19		RK73HB1J820J	CHIP R 82 J 1/16W		C46		CC73HCH1H470J	CHIP C 47PF J	
R20		RK73HB1J000J	CHIP R 0.0 J 1/16W		C47		CK73HBB1H471K	CHIP C 470PF K	
R22		RK73HB1J000J	CHIP R 0.0 J 1/16W		C48		CS77BA1E010M	CHIP TNTL 1.0UF 25WV	A,B,C,D,E
R23		RK73HB1J473J	CHIP R 47K J 1/16W		C48		CS77MA1V2R2M	CHIP TNTL 2.2UF 35WV	F
R24		RK73HB1J103J	CHIP R 10K J 1/16W		C49		CC73HCH1H270J	CHIP C 27PF J	
R25		RK73HB1J103J	CHIP R 10K J 1/16W		C50		CC73GCH1H080B	CHIP C 8.0PF B	
R26		RK73HB1J123J	CHIP R 12K J 1/16W		C51		CC73HCH1H390J	CHIP C 39PF J	
R27		RK73HB1J473J	CHIP R 47K J 1/16W		C52		CC73HCH1H330J	CHIP C 33PF J	
R28		RK73HB1J151J	CHIP R 150 J 1/16W		C55		CK73HBB1H102K	CHIP C 1000PF K	
R29		RK73HB1J151J	CHIP R 150 J 1/16W		C56		CC73HCH1H060B	CHIP C 6.0PF B	A,B,C,D,E
R30		RK73HB1J121J	CHIP R 120 J 1/16W		C56		CC73HCH1H100C	CHIP C 10PF C	F
R31		RK73HB1J121J	CHIP R 120 J 1/16W		C57		C93-1906-05	CHIP C 0.047UH J	A,B,C,D,E
R32		RK73HB1J103J	CHIP R 10K J 1/16W		C57		CS77MA1V0R1M	CHIP TNTL 0.1UF 35WV	F
R33		RK73HB1J000J	CHIP R 0.0 J 1/16W		C59		CK73HBB1H102K	CHIP C 1000PF K	
R34		RK73HB1J151J	CHIP R 150 J 1/16W		C61		C93-1906-05	CHIP C 0.047UH J	F
R35		RK73HB1J151J	CHIP R 150 J 1/16W		C63		CC730AD1H104J	CHIP C 0.1UF J	
R36		RK73HB1J151J	CHIP R 150 J 1/16W		C65		CK73HBB1A104K	CHIP C 0.1UF K	
R37		RK73HB1J151J	CHIP R 150 J 1/16W		C68		CC73HCH1H390J	CHIP C 39PF J	
					C70		CC73HCH1H680J	CHIP C 68PF J	
					C72		CK73HBB1H102K	CHIP C 1000PF K	
					C74		CK73HBB1H102K	CHIP C 1000PF K	
					C75		CK73FBB0J106K	CHIP C 10UF K	
					C77		CC73HCH1H820J	CHIP C 82PF J	
					C79		CC73HCH1H300J	CHIP C 30PF J	
					C80		CC73HCH1H101J	CHIP C 100PF J	
					C82		CC73HCH1HR75B	CHIP C 0.75PF B	
					C83		CK73HBB1H102K	CHIP C 1000PF K	
					C84		CK73HBB1H102K	CHIP C 1000PF K	
					C85		CK73GBB1H102K	CHIP C 1000PF K	
					C86		CK73GBB1H102K	CHIP C 1000PF K	
					C87		CC73HCH1H040B	CHIP C 4.0PF B	
TX-RX UNIT (XC1-168X-XX) E-01:F K-00:A,B,D M-01:C,E									
C1		CK73HBB1H471K	CHIP C 470PF K						
C2		CC73HCH1H101J	CHIP C 100PF J						
C5		CC73HCH1H101J	CHIP C 100PF J						
C6		CC73HCH1H101J	CHIP C 100PF J						
C7		CK73HBB1H102K	CHIP C 1000PF K						

A:TK-7360H K B:TK-7360H(V) K C:TK-7360 M

D:TK-7360H M E:TK-7360 M2 F:TK-7360 E

TK-7360/7360H/7360H(V)

PARTS LIST

TX-RX UNIT (XC1-168X-XX)

Ref. No.	Address	Parts No.	Description	Desti- nation	Ref. No.	Address	Parts No.	Description	Desti- nation
C88		CC73HCH1H040B	CHIP C 4.0PF B		C335		C93-0555-05	CHIP C 5PF C	C,E
C89		CK73GBB1H102K	CHIP C 1000PF K		C335		C93-0559-05	CHIP C 9.0PF D	A,B,D
C90		CK73GBB1H102K	CHIP C 1000PF K		C338		CK73HBB1A104K	CHIP C 0.1UF K	
C91		CC73HCH1H060B	CHIP C 6.0PF B		C339		CK73GBB1H102K	CHIP C 1000PF K	
C92		CC73HCH1H080B	CHIP C 8.0PF B		C342		CK73HBB1H102K	CHIP C 1000PF K	
C93		CC73HCH1H3R5B	CHIP C 3.5PF B		C343		CK73GBB1H102K	CHIP C 1000PF K	
C94		CC73HCH1H060B	CHIP C 6.0PF B		C345		CK73GBB1H103K	CHIP C 0.01UF K	
C95		CK73HBB1H471K	CHIP C 470PF K		C346		CK73HBB1H102K	CHIP C 1000PF K	
C96		CC73HCH1H010B	CHIP C 1.0PF B		C347		CK73HBB1H102K	CHIP C 1000PF K	
C97		CC73HCH1H010B	CHIP C 1.0PF B		C348		CK73GBB1H103K	CHIP C 0.01UF K	
C98		CS77BB21C100M	CHIP TNTL 10UF 16WV		C349		CK73HBB1H102K	CHIP C 1000PF K	
C99		CK73HBB1H102K	CHIP C 1000PF K		C350		CC73GCH1H050B	CHIP C 5.0PF B	
C100		CK73HBB1H471K	CHIP C 470PF K		C351		C93-1877-05	CHIP C 12PF J	A,B,C,D,E
C101		CK73HBB1H102K	CHIP C 1000PF K		C351		C93-1882-05	CHIP C 33PF J	F
C102		CC73HCH1H180J	CHIP C 18PF J		C352		C93-1900-05	CHIP C 1000PF J	
C103		CC73HCH1H050B	CHIP C 5.0PF B		C353		C93-1900-05	CHIP C 1000PF J	
C104		CC73GCH1H050B	CHIP C 5.0PF B		C354		CC73GCH1H020B	CHIP C 2.0PF B	A,B,D
C105		CK73HBB1H102K	CHIP C 1000PF K		C354		CC73GCH1H080B	CHIP C 8.0PF B	C,E,F
C106		CK73HBB1H102K	CHIP C 1000PF K		C355		CC73GCH1H430J	CHIP C 43PF J	
C107		CK73HBB1H102K	CHIP C 1000PF K		C356		C93-0555-05	CHIP C 5PF C	F
C108		CC73HCH1H120J	CHIP C 12PF J		C356		C93-1878-05	CHIP C 15PF J	A,B,C,D,E
C109		CK73HBB1H102K	CHIP C 1000PF K		C357		C93-0552-05	CHIP C 2PF C	
C110		CC73GCH1H180J	CHIP C 18PF J		C358		CM73F2H180J	CHIP C 18PF J	C,E
C111		CK73HBB1E103K	CHIP C 0.01UF K		C358		CM73F2H200J	CHIP C 20PF J	A,B,D
C112		CK73HBB1H471K	CHIP C 470PF K		C358		CM73F2H220J	CHIP C 20PF J	F
C113		CK73HBB1H102K	CHIP C 1000PF K		C359		C93-0552-05	CHIP C 2PF C	
C114		CK73FB0J226M	CHIP C 22UF M		C361		C93-0554-05	CHIP C 4PF C	
C300		CC73GCH1H151J	CHIP C 150PF J		C363		C93-0559-05	CHIP C 9.0PF D	
C301		CC73HCH1H080B	CHIP C 8.0PF B		C363		C93-1878-05	CHIP C 15PF J	F
C302		CC73HCH1H070B	CHIP C 7.0PF B		C364		CK73GBB1H102K	CHIP C 1000PF K	A,B,C,D,E
C303		CK73HBB1H471K	CHIP C 470PF K		C366		CK73GBB1H102K	CHIP C 1000PF K	
C304		CC73HCH1H120J	CHIP C 12PF J		C367		CK73HBB1H102K	CHIP C 1000PF K	
C305		CK73HBB1H102K	CHIP C 1000PF K		C401		CK73HBB1A104K	CHIP C 0.1UF K	
C308		CC73HCH1H080B	CHIP C 8.0PF B	C,E,F	C402		CK73HBB1E103K	CHIP C 0.01UF K	
C308		CC73HCH1H130J	CHIP C 13PF J	A,B,D	C404		CS77BB21C220M	CHIP TNTL 22UF 16WV	
C309		CK73HBB1H102K	CHIP C 1000PF K		C406		CS77BB21C220M	CHIP TNTL 22UF 16WV	
C310		CC73HCH1H030B	CHIP C 3.0PF B	C,E,F	C407		CK73HBB1A104K	CHIP C 0.1UF K	
C310		CC73HCH1H2R5B	CHIP C 2.5PF B	A,B,D	C410		CK73HBB1A104K	CHIP C 0.1UF K	
C311		CK73HBB1E223K	CHIP C 0.022UF K		C411		CK73HBB1A104K	CHIP C 0.1UF K	
C312		CC73GCH1H151J	CHIP C 150PF J		C412		CK73HBB1A104K	CHIP C 0.1UF K	
C313		CS77BA1C4R7M	CHIP TNTL 4.7UF 16WV		C414		CK73HXR0J105K	CHIP C 1.0UF K	
C314		CK73GBB1H102K	CHIP C 1000PF K		C415		CK73GBB1H102K	CHIP C 1000PF K	
C319		CK73HBB1H471K	CHIP C 470PF K		C416		CK73HBB1H102K	CHIP C 1000PF K	
C321		CC73HCH1H101J	CHIP C 100PF J		C417		CK73HBB1H102K	CHIP C 1000PF K	
C322		CC73GCH1H040B	CHIP C 4.0PF B	F	C418		CK73GBB1A105K	CHIP C 1.0UF K	
C322		CK73GB1H221K	CHIP C 220PF K	A,B,C,D,E	C419		CK73GBB1H102K	CHIP C 1000PF K	
C324		CC73GCH1H220J	CHIP C 22PF J	A,B,C,D,E	C420		CS77BA1A100M	CHIP TNTL 10UF 10WV	
C325		CC73GCH1H101J	CHIP C 100PF J	F	C421		CK73HBB1H102K	CHIP C 1000PF K	
C325		CK73GBB1H102K	CHIP C 1000PF K	A,B,C,D,E	C422		CK73HBB1E103K	CHIP C 0.01UF K	
C326		CC73GCH1H101J	CHIP C 100PF J	A,B,C,D,E	C423		CK73GBB1H102K	CHIP C 1000PF K	
C326		CC73GCH1H121J	CHIP C 120PF J	F	C424		CK73GBB1H102K	CHIP C 1000PF K	
C327		CC73GCH1H101J	CHIP C 100PF J	A,B,C,D,E	C425		CK73HBB1E103K	CHIP C 0.01UF K	
C328		CK73HBB1A104K	CHIP C 0.1UF K		C426		CK73GBB1A105K	CHIP C 1.0UF K	
C330		CK73GBB1H102K	CHIP C 1000PF K		C427		CK73HBB1H102K	CHIP C 1000PF K	
C331		CC73GCH1H470J	CHIP C 47PF J	F	C428		CK73FB1E225K	CHIP C 2.2UF K	
C332		CC73GCH1H220J	CHIP C 22PF J	F	C429		CK73EB1E106K	CHIP C 10UF K	
C332		CK73GB1H471K	CHIP C 470PF K	A,B,C,D,E	C430		CK73HBB1H102K	CHIP C 1000PF K	
C333		CC73GCH1H470J	CHIP C 47PF J	A,B,C,D,E	C433		CK73HBB1A104K	CHIP C 0.1UF K	
C334		CC73GCH1H220J	CHIP C 22PF J	A,B,C,D,E	C434		CK73GBB1H102K	CHIP C 1000PF K	
C335		C93-0554-05	CHIP C 4PF C	F	C435		CK73GB1H221K	CHIP C 220PF K	

PARTS LIST

TX-RX UNIT (XC1-168X-XX)

Ref. No.	Address	Parts No.	Description	Desti- nation	Ref. No.	Address	Parts No.	Description	Desti- nation
C436		CK73GB1H471K	CHIP C 470PF K		C555		CK73HBB1E103K	CHIP C 0.01UF K	
C437		CC73GCH1H220J	CHIP C 22PF J		C556		CK73HBB1H102K	CHIP C 1000PF K	
C438		CK73GBB1H102K	CHIP C 1000PF K		C557		CK73GB1H471K	CHIP C 470PF K	
C439		CC73GCH1H470J	CHIP C 47PF J		C558		CK73HBB1H102K	CHIP C 1000PF K	
C440		CC73GCH1H270J	CHIP C 27PF J	F	C559		CK73HBB1E103K	CHIP C 0.01UF K	
C443		CK73GBB1H102K	CHIP C 1000PF K		C560		CK73HBB1H102K	CHIP C 1000PF K	
C444		CK73HB1A334K	CHIP C 0.33UF K		C561		CC73HCH1H220J	CHIP C 22PF J	
C446		CK73GB1H471K	CHIP C 470PF K		C562		CK73HBB1H102K	CHIP C 1000PF K	
C447		CK73GB1H221K	CHIP C 220PF K		C563		CK73HBB1H471K	CHIP C 470PF K	
C448		CK73GBB1H102K	CHIP C 1000PF K		C570		CC73HCH1H010B	CHIP C 1.0PF B	
C449		CK73HBB1H102K	CHIP C 1000PF K		C571		CC73HCH1H560J	CHIP C 56PF J	
C500		CC73HCH1H470J	CHIP C 47PF J		C572		CC73HCH1H040B	CHIP C 4.0PF B	
C502		CC73HCH1H010J	CHIP C 100PF J		C573		CK73HBB1H102K	CHIP C 1000PF K	
C504		CK73HBB1E103K	CHIP C 0.01UF K		C574		CC73HCH1H010B	CHIP C 1.0PF B	F
C505		CC73HCH1H470J	CHIP C 47PF J		C574		CC73HCH1H1R5B	CHIP C 1.5PF B	A,B,C,D,E
C506		CC73HCH1H160J	CHIP C 16PF J		C575		CC73HCH1H330J	CHIP C 33PF J	F
C508		CC73HCH1H270J	CHIP C 27PF J		C575		CC73HCH1H560J	CHIP C 56PF J	A,B,C,D,E
C509		CK73HBB1E103K	CHIP C 0.01UF K		C578		CC73HCH1H1R5B	CHIP C 1.5PF B	
C510		CK73HBB1A104K	CHIP C 0.1UF K		C579		CK73HBB1H102K	CHIP C 1000PF K	
C511		CK73HBB1A104K	CHIP C 0.1UF K		C580		CK73HBB1H471K	CHIP C 470PF K	
C512		CK73HBB1A104K	CHIP C 0.1UF K		C582		CK73HBB1A104K	CHIP C 0.1UF K	
C513		CK73HBB1A104K	CHIP C 0.1UF K		C583		CK73HBB1H102K	CHIP C 1000PF K	
C514		CK73HBB1A104K	CHIP C 0.1UF K		C585		CK73HBB1H102K	CHIP C 1000PF K	
C515		CK73HBB1A104K	CHIP C 0.1UF K		C586		CK73HBB1H471K	CHIP C 470PF K	
C517		CK73HBB1H102K	CHIP C 1000PF K		C587		CK73HBB1H102K	CHIP C 1000PF K	
C518		CK73HBB1E103K	CHIP C 0.01UF K		C588		CK73HBB1H471K	CHIP C 470PF K	
C519		CK73HB1H221K	CHIP C 220PF K	A,B,C,D,E	C589		CK73HBB1H471K	CHIP C 470PF K	
C519		CK73HB1H331K	CHIP C 330PF K	F	C590		CC73HCH1H020B	CHIP C 2.0PF B	
C520		CK73FBB0J106K	CHIP C 10UF K		C591		CC73GCH1H471J	CHIP C 470PF J	
C521		CK73HB1H221K	CHIP C 220PF K	A,B,C,D,E	C592		CC73HCH1H560J	CHIP C 56PF J	
C521		CK73HB1H331K	CHIP C 330PF K	F	C593		CC73HCH1H030B	CHIP C 3.0PF B	
C522		CK73HBB1A104K	CHIP C 0.1UF K		C594		CK73HBB1H102K	CHIP C 1000PF K	
C523		CK73HBB1A104K	CHIP C 0.1UF K		C595		CC73HCH1H030B	CHIP C 3.0PF B	
C524		CK73GBB1C104K	CHIP C 0.1UF K		C596		CC73HCH1H470J	CHIP C 47PF J	F
C525		CK73HBB1H102K	CHIP C 1000PF K		C596		CC73HCH1H560J	CHIP C 56PF J	A,B,C,D,E
C527		CK73HB1E562K	CHIP C 5600PF K		C597		CC73HCH1H020B	CHIP C 2.0PF B	A,B,C,D,E
C528		CC73HCH1H820J	CHIP C 82PF J		C597		CC73HCH1H030B	CHIP C 3.0PF B	F
C529		CC73HCH1H100C	CHIP C 10PF C	A,B,C,D,E	C598		CC73GCH1H240J	CHIP C 24PF J	
C529		CC73HCH1H330J	CHIP C 33PF J	F	C600		CC73HCH1H040B	CHIP C 4.0PF B	
C530		CK73HBB1E103K	CHIP C 0.01UF K		C601		CC73HCH1H070B	CHIP C 7.0PF B	
C531		CK73HBB1A104K	CHIP C 0.1UF K		C602		CC73HCH1H180J	CHIP C 18PF J	
C532		CK73HBB1H471K	CHIP C 470PF K		C605		CC73HCH1H080B	CHIP C 8.0PF B	
C533		CK73HBB1A104K	CHIP C 0.1UF K		C606		CC73HCH1H120J	CHIP C 12PF J	
C535		CK73HBB1H102K	CHIP C 1000PF K		C607		CK73HBB1H471K	CHIP C 470PF K	
C537		CK73HBB1A104K	CHIP C 0.1UF K	F	C700		CC73HCH1H010J	CHIP C 100PF J	
C538		CK73HBB1H102K	CHIP C 1000PF K		C701		CK73HBB1H102K	CHIP C 1000PF K	
C540		CK73HBB1H102K	CHIP C 1000PF K		C702		CK73HBB1H471K	CHIP C 470PF K	
C541		CK73HBB1E103K	CHIP C 0.01UF K		C703		CK73HBB1H102K	CHIP C 1000PF K	
C542		CK73HBB1E103K	CHIP C 0.01UF K		C704		CK73HBB1H102K	CHIP C 1000PF K	
C543		CK73HBB1E223K	CHIP C 0.022UF K		C705		CK73HBB1H471K	CHIP C 470PF K	
C544		CC73HCH1H010B	CHIP C 1.0PF B		C706		CK73HBB1H102K	CHIP C 1000PF K	
C545		CC73HCH1H180J	CHIP C 18PF J		C707		CK73HBB1H471K	CHIP C 470PF K	
C546		CC73HCH1H150J	CHIP C 15PF J		C708		CK73HBB1H102K	CHIP C 1000PF K	
C549		CK73HBB0J224K	CHIP C 0.22UF K		C709		CK73HBB1H102K	CHIP C 1000PF K	
C550		CK73HBB1A104K	CHIP C 0.1UF K		C710		CK73HBB1H471K	CHIP C 470PF K	
C551		CK73HBB1E103K	CHIP C 0.01UF K		C712		CK73HBB1H471K	CHIP C 470PF K	
C552		CK73HBB1H102K	CHIP C 1000PF K		C714		CK73HBB1H471K	CHIP C 470PF K	
C553		CC73HCH1H150G	CHIP C 15PF G		C716		CK73HBB1H471K	CHIP C 470PF K	
C554		CC73HCH1H070B	CHIP C 7.0PF B		C717		CK73HBB1H471K	CHIP C 470PF K	
					C718		CK73HBB1H471K	CHIP C 470PF K	

A:TK-7360H K B:TK-7360H(V) K C:TK-7360 M
D:TK-7360H M E:TK-7360 M2 F:TK-7360 E

TK-7360/7360H/7360H(V)

PARTS LIST

TX-RX UNIT (XC1-168X-XX)

Ref. No.	Address	Parts No.	Description	Destination	Ref. No.	Address	Parts No.	Description	Destination
C720		CK73HBB1H471K	CHIP C 470PF K	A,B,C,D,E	C801		CK73HBB1A104K	CHIP C 0.1UF K	A,B,C,D,E F
C722		CK73HBB1H471K	CHIP C 470PF K		C802		CK73HBB1E103K	CHIP C 0.01UF K	
C723		CK73HBB1H471K	CHIP C 470PF K		C803		CK73HXR0J105K	CHIP C 1.0UF K	
C724		CK73HBB1H471K	CHIP C 470PF K		C804		CK73GB0J106K	CHIP C 10UF K	
C726		CK73HBB1H471K	CHIP C 470PF K		C807		CK73GBB1C104K	CHIP C 0.1UF K	
C728		CK73HBB1H471K	CHIP C 470PF K		C808		CK73GB1H471K	CHIP C 470PF K	
C730		CK73HBB1H471K	CHIP C 470PF K		C809		CK73HXR0J105K	CHIP C 1.0UF K	
C732		CK73HBB1H471K	CHIP C 470PF K		C810		CC73HCH1H101J	CHIP C 100PF J	
C734		CK73HBB1H471K	CHIP C 470PF K		C811		CK73FBB0J106K	CHIP C 10UF K	
C735		CK73HB1H221K	CHIP C 220PF K		C812		CK73HXR0J105K	CHIP C 1.0UF K	
C736		CK73HBB1H471K	CHIP C 470PF K		C813		CC73HCH1H101J	CHIP C 100PF J	
C738		CK73HBB1H471K	CHIP C 470PF K		C814		CK73HBB0J475M	CHIP C 4.7UF M	
C739		CC73HCH1H101J	CHIP C 100PF J		C814		CK73HXR0J105K	CHIP C 1.0UF K	
C740		CK73HBB1H471K	CHIP C 470PF K		C815		CC73HCH1H151J	CHIP C 150PF J	
C742		CC73HCH1H470J	CHIP C 47PF J		C816		CK73HXR0J105K	CHIP C 1.0UF K	
C743		CC73HCH1H470J	CHIP C 47PF J		C818		CK73FBB0J106K	CHIP C 10UF K	
C744		CK73HBB1H471K	CHIP C 470PF K		C819		CK73HBB1E103K	CHIP C 0.01UF K	
C745		CC73HCH1H470J	CHIP C 47PF J		C820		CK73GBB1H104K	CHIP C 0.1UF K	
C746		CK73HBB1H471K	CHIP C 470PF K		C821		CK73GB0J106K	CHIP C 10UF K	
C747		CK73GBB1H102K	CHIP C 1000PF K		C822		CK73FB0J226M	CHIP C 22UF M	
C748		CK73GBB1A105K	CHIP C 1.0UF K		C823		CK73GBB1A105K	CHIP C 1.0UF K	
C749		CK73HXR0J105K	CHIP C 1.0UF K		C824		CK73HBB1H102K	CHIP C 1000PF K	
C752		CK73HXR0J105K	CHIP C 1.0UF K		C826		CK73HBB1A683K	CHIP C 0.068UF K	
C754		CK73GBB1H102K	CHIP C 1000PF K		C829		CK73HBB1H682K	CHIP C 6800PF K	
C755		CK73HXR0J105K	CHIP C 1.0UF K		C832		CK73GBB1H102K	CHIP C 1000PF K	
C756		CK73GBB1C104K	CHIP C 0.1UF K	C834		CK73HBB1H332K	CHIP C 3300PF K		
C758		CK73HBB1A104K	CHIP C 0.1UF K	C836		CK73HBB1E103K	CHIP C 0.01UF K		
C761		CK73HBB1H471K	CHIP C 470PF K	C838		CK73HBB1H471K	CHIP C 470PF K		
C762		CK73GB1E105K	CHIP C 1.0UF K	C839		CK73HBB1H471K	CHIP C 470PF K		
C763		CK73GB1E105K	CHIP C 1.0UF K	C840		CK73HBB1H471K	CHIP C 470PF K		
C764		CK73HBB1A104K	CHIP C 0.1UF K	C841		CK73HBB1H471K	CHIP C 470PF K		
C765		CK73FBB0J106K	CHIP C 10UF K	C842		CK73GBB1H102K	CHIP C 1000PF K		
C766		CK73HBB1A104K	CHIP C 0.1UF K	C843		CK73HXR0J105K	CHIP C 1.0UF K		
C767		CK73GB1E105K	CHIP C 1.0UF K	C844		CK73HBB1H102K	CHIP C 1000PF K		
C768		CK73GB1E105K	CHIP C 1.0UF K	C848		CC73HCH1H150J	CHIP C 15PF J		
C769		CK73HBB1A104K	CHIP C 0.1UF K	C849		CC73HCH1H010B	CHIP C 1.0PF B		
C771		CC73HCH1H390J	CHIP C 39PF J	C851		CC73HCH1H150J	CHIP C 15PF J		
C772		CK73HBB1A104K	CHIP C 0.1UF K	C852		CK73HBB1H102K	CHIP C 1000PF K		
C772		CK73HXR0J105K	CHIP C 1.0UF K	C853		CK73HBB1A104K	CHIP C 0.1UF K		
C773		CK73HXR0J105K	CHIP C 1.0UF K	C854		CK73GBB1C104K	CHIP C 0.1UF K		
C774		CK73HBB1A104K	CHIP C 0.1UF K	C855		CK73GBB1H102K	CHIP C 1000PF K		
C775		CK73HBB1A104K	CHIP C 0.1UF K	C858		CK73HBB1H102K	CHIP C 1000PF K		
C777		CK73HBB1A104K	CHIP C 0.1UF K	C859		CK73HBB1H102K	CHIP C 1000PF K		
C778		CK73HXR0J105K	CHIP C 1.0UF K	C860		CK73HBB1H102K	CHIP C 1000PF K		
C779		CK73HBB1A104K	CHIP C 0.1UF K	C861		CK73HBB1H102K	CHIP C 1000PF K		
C780		CK73GXR0J475K	CHIP C 4.7UF K	C862		CK73GBB1A105K	CHIP C 1.0UF K		
C784		CK73HBB1A104K	CHIP C 0.1UF K	C863		CK73GBB1A105K	CHIP C 1.0UF K		
C785		CK73HBB1C333K	CHIP C 0.033UF K	C864		CK73HXR0J105K	CHIP C 1.0UF K		
C786		CC73HCH1H121J	CHIP C 120PF J	C865		CK73HXR0J105K	CHIP C 1.0UF K		
C788		CK73HBB1H102K	CHIP C 1000PF K	C866		CK73HB1A224K	CHIP C 0.22UF K		
C790		CK73GB0J106K	CHIP C 10UF K	C867		CK73GBB1C224K	CHIP C 0.22UF K		
C791		CK73HBB1A104K	CHIP C 0.1UF K	C869		CK73HBB1H102K	CHIP C 1000PF K		
C792		CC73HCH1H391J	CHIP C 390PF J	C871		CS77BA1C4R7M	CHIP TNL 4.7UF 16WV		
C793		CK73HBB1H471K	CHIP C 470PF K	C872		CE32CL1C470M	ELECTRO 47UF 16WV		
C794		CK73HBB1A104K	CHIP C 0.1UF K	C873		CE32BM1C471M	ELECTRO 470UF 16WV		
C795		CK73HXR0J105K	CHIP C 1.0UF K	C874		CK73HBB1H102K	CHIP C 1000PF K		
C796		CK73HBB1E103K	CHIP C 0.01UF K	C875		CE32BM1C471M	ELECTRO 470UF 16WV		
C797		CK73HBB1A104K	CHIP C 0.1UF K	C876		CC73HCH1H220J	CHIP C 22PF J		
C799		CK73HBB1A104K	CHIP C 0.1UF K	C877		CC73HCH1H470J	CHIP C 47PF J		
C800		CK73HBB1A104K	CHIP C 0.1UF K	C880		CC73HCH1H101J	CHIP C 100PF J		

PARTS LIST

TX-RX UNIT (XC1-168X-XX)

Ref. No.	Address	Parts No.	Description	Desti- nation	Ref. No.	Address	Parts No.	Description	Desti- nation
C881		CK73HBB1H102K	CHIP C 1000PF K		D303		L407CDB	DIODE	
C882		CC73HCH1H220J	CHIP C 22PF J		D304		L407CDB	DIODE	
C883		CK73HBB1H471K	CHIP C 470PF K		D305		HSB88AS-E	DIODE	A,B,D
C884		CC73HCH1H220J	CHIP C 22PF J		D305		RB706F-40	DIODE	C,E,F
C885		CK73HBB1H102K	CHIP C 1000PF K		D306		HSB88AS-E	DIODE	A,B,D
C886		CK73HBB1A104K	CHIP C 0.1UF K		D306		RB706F-40	DIODE	C,E,F
C887		CK73HBB1E103K	CHIP C 0.01UF K		D307		RKP350KV	DIODE	
C888		CK73HBB1H471K	CHIP C 470PF K		D308		RKP350KV	DIODE	
C889		CK73HBB1H471K	CHIP C 470PF K		D309		UDZW3.3(B)	ZENER DIODE	
C890		CC73HCH1H121J	CHIP C 120PF J	A,B,C,D,E	D310		UDZW3.3(B)	ZENER DIODE	
C890		CC73HCH1H151J	CHIP C 150PF J	F	D400		Z5W27V	SURGE ABSORBER	
C891		CK73HBB1A104K	CHIP C 0.1UF K		D500		MC2858-T111	DIODE	
C893		CK73HBB1A104K	CHIP C 0.1UF K		D501		MC2858-T111	DIODE	
C894		CK73HB1H103K	CHIP C 0.01UF K		D502		RB706F-40	DIODE	
C895		CK73HBB1H102K	CHIP C 1000PF K		D504		1SV305F	VARI CAP DIODE	
C896		CK73HBB1E103K	CHIP C 0.01UF K		D505		1SV305F	VARI CAP DIODE	
C897		CK73HBB1H471K	CHIP C 470PF K		D506		1SV305F	VARI CAP DIODE	
C900		CC73HCH1H101J	CHIP C 100PF J		D507		1SV305F	VARI CAP DIODE	
C902		CC73HCH1H101J	CHIP C 100PF J		D700		DA2S101	DIODE	
C903		CK73HB1H561K	CHIP C 560PF K	F	D701		DA221	DIODE ARRAY	
C904		CK73HB0J475M	CHIP C 4.7UF M	A,B,C,D,E	D702		DA221	DIODE ARRAY	
C905		CE32BM1C471M	ELECTRO 470UF 16WV		D703		DA221	DIODE ARRAY	
C906		CK73HB1A393K	CHIP C 0.039UF K		D704		DA221	DIODE ARRAY	
C907		CC73GCH1H121J	CHIP C 120PF J	F	D705		DA221	DIODE ARRAY	
C908		CK73HB1C105K	CHIP C 1.0UF K		D706		DA221	DIODE ARRAY	
C909		CK73HBB1C104K	CHIP C 0.1UF K		D707		DA221	DIODE ARRAY	
C910		CC73HCH1H331J	CHIP C 330PF J		D708		DA221	DIODE ARRAY	
C911		CK73HB1C105K	CHIP C 1.0UF K		D709		DA221	DIODE ARRAY	
CD500		L79-1866-05	DIGI TRANSISTOR		D710		DA221	DIODE ARRAY	
CF500		L72-0993-05	CERAMIC FILTER (450KHZ/WIDE)		D711		DA221	DIODE ARRAY	
CF501		L72-0959-05	CERAMIC FILTER (450KHZ)	F	D712		MC2858-T111	DIODE	
CF501		L72-0999-05	CERAMIC FILTER (450KHZ/NARROW)	A,B,C,D,E	D713		1SS372F	SCHOTTKY DIODE	
CN700		E40-6361-05	PIN ASSY (26P)		D715		UDZW18(B)	ZENER DIODE	
CN701		E40-6847-05	FLAT CABLE CONNECTOR		D716		DA2S101	DIODE	
CP700		RK74HA1J102J	CHIP R 1K J 1/16W		D717		GN1G	DIODE	
CP701		RK74HA1J102J	CHIP R 1K J 1/16W		F400		F53-0327-15	FUSE (4A)	
CP702		RK74HA1J102J	CHIP R 1K J 1/16W		IC1		TC75S51FE(F)	MOS-IC	
CP703		RK74HA1J102J	CHIP R 1K J 1/16W		IC2		MB15E03SL-E1	MOS-IC	
CP704		RK74HA1J101J	CHIP-COM 100 J 1/16W		IC3		BD7542FVM	MOS-IC	
D1		1SS389-F	DIODE		IC300	2B	RA30H1317M123	MOS-IC	C,E,F
D2		1SS390	DIODE		IC300	2B	RA60H1317M1A	MOS-IC	A,B,D
D3		1SS390	DIODE		IC301		BA10358F	MOS-IC	
D4		1SS390	DIODE		IC400		TA4809BF	ANALOG IC	
D6		SMV1220-079LF	VARI CAP DIODE		IC401		XC6221B332N-G	MOS-IC	
D7		SMV1220-079LF	VARI CAP DIODE		IC402		TA7805F-NQ	MOS-IC	
D8		SMV1220-079LF	VARI CAP DIODE		IC403		BD4740G	MOS-IC	
D9		SMV1220-079LF	VARI CAP DIODE		IC404		XC6120N302N-G	MOS-IC	
D10		1SV325F	VARI CAP DIODE		IC500		TA31136FNG	MOS-IC	
D11		1SV325F	VARI CAP DIODE		IC501		BA10358F	MOS-IC	
D12		1SV325F	VARI CAP DIODE		IC700		ADM202EARNZ	MOS-IC	
D13		1SV325F	VARI CAP DIODE		IC701		NJM2100V-ZB	BIPOLAR IC	
D14		1SV325F	VARI CAP DIODE		IC702		CD6886A03	MOS-IC	
D15		1SV325F	VARI CAP DIODE		IC703		XC6221B332N-G	MOS-IC	
D16		1SV278F	VARI CAP DIODE		IC704		F3650TDFBKEBA	MCU IC	
D17		RN141S	DIODE		IC705		M95512-RDW6TP	ROM IC	
D18		RN141S	DIODE		IC706	2A	LA4631VC-XE	ANALOG IC	
D300		UDZW5.1B	ZENER DIODE		IC707		TC7S66FUF	MOS-IC	
D301		1SS355	DIODE		IC708		TC4W53FUF	MOS-IC	
D302		1SS390	DIODE	C,E,F	IC709		NJM2746RB1-ZB	ANALOG IC	
D302		HSC277	DIODE	A,B,D	IC710		TC7W53FKF	MOS-IC	

A:TK-7360H K B:TK-7360H(V) K C:TK-7360 M
D:TK-7360H M E:TK-7360 M2 F:TK-7360 E

If a part reference number is listed in a shaded box, 9
that part does not come with the PCB.

TK-7360/7360H/7360H(V)

PARTS LIST

TX-RX UNIT (XC1-168X-XX)

Ref. No.	Address	Parts No.	Description	Desti- nation	Ref. No.	Address	Parts No.	Description	Desti- nation
IC711		BD7542FVM	MOS-IC		L518		L41-5678-14	SMALL FIXED INDUCTOR (56NH)	
J700	1B	E58-0567-05	SUB SOCKET D		L519		L41-5678-14	SMALL FIXED INDUCTOR (56NH)	
J701	1B	E1B-0001-00	3.5D PHONE JACK(EXT SP)		L521		L40-6875-92	SMALL FIXED INDUCTOR (68NH)	
L2		L41-1591-08	SMALL FIXED INDUCTOR (1.5UH)		L522		L40-6875-57	SMALL FIXED INDUCTOR (68NH)	
L3		L92-0442-05	CHIP FERRITE		L700		LB73H0AV-003	CHIP FERRITE	
L4		LK73H0AM10NJ	MULTILAYER CHIP INDUCTOR(10NH)		L701		LB73H0AV-003	CHIP FERRITE	
L5		L40-6875-71	SMALL FIXED INDUCTOR (68NH)	A,B,C,D,E	L702		LB73G0BV-001	CHIP FERRITE	
L5		LK73H0AM82NJ	MULTILAYER CHIP INDUCTOR(82NH)	F	L704		LB73G0BV-001	CHIP FERRITE	
L6		LK73H0AM22NJ	MULTILAYER CHIP INDUCTOR(22NH)		L706		LB73H0AV-001	CHIP FERRITE	F
L7		LK73H0AM27NJ	MULTILAYER CHIP INDUCTOR(27NH)		L707		LB73H0AV-003	CHIP FERRITE	
L9		LB73G0BV-001	CHIP FERRITE		L708		LB73H0AV-003	CHIP FERRITE	
L10		LK73G0AQ4R7K	MULTILAYER CHIP INDUCTOR(4.7UH)		L709		LB73H0AV-003	CHIP FERRITE	
L12		LK73G0AQ4R7K	MULTILAYER CHIP INDUCTOR(4.7UH)		L710		LB73H0AV-003	CHIP FERRITE	
L15		LB73H0AV-003	CHIP FERRITE		L711		LB73H0AV-003	CHIP FERRITE	
L16		LB73H0AV-003	CHIP FERRITE		L712		LB73H0AV-003	CHIP FERRITE	
L17		LK73G0AQ1R8K	MULTILAYER CHIP INDUCTOR(1.8UH)		Q1		KTC4075E(Y,GR)	TRANSISTOR	
L20		LK73G0AQ1R8K	MULTILAYER CHIP INDUCTOR(1.8UH)		Q2		LTC014EEBFS8	DIGI TRANSISTOR	
L21		LK73G0AQ1R8K	MULTILAYER CHIP INDUCTOR(1.8UH)		Q3		2SC5108F/Y/	TRANSISTOR	
L25		LK73G0AQ1R8K	MULTILAYER CHIP INDUCTOR(1.8UH)		Q4		RE1C001ZP	FET	
L27		LK73G0AQ100K	MULTILAYER CHIP INDUCTOR(1.8UH)		Q5		2SK1824-A	FET	A,B,C,D,E
L29		LB73G0BV-001	CHIP FERRITE		Q5		2SK1830F	FET	F
L30		LK73G0AQ100K	MULTILAYER CHIP INDUCTOR(1.8UH)		Q6		MCH3914-H/7/	FET	
L31		L41-1588-14	SMALL FIXED INDUCTOR (150NH)		Q7		RE1C001ZP	FET	
L32		L41-1288-14	SMALL FIXED INDUCTOR (120NH)		Q8		MCH3914-H/7/	FET	
L33		L40-2702-86	SMALL FIXED INDUCTOR (27UH)		Q10		KRX102U	TRANSISTOR	
L34		L40-2702-86	SMALL FIXED INDUCTOR (27UH)		Q11		KTC4075E(Y,GR)	TRANSISTOR	
L38		L40-2702-86	SMALL FIXED INDUCTOR (27UH)		Q12		2SC5108F/Y/	TRANSISTOR	
L39		L40-2702-86	SMALL FIXED INDUCTOR (27UH)		Q13		2SC5108F/Y/	TRANSISTOR	
L40		LB73G0BV-001	CHIP FERRITE		Q300		RD00HVS1-T113	FET	
L41		L40-1085-71	SMALL FIXED INDUCTOR (100NH)		Q400		LTC014EEBFS8	DIGI TRANSISTOR	
L42		L40-1085-71	SMALL FIXED INDUCTOR (100NH)		Q401		LTC014EEBFS8	DIGI TRANSISTOR	
L300		LK73H0AM15NJ	MULTILAYER CHIP INDUCTOR(15NH)		Q402		2SB1694	TRANSISTOR	
L301		LK73H0AM10NJ	MULTILAYER CHIP INDUCTOR(10NH)		Q403		2SB1694	TRANSISTOR	
L302		LK73G0AF12NJ	MULTILAYER CHIP INDUCTOR(12NH)	A,B,D	Q404		RE1C001ZP	FET	
L302		LK73G0AF18NJ	MULTILAYER CHIP INDUCTOR(18NH)	C,E,F	Q405		RE1C001ZP	FET	
L303		L40-8265-92	SMALL FIXED INDUCTOR (8.2NH)	A,B,D	Q406		KTC4075E(Y,GR)	TRANSISTOR	
L303		LK73G0AF12NJ	MULTILAYER CHIP INDUCTOR(12NH)	C,E,F	Q407		2SJ645	FET	
L304		LK73G0AFR12J	MULTILAYER CHIP INDUCTOR(120NH)		Q500		2SC5108F/Y/	TRANSISTOR	
L305		LK73G0AF15NJ	MULTILAYER CHIP INDUCTOR(15NH)	C,E	Q502		LTA044EEBFS8	DIGI TRANSISTOR	
L305		LK73G0AF18NJ	MULTILAYER CHIP INDUCTOR(18NH)	F	Q503		LTC044EEBFS8	DIGI TRANSISTOR	
L305		LK73G0AF47NJ	MULTILAYER CHIP INDUCTOR(47NH)	A,B,D	Q504		2SC5108F/Y/	TRANSISTOR	
L307		LB73Z0AF-001	CHIP FERRITE		Q505		2SC2412K	TRANSISTOR	
L308		LB73Z0AF-001	CHIP FERRITE		Q506		KTC4075E(Y,GR)	TRANSISTOR	
L309		LB73Z0AF-001	CHIP FERRITE		Q507		3SK318	FET	
L310		L34-4902-05	AIR-CORE COIL (9.5T)		Q508		LTC014EEBFS8	DIGI TRANSISTOR	
L311		L34-1039-05	AIR-CORE COIL (1.5T)		Q511		3SK318	FET	
L313		L34-4903-05	AIR-CORE COIL (1.5T)		Q700		2SC4116(Y)F	TRANSISTOR	
L314		L34-4903-05	AIR-CORE COIL (1.5T)		Q702		2SJ645	FET	
L315		L34-4903-05	AIR-CORE COIL (1.5T)		Q703		2SC4919-S	TRANSISTOR	
L316		L34-4902-05	AIR-CORE COIL (9.5T)		Q704		2SK1824-A	FET	A,B,C,D,E
L500		LK73G0AQR47K	MULTILAYER CHIP INDUCTOR(470NH)		Q704		2SK1830F	FET	F
L501		LK73G0AQR47K	MULTILAYER CHIP INDUCTOR(470NH)		Q705		KTC4075E(Y,GR)	TRANSISTOR	
L503		LK73G0AQR47K	MULTILAYER CHIP INDUCTOR(470NH)		Q708		KTC4075E(Y,GR)	TRANSISTOR	
L504		LK73H0AM27NJ	MULTILAYER CHIP INDUCTOR(27NH)		Q709		RE1C001ZP	FET	
L507		LK73H0AM22NJ	MULTILAYER CHIP INDUCTOR(22NH)		Q710		KTC4075E(Y,GR)	TRANSISTOR	
L509		L41-4785-39	SMALL FIXED INDUCTOR (470NH)		Q712		RE1C001ZP	FET	
L510		L41-4785-39	SMALL FIXED INDUCTOR (470NH)		Q713		RE1L002SN	FET	
L513		L41-5678-14	SMALL FIXED INDUCTOR (56NH)		Q714		LTC044TUBFS8	DIGI TRANSISTOR	
L515		L41-6878-45	SMALL FIXED INDUCTOR (68NH)		Q715		RT1N144U-T111	TRANSISTOR	
L516		LK73G0AF22NJ	MULTILAYER CHIP INDUCTOR(22NH)		Q716		KTC4075E(Y,GR)	TRANSISTOR	

PARTS LIST

TX-RX UNIT (XC1-168X-XX)

Ref. No.	Address	Parts No.	Description	Desti- nation	Ref. No.	Address	Parts No.	Description	Desti- nation
Q717		LTC044EEBFS8	DIGI TRANSISTOR		R61		RK73HB1J000J	CHIP R 0.0 J 1/16W	
Q718		RE1C001UN	FET		R62		RK73HB1J104J	CHIP R 100 J 1/16W	
Q719		RE1C001UN	FET		R63		RK73HB1J000J	CHIP R 0.0 J 1/16W	
Q720		LTC014EEBFS8	DIGI TRANSISTOR		R64		RK73HB1J393J	CHIP R 39K J 1/16W	
R1		RK73HB1J000J	CHIP R 0.0 J 1/16W		R65		RK73HB1J104J	CHIP R 100 J 1/16W	
R3		RK73HB1J100J	CHIP R 10 J 1/16W		R66		RK73HB1J473J	CHIP R 47K J 1/16W	
R5		RK73HB1J103J	CHIP R 10K J 1/16W	F	R67		RN73HH1J101D	CHIP R 100 D 1/16W	
R5		RK73HB1J333J	CHIP R 33K J 1/16W	A,B,C,D,E	R68		RN73HH1J471D	CHIP R 470 D 1/16W	
R6		RK73HB1J102J	CHIP R 1.0K J 1/16W		R69		RK73GB2A104J	CHIP R 100K J 1/10W	
R7		RK73HB1J102J	CHIP R 1.0K J 1/16W		R70		RK73HB1J472J	CHIP R 4.7K J 1/16W	
R8		RK73HB1J102J	CHIP R 1.0K J 1/16W		R71		RN73HH1J271D	CHIP R 270 D 1/16W	
R9		RK73HB1J000J	CHIP R 0.0 J 1/16W		R72		RN73HOAJ121D	CHIP R 120 D 1/16W	
R10		RK73HB1J152J	CHIP R 1.5K J 1/16W		R73		RK73HB1J102J	CHIP R 1.0K J 1/16W	
R11		RK73HB1J223J	CHIP R 22K J 1/16W		R74		RK73HB1J000J	CHIP R 0.0 J 1/16W	
R12		RK73HB1J000J	CHIP R 0.0 J 1/16W		R75		RK73HB1J000J	CHIP R 0.0 J 1/16W	
R13		RK73HB1J563J	CHIP R 56K J 1/16W		R76		RK73HB1J273J	CHIP R 27K J 1/16W	
R14		RK73HB1J000J	CHIP R 0.0 J 1/16W		R77		RK73HB1J000J	CHIP R 0.0 J 1/16W	
R15		RK73HB1J103J	CHIP R 10K J 1/16W		R78		RK73HB1J101J	CHIP R 100 J 1/16W	
R16		RK73HB1J561J	CHIP R 560 J 1/16W		R79		RK73HB1J103J	CHIP R 10K J 1/16W	
R17		RK73HB1J100J	CHIP R 10 J 1/16W		R80		RK73HB1J822J	CHIP R 8.2K J 1/16W	
R19		RK73HB1J000J	CHIP R 0.0 J 1/16W		R81		RK73HB1J101J	CHIP R 100 J 1/16W	
R20		RK73HB1J000J	CHIP R 0.0 J 1/16W		R82		RK73HB1J101J	CHIP R 100 J 1/16W	
R21		RK73HB1J100J	CHIP R 10 J 1/16W		R83		RK73HB1J101J	CHIP R 100 J 1/16W	
R22		RK73HB1J102J	CHIP R 1.0K J 1/16W		R84		RK73HB1J000J	CHIP R 0.0 J 1/16W	
R23		RK73HB1J100J	CHIP R 10 J 1/16W		R85		RK73HB1J222J	CHIP R 2.2K J 1/16W	
R24		RK73HB1J000J	CHIP R 0.0 J 1/16W	A,B,C,D,E	R86		RK73HB1J472J	CHIP R 4.7K J 1/16W	
R24		RK73HB1J273J	CHIP R 27K J 1/16W	F	R87		RK73GB2A472J	CHIP R 4.7K J 1/10W	
R25		RK73HB1J560J	CHIP R 56 J 1/16W		R88		RK73HB1J104J	CHIP R 100 J 1/16W	A,B,C,D,E
R26		RK73HB1J000J	CHIP R 0.0 J 1/16W		R88		RK73HB1J474J	CHIP R 470K J 1/16W	F
R30		RK73HB1J472J	CHIP R 4.7K J 1/16W		R89		RK73HB1J104J	CHIP R 100 J 1/16W	A,B,C,D,E
R31		RK73HB1J473J	CHIP R 47K J 1/16W		R89		RK73HB1J474J	CHIP R 470K J 1/16W	F
R34		RK73HB1J000J	CHIP R 0.0 J 1/16W		R300		RK73HB1J472J	CHIP R 4.7K J 1/16W	
R35		RK73HB1J153J	CHIP R 15K J 1/16W		R301		RK73HB1J273J	CHIP R 27K J 1/16W	
R36		RK73HB1J102J	CHIP R 1.0K J 1/16W		R302		RK73HB1J103J	CHIP R 10K J 1/16W	
R37		RK73HB1J153J	CHIP R 15K J 1/16W		R309		RK73GB2A100J	CHIP R 10 J 1/10W	C,E,F
R38		RK73HB1J153J	CHIP R 15K J 1/16W		R309		RK73GB2A4R7J	CHIP R 4.7 J 1/10W	A,B,D
R39		RK73HB1J000J	CHIP R 0.0 J 1/16W	F	R310		RK73GB2A100J	CHIP R 10 J 1/10W	C,E,F
R39		RK73HB1J102J	CHIP R 1.0K J 1/16W	A,B,C,D,E	R310		RK73GB2A4R7J	CHIP R 4.7 J 1/10W	A,B,D
R41		RK73HB1J223J	CHIP R 22K J 1/16W		R311		RK73GB2A121J	CHIP R 120 J 1/10W	C,E,F
R42		RK73HB1J152J	CHIP R 1.5K J 1/16W	F	R311		RK73GB2A271J	CHIP R 270 J 1/10W	A,B,D
R42		RK73HB1J222J	CHIP R 2.2K J 1/16W	A,B,C,D,E	R313		RK73HB1J101J	CHIP R 100 J 1/16W	
R43		RK73HB1J000J	CHIP R 0.0 J 1/16W		R315		RK73GB2A470J	CHIP R 47 J 1/10W	
R44		RK73HB1J153J	CHIP R 15K J 1/16W		R316		RK73HB1J000J	CHIP R 0.0 J 1/16W	
R45		RK73HB1J102J	CHIP R 1.0K J 1/16W		R317		RK73HB1J154J	CHIP R 150K J 1/16W	
R47		RK73HB1J000J	CHIP R 0.0 J 1/16W		R319		RK73HB1J103J	CHIP R 10K J 1/16W	
R48		RK73HB1J221J	CHIP R 220 J 1/16W	A,B,C,D,E	R320		RK73HB1J103J	CHIP R 10K J 1/16W	
R48		RK73HB1J471J	CHIP R 470 J 1/16W	F	R321		RK73HB1J000J	CHIP R 0.0 J 1/16W	
R49		RK73HB1J000J	CHIP R 0.0 J 1/16W		R323		RK73HB1J153J	CHIP R 15K J 1/16W	C,E,F
R50		RK73HB1J105J	CHIP R 1.0M J 1/16W		R323		RK73HB1J223J	CHIP R 22K J 1/16W	A,B,D
R51		RK73HB1J000J	CHIP R 0.0 J 1/16W		R324		RK73HB1J000J	CHIP R 0.0 J 1/16W	
R52		RK73HB1J000J	CHIP R 0.0 J 1/16W	A,B,C,D,E	R326		RK73HB1J473J	CHIP R 47K J 1/16W	
R52		RK73HB1J102J	CHIP R 1.0K J 1/16W	F	R328		RK73HB1J000J	CHIP R 0.0 J 1/16W	
R53		RK73FB2B102J	CHIP R 1K J 1/8W		R329		RK73HB1J000J	CHIP R 0.0 J 1/16W	
R54		RK73HB1J000J	CHIP R 0.0 J 1/16W	F	R330		RK73HB1J104J	CHIP R 100 J 1/16W	
R55		RK73HB1J393J	CHIP R 39K J 1/16W	A,B,C,D,E	R331		RK73HB1J104J	CHIP R 100 J 1/16W	
R55		RK73HB1J563J	CHIP R 56K J 1/16W	F	R333		RK73HB1J104J	CHIP R 100 J 1/16W	
R56		RK73HB1J103J	CHIP R 10K J 1/16W		R334		RK73GH2A101D	CHIP R 100 J 1/10W	
R57		RK73HB1J103J	CHIP R 10K J 1/16W		R335		RK73GH2A681D	CHIP R 680 D 1/10W	
R58		RK73HB1J000J	CHIP R 0.0 J 1/16W		R336		RK73HB1J104J	CHIP R 100 J 1/16W	
R59		RK73HB1J000J	CHIP R 0.0 J 1/16W		R337		RK73HB1J104J	CHIP R 100 J 1/16W	

A:TK-7360H K B:TK-7360H(V) K C:TK-7360 M
D:TK-7360H M E:TK-7360 M2 F:TK-7360 E

TK-7360/7360H/7360H(V)

PARTS LIST

TX-RX UNIT (XC1-168X-XX)

Ref. No.	Address	Parts No.	Description	Desti- nation	Ref. No.	Address	Parts No.	Description	Desti- nation
R340		RK73HB1J000J	CHIP R 0.0 J 1/16W		R531		RK73HB1J391J	CHIP R 390 J 1/16W	
R341		RK73HB1J000J	CHIP R 0.0 J 1/16W		R533		RK73HB1J000J	CHIP R 0.0 J 1/16W	
R342		RK73HB1J104J	CHIP R 100 J 1/16W		R534		RK73HB1J331J	CHIP R 330 J 1/16W	
R343		RK73GH2A680D	CHIP R 68 D 1/10W		R536		RK73HB1J183J	CHIP R 18K J 1/16W	F
R344		RK73HB1J000J	CHIP R 0.0 J 1/16W		R536		RK73HB1J562J	CHIP R 5.6K J 1/16W	A,B,C,D,E
R345		RK73RB2H101J	CHIP R 100 J 1/2W		R537		RK73HB1J473J	CHIP R 47K J 1/16W	F
R346		RK73GB2A102J	CHIP R 1.0K J 1/10W		R537		RK73HB1J683J	CHIP R 68K J 1/16W	A,B,C,D,E
R348		RK73GB2A000J	CHIP R 0.0 J 1/10W		R538		RK73HB1J470J	CHIP R 47 J 1/16W	
R349		RK73GB2A000J	CHIP R 0.0 J 1/10W		R539		RK73HB1J332J	CHIP R 3.3K J 1/16W	F
R350		RK73GB2A000J	CHIP R 0.0 J 1/10W		R539		RK73HB1J471J	CHIP R 470 J 1/16W	A,B,C,D,E
R351		RK73GB2A000J	CHIP R 0.0 J 1/10W		R540		RK73HB1J823J	CHIP R 82K J 1/16W	
R352		RK73GH2A121D	CHIP R 120 D 1/10W		R541		RK73HB1J823J	CHIP R 82K J 1/16W	
R353		RK73GH2A181D	CHIP R 180 D 1/10W		R542		RK73HB1J224J	CHIP R 220K J 1/16W	
R358	2B	R92-1061-05	JUMPER REST 0 OHM		R543		RK73HB1J684J	CHIP R 680K J 1/16W	
R400		RK73HB1J103J	CHIP R 10K J 1/16W		R545		RK73HB1J151J	CHIP R 150 J 1/16W	A,B,C,D,E
R401		RK73HB1J472J	CHIP R 4.7K J 1/16W		R545		RK73HB1J391J	CHIP R 390 J 1/16W	F
R402		RK73HB1J152J	CHIP R 1.5K J 1/16W		R546		RK73HB1J823J	CHIP R 82K J 1/16W	
R403		RK73HB1J473J	CHIP R 47K J 1/16W		R547		RK73HB1J334J	CHIP R 330K J 1/16W	F
R404		RK73HB1J473J	CHIP R 47K J 1/16W		R547		RK73HB1J394J	CHIP R 390K J 1/16W	A,B,C,D,E
R405		RK73HB1J104J	CHIP R 100 J 1/16W		R548		RK73HB1J154J	CHIP R 150K J 1/16W	
R406		RK73HB1J104J	CHIP R 100 J 1/16W		R549		RK73HB1J330J	CHIP R 33 J 1/16W	A,B,C,D,E
R407		RK73HB1J102J	CHIP R 1.0K J 1/16W		R549		RK73HB1J560J	CHIP R 56 J 1/16W	F
R408		RK73GB2A221J	CHIP R 220 J 1/10W		R550		RK73HB1J000J	CHIP R 0.0 J 1/16W	
R409		RK73GB2A473J	CHIP R 47K J 1/10W		R551		RK73HB1J000J	CHIP R 0.0 J 1/16W	A,B,C,D,E
R410		RK73GB2A334J	CHIP R 330K J 1/10W		R551		RK73HB1J470J	CHIP R 47 J 1/16W	F
R411		RK73HB1J474J	CHIP R 470K J 1/16W		R553		RK73HB1J000J	CHIP R 0.0 J 1/16W	
R412		RK73HB1J564J	CHIP R 560K J 1/16W		R554		RK73HB1J000J	CHIP R 0.0 J 1/16W	
R413		RK73HB1J000J	CHIP R 0.0 J 1/16W		R557		RK73HB1J104J	CHIP R 100 J 1/16W	A,B,C,D,E
R414		RK73HB1J474J	CHIP R 470K J 1/16W		R557		RK73HB1J105J	CHIP R 1.0M J 1/16W	F
R500		RK73HB1J000J	CHIP R 0.0 J 1/16W		R558		RK73HB1J104J	CHIP R 100 J 1/16W	A,B,C,D,E
R502		RK73HB1J824J	CHIP R 820K J 1/16W		R558		RK73HB1J105J	CHIP R 1.0M J 1/16W	F
R503		RK73HB1J101J	CHIP R 100 J 1/16W		R561		RK73HB1J000J	CHIP R 0.0 J 1/16W	
R504		RK73HB1J103J	CHIP R 10K J 1/16W		R562		RK73HB1J102J	CHIP R 1.0K J 1/16W	A,B,C,D,E
R505		RK73HB1J103J	CHIP R 10K J 1/16W		R562		RK73HB1J471J	CHIP R 470 J 1/16W	F
R506		RK73HB1J103J	CHIP R 10K J 1/16W		R563		RK73HB1J000J	CHIP R 0.0 J 1/16W	F
R507		RK73HB1J103J	CHIP R 10K J 1/16W		R563		RK73HB1J680J	CHIP R 68 J 1/16W	A,B,C,D,E
R508		RK73HB1J103J	CHIP R 10K J 1/16W		R564		RK73HB1J000J	CHIP R 0.0 J 1/16W	
R510		RK73HB1J103J	CHIP R 10K J 1/16W		R565		RK73HB1J223J	CHIP R 22K J 1/16W	
R511		RK73GB2A100J	CHIP R 10 J 1/10W		R566		RK73HB1J101J	CHIP R 100 J 1/16W	A,B,C,D,E
R512		RK73HB1J152J	CHIP R 1.5K J 1/16W	F	R566		RK73HB1J181J	CHIP R 180 J 1/16W	F
R512		RK73HB1J182J	CHIP R 1.8K J 1/16W	A,B,C,D,E	R567		RK73HB1J104J	CHIP R 100 J 1/16W	A,B,C,D,E
R513		RK73HB1J124J	CHIP R 120K J 1/16W	A,B,C,D,E	R567		RK73HB1J334J	CHIP R 330K J 1/16W	F
R513		RK73HB1J563J	CHIP R 56K J 1/16W	F	R568		RK73HB1J564J	CHIP R 560K J 1/16W	
R515		RK73HB1J274J	CHIP R 270K J 1/16W	F	R569		RK73HB1J223J	CHIP R 22K J 1/16W	
R515		RK73HB1J684J	CHIP R 680K J 1/16W	A,B,C,D,E	R570		RK73HB1J104J	CHIP R 100 J 1/16W	
R516		RK73GB2A472J	CHIP R 4.7K J 1/10W		R571		RK73HB1J683J	CHIP R 68K J 1/16W	
R518		RK73HB1J000J	CHIP R 0.0 J 1/16W		R572		RK73HB1J000J	CHIP R 0.0 J 1/16W	
R520		RK73HB1J332J	CHIP R 3.3K J 1/16W		R573		RK73HB1J223J	CHIP R 22K J 1/16W	
R521		RK73HB1J222J	CHIP R 2.2K J 1/16W		R574		RK73HB1J223J	CHIP R 22K J 1/16W	
R522		RK73HB1J103J	CHIP R 10K J 1/16W	F	R575		RK73HB1J000J	CHIP R 0.0 J 1/16W	
R523		RK73HB1J000J	CHIP R 0.0 J 1/16W		R576		RK73HB1J104J	CHIP R 100 J 1/16W	A,B,C,D,E
R524		RK73HB1J103J	CHIP R 10K J 1/16W		R576		RK73HB1J105J	CHIP R 1.0M J 1/16W	F
R525		RK73HB1J000J	CHIP R 0.0 J 1/16W		R577		RK73HB1J104J	CHIP R 100 J 1/16W	A,B,C,D,E
R526		RK73HB1J474J	CHIP R 470K J 1/16W	F	R577		RK73HB1J105J	CHIP R 1.0M J 1/16W	F
R526		RK73HB1J684J	CHIP R 680K J 1/16W	A,B,C,D,E	R578		RK73FB2B000J	CHIP R 0.0 J 1/8W	
R527		RK73HB1J101J	CHIP R 100 J 1/16W		R582		RK73HB1J151J	CHIP R 150 J 1/16W	
R528		RK73HB1J224J	CHIP R 220K J 1/16W		R583		RK73HB1J390J	CHIP R 39 J 1/16W	
R529		RK73HB1J000J	CHIP R 0.0 J 1/16W		R584		RK73HB1J151J	CHIP R 150 J 1/16W	
R530		RK73HB1J000J	CHIP R 0.0 J 1/16W	A,B,C,D,E	R586		RK73HB1J000J	CHIP R 0.0 J 1/16W	
R530		RK73HB1J560J	CHIP R 56 J 1/16W	F					

PARTS LIST

TX-RX UNIT (XC1-168X-XX)

Ref. No.	Address	Parts No.	Description	Desti- nation	Ref. No.	Address	Parts No.	Description	Desti- nation
R700		RK73HB1J223J	CHIP R 22K J 1/16W		R789		RK73HB1J563J	CHIP R 56K J 1/16W	
R701		RK73HB1J103J	CHIP R 10K J 1/16W		R790		RK73HB1J000J	CHIP R 0.0 J 1/16W	
R703		RK73HB1J000J	CHIP R 0.0 J 1/16W		R791		RK73HB1J223J	CHIP R 22K J 1/16W	
R707		RK73HB1J102J	CHIP R 1.0K J 1/16W		R792		RK73HB1J561J	CHIP R 560 J 1/16W	
R708		RK73HB1J101J	CHIP R 100 J 1/16W		R793		RK73HB1J103J	CHIP R 10K J 1/16W	
R709		RK73HB1J102J	CHIP R 1.0K J 1/16W		R794		RK73HB1J102J	CHIP R 1.0K J 1/16W	
R710		RK73HB1J000J	CHIP R 0.0 J 1/16W		R795		RK73HB1J102J	CHIP R 1.0K J 1/16W	
R711		RK73HB1J000J	CHIP R 0.0 J 1/16W		R799		RK73HB1J273J	CHIP R 27K J 1/16W	
R713		RK73HB1J000J	CHIP R 0.0 J 1/16W		R801		RK73HB1J562J	CHIP R 5.6K J 1/16W	
R718		RK73HB1J000J	CHIP R 0.0 J 1/16W		R802		RK73HB1J000J	CHIP R 0.0 J 1/16W	
R721		RK73HB1J000J	CHIP R 0.0 J 1/16W		R803		RK73HB1J563J	CHIP R 56K J 1/16W	
R722		RK73HB1J000J	CHIP R 0.0 J 1/16W		R804		RK73HB1J000J	CHIP R 0.0 J 1/16W	
R723		RK73HB1J000J	CHIP R 0.0 J 1/16W		R805		RK73HB1J000J	CHIP R 0.0 J 1/16W	
R724		RK73GB2A000J	CHIP R 0.0 J 1/10W		R806		RK73HB1J104J	CHIP R 100 J 1/16W	
R725		RK73HB1J000J	CHIP R 0.0 J 1/16W		R807		RK73HB1J104J	CHIP R 100 J 1/16W	
R726		RK73GB2A000J	CHIP R 0.0 J 1/10W		R809		RK73HB1J000J	CHIP R 0.0 J 1/16W	
R728		RK73HB1J472J	CHIP R 4.7K J 1/16W		R810		RK73HB1J000J	CHIP R 0.0 J 1/16W	
R730		RK73HB1J681J	CHIP R 680 J 1/16W		R811		RK73HB1J104J	CHIP R 100 J 1/16W	
R733		RK73GB2A000J	CHIP R 0.0 J 1/10W		R813		RK73HB1J104J	CHIP R 100 J 1/16W	
R734		RK73HB1J102J	CHIP R 1.0K J 1/16W		R814		RK73HB1J101J	CHIP R 100 J 1/16W	
R735		RK73GB2A473J	CHIP R 47K J 1/10W		R815		RK73GB2A000J	CHIP R 0.0 J 1/10W	
R736		RK73HB1J821J	CHIP R 820 J 1/16W		R816		RK73HB1J104J	CHIP R 100 J 1/16W	
R737		RK73HB1J000J	CHIP R 0.0 J 1/16W		R817		RK73GB2A104J	CHIP R 100K J 1/10W	
R738		RK73GB2A221J	CHIP R 220 J 1/10W		R818		RK73HB1J104J	CHIP R 100 J 1/16W	
R739		RK73HB1J223J	CHIP R 22K J 1/16W		R819		RK73HB1J101J	CHIP R 100 J 1/16W	
R741		RK73HB1J223J	CHIP R 22K J 1/16W		R820		RK73HB1J000J	CHIP R 0.0 J 1/16W	
R742		RK73HB1J823J	CHIP R 82K J 1/16W		R823		RK73HB1J124J	CHIP R 120K J 1/16W	
R743		RK73HB1J561J	CHIP R 560 J 1/16W		R824		RK73HB1J000J	CHIP R 0.0 J 1/16W	
R744		RK73HB1J102J	CHIP R 1.0K J 1/16W		R825		RK73HB1J104J	CHIP R 100 J 1/16W	
R745		RK73HB1J000J	CHIP R 0.0 J 1/16W		R826		RK73HB1J101J	CHIP R 100 J 1/16W	
R746		RK73HB1J000J	CHIP R 0.0 J 1/16W		R827		RK73HB1J104J	CHIP R 100 J 1/16W	
R747		RK73HB1J101J	CHIP R 100 J 1/16W		R829		RK73HB1J101J	CHIP R 100 J 1/16W	
R748		RK73HB1J123J	CHIP R 12K J 1/16W		R830		RK73GB2A100J	CHIP R 10 J 1/10W	
R749		RK73HB1J000J	CHIP R 0.0 J 1/16W		R831		RK73HB1J473J	CHIP R 47K J 1/16W	
R750		RK73HB1J105J	CHIP R 1.0M J 1/16W		R832		RK73HB1J472J	CHIP R 4.7K J 1/16W	
R751		RK73HB1J000J	CHIP R 0.0 J 1/16W		R840		RK73HB1J473J	CHIP R 47K J 1/16W	
R754		RK73HB1J123J	CHIP R 12K J 1/16W		R841		RK73HB1J000J	CHIP R 0.0 J 1/16W	
R755		RK73HB1J154J	CHIP R 150K J 1/16W		R842		RK73HB1J103J	CHIP R 10K J 1/16W	
R756		RK73HB1J103J	CHIP R 10K J 1/16W		R843		RK73HB1J393J	CHIP R 39K J 1/16W	
R757		RK73HB1J222J	CHIP R 2.2K J 1/16W		R845		RK73GB2A000J	CHIP R 0.0 J 1/10W	
R760		RK73GB2A000J	CHIP R 0.0 J 1/10W		R846		RK73HB1J472J	CHIP R 4.7K J 1/16W	
R761		RK73GB2A000J	CHIP R 0.0 J 1/10W		R849		RK73HB1J682J	CHIP R 6.8K J 1/16W	
R762		RK73HB1J334J	CHIP R 330K J 1/16W		R850		RK73HB1J102J	CHIP R 1.0K J 1/16W	
R763		RK73HB1J154J	CHIP R 150K J 1/16W		R851		RK73HB1J223J	CHIP R 22K J 1/16W	
R765		RK73HB1J103J	CHIP R 10K J 1/16W		R852		RK73HB1J473J	CHIP R 47K J 1/16W	
R769		RK73HB1J000J	CHIP R 0.0 J 1/16W		R853		RK73HB1J332J	CHIP R 3.3K J 1/16W	
R772		RK73GB2A000J	CHIP R 0.0 J 1/10W		R854		RK73HB1J473J	CHIP R 47K J 1/16W	
R773		RK73HB1J000J	CHIP R 0.0 J 1/16W		R855		RK73HB1J473J	CHIP R 47K J 1/16W	
R774		RK73HB1J561J	CHIP R 560 J 1/16W		R856		RK73HB1J222J	CHIP R 2.2K J 1/16W	
R775		RK73HB1J000J	CHIP R 0.0 J 1/16W		R857		RK73HB1J104J	CHIP R 100 J 1/16W	
R776		RK73GB2A124J	CHIP R 120K J 1/10W		R858		RK73HB1J104J	CHIP R 100 J 1/16W	
R779		RK73HH1J473D	CHIP R 47K D 1/16W		R859		RK73HB1J105J	CHIP R 1.0M J 1/16W	
R780		RK73HH1J473D	CHIP R 47K D 1/16W		R860		RK73GB2A102J	CHIP R 1.0K J 1/10W	
R781		RK73HB1J183J	CHIP R 18K J 1/16W		R861		RK73HB1J153J	CHIP R 15K J 1/16W	
R782		RK73HB1J104J	CHIP R 100 J 1/16W		R863		RK73GB2A472J	CHIP R 4.7K J 1/10W	
R785		RK73HB1J000J	CHIP R 0.0 J 1/16W		R864		RK73HB1J123J	CHIP R 12K J 1/16W	
R786		RK73HB1J473J	CHIP R 47K J 1/16W		R866		RK73HB1J102J	CHIP R 1.0K J 1/16W	
R787		RK73HB1J102J	CHIP R 1.0K J 1/16W		R867		RK73HB1J102J	CHIP R 1.0K J 1/16W	
R787		RK73HB1J823J	CHIP R 82K J 1/16W	A,B,C,D,E	R868		RK73HB1J000J	CHIP R 0.0 J 1/16W	
R788		RK73HB1J000J	CHIP R 0.0 J 1/16W	F	R869		RK73GH2A134D	CHIP R 130K D 1/10W	

A:TK-7360H K B:TK-7360H(V) K C:TK-7360 M
D:TK-7360H M E:TK-7360 M2 F:TK-7360 E

TK-7360/7360H/7360H(V)

PARTS LIST

TX-RX UNIT (XC1-168X-XX)

Ref. No.	Address	Parts No.	Description	Desti- nation	Ref. No.	Address	Parts No.	Description	Desti- nation
R870		RK73GH2A183D	CHIP R 18K D 1/10W		R941		RK73FB2B000J	CHIP R 0.0 J 1/8W	
R871		RK73GB2A000J	CHIP R 0.0 J 1/10W		R942		RK73FB2B000J	CHIP R 0.0 J 1/8W	
R872		RK73HB1J102J	CHIP R 1.0K J 1/16W		R943		RK73HB1J104J	CHIP R 100 J 1/16W	
R873		RK73HB1J102J	CHIP R 1.0K J 1/16W		R944		RK73HB1J473J	CHIP R 47K J 1/16W	
R874		RK73HB1J102J	CHIP R 1.0K J 1/16W		R945		RK73HB1J103J	CHIP R 10K J 1/16W	
R875		RK73GB2A000J	CHIP R 0.0 J 1/10W		R947		RK73HB1J103J	CHIP R 10K J 1/16W	
R876		RK73HB1J102J	CHIP R 1.0K J 1/16W		R948		RK73HB1J684J	CHIP R 680K J 1/16W	
R877		RK73HB1J102J	CHIP R 1.0K J 1/16W		R949		RK73HB1J394J	CHIP R 390K J 1/16W	
R878		RK73HB1J102J	CHIP R 1.0K J 1/16W		R950		RK73HB1J105J	CHIP R 1.0M J 1/16W	
R879		RK73HB1J000J	CHIP R 0.0 J 1/16W		R951		RK73HB1J332J	CHIP R 3.3K J 1/16W	
R880		RK73HB1J154J	CHIP R 150K J 1/16W		R952		RK73HB1J101J	CHIP R 100 J 1/16W	
R881		RK73HB1J000J	CHIP R 0.0 J 1/16W	F	R953		RK73HB1J103J	CHIP R 10K J 1/16W	
R883		RK73HB1J000J	CHIP R 0.0 J 1/16W		R954		RK73HB1J332J	CHIP R 3.3K J 1/16W	
R885		RK73HB1J102J	CHIP R 1.0K J 1/16W		R955		RK73HB1J472J	CHIP R 4.7K J 1/16W	
R886		RK73HB1J000J	CHIP R 0.0 J 1/16W		R956		RK73HB1J223J	CHIP R 22K J 1/16W	
R887		RK73HB1J102J	CHIP R 1.0K J 1/16W		R957		RK73HB1J223J	CHIP R 22K J 1/16W	
R888		RK73HB1J000J	CHIP R 0.0 J 1/16W		R960		RK73HB1J000J	CHIP R 0.0 J 1/16W	
R889		RK73HB1J102J	CHIP R 1.0K J 1/16W		R962		RK73HB1J823J	CHIP R 82K J 1/16W	
R893		RK73HB1J000J	CHIP R 0.0 J 1/16W		R963		RK73HB1J000J	CHIP R 0.0 J 1/16W	A,B,C,D,E
R894		RK73HB1J000J	CHIP R 0.0 J 1/16W		R964		RK73HB1J6R8J	CHIP R 6.8 J 1/16W	A,B,C,D,E
R895		RK73HB1J102J	CHIP R 1.0K J 1/16W		R965		RK73HB1J000J	CHIP R 0.0 J 1/16W	
R896		RK73HB1J000J	CHIP R 0.0 J 1/16W		R966		RK73FB2B102J	CHIP R 1K J 1/8W	
R897		RK73HB1J473J	CHIP R 47K J 1/16W		R967		RK73HB1J473J	CHIP R 47K J 1/16W	
R898		RK73HB1J473J	CHIP R 47K J 1/16W		R968		RK73HB1J473J	CHIP R 47K J 1/16W	
R899		RK73HB1J000J	CHIP R 0.0 J 1/16W		R969		RK73HB1J473J	CHIP R 47K J 1/16W	
R900		RK73HB1J000J	CHIP R 0.0 J 1/16W		R970		RK73HB1J682J	CHIP R 6.8K J 1/16W	
R901		RK73HB1J000J	CHIP R 0.0 J 1/16W		TH300		B57331V2104J	THERMISTOR	
R902		RK73HB1J000J	CHIP R 0.0 J 1/16W		TH301		B57331V2104J	THERMISTOR	
R905		RK73GB2A000J	CHIP R 0.0 J 1/10W		TH302		B57331V2104J	THERMISTOR	
R906		RK73HB1J473J	CHIP R 47K J 1/16W		TH501		NCP18WB473JOS	THERMISTOR	F
R907		RK73HB1J473J	CHIP R 47K J 1/16W		TH501		NCP18WM474JOS	THERMISTOR	A,B,C,D,E
R908		RK73HB1J472J	CHIP R 4.7K J 1/16W		X1		L77-3055-05	TCXO(19.2MHZ)	
R909		RK73HB1J472J	CHIP R 4.7K J 1/16W		X700		L77-1950-05	CRYSTAL RESONATOR (11.0592MHZ)	
R910		RK73HB1J471J	CHIP R 470 J 1/16W		XF500		L71-0659-05	MCF (38.85MHZ)	
R911		RK73HB1J152J	CHIP R 1.5K J 1/16W						
R912		RK73GB2A102J	CHIP R 1.0K J 1/10W						
R913		RK73HB1J473J	CHIP R 47K J 1/16W						
R914		RK73HB1J000J	CHIP R 0.0 J 1/16W						
R915		RK73HB1J000J	CHIP R 0.0 J 1/16W						
R916		RK73HB1J000J	CHIP R 0.0 J 1/16W						
R917		RK73HB1J000J	CHIP R 0.0 J 1/16W						
R918		RK73HB1J223J	CHIP R 22K J 1/16W						
R919		RK73HB1J473J	CHIP R 47K J 1/16W						
R920		RK73HB1J472J	CHIP R 4.7K J 1/16W						
R921		RK73HB1J473J	CHIP R 47K J 1/16W						
R923		RK73HB1J472J	CHIP R 4.7K J 1/16W						
R924		RK73HB1J473J	CHIP R 47K J 1/16W						
R925		RK73HB1J473J	CHIP R 47K J 1/16W						
R927		RK73HB1J473J	CHIP R 47K J 1/16W						
R928		RK73HB1J473J	CHIP R 47K J 1/16W						
R929		RK73HB1J472J	CHIP R 4.7K J 1/16W						
R930		RK73HB1J472J	CHIP R 4.7K J 1/16W						
R931		RK73HB1J224J	CHIP R 220K J 1/16W						
R932		RK73HB1J224J	CHIP R 220K J 1/16W						
R933		RK73HB1J823J	CHIP R 82K J 1/16W						
R934		RK73HB1J823J	CHIP R 82K J 1/16W						
R935		RK73HB1J222J	CHIP R 2.2K J 1/16W						
R936		RK73HB1J222J	CHIP R 2.2K J 1/16W						
R938		RK73HB1J391J	CHIP R 390 J 1/16W						
R940		RK73FB2B000J	CHIP R 0.0 J 1/8W						

MEMO

TK-8360/8360H/8360H(U)

PARTS LIST

△ indicates safety critical components.

Parts without **Parts No.** are not supplied.

Les articles non mentionnés dans le **Parts No.** ne sont pas fournis.

Teile ohne **Parts No.** werden nicht geliefert.

TK-8360/8360H/8360H(U) DISPLAY UNIT (X54-3900-20)

Ref. No.	Address	Parts No.	Description	Destination
TK-8360/8360H/8360H(U)				
1	1B	A02-4073-41	PLASTIC CABINET	
2	2B	A1A-0091-00	CHASSIS	
3	3A	A62-1180-13	PANEL ASSY	A,B,C,D,E,F,G,I,J
5	2B	B09-0732-03	CAP(D-SUB)	
7	3A	B43-1650-04	BADGE	A,B,C,D,E,F,G,I,J
8	2D	B62-2278-10	INSTRUCTION MANUAL (E/R) ACCESSORY	D,E,F,G
8	2D	B62-2279-10	INSTRUCTION MANUAL (E/S/F) ACCESSORY	A,B,C
8	2D	B62-2280-10	INSTRUCTION MANUAL (E/C) ACCESSORY	J
8	2D	B62-2282-20	INSTRUCTION MANUAL (BL) ACCESSORY	I
10	2B	E04-0167-15	RF COAXIAL RECEPTACLE (M)	A,B,C,D,E,F,G,H,I
10	2B	E04-0454-15	RF COAXIAL RECEPTACLE (BNC)	I
11	2B	E23-1346-04	GROUND TERMINAL(CLIP)	
12	1C	E30-7523-65	DC CORD ASSY ACCESSORY	A,B,C,D,E,F,G,H,I
12	1C	E30-3339-15	DC CORD ASSY ACCESSORY	J
13	2B	E30-7684-35	DC CORD	A,B,C,D,E,F,G,H,I
13	2B	E30-7686-35	DC CORD	J
14	2A	E37-1461-05	FLAT CABLE(30 PANEL)	
15	1B	F10-3140-13	SHIELDING COVER	I
16	2B,1C	F51-0078-05	FUSE (10A)	J
16	1C	F52-0024-05	FUSE (BLADE TYPE) 15A ACCESSORY	A,B,C,E,G
16	1C	FZB10AU-100	FUSE (BLADE TYPE) 15A ACCESSORY	D,F,H,I
17	1A	G10-1365-04	FIBROUS SHEET	
18	3B	G13-2363-04	CUSHION	
19	2B	G53-1643-04	PACKING(DC CORD)	
20	2B	G53-1662-04	PACKING (RECEPTACLE)	
21	1B	G53-1819-21	PACKING (CHASSIS)	
22	2A	G53-1820-03	PACKING (PANEL)	
23	3A	G53-1858-03	PACKING(SP)	
25	1C,1D	H12-3178-05	PACKING FIXTURE	
26	2D	H52-2674-22	ITEM CARTON CASE	
28	3D	J19-1584-15	HOLDER (MIC HANGER)	A,B,C
29	3A	J19-5542-12	HOLDER(SP)	
30	1C	J29-0726-03	BRACKET ACCESSORY	
32	3A	K29-9479-01	KEY TOP	
A	1A,1B	N35-2604-43	BINDING HEAD MACHINE SCREW	
B	1A,1B,2B	N67-3008-48	PAN HEAD SEMS SCREW	
C	2B	N87-2608-48	BRAZIER HEAD TAPTITE SCREW	
D	1A	N67-3010-48	PAN HEAD SEMS SCREW	
34	3D	N99-2039-05	SCREW SET ACCESSORY	
36	3A	T07-0785-15	SPEAKER	
37	2C	T91-0624-95	MICROPHONE (KMC-30) ACCESSORY	A,C
38	2C	T91-0639-75	MICROPHONE (KMC-35) ACCESSORY	B
-		X54-3900-20	DISPLAY UNIT	
-		XCA-023C-02	SERVICE TX-RX UNIT	J
-		XCA-023E-01	SERVICE TX-RX UNIT	I
-		XCA-023K-01	SERVICE TX-RX UNIT	A
-		XCA-023K-02	SERVICE TX-RX UNIT	B
-		XCA-023K-03	SERVICE TX-RX UNIT	C
-		XCA-023M-00	SERVICE TX-RX UNIT	D
-		XCA-023M-01	SERVICE TX-RX UNIT	E
-		XCA-023M-02	SERVICE TX-RX UNIT	F
-		XCA-023M-03	SERVICE TX-RX UNIT	G
-		XCA-023X-01	SERVICE TX-RX UNIT	H

Ref. No.	Address	Parts No.	Description	Destination
DISPLAY UNIT (X54-3900-20)				
101	2A	B11-1885-03	ILLUMINATION GUIDE	
102	2A	B38-0936-15	LCD	
103	2A	E29-1231-15	INTER CONNECTOR(LCD)	
104	2A	J21-8629-03	MOUNTING HARDWARE (LCD)	
C1		CC73HCH1H101J	CHIP C 100PF J	
C2		CK73HB1H221K	CHIP C 220PF K	
C3		CK73HB1H221K	CHIP C 220PF K	
C4		CC73HCH1H101J	CHIP C 100PF J	
C5		CK73HB1H221K	CHIP C 220PF K	
C6		CK73HBB1H471K	CHIP C 470PF K	
C7		CK73HBB1H102K	CHIP C 1000PF K	
C8		CK73HB1H221K	CHIP C 220PF K	
C9		CK73HBB1H471K	CHIP C 470PF K	
C10		CK73HBB1H102K	CHIP C 1000PF K	
C11		CK73HB1H221K	CHIP C 220PF K	
C12		CC73HCH1H101J	CHIP C 100PF J	
C13		CK73HBB1E103K	CHIP C 0.01UF K	
C14		CK73HBB1H102K	CHIP C 1000PF K	
C15		CK73HBB1H102K	CHIP C 1000PF K	
C20		CC73HCH1H101J	CHIP C 100PF J	
C21		CK73HBB1E103K	CHIP C 0.01UF K	
C22		CK73HB1H221K	CHIP C 220PF K	
C23		CK73HBB1H102K	CHIP C 1000PF K	
C24		CK73HBB1E103K	CHIP C 0.01UF K	
C25		CK73HBB1H471K	CHIP C 470PF K	
C26		CK73HBB1H471K	CHIP C 470PF K	
C27		CK73HB1A105K	CHIP C 1.0UF K	
C28		CK73HB1A105K	CHIP C 1.0UF K	
C29		CK73HBB1H102K	CHIP C 1000PF K	
C30		CK73HBB1H102K	CHIP C 1000PF K	
C31		CK73HBB1H102K	CHIP C 1000PF K	
C32		CK73HBB1C473K	CHIP C 0.047UF K	
C33		CK73HBB1C473K	CHIP C 0.047UF K	
CN1		E40-6851-05	FLAT CABLE CONNECTOR	
CP1		RK74HB1J102J	CHIP-COM 1.0K J 1/16W	
D1		UDZW6.2(B)	ZENER DIODE	
D2		DA221	DIODE ARRAY	
D5		B30-2337-05	LED (YELLOW)	
D6		B30-2337-05	LED (YELLOW)	
D7		B30-2337-05	LED (YELLOW)	
D8		B30-2337-05	LED (YELLOW)	
D9		B30-2337-05	LED (YELLOW)	
D10		MC2850	DIODE	
D11		B30-2337-05	LED (YELLOW)	
D12		B30-2337-05	LED (YELLOW)	
D13		B30-2337-05	LED (YELLOW)	
D14		B30-2337-05	LED (YELLOW)	
D15		B30-2337-05	LED (YELLOW)	
D16		B30-2337-05	LED (YELLOW)	
D17		B30-2337-05	LED (YELLOW)	
D18		B30-2337-05	LED (YELLOW)	
D19		B30-2337-05	LED (YELLOW)	
D20		B30-2337-05	LED (YELLOW)	
D21		B30-2337-05	LED (YELLOW)	

PARTS LIST

DISPLAY UNIT (X54-3900-20)
TX-RX UNIT (XC1-168X-XX)

Ref. No.	Address	Parts No.	Description	Desti- nation	Ref. No.	Address	Parts No.	Description	Desti- nation
D22	3A	B30-2321-05	LED (BLUE LED)		C8		CK73HBB1A104K	CHIP C 0.1UF K	
D23	3A	B30-2151-05	LED (RED/GREEN)		C9		CK73HBB1A104K	CHIP C 0.1UF K	
D24		B30-2337-05	LED (YELLOW)		C10		CC73HCH1H101J	CHIP C 100PF J	
IC1		LC75857W-E	MOS-IC		C11		CC73GCH1H101J	CHIP C 100PF J	
J1	3A	E58-0535-05	MODULAR JACK(MIC)		C12		CC73HCH1H200J	CHIP C 20PF J	
L1		LB73G0BD-005	CHIP FERRITE		C14		CC73HCH1H101J	CHIP C 100PF J	
Q2		LTC014EEBFS8	DIGI TRANSISTOR		C16		CC73HCH1H101J	CHIP C 100PF J	
Q3		LTC014EEBFS8	DIGI TRANSISTOR		C17		CC73HCH1H080B	CHIP C 8.0PF B	
Q4		LTA014EEBFS8	DIGI TRANSISTOR		C19		CK73FBB0J106K	CHIP C 10UF K	
Q5		LTA014EEBFS8	DIGI TRANSISTOR		C21		CK73HBB1A104K	CHIP C 0.1UF K	
Q6		LTC014EEBFS8	DIGI TRANSISTOR		C22		CK73HXR0J105K	CHIP C 1.0UF K	
Q7		KRA225S	TRANSISTOR		C23		CK73HBB1A104K	CHIP C 0.1UF K	
Q8		DRC2114E0	TRANSISTOR		C24		CK73HBB1A104K	CHIP C 0.1UF K	
Q9		KRX102U	TRANSISTOR		C25		CK73FBB0J106K	CHIP C 10UF K	
Q10		2SB798AZ(DLDK)	TRANSISTOR		C27		CK73HBB1A104K	CHIP C 0.1UF K	
R1		RK73HB1J100J	CHIP R 10 J 1/16W		C28		CK73FBB0J106K	CHIP C 10UF K	
R2		RK73HB1J103J	CHIP R 10K J 1/16W		C29		CK73HBB1H471K	CHIP C 470PF K	
R3		RK73HB1J103J	CHIP R 10K J 1/16W		C30		CK73HBB1E103K	CHIP C 0.01UF K	
R4		RK73HB1J103J	CHIP R 10K J 1/16W		C31		CK73HBB1A104K	CHIP C 0.1UF K	
R5		RK73HB1J102J	CHIP R 1.0K J 1/16W		C32		CK73HBB1H471K	CHIP C 470PF K	
R6		RK73HB1J150J	CHIP R 15 J 1/16W		C33		CK73HBB1H471K	CHIP C 470PF K	
R7		RK73HB1J000J	CHIP R 0.0 J 1/16W		C35		CC73HCH1H3R5B	CHIP C 3.5PF B	
R8		RK73FB2B000J	CHIP R 0.0 J 1/8W		C36		CK73HBB1H471K	CHIP C 470PF K	
R9		RK73HB1J000J	CHIP R 0.0 J 1/16W		C42		CS77MA1V0R1M	CHIP TNTL 0.1UF 35WV	
R12		RK73HB1J101J	CHIP R 100 J 1/16W		C43		CC73HCH1H101J	CHIP C 100PF J	
R14		RK73HB1J122J	CHIP R 1.2K J 1/16W		C44		CC73HCH1H020B	CHIP C 2.0PF B	
R15		RK73HB1J000J	CHIP R 0.0 J 1/16W		C47		CK73HBB1H471K	CHIP C 470PF K	
R17		RK73HB1J000J	CHIP R 0.0 J 1/16W		C48		CS77MA1D1R5M	CHIP TNTL 0.5UF 20WV	
R18		RK73HB1J181J	CHIP R 180 J 1/16W		C49		CC73HCH1H050B	CHIP C 5.0PF B	
R19		RK73HB1J820J	CHIP R 82 J 1/16W		C50		CK73GB1H471K	CHIP C 470PF K	
R20		RK73HB1J000J	CHIP R 0.0 J 1/16W		C52		CC73HCH1H330J	CHIP C 33PF J	
R22		RK73HB1J000J	CHIP R 0.0 J 1/16W		C53		CC73HCH1H020B	CHIP C 2.0PF B	
R23		RK73HB1J473J	CHIP R 47K J 1/16W		C56		CC73HCH1H3R5B	CHIP C 3.5PF B	
R24		RK73HB1J103J	CHIP R 10K J 1/16W		C57		C93-1906-05	CHIP C 0.047UH J	
R25		RK73HB1J103J	CHIP R 10K J 1/16W		C59		CK73HBB1H471K	CHIP C 470PF K	
R26		RK73HB1J123J	CHIP R 12K J 1/16W		C61		C93-1906-05	CHIP C 0.047UH J	
R27		RK73HB1J473J	CHIP R 47K J 1/16W		C63		CC730AD1H104J	CHIP C 0.1UF J	
R28		RK73HB1J151J	CHIP R 150 J 1/16W		C65		CK73HBB1A104K	CHIP C 0.1UF K	
R29		RK73HB1J151J	CHIP R 150 J 1/16W		C66		CK73HBB1H471K	CHIP C 470PF K	
R30		RK73HB1J121J	CHIP R 120 J 1/16W		C68		CC73HCH1H470J	CHIP C 47PF J	A,B,D,E,H,I,J
R31		RK73HB1J121J	CHIP R 120 J 1/16W		C68		CC73HCH1H680J	CHIP C 68PF J	C,F,G
R32		RK73HB1J103J	CHIP R 10K J 1/16W		C70		CC73HCH1H470J	CHIP C 47PF J	
R33		RK73HB1J000J	CHIP R 0.0 J 1/16W		C72		CK73HBB1H471K	CHIP C 470PF K	
R34		RK73HB1J151J	CHIP R 150 J 1/16W		C74		CK73HBB1H471K	CHIP C 470PF K	
R35		RK73HB1J151J	CHIP R 150 J 1/16W		C75		CK73FBB0J106K	CHIP C 10UF K	
R36		RK73HB1J151J	CHIP R 150 J 1/16W		C77		CC73HCH1H100C	CHIP C 10PF C	A,B,D,E,H
R37		RK73HB1J151J	CHIP R 150 J 1/16W		C77		CC73HCH1H110J	CHIP C 11PF J	J
					C77		CC73HCH1H120J	CHIP C 12PF J	C,F,G,I
					C79		CC73HCH1H150J	CHIP C 15PF J	C,F,G,J
					C79		CC73HCH1H160J	CHIP C 16PF J	A,B,D,E,H,I
					C80		CC73HCH1H101J	CHIP C 100PF J	
					C81		CC73HCH1H0R5B	CHIP C 0.5PF B	
					C82		CC73HCH1HR75B	CHIP C 0.75PF B	
					C83		CC73HCH1H101J	CHIP C 100PF J	
					C84		CC73HCH1H101J	CHIP C 100PF J	
					C85		CK73GB1H471K	CHIP C 470PF K	
					C86		CK73GB1H471K	CHIP C 470PF K	
					C87		CC73HCH1H050B	CHIP C 5.0PF B	C,F,G,J
					C87		CC73HCH1H3R5B	CHIP C 3.5PF B	A,B,D,E,H
					C87		CC73HCH1H4R5B	CHIP C 4.5PF B	I
TX-RX UNIT (XC1-168X-XX) C-01:J E-02:I K-01:A,B,E K-02:C,G M-02:D,H M-03:F									
C1		CK73HBB1H471K	CHIP C 470PF K						
C2		CC73HCH1H020B	CHIP C 2.0PF B						
C5		CC73HCH1H101J	CHIP C 100PF J						
C6		CC73HCH1H101J	CHIP C 100PF J						
C7		CK73HBB1H102K	CHIP C 1000PF K						

A:TK-8360H K B:TK-8360H(U) K C:TK-8360H K2 D:TK-8360 M E:TK-8360H M
F:TK-8360 M2 G:TK-8360H M2 H:TK-8360 X I:TK-8360 E J:TK-8360 C6

TK-8360/8360H/8360H(U)

PARTS LIST

TX-RX UNIT (XC1-168X-XX)

Ref. No.	Address	Parts No.	Description	Desti- nation	Ref. No.	Address	Parts No.	Description	Desti- nation
C88		CC73HCH1H020B	CHIP C 2.0PF B	D,H,J	C312		CC73GCH1H470J	CHIP C 47PF J	C,F,G,I
C88		CC73HCH1H030B	CHIP C 3.0PF B	I	C314		CC73GCH1H101J	CHIP C 100PF J	A,B,E
C88		CC73HCH1H2R5B	CHIP C 2.5PF B	A,B,C,E,F,G	C314		CK73GB1H471K	CHIP C 470PF K	C,D,F,G,H,I,J
C89		CK73GB1H471K	CHIP C 470PF K		C315		CK73HB1A105K	CHIP C 1.0UF K	I
C90		CK73GB1H471K	CHIP C 470PF K		C319		CK73HBB1H471K	CHIP C 470PF K	A,B,D,E,F,H,I,J
C91		CC73HCH1H060B	CHIP C 6.0PF B	A,B,C,D,E,F,G,H,J	C321		CC73HCH1H101J	CHIP C 100PF J	C,D,F,G,H,I,J
C91		CC73HCH1H070B	CHIP C 7.0PF B	I	C322		CK73GB1H221K	CHIP C 220PF K	
C92		CC73HCH1H080B	CHIP C 8.0PF B		C324		CC73GCH1H220J	CHIP C 22PF J	A,B,C,D,E,F,G,H,I
C93		CC73HCH1H040B	CHIP C 4.0PF B	A,B,D,E,H,J	C325		CK73GBB1H102K	CHIP C 1000PF K	
C93		CC73HCH1H050B	CHIP C 5.0PF B	C,F,G,I	C326		CC73GCH1H101J	CHIP C 100PF J	
C94		CC73HCH1H050B	CHIP C 5.0PF B	C,F,G,I	C327		CC73GCH1H101J	CHIP C 100PF J	A,B,C,D,E,F,G,H,I
C94		CC73HCH1H060B	CHIP C 6.0PF B	A,B,D,E,H,J	C328		CK73HB1A154K	CHIP C 0.15UF K	A,B,E,J
C95		CK73HBB1H471K	CHIP C 470PF K		C328		CK73HBB1A104K	CHIP C 0.1UF K	C,D,F,G,H,I
C96		CC73HCH1H0R3B	CHIP C 0.3PF B	A,B,D,E,H,I	C330		CC73GCH1H470J	CHIP C 47PF J	J
C96		CC73HCH1H0R5B	CHIP C 0.5PF B	C,F,G,J	C330		CK73GB1H471K	CHIP C 470PF K	A,B,C,D,E,F,G,H,I
C97		CC73HCH1H0R3B	CHIP C 0.3PF B	C,F,G,I,J	C331		CC73GCH1H101J	CHIP C 100PF J	A,B,C,D,E,F,G,H,I
C97		CC73HCH1H0R5B	CHIP C 0.5PF B	A,B,D,E,H	C332		CK73GB1H471K	CHIP C 470PF K	
C98		CS77BB21C100M	CHIP TNL 10UF 16WV		C333		CC73GCH1H470J	CHIP C 47PF J	
C99		CK73HBB1H471K	CHIP C 470PF K		C334		CC73GCH1H220J	CHIP C 22PF J	
C100		CK73HBB1H471K	CHIP C 470PF K		C335		C93-0550-05	CHIP C 1.0PF C	J
C101		CK73HBB1H471K	CHIP C 470PF K		C335		C93-0553-05	CHIP C 3.0PF C	A,B,D,E,H
C102		CC73HCH1H040B	CHIP C 4.0PF B	A,B,D,E,H	C335		C93-0554-05	CHIP C 4PF C	F,I
C102		CC73HCH1H050B	CHIP C 5.0PF B	J	C335		C93-0555-05	CHIP C 5PF C	C,G
C102		CC73HCH1H060B	CHIP C 6.0PF B	C,F,G,I	C338		CK73HBB1A104K	CHIP C 0.1UF K	
C103		CC73HCH1H020B	CHIP C 2.0PF B		C339		CK73GB1H471K	CHIP C 470PF K	
C104		CC73GCH1H020B	CHIP C 2.0PF B	A,B,C,D,E,F,G,H,I	C340		C93-0552-05	CHIP C 2PF C	F,I
C104		CC73GCH1H2R5B	CHIP C 2.5PF B	J	C340		C93-0554-05	CHIP C 4PF C	C,G
C105		CK73HBB1H471K	CHIP C 470PF K		C342		CK73HBB1H471K	CHIP C 470PF K	A,B,D,E,F,H,I,J
C106		CK73HBB1H471K	CHIP C 470PF K		C343		CK73GB1H471K	CHIP C 470PF K	
C107		CK73HBB1H471K	CHIP C 470PF K		C345		CK73GBB1H103K	CHIP C 0.01UF K	
C108		CC73HCH1H0R5B	CHIP C 0.5PF B	C,F,G,I	C346		CK73HBB1H471K	CHIP C 470PF K	
C108		CC73HCH1H2R5B	CHIP C 2.5PF B	J	C347		CK73HBB1H471K	CHIP C 470PF K	
C109		CK73HBB1H471K	CHIP C 470PF K		C348		CK73GBB1H103K	CHIP C 0.01UF K	
C110		CC73GCH1H020B	CHIP C 2.0PF B	A,B,C,D,E,F,G,H,I	C349		CK73HBB1H471K	CHIP C 470PF K	
C110		CC73GCH1H2R5B	CHIP C 2.5PF B	J	C350		CC73GCH1H040B	CHIP C 4.0PF B	C,F,G,I,J
C111		CK73HBB1E103K	CHIP C 0.01UF K		C350		CC73GCH1H3R5B	CHIP C 3.5PF B	A,B,D,E,H
C112		CK73HBB1H471K	CHIP C 470PF K		C351		C93-0550-05	CHIP C 1.0PF C	A,B,E
C113		CK73HBB1H471K	CHIP C 470PF K		C351		C93-0552-05	CHIP C 2PF C	J
C114		CK73FBQJ226M	CHIP C 22UF M		C351		C93-0553-05	CHIP C 3.0PF C	C,F,G,I
C300		CC73GCH1H110J	CHIP C 11PF J	A,B,D,E,H	C351		C93-0554-05	CHIP C 4PF C	D,H
C300		CC73GCH1H120J	CHIP C 12PF J	C,F,G,I	C352		C93-1900-05	CHIP C 1000PF J	
C300		CC73GCH1H151J	CHIP C 150PF J	J	C353		C93-1900-05	CHIP C 1000PF J	
C301		CC73HCH1H060B	CHIP C 6.0PF B	A,B,D,E,H,J	C354		CC73GCH1H070B	CHIP C 7.0PF B	C,F,G,J
C301		CC73HCH1H070B	CHIP C 7.0PF B	C,F,G,I	C354		CC73GCH1H090B	CHIP C 9.0PF B	A,B,E
C302		CC73HCH1H110J	CHIP C 11PF J	A,B,D,E,H,J	C354		CC73GCH1H110G	CHIP C 11PF G	D,H,I
C302		CC73HCH1H150J	CHIP C 15PF J	C,F,G,I	C355		CC73GCH1H150J	CHIP C 15PF J	A,B,E
C303		CK73HBB1H471K	CHIP C 470PF K		C355		CC73GCH1H180J	CHIP C 18PF J	C,G
C304		CC73HCH1H120J	CHIP C 12PF J	C,F,G,I	C355		CC73GCH1H200J	CHIP C 20PF J	D,H
C304		CC73HCH1H240J	CHIP C 24PF J	A,B,D,E,H	C355		CC73GCH1H270J	CHIP C 27PF J	F,I
C304		CC73HCH1H390J	CHIP C 39PF J	J	C355		CC73GCH1H300J	CHIP C 30PF J	J
C305		CK73HBB1H102K	CHIP C 1000PF K		C356		C93-0552-05	CHIP C 2PF C	A,B,E
C308		CC73HCH1H110J	CHIP C 11PF J	A,B,D,E,H	C356		C93-0554-05	CHIP C 4PF C	C,G
C308		CC73HCH1H120J	CHIP C 12PF J	C,F,G,I	C356		C93-0555-05	CHIP C 5PF C	J
C308		CC73HCH1H150J	CHIP C 15PF J	J	C356		C93-0556-05	CHIP C 6.0PF D	D,F,H,I
C309		CK73HBB1H471K	CHIP C 470PF K		C357		C93-0550-05	CHIP C 1.0PF C	A,B,C,E,G,J
C310		CC73HCH1H110J	CHIP C 11PF J	J	C357		C93-0552-05	CHIP C 2PF C	D,H
C310		CC73HCH1H1R5B	CHIP C 1.5PF B	A,B,D,E,H	C358		CM73F2H040D	CHIP C 4.0PF D	A,B,E
C310		CC73HCH1H3R5B	CHIP C 3.5PF B	C,F,G,I	C358		CM73F2H060D	CHIP C 6.0PF D	D,H
C311		CK73HBB1E223K	CHIP C 0.022UF K		C358		CM73F2H070D	CHIP C 7.0PF D	C,G
C312		CC73GCH1H271J	CHIP C 270PF J	A,B,D,E,H,J	C358		CM73F2H080D	CHIP C 8.0PF D	J

PARTS LIST

TX-RX UNIT (XC1-168X-XX)

Ref. No.	Address	Parts No.	Description	Desti- nation	Ref. No.	Address	Parts No.	Description	Desti- nation
C358		CM73F2H100D	CHIP C 10PF D	F,I	C511		CK73HBB1A104K	CHIP C 0.1UF K	
C361		C93-0550-05	CHIP C 1.0PF C	A,B,E,F,I,J	C512		CK73HBB1A104K	CHIP C 0.1UF K	
C361		C93-0551-05	CHIP C 1.5PF C	C,G	C513		CK73HBB1A104K	CHIP C 0.1UF K	
C363		C93-0552-05	CHIP C 2PF C	D,H	C514		CK73HBB1A104K	CHIP C 0.1UF K	
C363		C93-0553-05	CHIP C 3.0PF C	A,B,E	C515		CK73HBB1A104K	CHIP C 0.1UF K	
C363		C93-0554-05	CHIP C 4PF C	C,G,I,J	C517		CK73HBB1H471K	CHIP C 470PF K	
C363		C93-0557-05	CHIP C 7.0PF D	F	C518		CK73HBB1E103K	CHIP C 0.01UF K	
C364		CK73GBB1H102K	CHIP C 1000PF K		C519		CK73HB1H221K	CHIP C 220PF K	
C366		CK73GBB1H102K	CHIP C 1000PF K		C520		CK73FBBOJ106K	CHIP C 10UF K	
C367		CK73HBB1H102K	CHIP C 1000PF K		C521		CK73HB1H221K	CHIP C 220PF K	
C401		CK73HBB1A104K	CHIP C 0.1UF K		C522		CK73HBB1A104K	CHIP C 0.1UF K	
C402		CK73HBB1E103K	CHIP C 0.01UF K		C523		CK73HBB1A104K	CHIP C 0.1UF K	
C404		CS77BB21C220M	CHIP TANTL 22UF 16WV		C524		CK73GBB1C104K	CHIP C 0.1UF K	
C406		CS77BB21C220M	CHIP TANTL 22UF 16WV		C525		CK73HBB1H102K	CHIP C 1000PF K	
C407		CK73HBB1A104K	CHIP C 0.1UF K		C527		CK73HB1E562K	CHIP C 5600PF K	
C410		CK73HBB1A104K	CHIP C 0.1UF K		C528		CC73HCH1H820J	CHIP C 82PF J	
C411		CK73HBB1A104K	CHIP C 0.1UF K		C529		CC73HCH1H330J	CHIP C 33PF J	
C412		CK73HBB1A104K	CHIP C 0.1UF K		C530		CK73HBB1E103K	CHIP C 0.01UF K	
C414		CK73HXROJ105K	CHIP C 1.0UF K		C531		CK73HBB1A104K	CHIP C 0.1UF K	
C415		CK73GBB1H102K	CHIP C 1000PF K		C532		CK73HBB1H471K	CHIP C 470PF K	
C416		CK73HBB1H102K	CHIP C 1000PF K		C533		CK73HBB1A104K	CHIP C 0.1UF K	
C417		CK73HBB1H102K	CHIP C 1000PF K		C535		CK73HBB1H102K	CHIP C 1000PF K	
C418		CK73GBB1A105K	CHIP C 1.0UF K		C536		CC73HCH1H050B	CHIP C 5.0PF B	A,B,D,E,H,J
C419		CK73GBB1H102K	CHIP C 1000PF K		C537		CK73HBB1A104K	CHIP C 0.1UF K	
C420		CS77BA1A100M	CHIP TANTL 10UF 10WV		C538		CK73HBB1H471K	CHIP C 470PF K	
C421		CK73HBB1H102K	CHIP C 1000PF K		C540		CK73HBB1H102K	CHIP C 1000PF K	
C422		CK73HBB1E103K	CHIP C 0.01UF K		C541		CK73HBB1E103K	CHIP C 0.01UF K	
C423		CK73GBB1H102K	CHIP C 1000PF K		C542		CK73HBB1E103K	CHIP C 0.01UF K	
C424		CK73GBB1H102K	CHIP C 1000PF K		C543		CK73HBB1E223K	CHIP C 0.022UF K	
C425		CK73HBB1E103K	CHIP C 0.01UF K		C544		CC73HCH1H010B	CHIP C 1.0PF B	
C426		CK73GBB1A105K	CHIP C 1.0UF K		C545		CC73HCH1H150J	CHIP C 15PF J	A,B,D,E,H
C427		CK73HBB1H102K	CHIP C 1000PF K		C545		CC73HCH1H180J	CHIP C 18PF J	C,F,G,I,J
C428		CK73FB1E225K	CHIP C 2.2UF K		C546		CC73HCH1H100D	CHIP C 10PF D	A,B,C,D,E,F,G,H,I
C429		CK73EB1E106K	CHIP C 10UF K		C546		CC73HCH1H110J	CHIP C 11PF J	J
C430		CK73HBB1H102K	CHIP C 1000PF K		C549		CK73HBB0J224K	CHIP C 0.2222UF K	
C433		CK73HBB1A104K	CHIP C 0.1UF K		C550		CK73HBB1A104K	CHIP C 0.1UF K	
C434		CK73GBB1H102K	CHIP C 1000PF K		C551		CK73HBB1E103K	CHIP C 0.01UF K	
C435		CK73GB1H221K	CHIP C 220PF K		C552		CK73HBB1H471K	CHIP C 470PF K	
C436		CK73GB1H471K	CHIP C 470PF K		C553		CC73HCH1H130J	CHIP C 13PF J	A,B,D,E,H,I
C437		CC73GCH1H220J	CHIP C 22PF J		C553		CC73HCH1H150G	CHIP C 15PF G	C,F,G
C438		CK73GB1H471K	CHIP C 470PF K		C553		CC73HCH1H160G	CHIP C 16PF G	J
C439		CC73GCH1H470J	CHIP C 47PF J		C554		CC73HCH1H030B	CHIP C 3.0PF B	
C440		CK73GB1H471K	CHIP C 470PF K		C555		CK73HBB1E103K	CHIP C 0.01UF K	
C442		CC73GCH1H101J	CHIP C 100PF J		C556		CK73HBB1H471K	CHIP C 470PF K	
C443		CK73GBB1H102K	CHIP C 1000PF K		C557		CK73GB1H471K	CHIP C 470PF K	
C444		CK73HB1A334K	CHIP C 0.33UF K		C558		CK73HBB1H471K	CHIP C 470PF K	
C445		CC73GCH1H470J	CHIP C 47PF J		C559		CK73HBB1E103K	CHIP C 0.01UF K	
C446		CK73GB1H471K	CHIP C 470PF K		C560		CK73HBB1H471K	CHIP C 470PF K	
C447		CK73GB1H221K	CHIP C 220PF K		C561		CC73HCH1H040B	CHIP C 4.0PF B	A,B,C,D,E,F,G,H,I
C448		CK73GB1H471K	CHIP C 470PF K		C561		CC73HCH1H110J	CHIP C 11PF J	J
C449		CK73HBB1H102K	CHIP C 1000PF K		C562		CK73HBB1H471K	CHIP C 470PF K	
C500		CC73HCH1H470J	CHIP C 47PF J		C563		CK73HBB1H471K	CHIP C 470PF K	
C502		CC73HCH1H101J	CHIP C 100PF J		C565		CK73HBB1H471K	CHIP C 470PF K	
C504		CK73HBB1E103K	CHIP C 0.01UF K		C566		CC73HCH1H150J	CHIP C 15PF J	A,B,D,E,H
C505		CC73HCH1H470J	CHIP C 47PF J		C566		CC73HCH1H680J	CHIP C 68PF J	C,F,G,I
C506		CC73HCH1H160J	CHIP C 16PF J		C566		CC73HCH1H820J	CHIP C 82PF J	J
C508		CC73HCH1H270J	CHIP C 27PF J		C567		CC73HCH1H030B	CHIP C 3.0PF B	A,B,C,D,E,F,G,H,I
C509		CK73HBB1E103K	CHIP C 0.01UF K		C567		CC73HCH1H050B	CHIP C 5.0PF B	J
C510		CK73HBB1A104K	CHIP C 0.1UF K		C568		CC73HCH1H010B	CHIP C 1.0PF B	C,F,G,I,J
					C568		CC73HCH1HR75B	CHIP C 0.75PF B	A,B,D,E,H

A:TK-8360H K B:TK-8360H(U) K C:TK-8360H K2 D:TK-8360 M E:TK-8360H M
F:TK-8360 M2 G:TK-8360H M2 H:TK-8360 X I:TK-8360 E J:TK-8360 C6

TK-8360/8360H/8360H(U)

PARTS LIST

TX-RX UNIT (XC1-168X-XX)

Ref. No.	Address	Parts No.	Description	Destination	Ref. No.	Address	Parts No.	Description	Destination
C569		CC73HCH1H010B	CHIP C 1.0PF B	I,J	C704		CC73HCH1H101J	CHIP C 100PF J	
C569		CC73HCH1H0R5B	CHIP C 0.5PF B	A,B,C,D,E,F,G,H	C705		CK73HBB1H471K	CHIP C 470PF K	
C570		CC73HCH1H040B	CHIP C 4.0PF B	C,F,G,I	C706		CC73HCH1H101J	CHIP C 100PF J	
C570		CC73HCH1H050B	CHIP C 5.0PF B	J	C707		CK73HBB1H471K	CHIP C 470PF K	
C570		CC73HCH1H4R5B	CHIP C 4.5PF B	A,B,D,E,H	C708		CK73HBB1H471K	CHIP C 470PF K	
C571		CC73HCH1H150J	CHIP C 15PF J	A,B,D,E,H	C709		CC73HCH1H101J	CHIP C 100PF J	
C571		CC73HCH1H680J	CHIP C 68PF J	C,F,G,I	C710		CK73HBB1H471K	CHIP C 470PF K	
C571		CC73HCH1H820J	CHIP C 82PF J	J	C712		CK73HBB1H471K	CHIP C 470PF K	
C572		CC73HCH1H020B	CHIP C 2.0PF B	C,F,G,I,J	C714		CK73HBB1H471K	CHIP C 470PF K	
C572		CC73HCH1H1R5B	CHIP C 1.5PF B	A,B,D,E,H	C716		CK73HBB1H471K	CHIP C 470PF K	
C573		CK73HBB1H102K	CHIP C 1000PF K		C717		CC73HCH1H101J	CHIP C 100PF J	
C574		CC73HCH1H010B	CHIP C 1.0PF B		C718		CK73HBB1H471K	CHIP C 470PF K	
C575		CC73HCH1H150J	CHIP C 15PF J	A,B,D,E,H	C720		CK73HBB1H471K	CHIP C 470PF K	
C575		CC73HCH1H680J	CHIP C 68PF J	C,F,G,I	C722		CK73HBB1H471K	CHIP C 470PF K	
C575		CC73HCH1H820J	CHIP C 82PF J	J	C723		CC73HCH1H101J	CHIP C 100PF J	
C578		CC73HCH1H030B	CHIP C 3.0PF B	C,F,G,I	C724		CK73HBB1H471K	CHIP C 470PF K	A,B,C,D,E,F,G,H,J
C578		CC73HCH1H050B	CHIP C 5.0PF B	J	C726		CK73HBB1H471K	CHIP C 470PF K	
C578		CC73HCH1H2R5B	CHIP C 2.5PF B	A,B,D,E,H	C728		CK73HBB1H471K	CHIP C 470PF K	
C579		CK73HBB1H471K	CHIP C 470PF K		C730		CK73HBB1H471K	CHIP C 470PF K	
C580		CK73HBB1H471K	CHIP C 470PF K		C732		CK73HBB1H471K	CHIP C 470PF K	
C582		CK73HBB1A104K	CHIP C 0.1UF K		C734		CK73HBB1H471K	CHIP C 470PF K	
C583		CK73HBB1H471K	CHIP C 470PF K		C735		CC73HCH1H101J	CHIP C 100PF J	
C585		CK73HBB1H471K	CHIP C 470PF K		C736		CK73HBB1H471K	CHIP C 470PF K	
C586		CK73HBB1H471K	CHIP C 470PF K		C738		CK73HBB1H471K	CHIP C 470PF K	
C587		CK73HBB1H471K	CHIP C 470PF K	A,B,C,D,E,F,G,H	C739		CC73HCH1H101J	CHIP C 100PF J	
C588		CK73HBB1H471K	CHIP C 470PF K		C740		CK73HBB1H471K	CHIP C 470PF K	
C589		CK73HBB1H471K	CHIP C 470PF K		C742		CC73HCH1H470J	CHIP C 47PF J	
C590		CC73HCH1H2R5B	CHIP C 2.5PF B	A,B,C,D,E,F,G,H,I	C743		CC73HCH1H470J	CHIP C 47PF J	
C590		CC73HCH1H3R5B	CHIP C 3.5PF B	J	C744		CK73HBB1H471K	CHIP C 470PF K	
C591		CC73GCH1H471J	CHIP C 470PF J	C,D,F,G,H,I,J	C745		CC73HCH1H470J	CHIP C 47PF J	
C592		CC73HCH1H150J	CHIP C 15PF J	A,B,D,E,H	C746		CK73HBB1H471K	CHIP C 470PF K	
C592		CC73HCH1H470J	CHIP C 47PF J	C,F,G,I	C747		CK73GBB1H102K	CHIP C 1000PF K	
C592		CC73HCH1H680J	CHIP C 68PF J	J	C748		CK73GBB1A105K	CHIP C 1.0UF K	
C593		CC73HCH1H040B	CHIP C 4.0PF B	C,F,G,I,J	C749		CK73HXR0J105K	CHIP C 1.0UF K	
C593		CC73HCH1H1R5B	CHIP C 1.5PF B	A,B,D,E,H	C752		CK73HXR0J105K	CHIP C 1.0UF K	
C594		CK73HBB1H102K	CHIP C 1000PF K		C754		CK73GBB1H102K	CHIP C 1000PF K	
C595		CC73HCH1H050B	CHIP C 5.0PF B	I,J	C755		CK73HXR0J105K	CHIP C 1.0UF K	
C595		CC73HCH1H2R5B	CHIP C 2.5PF B	A,B,D,E,H	C756		CK73GBB1C104K	CHIP C 0.1UF K	
C595		CC73HCH1H4R5B	CHIP C 4.5PF B	C,F,G	C758		CK73HBB1A104K	CHIP C 0.1UF K	
C596		CC73HCH1H150J	CHIP C 15PF J	A,B,D,E,H	C761		CK73HBB1H471K	CHIP C 470PF K	
C596		CC73HCH1H470J	CHIP C 47PF J	C,F,G,I	C762		CK73GB1E105K	CHIP C 1.0UF K	
C596		CC73HCH1H680J	CHIP C 68PF J	J	C763		CK73GB1E105K	CHIP C 1.0UF K	
C597		CC73HCH1H040B	CHIP C 4.0PF B	A,B,C,D,E,F,G,H	C764		CK73HBB1A104K	CHIP C 0.1UF K	
C597		CC73HCH1H050B	CHIP C 5.0PF B	I,J	C765		CK73FBB0J106K	CHIP C 10UF K	
C600		CC73HCH1H200G	CHIP C 20PF G	C,F,G,I,J	C766		CK73HBB1A104K	CHIP C 0.1UF K	
C600		CC73HCH1H300J	CHIP C 30PF J	A,B,D,E,H	C767		CK73GB1E105K	CHIP C 1.0UF K	
C602		CC73HCH1H040B	CHIP C 4.0PF B	A,B,D,E,H	C768		CK73GB1E105K	CHIP C 1.0UF K	
C602		CC73HCH1H080B	CHIP C 8.0PF B	C,F,G,I,J	C769		CK73HBB1A104K	CHIP C 0.1UF K	
C603		CC73HCH1H030B	CHIP C 3.0PF B	A,B,D,E,H	C771		CC73HCH1H680J	CHIP C 68PF J	
C603		CC73HCH1H050B	CHIP C 5.0PF B	C,F,G,I	C772		CK73HBB1A104K	CHIP C 0.1UF K	I,J
C603		CC73HCH1H100B	CHIP C 10PF B	J	C772		CK73HXR0J105K	CHIP C 1.0UF K	A,B,C,D,E,F,G,H
C605		CC73HCH1H020B	CHIP C 2.0PF B	J	C773		CK73HXR0J105K	CHIP C 1.0UF K	
C605		CC73HCH1H040B	CHIP C 4.0PF B	A,B,C,D,E,F,G,H,I	C774		CK73HBB1A104K	CHIP C 0.1UF K	
C607		CC73HCH1H100B	CHIP C 10PF B	J	C775		CK73HBB1A104K	CHIP C 0.1UF K	
C607		CK73HBB1H471K	CHIP C 470PF K	A,B,C,D,E,F,G,H,I	C777		CK73HBB1A104K	CHIP C 0.1UF K	
C608		CK73HBB1H471K	CHIP C 470PF K	J	C778		CK73HXR0J105K	CHIP C 1.0UF K	
C700		CC73HCH1H101J	CHIP C 100PF J		C779		CK73HBB1A104K	CHIP C 0.1UF K	
C701		CC73HCH1H101J	CHIP C 100PF J		C780		CK73GXR0J475K	CHIP C 4.7UF K	
C702		CC73HCH1H101J	CHIP C 100PF J		C784		CK73HBB1A104K	CHIP C 0.1UF K	
C703		CC73HCH1H101J	CHIP C 100PF J		C785		CK73HBB1C333K	CHIP C 0.033UF K	

PARTS LIST

TX-RX UNIT (XC1-168X-XX)

Ref. No.	Address	Parts No.	Description	Desti- nation	Ref. No.	Address	Parts No.	Description	Desti- nation
C786		CC73HCH1H121J	CHIP C 120PF J	C,F,G,I	C865		CK73HXR0J105K	CHIP C 1.0UF K	
C788		CK73HBB1H102K	CHIP C 1000PF K		C866		CK73HB1A224K	CHIP C 0.22UF K	
C789		CK73HBB1H222K	CHIP C 2200PF K		C867		CK73GBB1C224K	CHIP C 0.22UF K	
C790		CK73GB0J106K	CHIP C 10UF K		C869		CK73HBB1H102K	CHIP C 1000PF K	
C791		CK73HBB1A104K	CHIP C 0.1UF K		C871		CS77BA1C4R7M	CHIP TNL 4.7UF 16WV	
C792		CC73HCH1H391J	CHIP C 390PF J		C872		CE32CL1C470M	ELECTRO 47UF 16WV	
C793		CK73HBB1H471K	CHIP C 470PF K		C873		CE32BM1C471M	ELECTRO 470UF 16WV	
C794		CK73HBB1A104K	CHIP C 0.1UF K		C874		CK73HBB1H102K	CHIP C 1000PF K	
C795		CK73HXR0J105K	CHIP C 1.0UF K		C875		CE32BM1C471M	ELECTRO 470UF 16WV	
C796		CK73HBB1E103K	CHIP C 0.01UF K		C876		CC73HCH1H220J	CHIP C 22PF J	
C797		CK73HBB1A104K	CHIP C 0.1UF K		C877		CC73HCH1H470J	CHIP C 47PF J	
C799		CK73HBB1A104K	CHIP C 0.1UF K		C880		CC73HCH1H101J	CHIP C 100PF J	
C800		CK73HBB1A104K	CHIP C 0.1UF K		C881		CK73HBB1H471K	CHIP C 470PF K	
C801		CK73HBB1A104K	CHIP C 0.1UF K		C882		CC73HCH1H220J	CHIP C 22PF J	
C802		CK73HBB1E103K	CHIP C 0.01UF K		C883		CK73HBB1H471K	CHIP C 470PF K	
C803		CK73HXR0J105K	CHIP C 1.0UF K		C884		CC73HCH1H220J	CHIP C 22PF J	I A,B,C,D,E,F,G,H,J
C804		CK73GB0J106K	CHIP C 10UF K		C885		CK73HB1H103K	CHIP C 0.01UF K	
C807		CK73GBB1C104K	CHIP C 0.1UF K		C885		CK73HBB1H471K	CHIP C 470PF K	
C808		CK73GB1H471K	CHIP C 470PF K		C886		CK73HBB1A104K	CHIP C 0.1UF K	
C809		CK73HXR0J105K	CHIP C 1.0UF K		C887		CK73HBB1E103K	CHIP C 0.01UF K	
C810		CC73HCH1H101J	CHIP C 100PF J		C888		CK73HBB1H471K	CHIP C 470PF K	A,B,C,D,E,F,G,H,J I
C811		CK73FB0J106K	CHIP C 10UF K		C889		CK73HBB1H471K	CHIP C 470PF K	
C812		CK73HXR0J105K	CHIP C 1.0UF K		C890		CC73HCH1H121J	CHIP C 120PF J	
C813		CC73HCH1H101J	CHIP C 100PF J		C890		CC73HCH1H151J	CHIP C 150PF J	
C814		CK73HB0J475M	CHIP C 4.7UF M		C891		CK73HBB1A104K	CHIP C 0.1UF K	
C814		CK73HXR0J105K	CHIP C 1.0UF K	I,J	C893		CK73HBB1A104K	CHIP C 0.1UF K	C,D,F,G,H,I,J
C815		CC73HCH1H151J	CHIP C 150PF J		C894		CK73HB1H103K	CHIP C 0.01UF K	
C816		CK73HXR0J105K	CHIP C 1.0UF K		C895		CK73HBB1H102K	CHIP C 1000PF K	
C818		CK73FB0J106K	CHIP C 10UF K		C896		CK73HBB1E103K	CHIP C 0.01UF K	
C819		CK73HBB1E103K	CHIP C 0.01UF K		C897		CK73HBB1H471K	CHIP C 470PF K	
C820		CK73GBB1H104K	CHIP C 0.1UF K		C900		CC73HCH1H101J	CHIP C 100PF J	I
C821		CK73GB0J106K	CHIP C 10UF K		C902		CC73HCH1H101J	CHIP C 100PF J	
C822		CK73FB0J226M	CHIP C 22UF M		C903		CK73HB1H122K	CHIP C 1200PF K	
C823		CK73GBB1A105K	CHIP C 1.0UF K		C905		CE32BM1C471M	ELECTRO 470UF 16WV	
C824		CK73HBB1H102K	CHIP C 1000PF K		C906		CK73HB1A393K	CHIP C 0.039UF K	
C826		CK73HBB1A683K	CHIP C 0.068UF K		C908		CK73HB1C105K	CHIP C 1.0UF K	
C829		CK73HBB1H682K	CHIP C 6800PF K		C909		CK73HBB1C104K	CHIP C 0.1UF K	
C832		CK73GBB1H102K	CHIP C 1000PF K		C910		CC73HCH1H331J	CHIP C 330PF J	
C834		CK73HBB1H332K	CHIP C 3300PF K		C911		CK73HB1C105K	CHIP C 1.0UF K	
C836		CK73HBB1E103K	CHIP C 0.01UF K		CD500		L79-1866-05	DIGI TRANSISTOR	
C838		CC73HCH1H101J	CHIP C 100PF J	F,I C,D,F,G,H,I,J A,B,C,D,E,F,G,H,J	CF500		L72-0993-05	CERAMIC FILTER (450KHZ/WIDE)	I A,B,C,D,E,F,G,H,J I
C840		CK73HBB1H471K	CHIP C 470PF K		CF501		L72-0959-05	CERAMIC FILTER (450KHZ)	
C841		CK73HBB1H471K	CHIP C 470PF K		CF501		L72-0999-05	CERAMIC FILTER (450KHZ/NARROW)	
C842		CK73GBB1H102K	CHIP C 1000PF K		CN507		E23-1325-05	TERMINAL	
C843		CK73HXR0J105K	CHIP C 1.0UF K		CN700		E40-6361-05	PIN ASSY (26P)	
C844		CK73HBB1H102K	CHIP C 1000PF K		CN701		E40-6847-05	FLAT CABLE CONNECTOR	
C848		CC73HCH1H150J	CHIP C 15PF J		CP700		RK74HA1J102J	CHIP R 1K J 1/16W	
C849		CC73HCH1H010B	CHIP C 1.0PF B		CP701		RK74HA1J102J	CHIP R 1K J 1/16W	
C851		CC73HCH1H150J	CHIP C 15PF J		CP702		RK74HA1J102J	CHIP R 1K J 1/16W	
C852		CK73HBB1H102K	CHIP C 1000PF K		CP703		RK74HA1J102J	CHIP R 1K J 1/16W	
C853		CK73HB1A105K	CHIP C 1.0UF K		CP704		RK74HA1J101J	CHIP-COM 100 J 1/16W	
C854		CK73GBB1C104K	CHIP C 0.1UF K		D1		1S389-F	DIODE	
C855		CK73GBB1H102K	CHIP C 1000PF K		D7		1SV325F	VARI CAP DIODE	
C858		CK73HBB1H102K	CHIP C 1000PF K		D9		1SV325F	VARI CAP DIODE	
C859		CK73HBB1H102K	CHIP C 1000PF K		D10		1SV325F	VARI CAP DIODE	
C860		CK73HBB1H102K	CHIP C 1000PF K		D11		1SV325F	VARI CAP DIODE	
C861		CK73HBB1H102K	CHIP C 1000PF K		D12		1SV325F	VARI CAP DIODE	
C862		CK73GBB1A105K	CHIP C 1.0UF K		D13		1SV325F	VARI CAP DIODE	
C863		CK73GBB1A105K	CHIP C 1.0UF K		D14		1SV325F	VARI CAP DIODE	
C864		CK73HXR0J105K	CHIP C 1.0UF K		D15		1SV325F	VARI CAP DIODE	

A:TK-8360H K B:TK-8360H(U) K C:TK-8360H K2 D:TK-8360 M E:TK-8360H M
F:TK-8360 M2 G:TK-8360H M2 H:TK-8360 X I:TK-8360 E J:TK-8360 C6

TK-8360/8360H/8360H(U)

PARTS LIST

TX-RX UNIT (XC1-168X-XX)

Ref. No.	Address	Parts No.	Description	Desti- nation	Ref. No.	Address	Parts No.	Description	Desti- nation
D16		1SV278F	VARI CAP DIODE		IC403		BD4740G	MOS-IC	
D17		RN141S	DIODE		IC404		XC6120N302N-G	MOS-IC	
D18		RN141S	DIODE		IC500		TA31136FNG	MOS-IC	
D300		UDZW5.1B	ZENER DIODE		IC501		BA10358F	MOS-IC	
D301		1SS355	DIODE		IC700		ADM202EARNZ	MOS-IC	
D302		1SS390	DIODE	F,I	IC701		NJM2100V-ZB	BIPOLAR IC	
D302		HSC277	DIODE	A,B,C,D,E,G,H,J	IC702		CD686AQ3	MOS-IC	
D303		L407CDB	DIODE		IC703		XC6221B332N-G	MOS-IC	
D304		L407CDB	DIODE	A,B,C,E,F,G,I,J	IC704		F3650TDFBKEBA	MCU IC	A,B,C,D,E,F,G,I,J
D305		HSB88AS-E	DIODE	A,B,C,D,E,G,H,J	IC704		F3650TDFBKEBC	MCU IC	H
D305		RB706F-40	DIODE	F,I	IC705		M95512-RDW6TP	ROM IC	
D306		HSB88AS-E	DIODE	A,B,C,D,E,G,H,J	IC706	2A	LA4631VC-XE	ANALOG IC	
D306		RB706F-40	DIODE	F,I	IC707		TC7S66FUF	MOS-IC	
D307		RKP350KV	DIODE	D,H,I	IC708		TC4W53FUF	MOS-IC	
D307		RKP351KW-1P2	DIODE	A,B,C,E,F,G,J	IC709		NJM2746RB1-ZB	ANALOG IC	
D308		RKP350KV	DIODE	D,H	IC710		TC7W53FKF	MOS-IC	
D308		RKP351KW-1P2	DIODE	A,B,C,E,F,G,J	IC711		BD7542FVM	MOS-IC	
D309		UDZW3.3(B)	ZENER DIODE		J700	1B	E58-0567-05	SUB SOCKET D	
D310		UDZW3.3(B)	ZENER DIODE		J701	1B	E1B-0001-00	3.5D PHONE JACK(EXT SP)	
D311		L8103R	DIODE	I	L2		L41-1591-08	SMALL FIXED INDUCTOR (1.5UH)	
D400		Z5W27V	SURGE ABSORBER		L3		L92-0442-05	CHIP FERRITE	
D500		MC2858-T111	DIODE		L5		LK73H0AM15NJ	MULTILAYER CHIP INDUCTOR(15NH)	A,B,C,D,E,F,G,H,I
D501		MC2858-T111	DIODE		L5		LK73H0AM27NJ	MULTILAYER CHIP INDUCTOR(27NH)	J
D502		RB706F-40	DIODE		L8		LK73H0AM15NJ	MULTILAYER CHIP INDUCTOR(15NH)	A,B,C,D,E,F,G,H,I
D503		1SV305F	VARI CAP DIODE		L8		LK73H0AM22NJ	MULTILAYER CHIP INDUCTOR(22NH)	J
D504		1SV305F	VARI CAP DIODE		L9		LB73G0BV-001	CHIP FERRITE	
D505		1SV305F	VARI CAP DIODE		L11		LK73G0AFR27J	MULTILAYER CHIP INDUCTOR(270NH)	
D506		1SV305F	VARI CAP DIODE		L13		LK73G0AFR27J	MULTILAYER CHIP INDUCTOR(270NH)	
D507		1SV305F	VARI CAP DIODE		L15		LB73H0AV-003	CHIP FERRITE	
D508		HVC369B	VARI CAP DIODE		L16		LB73H0AV-003	CHIP FERRITE	
D700		DA2S101	DIODE		L19		LK73G0AFR22J	MULTILAYER CHIP INDUCTOR(220NH)	
D701		DA221	DIODE ARRAY		L22		LK73G0AFR22J	MULTILAYER CHIP INDUCTOR(220NH)	
D702		DA221	DIODE ARRAY		L23		LK73G0AFR22J	MULTILAYER CHIP INDUCTOR(220NH)	
D703		DA221	DIODE ARRAY		L24		LK73G0AFR22J	MULTILAYER CHIP INDUCTOR(220NH)	
D704		DA221	DIODE ARRAY		L26		LK73G0AFR22J	MULTILAYER CHIP INDUCTOR(220NH)	
D705		DA221	DIODE ARRAY		L28		LK73G0AFR22J	MULTILAYER CHIP INDUCTOR(220NH)	A,B,C,D,E,F,G,H,J
D706		DA221	DIODE ARRAY		L28		LK73G0AFR27J	MULTILAYER CHIP INDUCTOR(270NH)	I
D707		DA221	DIODE ARRAY		L29		LB73G0BV-001	CHIP FERRITE	
D708		DA221	DIODE ARRAY		L31		L41-2278-14	SMALL FIXED INDUCTOR (22NH)	A,B,D,E,H
D709		DA221	DIODE ARRAY		L31		L41-2778-14	SMALL FIXED INDUCTOR (27NH)	C,F,G,I
D710		DA221	DIODE ARRAY		L31		L41-3978-14	SMALL FIXED INDUCTOR (39NH)	J
D711		DA221	DIODE ARRAY		L32		L41-2278-14	SMALL FIXED INDUCTOR (22NH)	A,B,D,E,H
D712		MC2858-T111	DIODE		L32		L41-2778-14	SMALL FIXED INDUCTOR (27NH)	C,F,G,I
D713		1SS372F	SCHOTTKY DIODE		L32		L41-3978-14	SMALL FIXED INDUCTOR (39NH)	J
D715		UDZW18(B)	ZENER DIODE		L33		L40-2702-86	SMALL FIXED INDUCTOR (27UH)	
D716		DA2S101	DIODE		L35		LK73G0AFR22J	MULTILAYER CHIP INDUCTOR(220NH)	C,F,G,I
D717		GN1G	DIODE		L35		LK73G0AFR27J	MULTILAYER CHIP INDUCTOR(270NH)	A,B,D,E,H,J
F400		F53-0327-15	FUSE (4A)		L37		LK73G0AFR27J	MULTILAYER CHIP INDUCTOR(270NH)	
IC1		TC75S51FE(F)	MOS-IC		L39		L40-2702-86	SMALL FIXED INDUCTOR (27UH)	
IC2		MB15E03SL-E1	MOS-IC		L40		LB73G0BV-001	CHIP FERRITE	
IC3		BD7542FVM	MOS-IC		L41		L40-4775-71	SMALL FIXED INDUCTOR (47NH)	J
IC300	2B	RA30H3340M131	MOS-IC	J	L41		LK73H0AM33NJ	MULTILAYER CHIP INDUCTOR(33NH)	A,B,C,D,E,F,G,H,I
IC300	2B	RA60H40471101	MOS-IC	C,G	L42		LK73H0AM33NJ	MULTILAYER CHIP INDUCTOR(33NH)	A,B,D,E,H,J
IC300	2B	S-AU83AL	MOS-IC	F,I	L42		LK73H0AM39NJ	MULTILAYER CHIP INDUCTOR(39NH)	C,F,G,I
IC300	2B	S-AU83AH	MOS-IC	D,H	L300		LK73H0AM10NJ	MULTILAYER CHIP INDUCTOR(10NH)	J
IC300	2B	RA60H44521101	MOS-IC	A,B,E	L300		LK73H0AM6N8J	MULTILAYER CHIP INDUCTOR(6.8NH)	C,F,G,I
IC301		BA10358F	MOS-IC		L300		LK73H0AM8N2J	MULTILAYER CHIP INDUCTOR(8.2NH)	A,B,D,E,H
IC400		TA4809BF	ANALOG IC		L301		LK73H0AM4N7S	MULTILAYER CHIP INDUCTOR(4.7NH)	A,B,D,E,H
IC401		XC6221B332N-G	MOS-IC		L301		LK73H0AM6N8J	MULTILAYER CHIP INDUCTOR(6.8NH)	C,F,G,I
IC402		TA7805F-NQ	MOS-IC		L301		LK73H0AM8N2J	MULTILAYER CHIP INDUCTOR(8.2NH)	J
					L302		L40-3363-92	SMALL FIXED INDUCTOR (3.3NH)	C,F,G,I

22 If a part reference number is listed in a shaded box, that part does not come with the PCB.

A:TK-8360H K B:TK-8360H(U) K C:TK-8360H K2 D:TK-8360 M E:TK-8360H M
F:TK-8360 M2 G:TK-8360H M2 H:TK-8360 X I:TK-8360 E J:TK-8360 C6

PARTS LIST

TX-RX UNIT (XC1-168X-XX)

Ref. No.	Address	Parts No.	Description	Desti- nation	Ref. No.	Address	Parts No.	Description	Desti- nation
L302		LK73G0AF10NJ	MULTILAYER CHIP INDUCTOR(10NH)	A,B,D,E,H	Q5		2SK1824-A	FET	A,B,C,D,E,F,G,H,J
L302		LK73G0AF12NJ	MULTILAYER CHIP INDUCTOR(12NH)	J	Q5		2SK1830F	FET	I
L303		LK73G0AF15NJ	MULTILAYER CHIP INDUCTOR(15NH)	A,B,D,E,H,J	Q6		MCH3914-H/7/	FET	
L303		LK73G0AF39NJ	MULTILAYER CHIP INDUCTOR(39NH)	C,F,G,I	Q7		RE1C001ZP	FET	
L304		LK73G0AF12NJ	MULTILAYER CHIP INDUCTOR(12NH)	A,B,D,E,H	Q8		MCH3914-H/7/	FET	A,B,C,D,E,F,G,H,J
L304		LK73G0AF18NJ	MULTILAYER CHIP INDUCTOR(18NH)	C,F,G,I	Q8		MCH3914-H/8/	FET	I
L304		LK73G0AF47NJ	MULTILAYER CHIP INDUCTOR(47NH)	J	Q10		KRX102U	TRANSISTOR	
L305		LK73G0AF12NJ	MULTILAYER CHIP INDUCTOR(12NH)	A,B,D,E,H	Q11		KTC4075E(Y,GR)	TRANSISTOR	
L305		LK73G0AF18NJ	MULTILAYER CHIP INDUCTOR(18NH)	J	Q12		2SC5108F/Y/	TRANSISTOR	
L305		LK73G0AF27NJ	MULTILAYER CHIP INDUCTOR(27NH)	C,F,G,I	Q13		2SC5108F/Y/	TRANSISTOR	
L307		LB73Z0AF-001	CHIP FERRITE		Q300		RD00HVS1-T113	FET	
L308		LB73Z0AF-001	CHIP FERRITE		Q301		KRC402E-P	DIGI TRANSISTOR	I
L309		LB73Z0AF-001	CHIP FERRITE		Q400		LTC014EEBFS8	DIGI TRANSISTOR	
L310		L34-4902-05	AIR-CORE COIL (9.5T)		Q401		LTC014EEBFS8	DIGI TRANSISTOR	
L311		L34-1039-05	AIR-CORE COIL (1.5T)	A,B,C,E,F,G,I,J	Q402		2SB1694	TRANSISTOR	
L311		L34-1113-05	AIR-CORE COIL (1.5T)	D,H	Q403		2SB1694	TRANSISTOR	
L313		L34-1039-05	AIR-CORE COIL (1.5T)	A,B,C,D,E,F,G,H,I	Q404		RE1C001ZP	FET	
L313		L3E-0017-00	AIR-CORE COIL (1.5T)	J	Q405		RE1C001ZP	FET	
L314		L34-1039-05	AIR-CORE COIL (1.5T)	F,I,J	Q406		KTC4075E(Y,GR)	TRANSISTOR	
L314		L34-1113-05	AIR-CORE COIL (1.5T)	A,B,C,D,E,G,H	Q407		2SJ645	FET	
L315		L34-1039-05	AIR-CORE COIL (1.5T)	F,I,J	Q500		2SC5108F/Y/	TRANSISTOR	
L315		L34-1113-05	AIR-CORE COIL (1.5T)	A,B,C,D,E,G,H	Q502		LTA044EEBFS8	DIGI TRANSISTOR	
L316		L34-4902-05	AIR-CORE COIL (9.5T)		Q503		LTC044EEBFS8	DIGI TRANSISTOR	
L500		LK73G0AQR47K	MULTILAYER CHIP INDUCTOR(470NH)		Q504		2SC5108F/Y/	TRANSISTOR	
L501		LK73G0AQR47K	MULTILAYER CHIP INDUCTOR(470NH)		Q505		2SC2412K	TRANSISTOR	
L503		LK73G0AQR47K	MULTILAYER CHIP INDUCTOR(470NH)		Q506		KTC4075E(Y,GR)	TRANSISTOR	
L504		LK73H0AM18NJ	MULTILAYER CHIP INDUCTOR(18NH)		Q507		3SK318	FET	
L507		LK73H0AM15NJ	MULTILAYER CHIP INDUCTOR(15NH)	J	Q508		LTC014EEBFS8	DIGI TRANSISTOR	
L508		LK73H0AM18NJ	MULTILAYER CHIP INDUCTOR(18NH)	A,B,C,D,E,F,G,H,I	Q511		3SK318	FET	
L509		L41-4785-39	SMALL FIXED INDUCTOR (470NH)	C,F,G,I,J	Q700		2SC4116(Y)F	TRANSISTOR	
L509		LR77Z0AER27J	SMALL FIXED INDUCTOR (270NH)	A,B,D,E,H	Q702		2SJ645	FET	
L510		L41-4785-39	SMALL FIXED INDUCTOR (470NH)	C,F,G,I,J	Q703		2SC4919-S	TRANSISTOR	
L510		L41-6885-39	SMALL FIXED INDUCTOR (680NH)	A,B,D,E,H	Q704		2SK1824-A	FET	A,B,C,D,E,F,G,H,J
L512		L41-6868-14	SMALL FIXED INDUCTOR (6.8NH)	A,B,C,D,E,F,G,H,I	Q704		2SK1830F	FET	I
L512		L41-8268-14	SMALL FIXED INDUCTOR (8.2NH)	J	Q705		KTC4075E(Y,GR)	TRANSISTOR	
L513		L41-6868-14	SMALL FIXED INDUCTOR (6.8NH)	A,B,C,D,E,F,G,H,I	Q708		KTC4075E(Y,GR)	TRANSISTOR	
L513		L41-8268-14	SMALL FIXED INDUCTOR (8.2NH)	J	Q709		RE1C001ZP	FET	
L514		L41-6868-14	SMALL FIXED INDUCTOR (6.8NH)	A,B,C,D,E,F,G,H,I	Q710		KTC4075E(Y,GR)	TRANSISTOR	
L514		L41-8268-14	SMALL FIXED INDUCTOR (8.2NH)	J	Q712		RE1C001ZP	FET	
L515		L41-2788-45	SMALL FIXED INDUCTOR (270NH)		Q713		RE1L002SN	FET	
L516		LK73G0AF18NJ	MULTILAYER CHIP INDUCTOR(18NH)	A,B,C,D,E,F,G,H,I	Q714		LTC044TUBFS8	DIGI TRANSISTOR	
L516		LK73G0AF22NJ	MULTILAYER CHIP INDUCTOR(22NH)	J	Q715		RT1N144U-T111	TRANSISTOR	
L518		L41-6868-14	SMALL FIXED INDUCTOR (6.8NH)	A,B,C,D,E,F,G,H,I	Q716		KTC4075E(Y,GR)	TRANSISTOR	
L518		L41-8268-14	SMALL FIXED INDUCTOR (8.2NH)	J	Q717		LTC044EEBFS8	DIGI TRANSISTOR	
L519		L41-6868-14	SMALL FIXED INDUCTOR (6.8NH)	A,B,C,D,E,F,G,H,I	Q718		RE1C001UN	FET	
L519		L41-8268-14	SMALL FIXED INDUCTOR (8.2NH)	J	Q719		RE1C001UN	FET	
L523		L41-8275-45	SMALL FIXED INDUCTOR (82NH)		Q720		LTC014EEBFS8	DIGI TRANSISTOR	
L700		LB73H0AV-003	CHIP FERRITE		R1		RK73HB1J473J	CHIP R 47K J 1/16W	
L701		LB73H0AV-003	CHIP FERRITE		R3		RK73HB1J100J	CHIP R 10 J 1/16W	
L702		LB73G0BV-001	CHIP FERRITE		R5		RK73HB1J103J	CHIP R 10K J 1/16W	
L704		LB73G0BV-001	CHIP FERRITE		R6		RK73HB1J102J	CHIP R 1.0K J 1/16W	
L706		LB73H0AV-001	CHIP FERRITE		R7		RK73HB1J102J	CHIP R 1.0K J 1/16W	
L707		LB73H0AV-003	CHIP FERRITE		R8		RK73HB1J102J	CHIP R 1.0K J 1/16W	
L708		LB73H0AV-003	CHIP FERRITE		R9		RK73HB1J000J	CHIP R 0.0 J 1/16W	
L709		LB73H0AV-003	CHIP FERRITE		R10		RK73HB1J152J	CHIP R 1.5K J 1/16W	
L710		LB73H0AV-003	CHIP FERRITE		R11		RK73HB1J223J	CHIP R 22K J 1/16W	
L711		LB73H0AV-003	CHIP FERRITE		R12		RK73HB1J000J	CHIP R 0.0 J 1/16W	
L712		LB73H0AV-003	CHIP FERRITE		R13		RK73HB1J563J	CHIP R 56K J 1/16W	
Q1		KTC4075E(Y,GR)	TRANSISTOR		R14		RK73HB1J000J	CHIP R 0.0 J 1/16W	
Q4		RE1C001ZP	FET		R15		RK73HB1J104J	CHIP R 100 J 1/16W	

A:TK-8360H K B:TK-8360H(U) K C:TK-8360H K2 D:TK-8360 M E:TK-8360H M
F:TK-8360 M2 G:TK-8360H M2 H:TK-8360 X I:TK-8360 E J:TK-8360 C6

TK-8360/8360H/8360H(U)

PARTS LIST

TX-RX UNIT (XC1-168X-XX)

Ref. No.	Address	Parts No.	Description	Desti- nation	Ref. No.	Address	Parts No.	Description	Desti- nation
R16		RK73HB1J561J	CHIP R 560 J 1/16W		R80		RK73HB1J124J	CHIP R 120K J 1/16W	D,H
R17		RK73HB1J100J	CHIP R 10 J 1/16W		R80		RK73HB1J393J	CHIP R 39K J 1/16W	J
R19		RK73HB1J000J	CHIP R 0.0 J 1/16W		R80		RK73HB1J683J	CHIP R 68K J 1/16W	A,B,E
R20		RK73HB1J000J	CHIP R 0.0 J 1/16W		R81		RK73HB1J100J	CHIP R 10 J 1/16W	C,F,G,I
R21		RK73HB1J100J	CHIP R 10 J 1/16W		R81		RK73HB1J101J	CHIP R 100 J 1/16W	A,B,D,E,H,J
R22		RK73HB1J102J	CHIP R 1.0K J 1/16W		R82		RK73HB1J100J	CHIP R 10 J 1/16W	C,D,F,G,H,I
R23		RK73HB1J100J	CHIP R 10 J 1/16W		R82		RK73HB1J101J	CHIP R 100 J 1/16W	A,B,E,J
R24		RK73HB1J183J	CHIP R 18K J 1/16W		R83		RK73HB1J102J	CHIP R 1.0K J 1/16W	A,B,D,E,H,J
R25		RK73HB1J560J	CHIP R 56 J 1/16W		R83		RK73HB1J391J	CHIP R 390 J 1/16W	C,F,G,I
R26		RK73HB1J000J	CHIP R 0.0 J 1/16W		R84		RK73HB1J000J	CHIP R 0.0 J 1/16W	
R30		RK73HB1J472J	CHIP R 4.7K J 1/16W		R85		RK73HB1J222J	CHIP R 2.2K J 1/16W	
R33		RK73HB1J000J	CHIP R 0.0 J 1/16W		R86		RK73HB1J472J	CHIP R 4.7K J 1/16W	
R34		RK73HB1J000J	CHIP R 0.0 J 1/16W		R87		RK73GB2A472J	CHIP R 4.7K J 1/10W	
R36		RK73HB1J102J	CHIP R 1.0K J 1/16W		R88		RK73HB1J104J	CHIP R 100 J 1/16W	A,B,C,D,E,F,G,H
R39		RK73HB1J000J	CHIP R 0.0 J 1/16W		R88		RK73HB1J474J	CHIP R 470K J 1/16W	I,J
R40		RK73HB1J000J	CHIP R 0.0 J 1/16W		R89		RK73HB1J104J	CHIP R 100 J 1/16W	A,B,C,D,E,F,G,H
R41		RK73HB1J223J	CHIP R 22K J 1/16W		R89		RK73HB1J474J	CHIP R 470K J 1/16W	I,J
R42		RK73HB1J272J	CHIP R 2.7K J 1/16W	A,B,C,D,E,F,G,H,I	R300		RK73HB1J472J	CHIP R 4.7K J 1/16W	
R42		RK73HB1J332J	CHIP R 3.3K J 1/16W	J	R301		RK73HB1J223J	CHIP R 22K J 1/16W	J
R44		RK73HB1J153J	CHIP R 15K J 1/16W		R301		RK73HB1J273J	CHIP R 27K J 1/16W	A,B,C,D,E,F,G,H,I
R45		RK73HB1J102J	CHIP R 1.0K J 1/16W	A,B,C,D,E,F,G,H,I	R302		RK73HB1J103J	CHIP R 10K J 1/16W	A,B,C,D,E,F,G,H,I
R45		RK73HB1J222J	CHIP R 2.2K J 1/16W	I	R302		RK73HB1J822J	CHIP R 8.2K J 1/16W	J
R46		RK73HB1J000J	CHIP R 0.0 J 1/16W		R307		RK73GB2A151J	CHIP R 150 J 1/10W	J
R47		RK73HB1J000J	CHIP R 0.0 J 1/16W		R308		RK73HB1J102J	CHIP R 1.0K J 1/16W	I
R50		RK73HB1J225J	CHIP R 2.2M J 1/16W		R309		RK73GB2A100J	CHIP R 10 J 1/10W	C,F,G,I
R51		RK73HB1J000J	CHIP R 0.0 J 1/16W		R309		RK73GB2A220J	CHIP R 22 J 1/10W	A,B,D,E,H
R52		RK73HB1J182J	CHIP R 1.8K J 1/16W		R309		RK73GB2A390J	CHIP R 39 J 1/10W	J
R53		RK73FB2B102J	CHIP R 1K J 1/8W		R310		RK73GB2A000J	CHIP R 0.0 J 1/10W	J
R54		RK73HB1J000J	CHIP R 0.0 J 1/16W		R310		RK73GB2A100J	CHIP R 10 J 1/10W	C,F,G,I
R55		RK73HB1J000J	CHIP R 0.0 J 1/16W		R310		RK73GB2A220J	CHIP R 22 J 1/10W	A,B,D,E,H
R56		RK73HB1J103J	CHIP R 10K J 1/16W	A,B,C,D,E,F,G,H,I	R311		RK73GB2A121J	CHIP R 120 J 1/10W	C,F,G,I
R56		RK73HB1J104J	CHIP R 100 J 1/16W	I	R311		RK73GB2A151J	CHIP R 150 J 1/10W	J
R57		RK73HB1J103J	CHIP R 10K J 1/16W		R311		RK73GB2A470J	CHIP R 47 J 1/10W	A,B,D,E,H
R58		RK73HB1J000J	CHIP R 0.0 J 1/16W		R312		RK73HB1J560J	CHIP R 56 J 1/16W	I
R59		RK73HB1J000J	CHIP R 0.0 J 1/16W		R313		RK73HB1J101J	CHIP R 100 J 1/16W	
R61		RK73HB1J000J	CHIP R 0.0 J 1/16W		R315		RK73GB2A470J	CHIP R 47 J 1/10W	
R62		RK73HB1J473J	CHIP R 47K J 1/16W		R316		RK73HB1J000J	CHIP R 0.0 J 1/16W	
R63		RK73HB1J000J	CHIP R 0.0 J 1/16W		R317		RK73HB1J224J	CHIP R 220K J 1/16W	A,B,C,E,F,G,I
R64		RK73HB1J393J	CHIP R 39K J 1/16W		R317		RK73HB1J334J	CHIP R 330K J 1/16W	D,H,J
R65		RK73HB1J393J	CHIP R 39K J 1/16W		R319		RK73HB1J103J	CHIP R 10K J 1/16W	
R66		RK73HB1J473J	CHIP R 47K J 1/16W		R320		RK73HB1J103J	CHIP R 10K J 1/16W	
R67		RN73HH1J391D	CHIP R 390 J 1/16W		R321		RK73HB1J000J	CHIP R 0.0 J 1/16W	
R68		RN73HH1J391D	CHIP R 390 J 1/16W	C,F,G,I	R323		RK73HB1J183J	CHIP R 18K J 1/16W	F,I
R68		RN73HH1J561D	CHIP R 560 J 1/16W	A,B,D,E,H,J	R323		RK73HB1J273J	CHIP R 27K J 1/16W	C,D,G,H,J
R69		RK73GB2A104J	CHIP R 100K J 1/10W		R323		RK73HB1J333J	CHIP R 33K J 1/16W	A,B,E
R70		RK73HB1J472J	CHIP R 4.7K J 1/16W		R324		RK73HB1J000J	CHIP R 0.0 J 1/16W	
R71		RN73HH1J151D	CHIP R 150 D 1/16W	I	R326		RK73HB1J223J	CHIP R 22K J 1/16W	A,B,C,E,G
R71		RN73HH1J680D	CHIP R 68 D 1/16W	A,B,C,D,E,F,G,H,I	R326		RK73HB1J473J	CHIP R 47K J 1/16W	D,F,H,I,J
R72		RN73HOAJ121D	CHIP R 120 D 1/16W	J	R328		RK73HB1J000J	CHIP R 0.0 J 1/16W	
R72		RN73HH1J101D	CHIP R 100 D 1/16W	A,B,C,D,E,F,G,H,I	R329		RK73HB1J000J	CHIP R 0.0 J 1/16W	
R73		RK73HB1J102J	CHIP R 1.0K J 1/16W		R330		RK73HB1J104J	CHIP R 100 J 1/16W	
R74		RK73HB1J000J	CHIP R 0.0 J 1/16W		R331		RK73HB1J104J	CHIP R 100 J 1/16W	
R75		RK73HB1J000J	CHIP R 0.0 J 1/16W		R333		RK73HB1J104J	CHIP R 100 J 1/16W	
R76		RK73HB1J104J	CHIP R 100 J 1/16W	C,F,G,I	R334		RK73GH2A101D	CHIP R 100 J 1/10W	J
R76		RK73HB1J124J	CHIP R 120K J 1/16W	A,B,E,J	R334		RK73GH2A181D	CHIP R 180 D 1/10W	C,G
R76		RK73HB1J563J	CHIP R 56K J 1/16W	D,H	R334		RK73GH2A201D	CHIP R 200 D 1/10W	F,I
R77		RK73HB1J000J	CHIP R 0.0 J 1/16W		R334		RK73GH2A560D	CHIP R 56 D 1/10W	A,B,D,E,H
R78		RK73HB1J101J	CHIP R 100 J 1/16W	A,B,D,E,H,J	R335		RK73GH2A101D	CHIP R 100 J 1/10W	F,I
R78		RK73HB1J151J	CHIP R 150 J 1/16W	C,F,G,I	R335		RK73GH2A181D	CHIP R 180 D 1/10W	C,G
R80		RK73HB1J104J	CHIP R 100 J 1/16W	C,F,G,I	R336		RK73HB1J104J	CHIP R 100 J 1/16W	

PARTS LIST

TX-RX UNIT (XC1-168X-XX)

Ref. No.	Address	Parts No.	Description	Desti- nation	Ref. No.	Address	Parts No.	Description	Desti- nation
R337		RK73HB1J104J	CHIP R 100 J 1/16W	C,D,F,G,H,I,J A,B,E	R528		RK73HB1J224J	CHIP R 220K J 1/16W	
R339		RK73GH2A101D	CHIP R 100 J 1/10W		R529		RK73HB1J000J	CHIP R 0.0 J 1/16W	
R339		RK73GH2A820D	CHIP R 82 D 1/10W		R530		RK73HB1J560J	CHIP R 56 J 1/16W	
R340		RK73HB1J000J	CHIP R 0.0 J 1/16W		R531		RK73HB1J391J	CHIP R 390 J 1/16W	
R341		RK73HB1J000J	CHIP R 0.0 J 1/16W		R533		RK73HB1J102J	CHIP R 1.0K J 1/16W	
R342		RK73HB1J104J	CHIP R 100 J 1/16W	R534		RK73HB1J391J	CHIP R 390 J 1/16W		
R343		RK73GH2A201D	CHIP R 200 D 1/10W	R536		RK73HB1J183J	CHIP R 18K J 1/16W	A,B,C,D,E,F,G,H,I	
R344		RK73HB1J000J	CHIP R 0.0 J 1/16W	R536		RK73HB1J562J	CHIP R 5.6K J 1/16W	J	
R345		RK73RB2H101J	CHIP R 100 J 1/2W	R537		RK73HB1J103J	CHIP R 10K J 1/16W	J	
R346		RK73GB2A102J	CHIP R 1.0K J 1/10W	R537		RK73HB1J124J	CHIP R 120K J 1/16W	I	
R348		RK73GB2A000J	CHIP R 0.0 J 1/10W	R537		RK73HB1J473J	CHIP R 47K J 1/16W	A,B,C,D,E,F,G,H	
R349		RK73GB2A000J	CHIP R 0.0 J 1/10W	R538		RK73HB1J220J	CHIP R 22 J 1/16W	I	
R350		RK73GB2A000J	CHIP R 0.0 J 1/10W	R538		RK73HB1J470J	CHIP R 47 J 1/16W	A,B,C,D,E,F,G,H,I	
R351		RK73GB2A000J	CHIP R 0.0 J 1/10W	R540		RK73HB1J823J	CHIP R 82K J 1/16W		
R352		RK73GH2A121D	CHIP R 120 D 1/10W	R541		RK73HB1J823J	CHIP R 82K J 1/16W		
R352		RK73GH2A221D	CHIP R 220 D 1/10W	R542		RK73HB1J224J	CHIP R 220K J 1/16W		
R352		RK73GH2A271D	CHIP R 270 D 1/10W	R543		RK73HB1J684J	CHIP R 680K J 1/16W		
R353		RK73GH2A101D	CHIP R 100 J 1/10W	R545		RK73HB1J151J	CHIP R 150 J 1/16W	C,F,G	
R353		RK73GH2A181D	CHIP R 180 D 1/10W	R545		RK73HB1J391J	CHIP R 390 J 1/16W	A,B,D,E,H,I,J	
R358	2B	R92-1061-05	JUMPER REST 0 OHM	R546		RK73HB1J823J	CHIP R 82K J 1/16W		
R400		RK73HB1J103J	CHIP R 10K J 1/16W	R547		RK73HB1J394J	CHIP R 390K J 1/16W		
R401		RK73HB1J472J	CHIP R 4.7K J 1/16W	R548		RK73HB1J154J	CHIP R 150K J 1/16W		
R402		RK73HB1J152J	CHIP R 1.5K J 1/16W	R549		RK73HB1J000J	CHIP R 0.0 J 1/16W	I,J	
R403		RK73HB1J473J	CHIP R 47K J 1/16W	R549		RK73HB1J270J	CHIP R 27 J 1/16W	A,B,C,D,E,F,G,H	
R404		RK73HB1J473J	CHIP R 47K J 1/16W	R550		RK73HB1J000J	CHIP R 0.0 J 1/16W		
R405		RK73HB1J104J	CHIP R 100 J 1/16W	R551		RK73HB1J000J	CHIP R 0.0 J 1/16W		
R406		RK73HB1J104J	CHIP R 100 J 1/16W	R552		RK73HB1J1105J	CHIP R 1.0M J 1/16W		
R407		RK73HB1J102J	CHIP R 1.0K J 1/16W	R557		RK73HB1J105J	CHIP R 1.0M J 1/16W		
R408		RK73GB2A221J	CHIP R 220 J 1/10W	R558		RK73HB1J105J	CHIP R 1.0M J 1/16W		
R409		RK73GB2A473J	CHIP R 47K J 1/10W	R561		RK73HB1J000J	CHIP R 0.0 J 1/16W		
R410		RK73GB2A334J	CHIP R 330K J 1/10W	R563		RK73HB1J000J	CHIP R 0.0 J 1/16W	A,B,D,E,H	
R411		RK73HB1J474J	CHIP R 470K J 1/16W	R563		RK73HB1J121J	CHIP R 120 J 1/16W	I	
R412		RK73HB1J564J	CHIP R 560K J 1/16W	R563		RK73HB1J270J	CHIP R 27 J 1/16W	C,F,G	
R413		RK73HB1J000J	CHIP R 0.0 J 1/16W	R563		RK73HB1J680J	CHIP R 68 J 1/16W	J	
R414		RK73HB1J474J	CHIP R 470K J 1/16W	R564		RK73HB1J000J	CHIP R 0.0 J 1/16W		
R500		RK73HB1J000J	CHIP R 0.0 J 1/16W	R565		RK73HB1J223J	CHIP R 22K J 1/16W		
R502		RK73HB1J824J	CHIP R 820K J 1/16W	R566		RK73HB1J101J	CHIP R 100 J 1/16W	J	
R503		RK73HB1J101J	CHIP R 100 J 1/16W	R566		RK73HB1J221J	CHIP R 220 J 1/16W	A,B,C,D,E,F,G,H	
R504		RK73HB1J103J	CHIP R 10K J 1/16W	R566		RK73HB1J391J	CHIP R 390 J 1/16W	I	
R505		RK73HB1J103J	CHIP R 10K J 1/16W	R567		RK73HB1J104J	CHIP R 100 J 1/16W	A,B,C,D,E,F,G,H	
R506		RK73HB1J103J	CHIP R 10K J 1/16W	R567		RK73HB1J184J	CHIP R 180K J 1/16W	J	
R507		RK73HB1J103J	CHIP R 10K J 1/16W	R567		RK73HB1J334J	CHIP R 330K J 1/16W	I	
R508		RK73HB1J103J	CHIP R 10K J 1/16W	R568		RK73HB1J564J	CHIP R 560K J 1/16W		
R510		RK73HB1J103J	CHIP R 10K J 1/16W	R569		RK73HB1J223J	CHIP R 22K J 1/16W		
R511		RK73GB2A100J	CHIP R 10 J 1/10W	R570		RK73HB1J823J	CHIP R 82K J 1/16W		
R512		RK73HB1J182J	CHIP R 1.8K J 1/16W	R571		RK73HB1J683J	CHIP R 68K J 1/16W		
R513		RK73HB1J104J	CHIP R 100 J 1/16W	R572		RK73HB1J000J	CHIP R 0.0 J 1/16W		
R513		RK73HB1J124J	CHIP R 120K J 1/16W	R573		RK73HB1J223J	CHIP R 22K J 1/16W		
R513		RK73HB1J154J	CHIP R 150K J 1/16W	R574		RK73HB1J223J	CHIP R 22K J 1/16W		
R515		RK73HB1J564J	CHIP R 560K J 1/16W	R575		RK73HB1J000J	CHIP R 0.0 J 1/16W		
R515		RK73HB1J684J	CHIP R 680K J 1/16W	R576		RK73HB1J104J	CHIP R 100 J 1/16W		
R516		RK73GB2A472J	CHIP R 4.7K J 1/10W	R577		RK73HB1J104J	CHIP R 100 J 1/16W		
R518		RK73HB1J000J	CHIP R 0.0 J 1/16W	R578		RK73FB2B000J	CHIP R 0.0 J 1/8W		
R520		RK73HB1J332J	CHIP R 3.3K J 1/16W	R579		RK73GB2A000J	CHIP R 0.0 J 1/10W		
R521		RK73HB1J222J	CHIP R 2.2K J 1/16W	R580		RK73HB1J104J	CHIP R 100 J 1/16W		
R523		RK73HB1J000J	CHIP R 0.0 J 1/16W	R581		RK73GB2A000J	CHIP R 0.0 J 1/10W		
R524		RK73HB1J103J	CHIP R 10K J 1/16W	R582		RK73HB1J471J	CHIP R 470 J 1/16W		
R525		RK73HB1J000J	CHIP R 0.0 J 1/16W	R583		RK73HB1J100J	CHIP R 10 J 1/16W		
R526		RK73HB1J474J	CHIP R 470K J 1/16W	R584		RK73HB1J471J	CHIP R 470 J 1/16W		
R527		RK73HB1J101J	CHIP R 100 J 1/16W	R586		RK73HB1J000J	CHIP R 0.0 J 1/16W	A,B,C,D,E,F,G,H,I	

A:TK-8360H K B:TK-8360H(U) K C:TK-8360H K2 D:TK-8360 M E:TK-8360H M
F:TK-8360 M2 G:TK-8360H M2 H:TK-8360 X I:TK-8360 E J:TK-8360 C6

TK-8360/8360H/8360H(U)

PARTS LIST

TX-RX UNIT (XC1-168X-XX)

Ref. No.	Address	Parts No.	Description	Destination	Ref. No.	Address	Parts No.	Description	Destination
R700		RK73HB1J223J	CHIP R 22K J 1/16W		R789		RK73HB1J563J	CHIP R 56K J 1/16W	
R701		RK73HB1J103J	CHIP R 10K J 1/16W		R790		RK73HB1J000J	CHIP R 0.0 J 1/16W	
R703		RK73HB1J000J	CHIP R 0.0 J 1/16W		R791		RK73HB1J223J	CHIP R 22K J 1/16W	
R707		RK73HB1J102J	CHIP R 1.0K J 1/16W		R792		RK73HB1J561J	CHIP R 560 J 1/16W	
					R793		RK73HB1J103J	CHIP R 10K J 1/16W	
R708		RK73HB1J101J	CHIP R 100 J 1/16W		R794		RK73HB1J102J	CHIP R 1.0K J 1/16W	
R709		RK73HB1J102J	CHIP R 1.0K J 1/16W		R795		RK73HB1J102J	CHIP R 1.0K J 1/16W	
R710		RK73HB1J000J	CHIP R 0.0 J 1/16W		R799		RK73HB1J273J	CHIP R 27K J 1/16W	
R711		RK73HB1J000J	CHIP R 0.0 J 1/16W		R801		RK73HB1J562J	CHIP R 5.6K J 1/16W	
R713		RK73HB1J000J	CHIP R 0.0 J 1/16W		R802		RK73HB1J000J	CHIP R 0.0 J 1/16W	
					R803		RK73HB1J563J	CHIP R 56K J 1/16W	
R718		RK73HB1J000J	CHIP R 0.0 J 1/16W		R804		RK73HB1J000J	CHIP R 0.0 J 1/16W	
R721		RK73HB1J000J	CHIP R 0.0 J 1/16W		R805		RK73HB1J000J	CHIP R 0.0 J 1/16W	
R722		RK73HB1J000J	CHIP R 0.0 J 1/16W		R806		RK73HB1J104J	CHIP R 100 J 1/16W	
R723		RK73HB1J000J	CHIP R 0.0 J 1/16W		R807		RK73HB1J104J	CHIP R 100 J 1/16W	
R724		RK73GB2A000J	CHIP R 0.0 J 1/10W						
					R809		RK73HB1J000J	CHIP R 0.0 J 1/16W	
R725		RK73HB1J000J	CHIP R 0.0 J 1/16W		R810		RK73HB1J000J	CHIP R 0.0 J 1/16W	
R726		RK73GB2A000J	CHIP R 0.0 J 1/10W		R811		RK73HB1J104J	CHIP R 100 J 1/16W	
R728		RK73HB1J472J	CHIP R 4.7K J 1/16W		R813		RK73HB1J104J	CHIP R 100 J 1/16W	
R730		RK73HB1J681J	CHIP R 680 J 1/16W		R814		RK73HB1J101J	CHIP R 100 J 1/16W	
R733		RK73GB2A000J	CHIP R 0.0 J 1/10W						
					R815		RK73GB2A000J	CHIP R 0.0 J 1/10W	
R734		RK73HB1J102J	CHIP R 1.0K J 1/16W		R816		RK73HB1J104J	CHIP R 100 J 1/16W	
R735		RK73GB2A473J	CHIP R 47K J 1/10W		R817		RK73GB2A104J	CHIP R 100K J 1/10W	
R736		RK73HB1J821J	CHIP R 820 J 1/16W		R818		RK73HB1J104J	CHIP R 100 J 1/16W	
R737		RK73HB1J000J	CHIP R 0.0 J 1/16W		R819		RK73HB1J101J	CHIP R 100 J 1/16W	
R738		RK73GB2A221J	CHIP R 220 J 1/10W						
					R820		RK73HB1J000J	CHIP R 0.0 J 1/16W	
R739		RK73HB1J223J	CHIP R 22K J 1/16W		R823		RK73HB1J124J	CHIP R 120K J 1/16W	
R741		RK73HB1J223J	CHIP R 22K J 1/16W		R824		RK73HB1J000J	CHIP R 0.0 J 1/16W	
R742		RK73HB1J823J	CHIP R 82K J 1/16W		R825		RK73HB1J104J	CHIP R 100 J 1/16W	
R743		RK73HB1J561J	CHIP R 560 J 1/16W		R826		RK73HB1J101J	CHIP R 100 J 1/16W	
R744		RK73HB1J102J	CHIP R 1.0K J 1/16W						
					R827		RK73HB1J104J	CHIP R 100 J 1/16W	
R745		RK73HB1J000J	CHIP R 0.0 J 1/16W		R829		RK73HB1J101J	CHIP R 100 J 1/16W	
R746		RK73HB1J000J	CHIP R 0.0 J 1/16W		R830		RK73GB2A100J	CHIP R 10 J 1/10W	
R747		RK73HB1J101J	CHIP R 100 J 1/16W		R831		RK73HB1J473J	CHIP R 47K J 1/16W	
R748		RK73HB1J123J	CHIP R 12K J 1/16W		R832		RK73HB1J472J	CHIP R 4.7K J 1/16W	
R749		RK73HB1J000J	CHIP R 0.0 J 1/16W						
					R840		RK73HB1J473J	CHIP R 47K J 1/16W	
R750		RK73HB1J105J	CHIP R 1.0M J 1/16W		R841		RK73HB1J000J	CHIP R 0.0 J 1/16W	
R751		RK73HB1J000J	CHIP R 0.0 J 1/16W		R842		RK73HB1J103J	CHIP R 10K J 1/16W	
R754		RK73HB1J123J	CHIP R 12K J 1/16W		R843		RK73HB1J393J	CHIP R 39K J 1/16W	
R755		RK73HB1J154J	CHIP R 150K J 1/16W		R845		RK73GB2A000J	CHIP R 0.0 J 1/10W	
R756		RK73HB1J103J	CHIP R 10K J 1/16W						
					R846		RK73HB1J123J	CHIP R 12K J 1/16W	A,B,D,E,H,J
R757		RK73HB1J222J	CHIP R 2.2K J 1/16W		R846		RK73HB1J562J	CHIP R 5.6K J 1/16W	C,F,G,I
R760		RK73GB2A000J	CHIP R 0.0 J 1/10W		R849		RK73HB1J682J	CHIP R 6.8K J 1/16W	
R761		RK73GB2A000J	CHIP R 0.0 J 1/10W		R850		RK73HB1J102J	CHIP R 1.0K J 1/16W	
R762		RK73HB1J334J	CHIP R 330K J 1/16W		R851		RK73HB1J223J	CHIP R 22K J 1/16W	
R763		RK73HB1J154J	CHIP R 150K J 1/16W						
					R852		RK73HB1J473J	CHIP R 47K J 1/16W	
R765		RK73HB1J103J	CHIP R 10K J 1/16W		R853		RK73HB1J332J	CHIP R 3.3K J 1/16W	
R769		RK73HB1J000J	CHIP R 0.0 J 1/16W		R854		RK73HB1J473J	CHIP R 47K J 1/16W	
R772		RK73GB2A000J	CHIP R 0.0 J 1/10W		R855		RK73HB1J473J	CHIP R 47K J 1/16W	
R773		RK73HB1J000J	CHIP R 0.0 J 1/16W		R856		RK73HB1J222J	CHIP R 2.2K J 1/16W	
R774		RK73HB1J561J	CHIP R 560 J 1/16W						
					R857		RK73HB1J104J	CHIP R 100 J 1/16W	
R775		RK73HB1J000J	CHIP R 0.0 J 1/16W		R858		RK73HB1J104J	CHIP R 100 J 1/16W	
R776		RK73GB2A124J	CHIP R 120K J 1/10W		R859		RK73HB1J105J	CHIP R 1.0M J 1/16W	
R779		RK73HH1J473D	CHIP R 47K D 1/16W		R860		RK73GB2A102J	CHIP R 1.0K J 1/10W	
R780		RK73HH1J473D	CHIP R 47K D 1/16W		R861		RK73HB1J153J	CHIP R 15K J 1/16W	
R781		RK73HB1J183J	CHIP R 18K J 1/16W						
					R863		RK73GB2A472J	CHIP R 4.7K J 1/10W	
R782		RK73HB1J104J	CHIP R 100 J 1/16W		R864		RK73HB1J123J	CHIP R 12K J 1/16W	
R785		RK73HB1J000J	CHIP R 0.0 J 1/16W		R866		RK73HB1J102J	CHIP R 1.0K J 1/16W	
R786		RK73HB1J473J	CHIP R 47K J 1/16W		R867		RK73HB1J102J	CHIP R 1.0K J 1/16W	
R787		RK73HB1J333J	CHIP R 33K J 1/16W		R868		RK73HB1J000J	CHIP R 0.0 J 1/16W	
R788		RK73HB1J000J	CHIP R 0.0 J 1/16W						

TK-8360/8360H/8360H(U)

PARTS LIST

TX-RX UNIT (XC1-168X-XX)

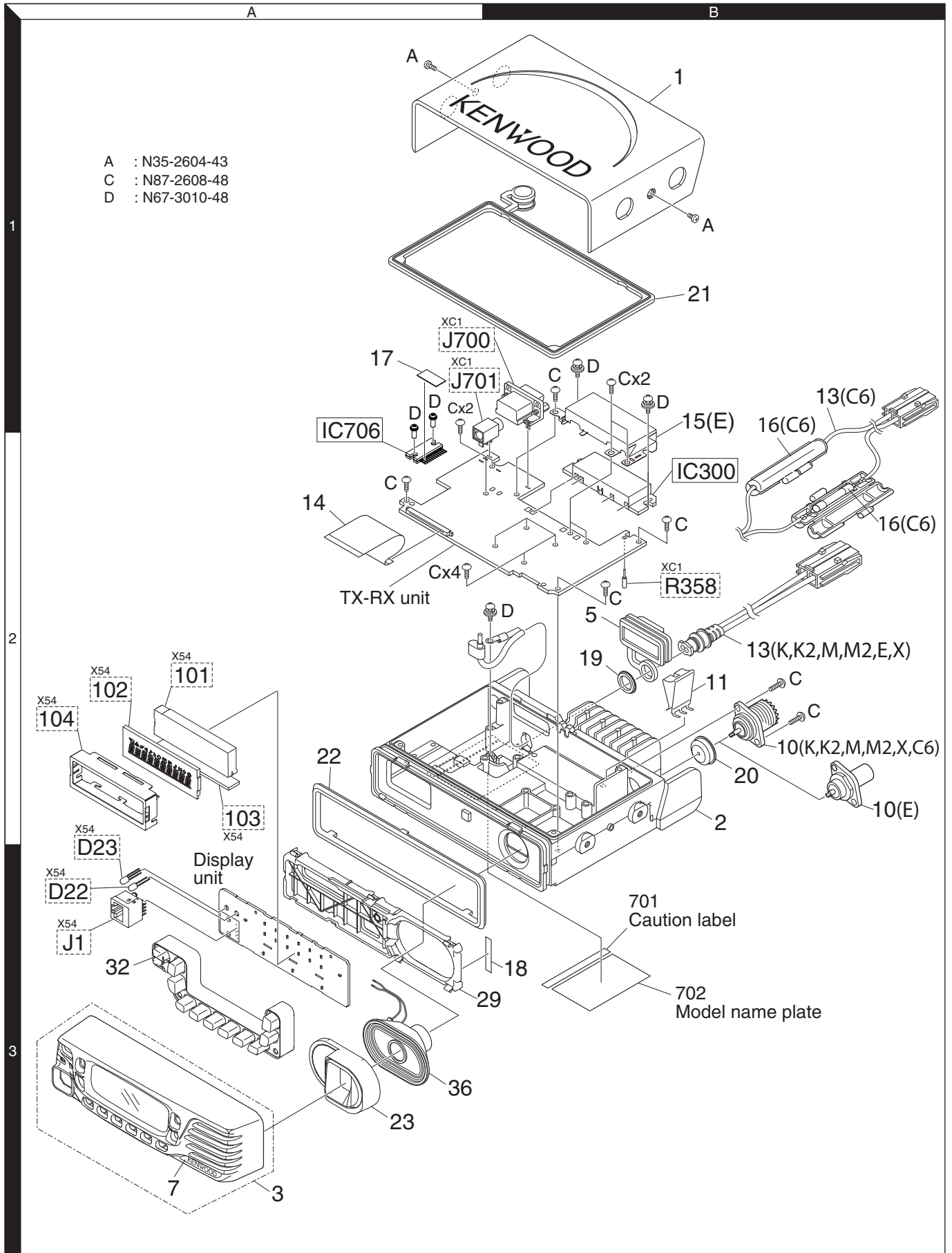
Ref. No.	Address	Parts No.	Description	Desti- nation	Ref. No.	Address	Parts No.	Description	Desti- nation
R869		RK73GH2A134D	CHIP R 130K D 1/10W	I,J	R940		RK73FB2B000J	CHIP R 0.0 J 1/8W	A,B,C,D,E,F,G,H
R870		RK73GH2A183D	CHIP R 18K D 1/10W		R941		RK73FB2B000J	CHIP R 0.0 J 1/8W	
R871		RK73GB2A000J	CHIP R 0.0 J 1/10W		R942		RK73FB2B000J	CHIP R 0.0 J 1/8W	
R872		RK73HB1J102J	CHIP R 1.0K J 1/16W		R943		RK73HB1J104J	CHIP R 100 J 1/16W	
R873		RK73HB1J102J	CHIP R 1.0K J 1/16W		R944		RK73HB1J473J	CHIP R 47K J 1/16W	
R874		RK73HB1J102J	CHIP R 1.0K J 1/16W		R945		RK73HB1J103J	CHIP R 10K J 1/16W	
R875		RK73GB2A000J	CHIP R 0.0 J 1/10W		R947		RK73HB1J103J	CHIP R 10K J 1/16W	
R876		RK73HB1J102J	CHIP R 1.0K J 1/16W		R948		RK73HB1J684J	CHIP R 680K J 1/16W	
R877		RK73HB1J102J	CHIP R 1.0K J 1/16W		R949		RK73HB1J394J	CHIP R 390K J 1/16W	
R878		RK73HB1J102J	CHIP R 1.0K J 1/16W		R950		RK73HB1J105J	CHIP R 1.0M J 1/16W	
R879		RK73HB1J000J	CHIP R 0.0 J 1/16W		R951		RK73HB1J332J	CHIP R 3.3K J 1/16W	
R880		RK73HB1J154J	CHIP R 150K J 1/16W		R952		RK73HB1J101J	CHIP R 100 J 1/16W	
R881		RK73HB1J000J	CHIP R 0.0 J 1/16W		R953		RK73HB1J103J	CHIP R 10K J 1/16W	
R883		RK73HB1J000J	CHIP R 0.0 J 1/16W		R954		RK73HB1J332J	CHIP R 3.3K J 1/16W	
R885		RK73HB1J102J	CHIP R 1.0K J 1/16W		R955		RK73HB1J472J	CHIP R 4.7K J 1/16W	
R886		RK73HB1J000J	CHIP R 0.0 J 1/16W		R956		RK73HB1J223J	CHIP R 22K J 1/16W	
R887		RK73HB1J102J	CHIP R 1.0K J 1/16W		R957		RK73HB1J223J	CHIP R 22K J 1/16W	
R888		RK73HB1J000J	CHIP R 0.0 J 1/16W		R960		RK73HB1J000J	CHIP R 0.0 J 1/16W	
R889		RK73HB1J102J	CHIP R 1.0K J 1/16W		R962		RK73HB1J823J	CHIP R 82K J 1/16W	
R893		RK73HB1J000J	CHIP R 0.0 J 1/16W		R963		RK73HB1J000J	CHIP R 0.0 J 1/16W	
R894		RK73HB1J000J	CHIP R 0.0 J 1/16W		R965		RK73HB1J000J	CHIP R 0.0 J 1/16W	
R895		RK73HB1J102J	CHIP R 1.0K J 1/16W		R966		RK73FB2B102J	CHIP R 1K J 1/8W	
R896		RK73HB1J000J	CHIP R 0.0 J 1/16W		R967		RK73HB1J473J	CHIP R 47K J 1/16W	
R897		RK73HB1J473J	CHIP R 47K J 1/16W		R968		RK73HB1J473J	CHIP R 47K J 1/16W	
R898		RK73HB1J473J	CHIP R 47K J 1/16W		R969		RK73HB1J473J	CHIP R 47K J 1/16W	
R899		RK73HB1J000J	CHIP R 0.0 J 1/16W		R970		RK73HB1J682J	CHIP R 6.8K J 1/16W	
R900		RK73HB1J000J	CHIP R 0.0 J 1/16W		TH300		B57331V2104J	THERMISTOR	
R901		RK73HB1J000J	CHIP R 0.0 J 1/16W		TH301		B57331V2104J	THERMISTOR	
R902		RK73HB1J000J	CHIP R 0.0 J 1/16W		TH302		B57331V2104J	THERMISTOR	
R905		RK73GB2A000J	CHIP R 0.0 J 1/10W		TH501		NCP18WD683JOS	THERMISTOR	
R906		RK73HB1J473J	CHIP R 47K J 1/16W		TH501		NCP18WB473JOS	THERMISTOR	
R907		RK73HB1J473J	CHIP R 47K J 1/16W		X1		L77-3055-05	TCXO(19.2MHZ)	
R908		RK73HB1J472J	CHIP R 4.7K J 1/16W		X700		L77-1950-05	CRYSTAL RESONATOR (11.0592MHZ)	
R909		RK73HB1J472J	CHIP R 4.7K J 1/16W		XF500		L71-0659-05	MCF (38.85MHZ)	
R910		RK73HB1J471J	CHIP R 470 J 1/16W						
R911		RK73HB1J152J	CHIP R 1.5K J 1/16W						
R912		RK73GB2A102J	CHIP R 1.0K J 1/10W						
R913		RK73HB1J473J	CHIP R 47K J 1/16W						
R914		RK73HB1J000J	CHIP R 0.0 J 1/16W						
R915		RK73HB1J000J	CHIP R 0.0 J 1/16W						
R916		RK73HB1J000J	CHIP R 0.0 J 1/16W						
R917		RK73HB1J000J	CHIP R 0.0 J 1/16W						
R918		RK73HB1J223J	CHIP R 22K J 1/16W						
R919		RK73HB1J473J	CHIP R 47K J 1/16W						
R920		RK73HB1J472J	CHIP R 4.7K J 1/16W						
R921		RK73HB1J473J	CHIP R 47K J 1/16W						
R923		RK73HB1J472J	CHIP R 4.7K J 1/16W						
R924		RK73HB1J473J	CHIP R 47K J 1/16W						
R925		RK73HB1J473J	CHIP R 47K J 1/16W						
R927		RK73HB1J473J	CHIP R 47K J 1/16W						
R928		RK73HB1J473J	CHIP R 47K J 1/16W						
R929		RK73HB1J472J	CHIP R 4.7K J 1/16W						
R930		RK73HB1J472J	CHIP R 4.7K J 1/16W						
R931		RK73HB1J224J	CHIP R 220K J 1/16W						
R932		RK73HB1J224J	CHIP R 220K J 1/16W						
R933		RK73HB1J823J	CHIP R 82K J 1/16W						
R934		RK73HB1J823J	CHIP R 82K J 1/16W						
R935		RK73HB1J222J	CHIP R 2.2K J 1/16W						
R936		RK73HB1J222J	CHIP R 2.2K J 1/16W						
R938		RK73HB1J391J	CHIP R 390 J 1/16W						

A:TK-8360H K B:TK-8360H(U) K C:TK-8360H K2 D:TK-8360 M E:TK-8360H M
F:TK-8360 M2 G:TK-8360H M2 H:TK-8360 X I:TK-8360 E J:TK-8360 C6

MEMO

TK-7360/7360H/7360H(V), TK-8360/8360H/8360H(U)

EXPLODED VIEW



Parts with the exploded numbers larger than 700 are not supplied.

If a part reference number is listed in a box on the exploded view of the PCB, that part does not come with the PCB.

These parts must be ordered separately.



KENWOOD

JVC KENWOOD Corporation
Communications Systems Division

(No.RQ184<Rev.001>)

Printed in Japan

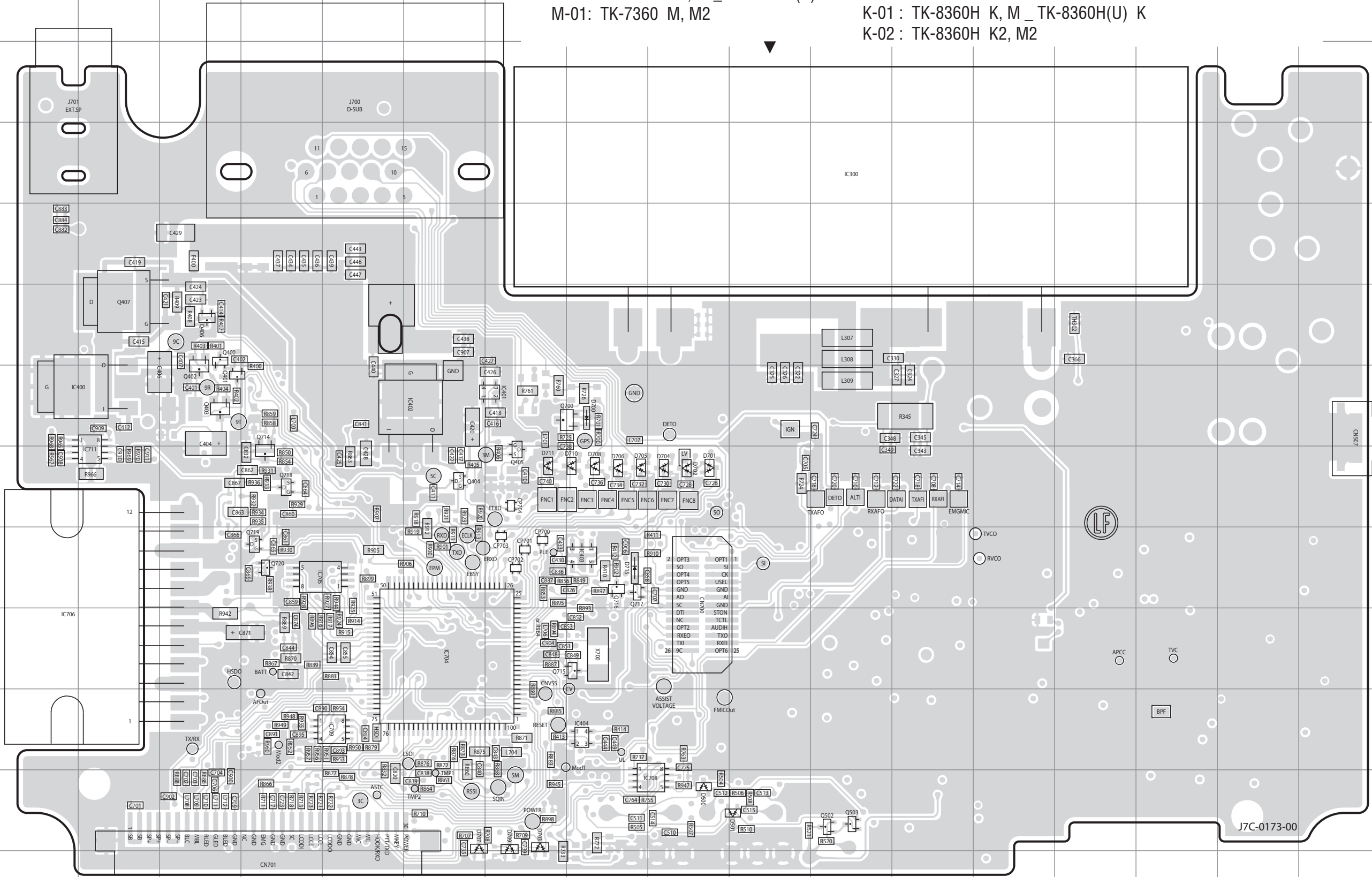
TK-7360 / 7360H / 7360H(V) TK-8360 / 8360H / 8360H(U) PC BOARD

TX-RX UNIT (XC1-168X-XX)

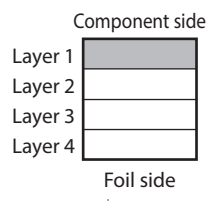
E-01 : TK-7360 E
 K-00 : TK-7360H K, M _TK-7360H(V) K
 M-01 : TK-7360 M, M2

C-01 : TK-8360 C6
 E-02 : TK-8360 E
 K-01 : TK-8360H K, M _TK-8360H(U) K
 K-02 : TK-8360H K2, M2

M-02 : TK-8360 M, X
 M-03 : TK-8360 M2



Ref. No.	Address
IC300	4K
IC400	7B
IC401	7G
IC402	7F
IC403	9H
IC404	11H
IC704	10F
IC705	9D
IC706	9B
IC708	12I
IC709	11E
IC711	8B
Q400	6C
Q401	7C
Q402	7C
Q403	7C
Q404	8F
Q405	8G
Q406	6C
Q407	6B
Q502	12K
Q503	12K
Q700	7H
Q714	8D
Q715	10H
Q716	9H
Q717	9H
Q718	8D
Q719	9D
Q720	9D
D500	12I
D501	12J
D700	7H
D701	8I
D702	8I
D703	12G
D704	8I
D705	8H
D706	8H
D707	12F
D708	8H
D709	12G
D710	8H
D711	8G
D715	9H



Component side view (J7C-0173-00)

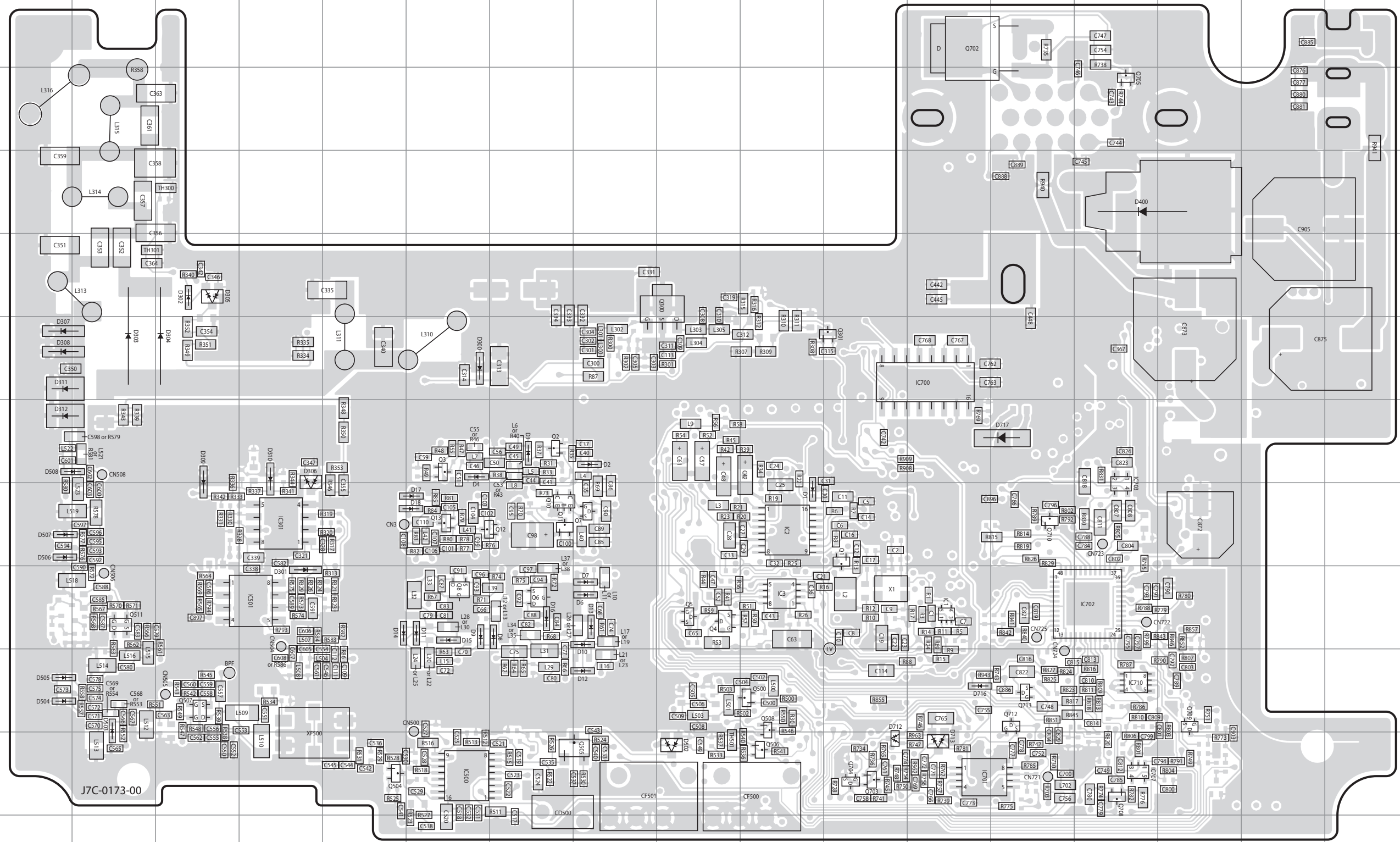
TK-7360 / 7360H / 7360H(V) TK-8360 / 8360H / 8360H(U) PC BOARD

TX-RX UNIT (XC1-168X-XX)

E-01 : TK-7360 E
 K-00 : TK-7360H K, M _ TK-7360H(V) K
 M-01: TK-7360 M, M2

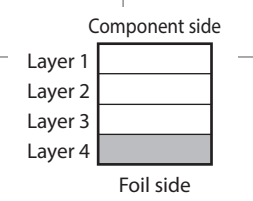
C-01 : TK-8360 C6
 E-02 : TK-8360 E
 K-01 : TK-8360H K, M _ TK-8360H(U) K
 K-02 : TK-8360H K2, M2

M-02 : TK-8360 M, X
 M-03 : TK-8360 M2



Ref. No.	Address	Ref. No.	Address
IC1	10L	Q713	11M
IC2	9J	D1	9J
IC3	10J	D2	8H
IC301	9D	D4	8F
IC500	12F	D6	10H
IC501	10D	D7	10H
IC700	7L	D8	10G
IC701	12L	D9	10F
IC702	10N	D10	10H
IC703	9N	D11	10F
IC707	12N	D12	11H
IC710	11N	D13	10H
Q1	9K	D14	10E
Q2	8G	D15	10F
Q3	8F	D16	10G
Q4	10I	D17	9F
Q5	10I	D18	9F
Q6	10G	D300	7F
Q7	9H	D301	10D
Q8	10F	D302	6C
Q10	9G	D303	7B
Q11	9G	D304	7C
Q12	9G	D305	6C
Q13	9F	D306	8D
Q300	6I	D307	7A
Q301	7K	D308	7A
Q500	11J	D309	8C
Q504	12E	D310	8D
Q505	12H	D311	7A
Q506	12J	D400	5N
Q507	11C	D502	12I
Q508	11J	D503	11B
Q511	10B	D504	11A
Q702	3L	D505	11A
Q703	12K	D506	9A
Q704	12K	D507	9A
Q705	4N	D508	8A
Q708	12N	D712	11K
Q709	11O	D713	12L
Q710	9M	D716	11L
Q712	12M	D717	8M

Foil side view (J7C-0173-00)



TX-RX UNIT(XC1-168X-XX): (K-00)TK-7360H, (K-00)TK-7360H(V), (M-01,E-01)TK-7360,
(M-02,M-03,E-02,C-01)TK-8360, (K-01)TK8360H(U), (K-01,K-02)TK-8360H

