

TK-805D

SERVICE MANUAL

KENWOOD

© 1991-3 PRINTED IN JAPAN
B51-8108-00 (O) 1139

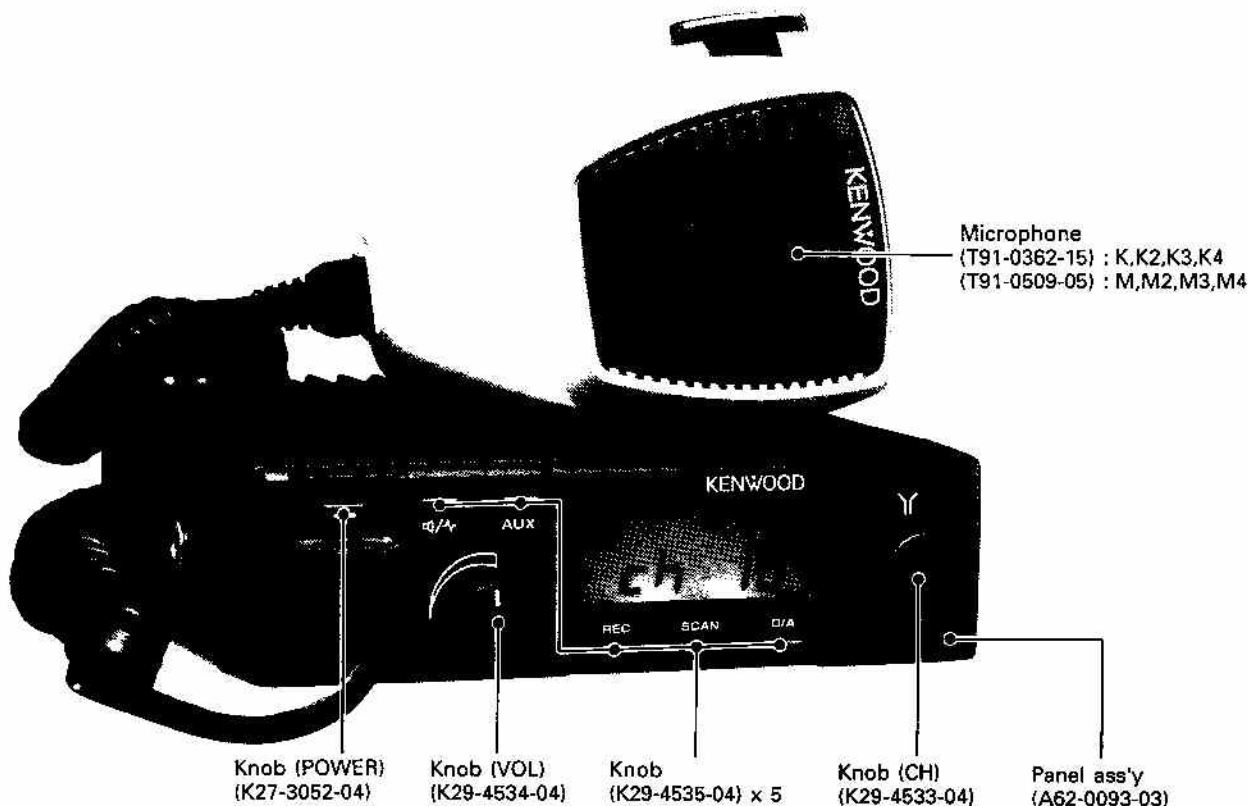


Photo is K,K2,K3,K4 type.

CONTENTS

GENERAL	2	PACKING	47
SYSTEM SET-UP	4	ADJUSTMENT	48
INSTALLATION	5	TERMINAL FUNCTIONS	52
MODIFICATION	6	CIRCUIT DIAGRAMS/PC BOARD VIEWS	
REALIGNMENT	7	PLL (X58-3700-XX)	53
DISASSEMBLY FOR REPAIR	21	APC (X59-3130-00)	55
LEVEL DIAGRAM	22	HPF (X59-3740-11)	55
BLOCK DIAGRAM	23	TX-RX UNIT (X57-3850-XX)	56
CIRCUIT DESCRIPTION	25	SCHEMATIC DIAGRAM	59
SEMICONDUCTOR DATA	30	KVP-1 (DIGITAL RECORDING UNIT)	63
DESCRIPTION OF COMPONENTS	32	KPG-4 (PROGRAMMING INTERFACE)	69
PARTS LIST	33	SPECIFICATIONS	BACK COVER
EXPLODED VIEW	46		

GENERAL

INTRODUCTION

SCOPE OF THIS MANUAL

This manual is intended for use by experienced technicians familiar with similar types of commercial grade communications equipment. It contains all required service information for the equipment and is current as of the publication date. Changes which may occur after publication are covered by either Service Bulletins or Manual Revisions. These are issued as required.

ORDERING REPLACEMENT PARTS

When ordering replacement parts or equipment information, the full part identification number should be included. This applies to all parts: components, kits, or chassis. If the part number is not known, include the chassis or kit number of which it is a part, and a sufficient description of the required component for proper identification.

PERSONNEL SAFETY

The following precautions are recommended for personnel safety:

- DO NOT transmit if someone is within two feet (0.6 meter) of the antenna.
- DO NOT transmit until all RF connectors are verified secure and any open connectors are properly terminated.
- SHUT OFF and DO NOT operate this equipment near electrical blasting caps or in an explosive atmosphere.
- All equipment should be properly grounded before power-up for safe operation.
- This equipment should be serviced by a qualified technician only.




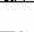
FCC COMPLIANCE AND TYPE ACCEPTANCE NUMBERS

Type acceptance number	Frequency range	Compliance
ALHTK-805D-1	450~470MHz	Parts 22, 74, 90 and 95
ALHTK-805D-2	470~490MHz	Parts 22, 74 and 90
ALHTK-805D-3	490~512MHz	Parts 22, 74 and 90
ALHTK-805D-4	406~430MHz	Parts 22, 74 and 90



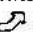

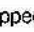
1. POWER-UP

To turn on the radio, press the power switch (IO). The channel indicator will illuminate to indicate power is ON.

2. TO RECEIVE

Operation	Procedure
1. Disable QT, DQT (if so equipped)	Remove microphone from its hanger.
2. Unsquench radio	Press the MONITOR switch ( / ). Keep the key down for 2 seconds.
3. Set VOLUME control	Adjust VOLUME control for a normal listening level.
4. Set SQUELCH control	Press the MONITOR switch ( / ) again.
5. Select operating frequency. (Multichannel models only)	Rotate CH selector switch to desired channel.
The radio will now receive all traffic on the selected channel.	
6. Enable QT, DQT (if so equipped)	Insert microphone back into its hanger.
You will now hear messages for your system only.	

3. TO TRANSMIT

Operation	Procedure
1. Disable QT, DQT (if so equipped)	Press the MONITOR switch ( / ) or remove microphone from hanger.
2. Select operating frequency. (Multichannel models only)	
3. LISTEN	DO NOT TRANSMIT if channel is in use.
4. Key transmitter	Press and hold the microphone PTT switch. The LCD on the front panel will indicating the transmitter is ON ().
5. Transmit message	Hold microphone at about 2 inches distance and speak at a normal voice level. Keep transmissions brief.
6. Receive reply	Release the microphone PTT switch.
7. Enable QT, DQT at end of the conversation. (if so equipped)	Press the MONITOR switch ( / ) and replace the microphone into its hanger.

GENERAL

PRE-INSTALLATION CONSIDERATIONS

1. UNPACKING

Unpack the radio from its shipping container and check for accessory items. If any item is missing, please contact KENWOOD immediately.

2. LICENSING REQUIREMENTS

Federal regulations require a station license for each radio installation (mobile or base) be obtained by the equipment owner. The licensee is responsible for ensuring transmitter power, frequency, and deviation are within the limits permitted by the station license.

Transmitter adjustments may be performed only by a licensed technician holding an FCC first, second or general class commercial radiotelephone operator's license. There is no license required to install or operate the radio.

3. PRE-INSTALLATION CHECKOUT

3-1. Introduction

Each radio is adjusted and tested before shipment. However, it is recommended that receiver and transmitter operation be checked for proper operation before installation.

3-2. Testing

The radio should be tested complete with all cabling and accessories as they will be connected in the final installation. Transmitter frequency, deviation, and power output should be checked, as should receiver sensitivity, squelch operation, and audio output. QT equipment operation should be verified.

4. PLANNING THE INSTALLATION

4-1. General

Inspect the vehicle and determine how and where the radio antenna and accessories will be mounted.

Plan cable runs for protection against pinching or crushing wiring, and radio installation to prevent overheating.

4-2. Antenna

The favored location for an antenna is in the center of a large, flat conductive area, usually at the roof center. The trunk lid may also provide a good antenna location. If the trunk lid is preferred, bond the trunk lid and vehicle chassis using ground straps to ensure the lid is at chassis ground.

4-3. Radio

The universal mount bracket allows the radio to be mounted in a variety of ways. Be sure the mounting surface is adequate to support the radio's weight. Allow sufficient space around the radio for air cooling. Position the radio close enough to the vehicle operator to permit easy access to the controls when driving.

4-4. DC Power and wiring

1. This radio may be installed in negative ground electrical systems only. Reverse polarity will cause the cable fuse to blow. Check the vehicle ground polarity before installation to prevent wasted time and effort.
2. Connect the positive power lead directly to the vehicle battery positive terminal. Connecting the Positive lead to any other positive voltage source in the vehicle is not recommended.

CAUTION:

If DC power is to be controlled by the vehicle ignition switch, a switching relay should be used to switch the positive power lead. The vehicle ignition switch then controls DC to the relay coil.

3. Connect the ground lead directly to the battery negative terminal.
4. The cable provided with the radio is sufficient to handle the maximum radio current demand. If the cable must be extended, be sure the additional wire is sufficient for the current to be carried and length of the added lead.

5. INSTALLATION PLANNING - CONTROL STATIONS

5-1. Antenna system

Control station. The antenna system selection depends on many factors and is beyond the scope of this manual. Your KENWOOD dealer can help you select an antenna system that will best serve your particular needs.

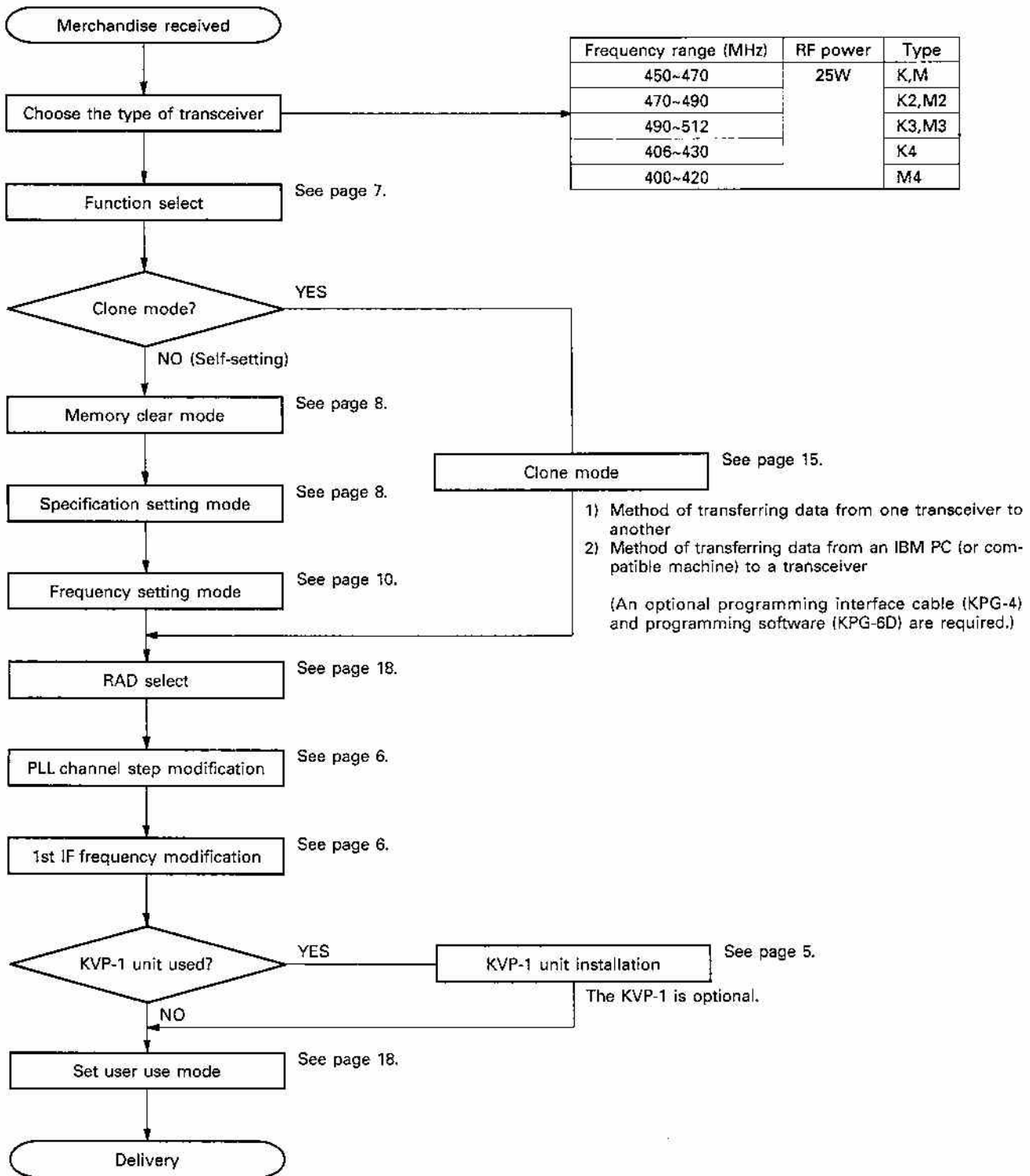
5-2. Radio location

Select a convenient location for your control station radio which is as close as practical to the antenna cable entry point. Secondly, use your system's power supply (which supplies the voltage and current required for your system). Make sure sufficient air can flow around the radio and power supply to allow adequate cooling.

SERVICE

This radio is designed for easy servicing. Refer to the schematic diagrams, printed circuit board views, and alignment procedures contained in this manual.

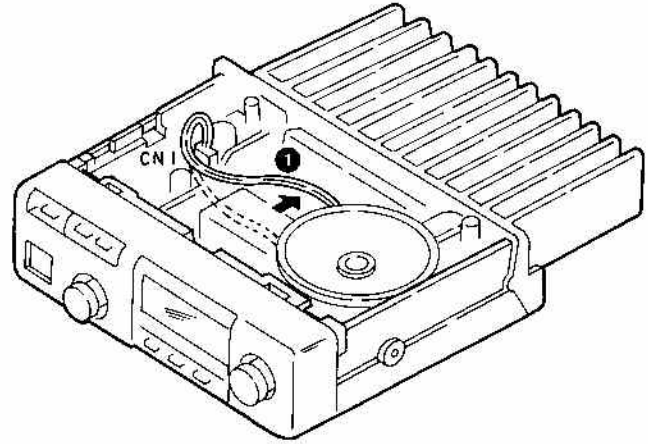
SYSTEM SET-UP



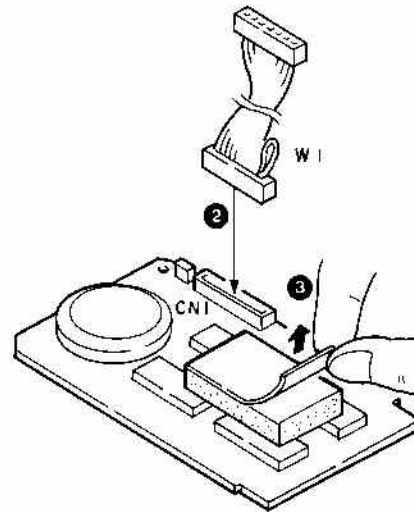
INSTALLATION

KVP-1 Unit Installation

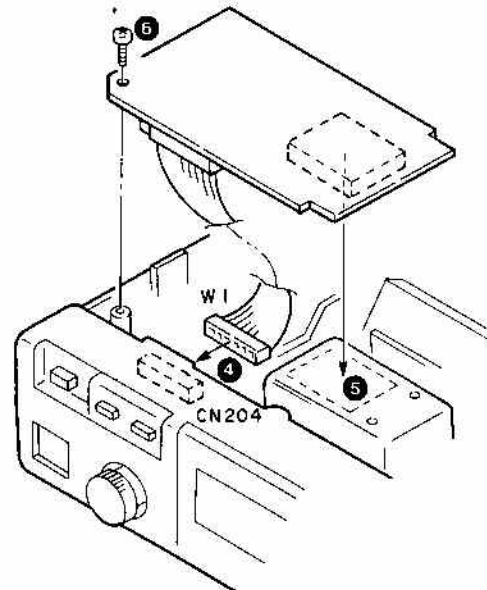
1. Remove the top cover of the radio.
2. Shift the connector with a lead going to the speaker toward the final module (1).



3. Insert the supplied W1 (E37-0151-05) connector (2) with lead into CN1 of the unit.
4. Remove the double-sided adhesive pad (3) from the unit.



5. Insert the W1 connector (4) with lead into CN204 of the radio.
6. Put the unit on the radio shield case (5) and secure it to the radio frame with a single screw (6).
7. Push the unit from above (7) until it touches the shield case.
8. Put the top cover of the radio back on.



MODIFICATION

PLL Channel Step Modification

The PLL channel step frequency can be changed to 5kHz (6.25kHz) or 10kHz (12.5kHz). (It can be changed in four steps.)

Switching between 5 and 6.25kHz or between 10 and 12.5kHz is done each time the SCAN key is pressed in the receive/transmit frequency setting mode. (see page 10.)

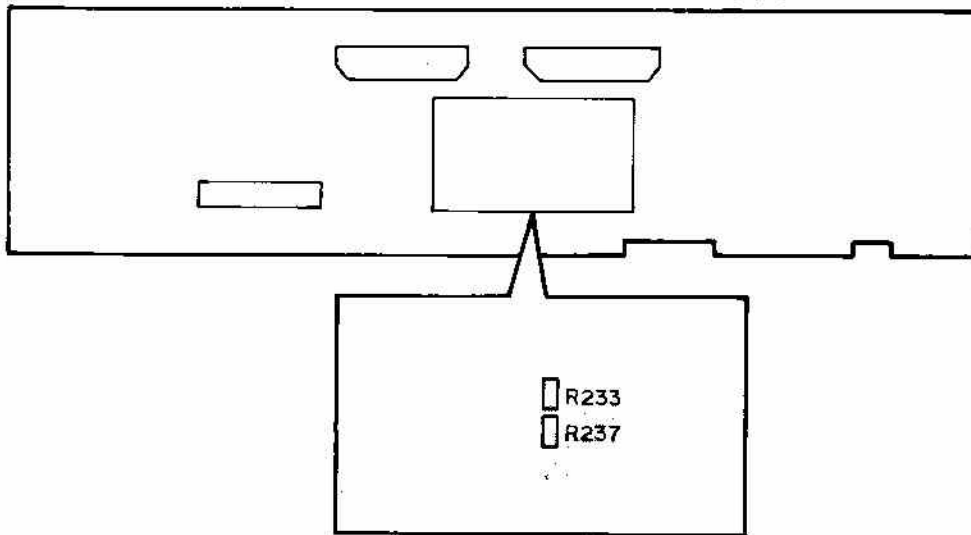
Switching between 5 (6.25) and 10 (12.5) kHz can be done by setting R233 (RK73FB2A473J: 47kΩ) and R237 (R92-0670-05: 0Ω) of the TX-RX unit (B/2).

	R233	R237
5KHz, 6.25KHz	X	○
10kHz, 12.5kHz	○	X

X: Removed, ○: Installed

(A chip is installed where R233 goes at the factory.)

TX-RX UNIT (B/2) Foil side view



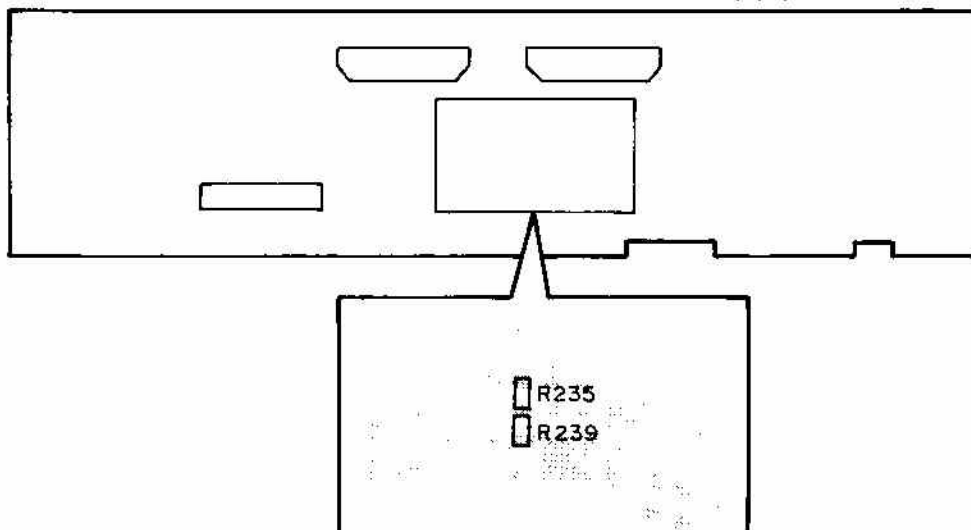
1st IF Frequency Modification

1st IF frequency is set by changing the chip resistors on the TX-RX unit (B/2).

IF	R235 (47kΩ)	R239 (0Ω)
30.3MHz	X	○
34.4MHz	○	X

X: Removed, ○: Installed

TX-RX UNIT (B/2) Foil side view



REALIGNMENT

Function Select

Function select has SET and USE. One of the modes 1 to 5 can be selected in either case.

Test data is stored in the EEPROM of the TK-805D at the factory. If new data (channel frequencies, signal-

ing, AUX, scan, etc.) needs to be written into the EEPROM, use the specification setting mode or frequency setting mode. Select another mode as required.

1. Modes

1) Setting

Function (CN8)		Modes	Setting
SET	USE		
<input type="radio"/>	-	EEPROM clear mode	Clear all EEPROM data and enter the specification setting mode.
<input type="radio"/>	-	Specification setting mode	Specify items: (*1)
<input type="radio"/>	-	Frequency setting mode	Set each channel frequency, signaling, AUX, and scan data.
<input type="radio"/>	<input type="radio"/>	Clone mode	Transfer data from the transceiver to another transceiver, or from an IBM PC to a transceiver. (*2)
<input type="radio"/>	<input type="radio"/>	User use mode	The user operates the transceiver. (*3)

: The mode can be entered. - : The mode cannot be entered.

*1 : The initial frequency (band to be used), time-out timer, busy channel lockout, D/A key operation on/off, microphone hook, and priority are set.

*2 : The data specified in the specification and frequency setting modes is transferred.

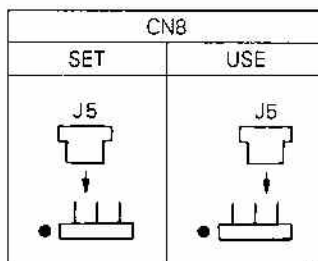
*3 : After items have been confirmed or set in each mode, set this mode for shipment.

2) After SET or USE has been set, each mode can be entered by the following operation.

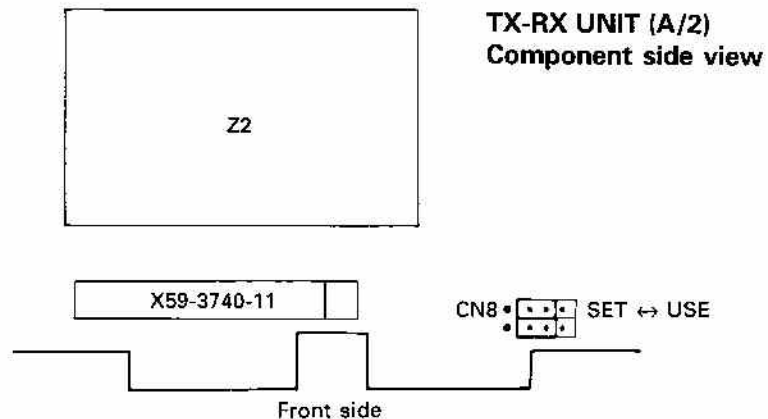
Mode	Operation
User use mode	Switch the power on without pressing a key.
Clone mode	Hold down the AUX and MONI keys, switch the power on, and keep the keys down for two seconds. A beep is heard. If the AUX key is released, data can be transferred from one transceiver to another. If the MONI key is released, data can be transferred from an IBM PC to a transceiver.
Specification setting mode	Hold down the AUX and SCAN keys, switch the power on, and keep the keys down for two seconds.
Frequency setting mode	Hold down the AUX and D/A keys, switch the power on, and keep the keys down for two seconds.
EEPROM clear mode	Hold down the AUX, D/A and SCAN keys, switch the power on, and keep the keys down for two seconds.

2. Setting function select SET and USE

To set the function to SET or USE, reconnect the shorting plug (J5) of connector CN8 on the TX-RX unit (A/2). (It is factory-set to SET.)



Note : Remove the plug (J5) from above.



REALIGNMENT

Memory Clear Mode

All the contents of the memory (EEPROM) are cleared in the memory clear mode.

- Confirm that the CN8 short connector is set to the SET side.
- Hold down the AUX, D/A, and SCAN keys, turn the POWER switch on, and keep the keys down for two seconds to clear all the contents of the EEPROM.
- After the EEPROM is cleared, the specification setting mode is entered.

Specification Setting Mode

1. In the specification setting mode, the initial frequency (the band to be used), time-out timer (TOT), busy channel lockout, D/A key on/off, microphone hooking, and priority are specified.
2. Each of these settings is selected by turning the encoder. When the PTT key is pressed, data is written into the EEPROM. To correct data, switch the power off and set new data again. (If data is corrected midway through entry, the setting before switching the power off remains in the EEPROM.)
3. All the items should be set in the specification setting mode until End is displayed.
4. To enter the specification setting mode, make sure that connector CN8 is set to the SET position (• mark). Hold down the AUX and SCAN keys, turn the POWER switch on, and keep the keys down for two seconds. Three beeps are heard and this mode is set.

1. Write method (See the flowchart.)

Each mode can be set in order while observing the LCD, as shown in the flowchart.

1) Initial frequency setting mode

In this mode, the initial band display changes as follows when the encoder is turned. Set the frequency to 450,000.

→150MHz↔250MHz↔350MHz↔450MHz←

When the PTT key is pressed, the TOT setting mode is entered.

2) TOT setting mode

When the encoder is turned, the TOT time setting changes as follows. Set the necessary time.

→ OFF ↔ 30sec ↔ 60sec ↔ 90sec ←
 ↳ 180sec ↔ 120sec ←

When the PTT key is pressed, the next busy channel lockout setting mode is entered.

3) Busy channel lockout setting mode

When the encoder is turned, the busy channel lockout function toggles on and off as follows. Set it on or off.

ON ↔ OFF

ON : Busy channel lockout function is available.

OFF : Busy channel lockout function is not available.

When the PTT key is pressed, the mode changes to the next D/A key operation on/off mode.

4) D/A key on/off setting mode

- The D/A key sets whether to receive the receive frequency written in the channel during scanning.
- The channel with a priority set can be set to the DELETE or ADD state, but the DELETE operation does not take place. (The priority channel operation is given precedence.)
- When the encoder is turned, the D/A key display changes as follows. Set the necessary function.

ON ↔ OFF

ON : User can change the setting.

OFF : User cannot change the setting.

When the PTT key is pressed, the next microphone hooking on/off setting mode is entered.

5) Microphone hooking on/off setting mode

• Function when ON is set

When the microphone is offhook, the monitor mode is set regardless of whether the MONI key is on or off. The monitor indicator \square on the LCD shows whether the MONI key is on or off; it does not indicate whether the microphone is onhook or offhook.

Transmission does not take place when the PTT key is pressed with the microphone onhook.

• Function when OFF is set

Transmission takes place whether the microphone is onhook or offhook.

When the encoder is turned, the microphone hooking display changes as follows. Set the necessary function.

ON ↔ OFF

When the PTT key is pressed, the next priority operation setting mode is entered.

REALIGNMENT

6) Priority operation setting mode

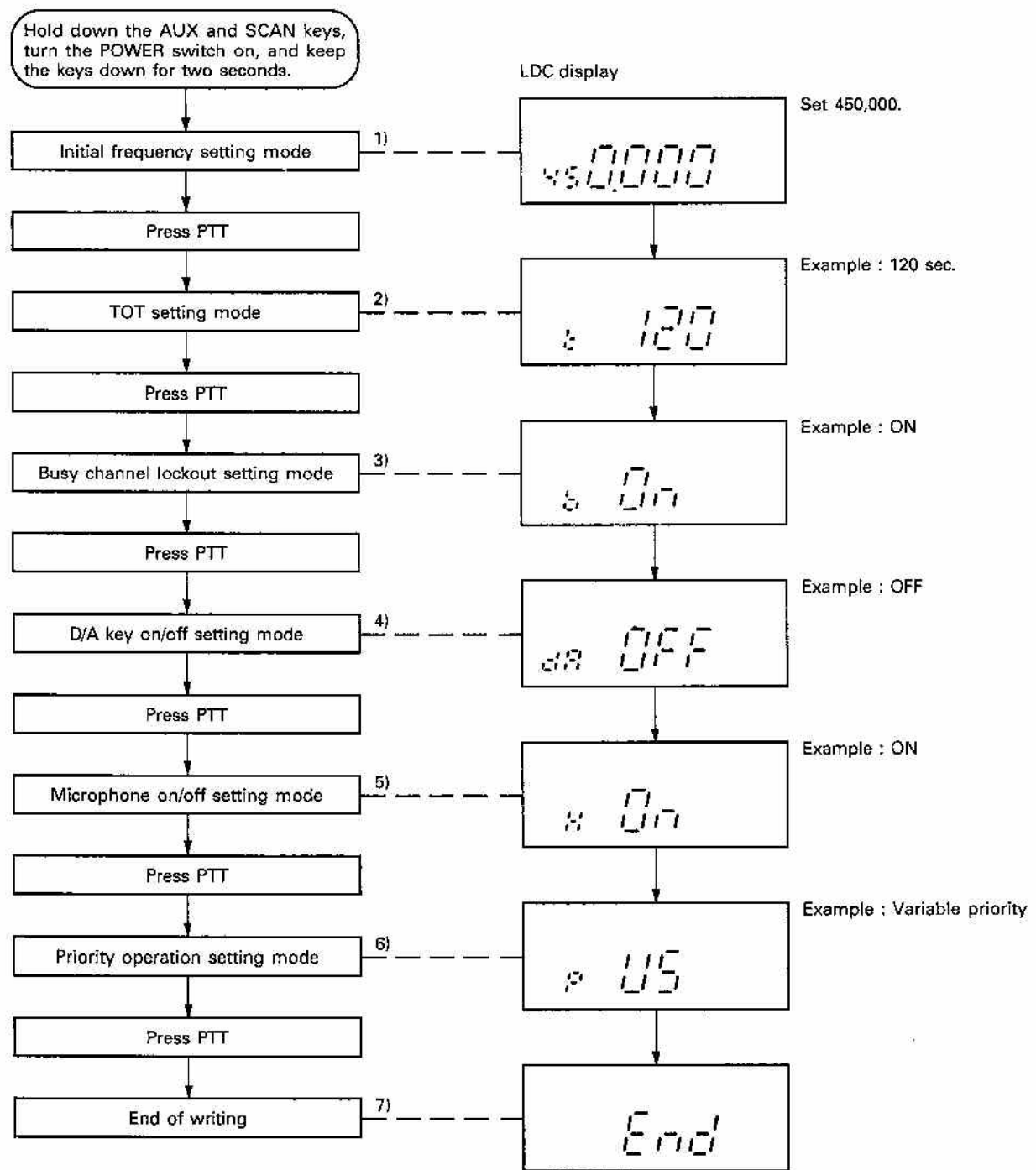
- There are two types of priority: fixed and variable. If the priority is fixed, a channel is determined in the frequency setting mode. (Only one channel can be specified.) If the priority is variable, the channel immediately before the SCAN switch is turned on becomes a priority channel.
- When the encoder is turned, the display changes as follows. Set the necessary function.

FI ↔ US

FI : Fixed priority
US : Variable priority

When the PTT key is pressed, End appears on the LCD, and the specification setting mode is terminated.

2. Flowchart of the specification setting mode



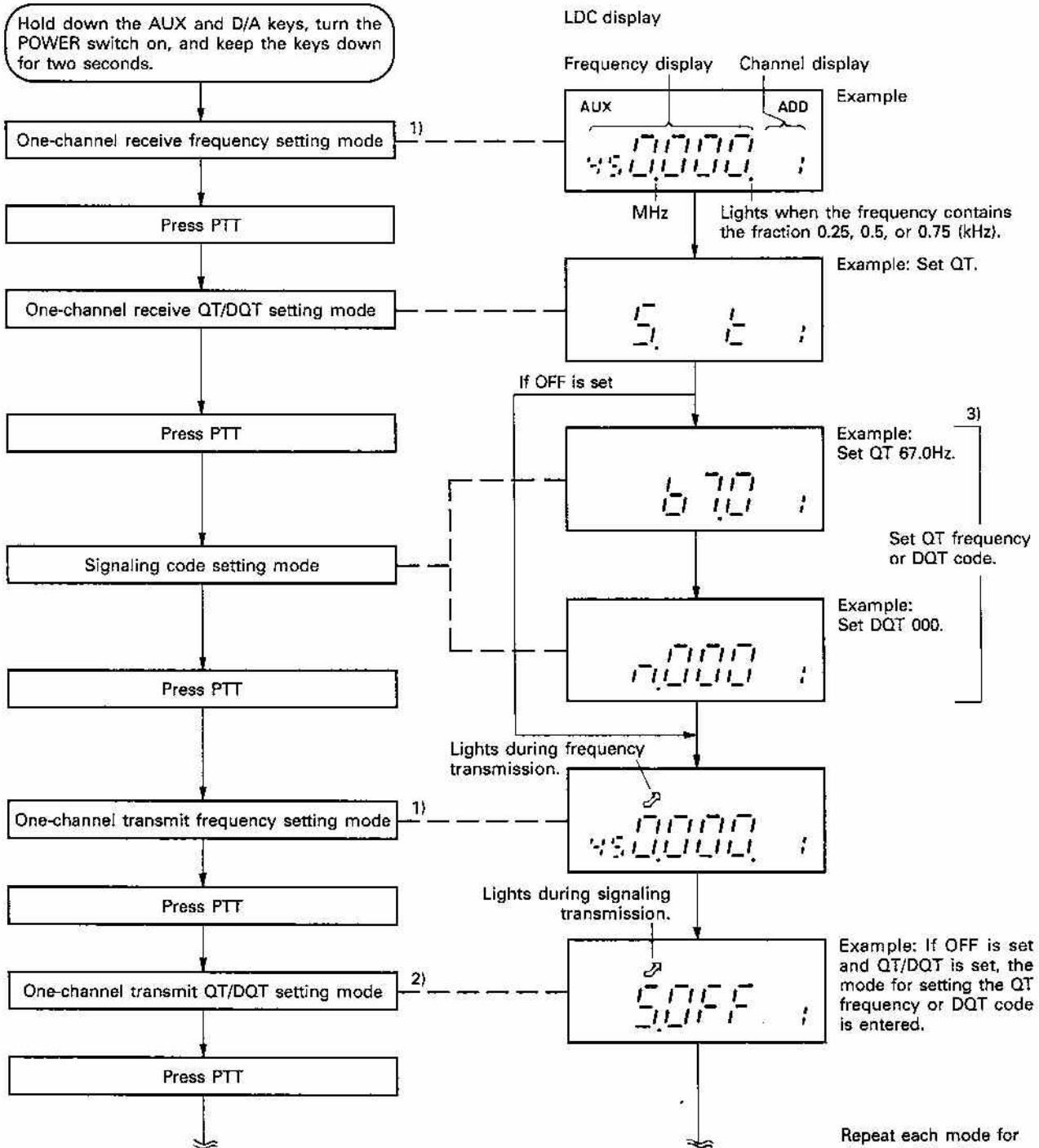
REALIGNMENT

Frequency Setting Mode

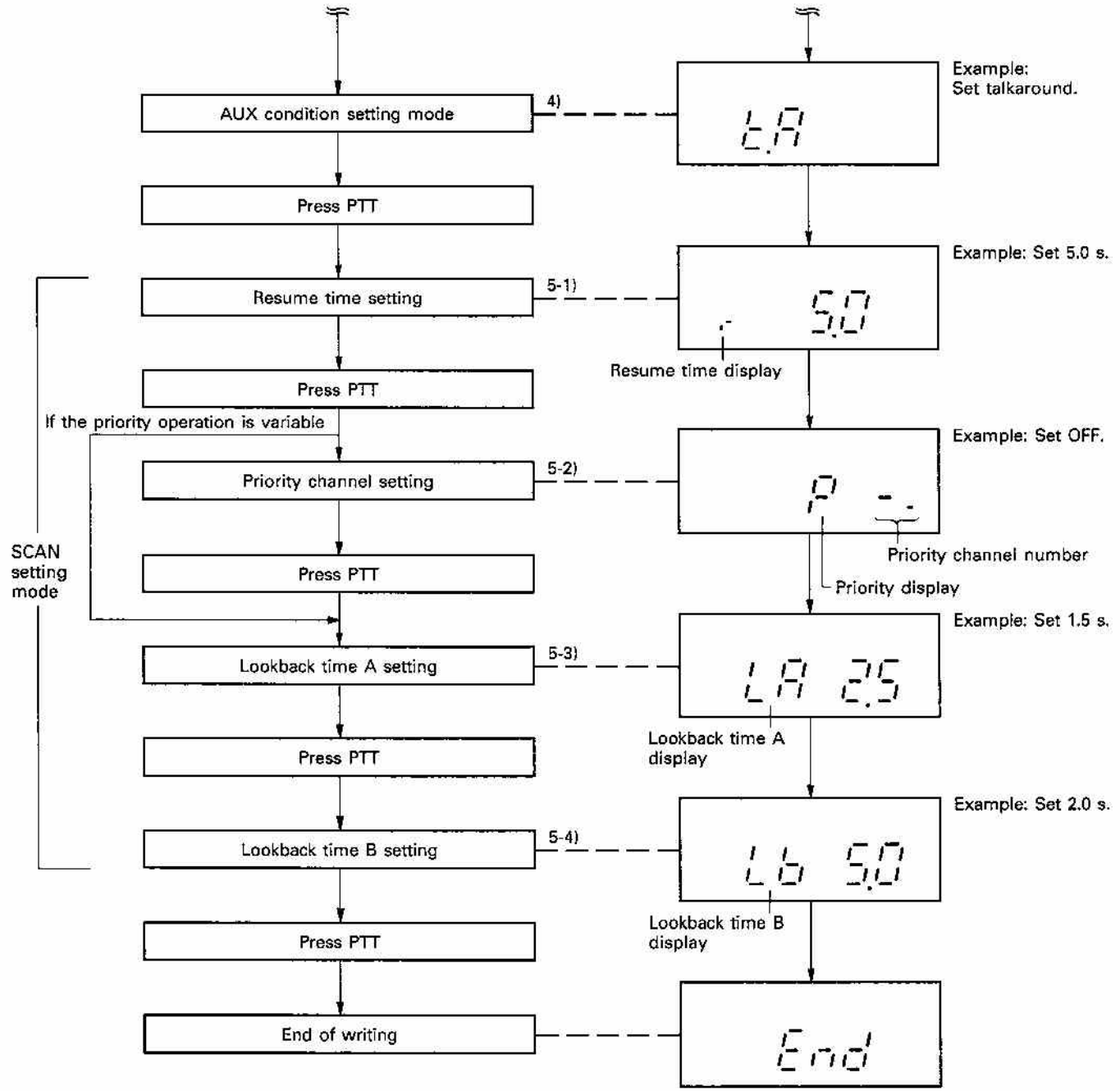
1. In the frequency setting mode, the transmit/receive frequency, QT (CTCSS)/DQT, AUX condition, and SCAN condition are specified.
2. To enter the frequency setting mode, make sure that connector CN8 is set to the SET position (• mark). Hold down the AUX and D/A keys, turn the

POWER switch on, and keep the keys down for two seconds. Four beeps are heard and the mode is set. When the mode is entered, the one-channel receive frequency setting mode is set first. Whenever the PTT key is pressed after setting a frequency, the mode changes as shown in flowchart.

1. Flowchart of frequency setting mode



REALIGNMENT



REALIGNMENT

2. Setting method (See the flowchart page 10)

The setting method in each mode is described below. Perform operations in the order given in the flowchart.

1) Receive/transmit frequency setting mode

• LCD


Channel display:

Channel number of the channel to be set

Frequency display:

- (1) If there is data stored in the EEPROM
The frequency stored in the EEPROM is displayed.
- (2) If there is no data stored in the EEPROM
 RX If one channel is used, the initial frequency (450,000)
If one channel is not used, dots (_ _ - - - -) are displayed, and when the encoder is turned, the receive frequency of one channel is displayed.
 TX Dots (_ _ - - - -) are displayed, and when the encoder is turned, the receive frequency of that channel is displayed.

Other display:

The transmit indicator  lights only when transmit data is input.

• Operation

1. When the encoder is turned, the display frequency changes (in steps). When the encoder is turned while the AUX key is being held down, the display frequency changes in MHz units.
2. Each time the SCAN key is pressed, the frequency display step is changed.
If port 30 is high : The frequency changes between 10kHz and 12.5kHz.
If port 30 is low : The frequency changes between 5kHz and 6.25kHz.
3. RX only
Each time the D/A key is pressed, the display toggles between ADD and DELETE.
If ADD indicator is lit : ADD function
If ADD indicator is off : DELETE function
Each time the REC key is pressed, the auxiliary function toggles on or off.
If AUX indicator is lit : Set
If AUX indicator is off : Not set

4. When the PTT key is pressed, the displayed frequency is set as the receive or transmit frequency for that channel, and the next receive or transmit QT/DQT setting mode is set.

Note : When the step is changed between 6.25kHz and 12.5kHz, the dot lights if the frequency contains the fraction 0.25, 0.5, or 0.75kHz, and it can be set, but the frequency is not displayed.

2) Receive and transmit QT/DQT setting mode

QT (CTCSS), DQT, or signaling off (OFF) is selected in this mode.

• LCD


Channel display:

Channel number of the channel to be set

Frequency display:

- (1) If there is data stored in the EEPROM
The signaling type stored in the EEPROM is displayed.
- (2) If there is no data stored in the EEPROM
OFF is displayed.

Other display:

The transmit indicator  lights only when transmit data is input.

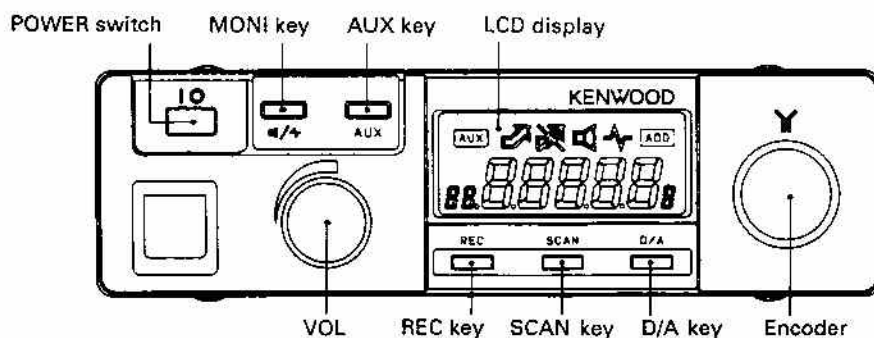
• Operation

1. When the encoder is turned, the display changes between QT, DQT, and signaling off (OFF). Set the necessary type.

→ DQT (*dt*) ↔ QT (*t*) ↔ OFF (*OFF*) ←

The letters in parentheses are displayed on the LCD.

2. If OFF is selected for signaling and then the PTT key is pressed, the transmit or receive frequency setting mode is entered. The transmit QT/DQT setting mode ends after 16 channels, and the AUX condition setting mode is entered.
If QT/DQT is selected and then the PTT key is pressed, the next receive and transmit QT frequency or DQT setting mode is entered.



REALIGNMENT

3) QT frequency/DQT code setting

• LCD

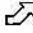
Channel display:

Channel number of the channel to be set

Frequency display:

- (1) If there is data stored in the EEPROM
The QT frequency/DQT code stored in the EEPROM is displayed.
- (2) If there is no data stored in the EEPROM:
QT 67.0 (Hz) is displayed.
DQT 000 is displayed.

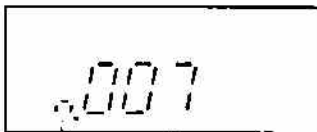
Other display:

The transmit indicator  lights only when transmit data is input.

• Operation

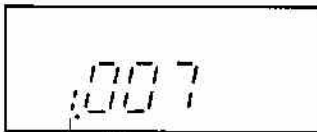
1. Each time the encoder is turned,
QT The frequency changes from 67.0 to 250.3Hz in 0.1-Hz steps.
DQT The code changes from 000 to 777 (octal) in digits.
2. Hold down the AUX key and turn the encoder.
QT The frequency changes by 1Hz or more.
DQT The two or more digits of the code change.
3. Hold down the REC key and turn the encoder.
QT The frequency changes by 10Hz or more.
DQT The third digit of the code changes.
4. Each time the SCAN key is pressed, the DQT code changes between normal and inverse.

LCD display



Example: Normal code of 007

Normal display



Example: Inverted code of 007

Inverted display

5. When the PTT key is pressed, the displayed QT frequency/DQT code is set as the QT frequency/DQT code for that channel, and the next transmit or receive frequency setting mode is set.

4) AUX condition setting mode

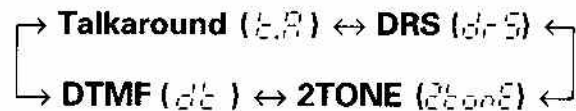
In the AUX condition setting mode, talkaround, digital recording system (DRS), 2TONE, or DTMF is selected.

• Initial LCD display

1. If there is AUX data stored in the EEPROM
The AUX data stored in the EEPROM is displayed.
2. If there is no data stored in the EEPROM
Talkaround is displayed.

• Operation

1. When the encoder is turned, the display changes between talkaround, DRS, 2TONE, and DTMF. Set the necessary type.



The letters in parentheses are displayed on the LCD.

2. When the PTT key is pressed, the displayed AUX condition is set, and the next SCAN setting mode is entered.

5) SCAN setting mode

In the SCAN setting mode, the resume time, priority channel, lookback time A, and lookback time B are written in the order listed.

5-1) Resume time setting

• Initial LCD display

1. If the resume time is stored in the EEPROM
The resume time stored in the EEPROM is displayed.
2. If there is no data stored in the EEPROM
1.0 (sec) is displayed.

• Operation

1. When the encoder is turned, the resume time can be selected. Set the necessary data.
15 steps: 1.0, 1.5, 2.0, 2.5, 3.0, 3.5, 4.0, 4.5, 5.0, 5.5, 6.0, 6.5, 7.0, 7.5, 8.0 (seconds)
2. When the PTT key is pressed, the displayed resume time is set, and the next priority channel can be set.

Note : If the priority is set to variable (US) in the specification setting mode, lookback time A can be set.

REALIGNMENT

5-2) Priority channel setting

• Initial LCD display

1. If a priority channel is stored in the EEPROM
The priority channel stored in the EEPROM is displayed.
2. If there is no data stored in the EEPROM
Dots (–) are displayed without priority channel specification.

• Operation

1. When the encoder is turned, the priority channel can be selected. Select the appropriate channel.
Channels **1** to **16**, no specification (–)
(The channel in which no receive frequency is set cannot be set as a priority channel.)
2. When the PTT key is pressed, the displayed priority channel is set, and the next lookback time A can be set.

Notes :

If a priority channel is set in the frequency setting mode and the setting is changed to variable priority in the specification setting mode, a variable priority operation is performed regardless of the priority channel set or no priority specification.

No priority channel specification means no priority specification during a fixed priority operation. If no priority channel is specified during a variable priority operation, priority specification must be present.

5-3) Lookback time A setting

• Initial LCD display

1. If lookback time A is stored in the EEPROM
The lookback time A stored in the EEPROM is displayed.
2. If there is no data stored in the EEPROM
1.0 (sec) is displayed.

• Operation

1. When the encoder is turned, the lookback time A data can be selected. Set the necessary data.
15 steps: 1.0, 1.5, 2.0, 2.5, 3.0, 3.5, 4.0, 4.5, 5.0, 5.5, 6.0, 6.5, 7.0, 7.5, 8.0 (seconds)
2. When the PTT key is pressed, the displayed lookback time A is set, and the next lookback time B can be set.

5-4) Lookback time B

• Initial LCD display

1. If lookback time B is stored in the EEPROM
Lookback time B stored in the EEPROM is displayed.
2. If there is no data stored in the EEPROM
1.0 (sec) is displayed.

• Operation

1. When the encoder is turned, the lookback time B data can be selected. Set necessary data.
15 steps: 1.0, 1.5, 2.0, 2.5, 3.0, 3.5, 4.0, 4.5, 5.0, 5.5, 6.0, 6.5, 7.0, 7.5, 8.0 (seconds)
2. When the PTT key is pressed, the displayed lookback time B is set, and End is displayed to indicate the end of writing.

3. Confirmation of written data

- Written data can be confirmed by holding down the MONI key and turning the encoder clockwise or counterclockwise in the frequency setting mode.
- When the encoder is turned one step clockwise or counterclockwise, the data can be confirmed as follows.

• When the encoder is turned clockwise

RX frequency
↓
RX signaling type setting
↓
RX QT frequency/DQT code setting
↓
TX frequency

• When the encoder is turned counterclockwise

TX frequency
↓
RX signaling type setting
↓
RX QT frequency/DQT code setting
↓
RX frequency

- When data is confirmed with the MONI key and encoder, the encoder, PTT, AUX, and D/A keys are still valid, and data can be rewritten.

Option Setting

Options can be set on and off for each channel. If an option is not on, DRS and talkaround do not function. (The receive frequency is set in the frequency setting mode.)

REALIGNMENT

Clone Mode

There are two clone modes. Select the appropriate mode as required.

- Connect two transceivers, and transfer the contents of the EEPROM of one transceiver to the the EEPROM of the other.
- Transfer data from an IBM PC or compatible machine to the EEPROM of a transceiver.

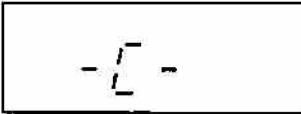
Note : This mode is valid regardless of whether CN8 is set to SET or USE.

1. Operation

1) Data transfer from one transceiver to another

1. Hold down the AUX and MONI keys on the two transceivers, turn the POWER switch on, and keep the keys down for two seconds. One beep is heard, then, when the AUX key is released, the LCD indicates the clone mode.

LCD display



2. Connect two transceivers in the clone mode with a microphone cable.

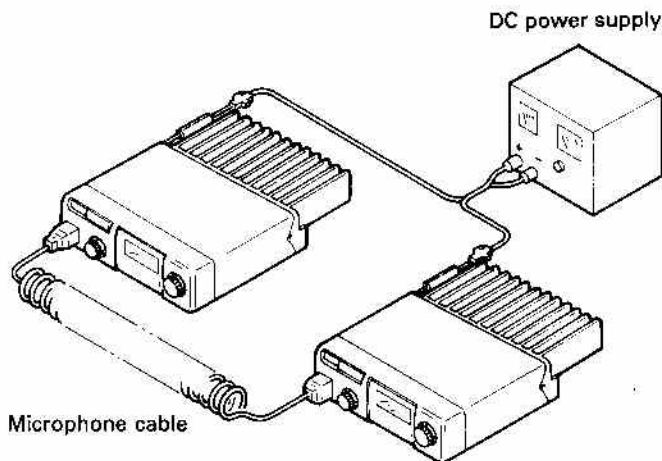
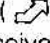
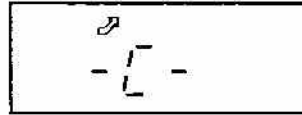


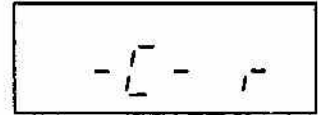
Fig. 1

3. When the MONI key on the transceiver ^{TRANSMIT} to which ~~data is to be transferred~~ is pressed, the LCD shows the transmit indicator (), and data is transferred to the receiving transceiver.

LCD display



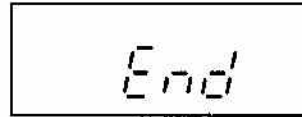
Transmitting transceiver



Receiving transceiver

4. When the data transfer ends (about 40 seconds), both transceivers beep and display End.

LCD display



5. If the MONI key is pressed while End is displayed, the condition in 1 returns.

REALIGNMENT

2) Data transfer from IBM PC to transceiver

• Preface

The TK-805D transceiver is programmed by using a personal computer, programming interface (KPG-4), and programming software (KPG-6D).

The programming software can be used with an IBM PC or compatible. Figure 2 shows the setup of an IBM PC for programming.

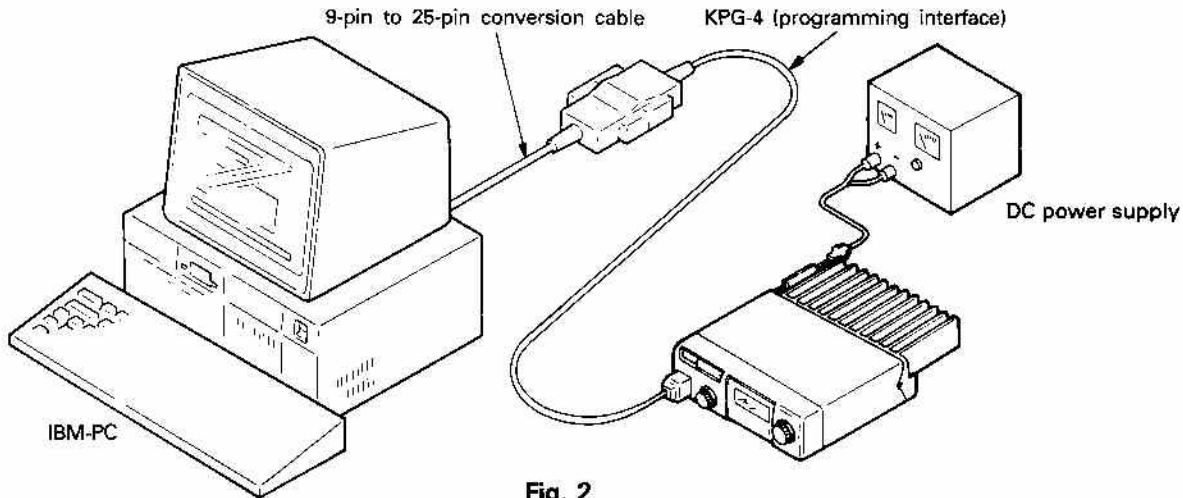


Fig. 2

• KPG-4 description

(P.C. programming interface cable : Option)

The KPG-4 is required to interface the TK-805D to the computer. It has a circuit in its D-subconnector (25-pin) case that converts the RS-232C logic level to the TTL level.

The KPG-4 connects the front panel modular microphone connector of the TK-805D to the computer's RS-232C serial port.

• Programming software description

The KPG-6D Programming Disk is supplied in 5-1/4" and 3-1/2" disk format. The Software on this disk allows a user to program TK-805D radios via Programming Interface cable (KPG-4)

1. LOADING

This program assumes the user has a basic working knowledge of their particular IBM or IBM compatible computer. Consult your computer and DOS manual for detailed explanations.

2. COMPUTER SETUP (A one time setup procedure - go to step 1, if this has been done.)

This program needs the device driver file ANSI.SYS, in order to run properly. In DOS versions 3.1 and later, the ANSI.SYS file is located as either a file in DOS sub-directory or in the root(main) directory of your hard disk. The computer must be told to install ANSI.SYS at the time DOS is located, i.e., "booted up". This DOS looks for and "executes" during the boot process. It

should be located in the directory of your hard disk, or the disk you use to boot up DOS. If a CONFIG.SYS file does not exist, one can either create one, or, add the directive line to an existing CONFIG.SYS file. These can be accomplished by using the EDLIN text editor command discussed below (these processes are identical). The main objective is to have a CONFIG.SYS file that contains a directive to install the ANSI.SYS file.

Ex. : Dos is on C-drive, hard disk. Bring up C-drive prompt C : \ on your computer display.

STEP 1.

The first step is to look at your CONFIG.SYS file to see if a "DEVICE=...ANSI.SYS" line may already exist there. To list your CONFIG.SYS file, type the following : TYPE CONFIG.SYS <enter>

If found here, your computer is setup: insert the KPG-6D in drive A and type: KPG6D, then hit <enter> to start the program.

If no CONFIG.SYS file exists, or the CONFIG.SYS file did not contain a "DEVICE = ...ANSI.SYS" line, then find the location of your ANSI.SYS file by using the DOS directory command, DIR and chose the appropriate device driver line for STEP 2.

if found in the root directory use :

DEVICE = C : \ ANSI.SYS

if found in the DOS sub-directory use:

DEVICE = C : \ DOS \ ANSI.SYS

(i.e. specify a path in which CONFIG.SYS can find ANSI.SYS)

REALIGNMENT

STEP 2.

Create or edit the CONFIG.SYS file with as follows:

	Hit:	-Remarks-
2-a type: EDLIN CONFIG.SYS	<enter>	
2-b type: 1i	<enter>	
2-c type: DEVICE = (from STEP 1)	<enter>	
2-d hold (<Ctrl> + press Z key, release	(^Z appears)	
	<enter>	
2-e type: E	<enter>	(C:\prompt re-appears)

(NOTE : This will in no way erase anything or cause harm to the operation of your computer or other software. This only has to be done once.)

*To re-check the CONFIG.SYS file for errors in the "Device=.....ANSI.SYS" line:

	Hit
type: TYPE CONFIG.SYS	<enter>

This will list the contents of the file. If an error is found:

	Hit
type: EDLIN CONFIG.SYS	<enter>
type: 1d	<enter>

This will "delete" the erroneous line 1. Now proceed from STEP 2-b through 2-e and enter the correct "DEVICE=.....ANSI.SYS" line in STEP 2-c

*ALTERNATIVE METHODS FOR EDITING AND/OR CREATING THE CONFIG.SYS FILE:

1. (Easiest) Use your Word Processor software :
Load in the CONFIG.SYS file and add the "DEVICE=.....ANSI.SYS" line (determined in STEP 1) as line 1, just as if you were interesting a line of text in a letter or memo. Then save the file back to its appropriate drive and/or path.
2. Use the "COPYCON" DOS command to add the "DEVICE=.....ANSI.SYS" line.
In this case, your whole CONFIG.SYS file must be re-typed letter-for-letter, symbol-for symbol, space-for-space.....BE CAREFUL!!! - as your PC may have quite an extensive CONFIG.SYS file.

Notes : + The above methods should be attempted by an experienced PC user.

+ The "DEVICE=.....ANSI.SYS" line does not necessarily have to be line 1 of the CONFIG.SYS file (this is chosen just for convenience), but it MUST BE placed before any "DEVICE =DISPLAY.SYS...." line.

STEP 3.

Re-boot DOS for the ANSI.SYS installation to be accomplished.

[TO START THE PROGRAMMING SOFTWARE]

STEP 4.

Insert the KPG-6D disk in drive A or appropriate drive and type : KPG6D. hit <enter>, to start the program.

The main menu of the KPG-6D should appear. Consult the "HELP" screens by pressing F1 to familiarize yourself with the software features.

Note : If STEP 2 and 3 are not done, the main menu display of the KPG-6D will contain random ASCII graphic characters at the top and/or the bottom of the screen. Also the program will "freeze-up" and not function.

To escape from this :

- i) hold <Ctrl> + press C key
- ii) press "Y" for the "terminate batch file Y/N" query. The drive prompt should appear.
- iii) Re-check that STEP 2 and 3 were done correctly.

3. TO INSTALL ONTO ANOTHER FLEXIBLE OR HARD DISK:

The KPG-6D program disk contains a batch file that will automatically copy the entire KPG-6D disk from one disk to another by typing in one command. This is useful when installing the KPG-6D into your hard disk or making a back-up copy. After DOS is booted up, insert the KPG-6D disk into an appropriate "source" drive and:

	Hit
type: 'source drive'	<enter>
Example: a:	<enter>
type: KPG6DINS (space) 'target drive'	<enter>
Example: KPG6DINS b:	<enter>

The program and all data files will be loaded into a new sub-directory structure starting at:

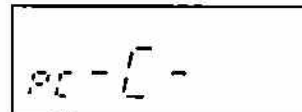
\KPG6D\

If the software does not work properly, please see INSTALLATION and proceed the installation again, or Call our Customer service.

• Programming method

1. Hold down the AUX and MONI keys on the TK-805D, turn the POWER switch on, and keep the keys down for two seconds. One beep is heard. When the MONI key is released, the LCD indicates the PC clone, and the IBM PC mode is entered.

LCD display



2. Transmit the data created by the IBM PC.
3. [] is indicated on the display of the TK-805D. (If data is being transmitted from the TK-805D to the IBM PC, [] is displayed.)
4. After the data transfer ends, the TK-805D is ready to receive data as in 2.

REALIGNMENT

User Use Mode

In this mode, the user uses the transceiver.

After writing all data, set the CN8 short connector to the USE side, and switch the power on to enter this mode.

1. Initial condition

CH : If the last channel number is backed up, that channel becomes ready to receive. If the last channel number is not backed up, channel 1 becomes ready to receive.

MONI : OFF

SQ OFF : OFF

SCAN : OFF

AUX : OFF

REC : OFF

2. Function

Encoder : Channel up/down

MONI : MONI ON/OFF (When this key is held down for two seconds, SQ is set to OFF.)

PTT : Transmit/receive

Microphone hook : Microphone hook function (This function works by setting.)

AUX : Option ON/OFF

REC : Option ON/OFF

SCAN : SCAN ON/OFF

D/A : Change between ADD and DELETE (This function works after the SCAN key is pressed. It works only when available in the specification setting mode.)

RAD Selection

There are two RAD selection modes: RA and RD. Either can be selected, according to your purpose.

1. Modes

RA : The audio signal, muted or unmuted by the busy signal (IC204 port 23: pin 37), is obtained. (Factory setting: RA)

If DRS is set with AUX, set the mode to RA. (If the mode is set to RD, noise is recorded, not muted, and so is played back.)

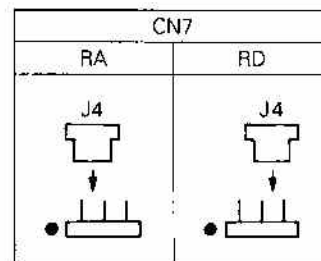
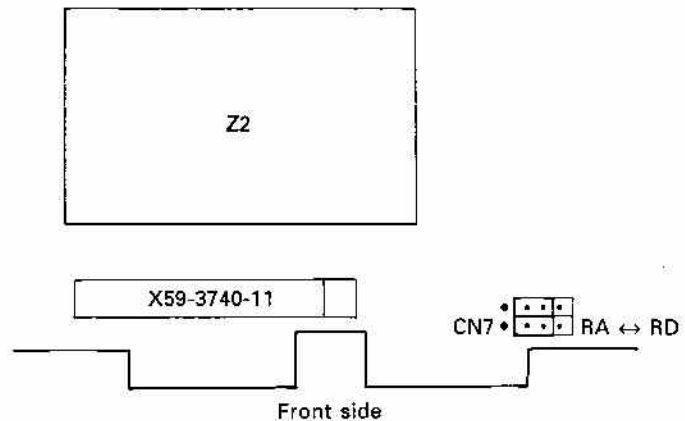
RD : The audio signal is always obtained whether there is a busy signal or not. If 2TONE or DTMF is set with AUX, set the mode to RD. (If the mode is set to RA, the voice signal may be muted if the radio signal is weak.)

If AUX is not set, or if talkaround is set, either RA or RD can be selected.

2. Switching between RA and RD

To set the RAD signal to RA or RD, reconnect the shorting plug (J4) of connector CN7 on the TX-RX unit (A/2). (It is factory-set to RA.)

TX-RX UNIT (A/2) Component side view



Note : Remove the plug (J4) from above.

REALIGNMENT

CN204 pin functions when AUX is set (DRS/2TONE/DTMF)

1. Digital recording system (DRS)

- When the REC key is pressed, the RA signal can be recorded, and CN204 pin 2 (PO1) goes high. CN204 pin 3 (PO2) goes high in synchronization with the busy signal, and recording starts and continues for about 32 seconds.
- When the AUX key is pressed, CN204 pin 2 (PO1) goes low, pin 3 (PO2) goes high, the recorded signal is output to RA, and playback starts.
- When the DRS is recording or playing back, CN204 pin 6 (PI2) goes low. When the operation ends, pin 6 goes high to indicate the state to the microprocessor. If the AUX key is pressed in the middle, PO3 goes high, and the operation stops.
- When recording starts, ACL goes low, and all is cleared to record data for 32 seconds from the beginning.

2. 2TONE

- When CN7 is reconnected to RD, the receive signal for 2TONE decoding is supplied from CN204 pin 9 (RAD) regardless of whether there is a busy signal or not.
- The 2TONE decode latch is connected to CN204 pin 6 (PI2) so that it is low if the code matches and high if it does not.
- Horn alert is selected so that a high signal is output from CN204 pin 4 (PO3) when it is on, and a low signal is output when it is off, whenever the AUX key is pressed. This signal is used to control the decode momentary signal.
- The 2TONE reset signal is output from CN204 pin 10 (PO4). Normally, the same logic as hook is used: low when hook is on, and high when it is off. The reset signal changes from low to high, and back to low when the channels are switched with the encoder.
- The same logic as PTT (high: RX, low: TX) is output to CN204 pin 3 (PO2).

3. DTMF

- When CN7 is reconnected to RD, the receive signal for DTMF decoding is supplied from CN204 pin 9 (RAD) regardless of whether there is a busy signal or not.
- The DTMF decode latch is connected to CN204 pin 6 (PI2) so that it is low if the code matches, and high if it does not.
- Horn alert is selected so that a high signal is output from CN204 pin 4 (PO3) when it is on, and a low signal is output when it is off, whenever the AUX key is pressed. This signal is used to control the decode momentary signal and the relay.
- The DTMF reset signal is output from CN204 pin 10 (PO4). Normally, the same logic as hook is used: low when the hook is on, and high when it is off. The reset signal changes from low to high, and back to low when the channels are switched with the encoder.
- TRANSPOND PTT is connected to CN204 pin 1 (PI1). When this pin is low, transmission takes place (normally high). The TRANSPOND TONE signal is sent to CN2 pin 2 (ABTO: answer back tone).
- The ALERT TONE signal is sent to CN2 pin 4 (ALERT). The signal is sent to CN2 pin 5 (DBD) only when the DEADBEAT DISABLE function is used (normally high; low when transmission is inhibited).

REALIGNMENT

4. CN204 pin functions

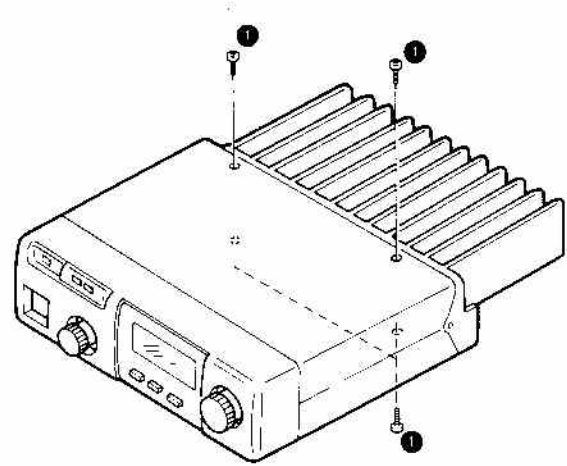
If AUX is set to DRS, 2TONE, or DTMF, the CN204 pin functions change as shown in Table.

IC204 port/pin	CN204 pin	Pin name	Option setting DRS	2TONE	DTMF
P81/20	1	PI1	(VCX) : Unused	NC : Unused	TPT : When transpond tone is transmitted (TX : "L", Normally : "H")
P93/22	2	PO1	P3 : For KVP-1 (Recording mode : "H", Playback mode : "L")	NC : Unused	NC : Unused
P92/24	3	PO2	P0 : For KVP-1 (Recording or playback starts : "H", Normally : "L")	PTT logic output (RX : "H", TX : "L")	("H" output) : Unused
P91/25	4	PO3	P1 : For KVP-1 (Recording or playback stops : "H", Normally : "L")	PHA : Horn alert switch (ON : "H", OFF : "L")	PHA : Horn alert switch (ON : "H", OFF : "L")
	5	8C	(8C) : Unused	8C	8C
P80/21	6	PI2	EOS : For KVP-1 (During recording/playback : "L" Wait for recording or playback : "H")	DL : Decode latch (Match : "L", No match : "H")	DL : Decode latch (Match : "L", No match : "H")
	7	5C	5C	(5C) : Unused	(5C) : Unused
	8	E	GND	GND	GND
	9	RAD	RA : (Reconnect CN7)	RD : (Reconnect CN7)	RD : (Reconnect CN7)
P90/25	10	PO4	ACL : For KVP-1 reset output (Normally : "H", Reset : "L")	Reset : Output with the same logic as hook. (Hook ON : "L", OFF : "H")	Reset : Output with the same logic as hook. (Hook ON : "L", OFF : "H")

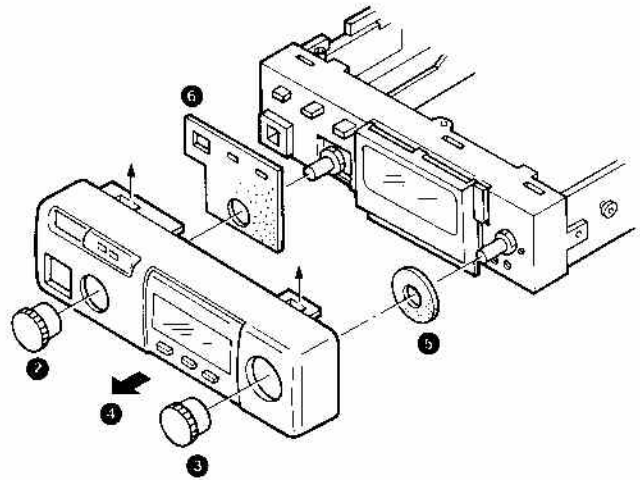
DISASSEMBLY FOR REPAIR

Removing the Front Panel

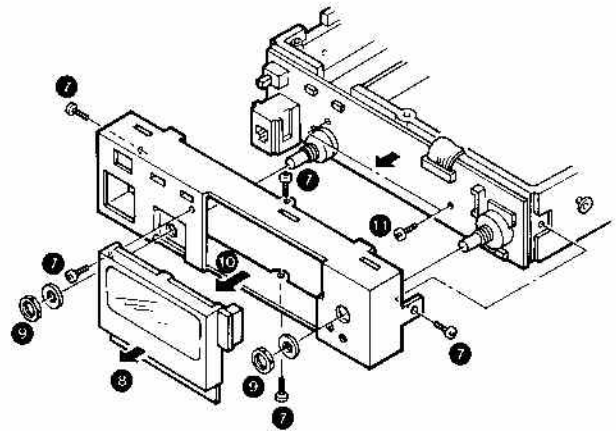
1. Remove the four screws holding the upper and lower cases (1).



2. Pull out the CHANNEL selector knob (2) and volume control knob (3).
 3. Slightly lift the stoppers holding the top and bottom of the front panel and pull out the front panel (4).
 4. Remove the cushions (5, 6).

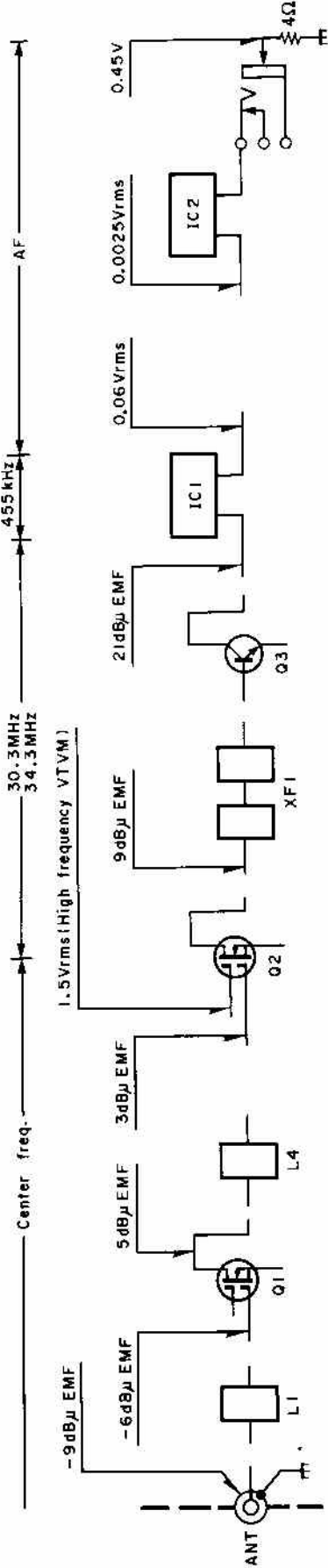


5. Remove the four screws on the sub-panel (7).
 6. Pull the display section forward (8).
 7. Remove the hexagonal nuts of the CHANNEL selector and volume controls (9).
 8. Pull the sub-panel forward (10).
 9. Remove the two screws holding the TX-RX unit (B/2), and remove the unit (11).



LEVEL DIAGRAM

Receiver section

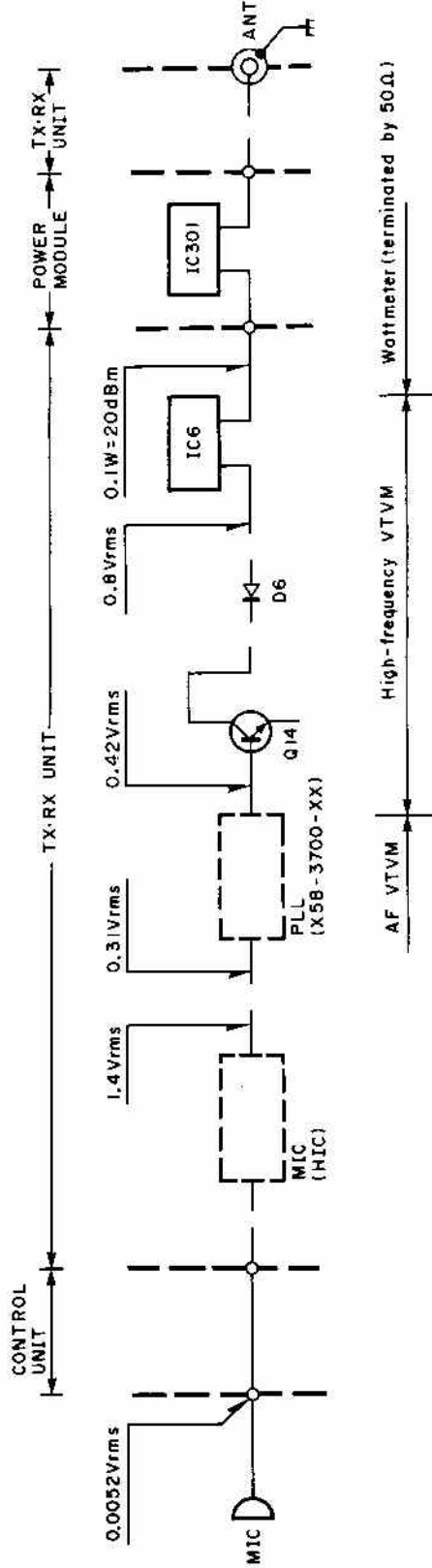


SG input level for 12dB SINAD are obtained. Measured by connecting the SG to each point via a 0.01μF capacitor.

AF level obtained when the AF output level is adjusted for 0.45V/4Ω with the front panel AF VOL control. Measured with AF voltmeter connected to the external speaker jack, receiving a 40dB EMF SSG signal modulated at 1kHz, DEV 3kHz.

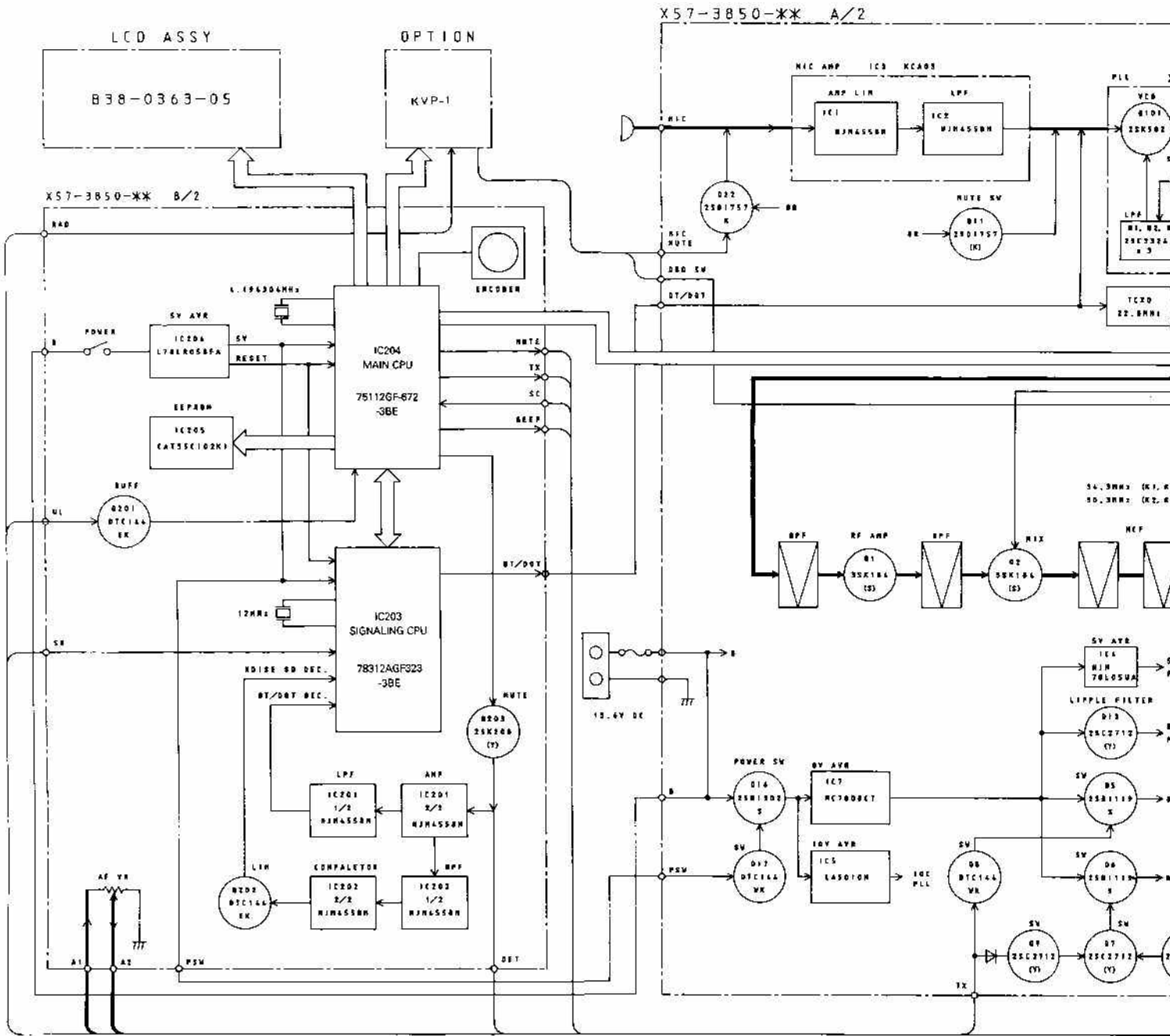
AF VTVM

Transmitter section

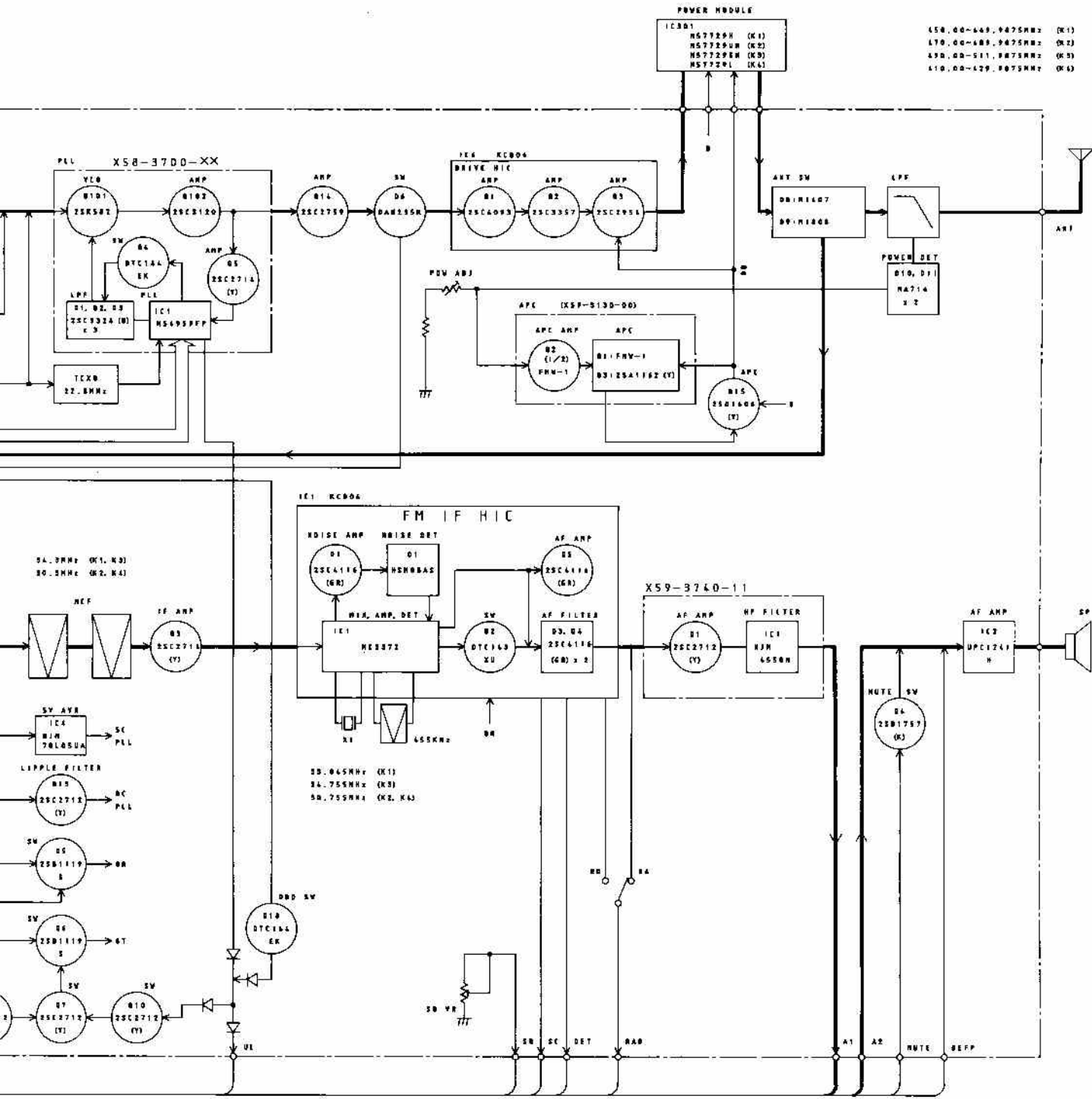


1. AG is set so that MIC input becomes 3kHz DEV at 1kHz mod.
2. Transmitting frequency : Center frequency

TK-805D TK-805E BLOCK DIAGRAM



TK-805D DIAGRAM



CIRCUIT DESCRIPTION

Circuit Configuration By Frequency

The TK-805D incorporates a PLL synthesizer which uses a digital VFO to allow any channel step of 10 and 12.5kHz to be selected (See Figure 1).

The receiving system utilizes double-conversion techniques. That is, an incoming signal is mixed down to the 1st intermediate frequency (IF), using a 1st local oscillator frequency. The 1st IF signal is then mixed with the 2nd local oscillator frequency of 30.3MHz or 34.3MHz to generate the 2nd IF of 455kHz.

The transmitting system consists of a PLL circuit which allows direct modulation and direct frequency division. Signals from the PLL circuit are amplified by a linear amplifier for transmission.

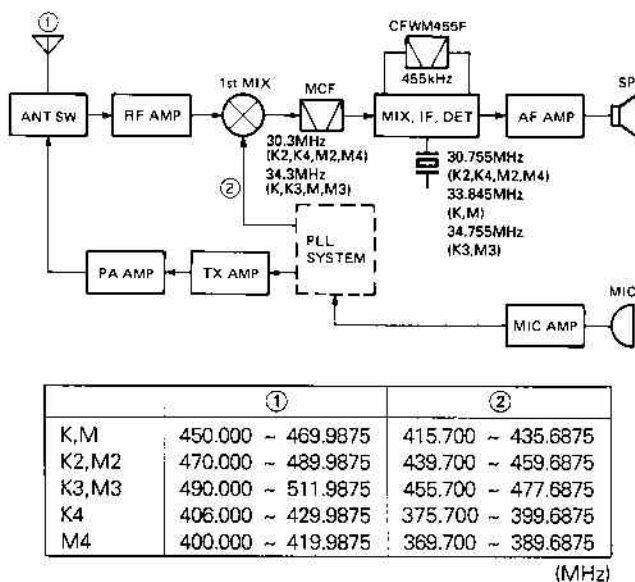


Fig. 1 Frequency configuration

Receiving System

• Overview

Incoming signals from the antenna pass through a low-pass filter in the final block of the transmitter system, and are switched to the front-end of the receiver system via a receive/transmit switching diode.

The signals are then passed through two-pole helical resonator, where the high-frequency components are amplified by a GaAs FET. The signals are then fed into a three-pole helical resonator. The resulting signal from the second resonator is fed into the 1st mixer. The 1st mixer uses the same GaAs FET that are used in the RF stage to obtain better two-signal characteristics. The 1st mixer mixes the signal with the 1st local oscillator frequency and converts it to the 1st IF. The signal then passes through two monolithic crystal filters (MCFs) to remove unnecessary near-by frequency components. The signal from the MCFs is used as the 1st IF signal.

The 1st IF signal is amplified and fed into IC1 (KCD04) in the FM IF HIC. The IF signal is then mixed with the 2nd local oscillator frequency to generate the 2nd IF of 455kHz. The 455kHz signal is then passed through a six element ceramic filter (CFWM455F), and fed back into IC1 for additional amplification. The output signal from the IC1 is then fed into a power amplifier via the audio volume control for application to the speaker.

Item	Rating
Nominal center frequency	30.3MHz
Pass band width	±7.5kHz or less at 3dB
Attenuation band width	±28kHz or less at 40dB
Ripple	1.5dB or less
Insertion loss	3dB or less
Guaranteed attenuation	60dB or more within ±1MHz (Spurious : 40dB or more)
Terminating impedance	1.2kΩ/0.5pF

Table 1 MCF (L71-0294-05) (TX-RX unit XF1)
(K2, K4, M2, M4)

Item	Rating
Nominal center frequency	34.3MHz
Pass band width	±7.5kHz or less at 3dB
Attenuation band width	±28kHz or less at 40dB
Ripple	1.5dB or less
Insertion loss	3dB or less
Guaranteed attenuation	60dB or more within ±1MHz (Spurious : 40dB or more)
Terminating impedance	800Ω/1.5pF

Table 2 MCF (L71-0296-05) (TX-RX unit XF1)
(K, K3, M, M3)

Item	Rating
Nominal center frequency	455kHz ± 1kHz
6dB bandwidth	±6kHz or more (from 455kHz)
50dB bandwidth	±12.5kHz or less (from 455kHz)
Ripple (within ±4kHz of 455kHz)	3dB or less
Insertion loss	6dB or less
Guaranteed attenuation (within ±100kHz of 455kHz)	35dB or more
I/O matching impedance	2.0kΩ

Table 3 Ceramic filter CFWM455F (L72-0372-05)
(TX-RX unit CF1)

CIRCUIT DESCRIPTION

Transmitting System

• Overview

The transmitter produces the target frequency through the use of direct FM-modulation via a varactor diode.

• Modulation circuit

Audio signals from the microphone are fed into the mic amplifier HIC IC3 (KCA03) for amplification, and then into two operational amplifiers. The operational amplifiers form a splatter filter for pre-emphasis, amplification, limiting, and removal of unnecessary high-frequency components.

The FM modulation circuit directly FM-modulates the VCO signals, using a varactor diode.

• Pre-amplifier stage circuit

Signals from the VCO are applied to the drive HIC IC6 (KCB06). The amplifier always operates in a linear mode so that signals can be amplified without degradation. Additionally, the amplifier is designed to cover a wide range of frequencies and can produce stable output without adjustment. The APC (Automatic Power Control) controls collector voltage from the last stage of the pre-amplifier.

• Power amplifier circuit

The drive signal is amplified to the required level by the power module.

• APC circuit

The APC circuit for automatic transmit output control detects part of the power module output, and amplifies it to provide a control voltage for output control. The output control voltage is in inverse proportion to the output from the power module, so it is maintained at the same level.

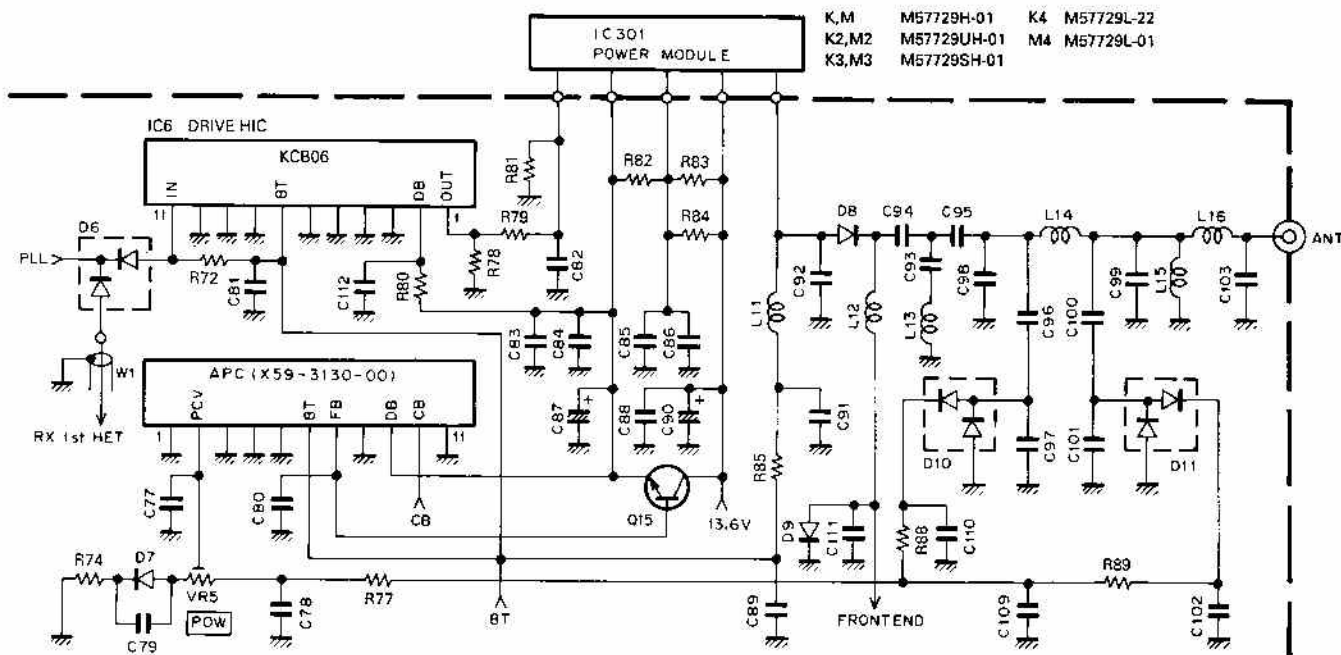


Fig. 2 Pre-amplifier stage, power amplifier, and APC circuits

(Tc = 25°C)

Item	Symbol	Condition	Rating	Unit
Operating voltage	Vcc		17	V
Current consumption	Icc		10	A
Input power	Pin	Z _G = Z _L = 50Ω	0.6 (Vcc1 ≤ 12.5V)	W
Output power	Pout	Z _G = Z _L = 50Ω	40	W
Operating case temperature	Tc(op)		-30 ~ +110	°C
Storage temperature	Tstg		-40 ~ +110	°C

Table 4 Power module maximum ratings (IC301)

CIRCUIT DESCRIPTION

PLL Synthesizer System

• Overview

Figure 3 is the PLL and VCO block diagram. In the TK-805D, the PLL system is implemented as a sub-unit which is divided into the upper VCO and lower PLL blocks. The sub-unit is shielded to prevent external interference.

There are two reference frequencies, 6.25kHz and 5 kHz, available to allow 10 or 12.5kHz-step operation. The 6.25kHz is obtained by dividing the reference oscillator frequency of 12.8MHz by 2048, and the 5kHz is obtained by dividing it by 2560. The VCO directly gen-

erates the requirement frequency. This requirement frequency is amplified once and then fed into a pulse swallow-type PLL IC for frequency division and phase comparison, in order to lock the frequency.

The PLL system is locked without switching between transmit mode and receive mode. By using a signal ("H" in transmit mode) from pin 10 of the PLL IC (M54959FP), the LPF is deactivated-activated by Q4 only for the moment when the TK-805D enters transmit mode. This helps produce lock more rapidly than previous methods.

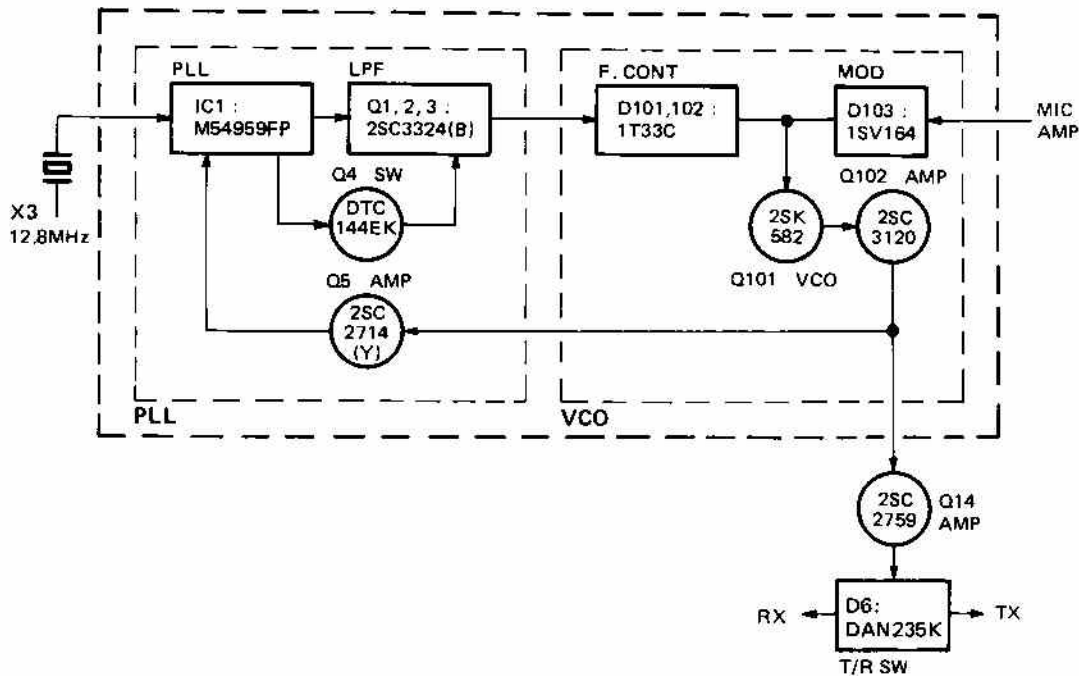


Fig. 3 PLL block diagram

CIRCUIT DESCRIPTION

• 8T (8V in transmit mode) and unlock circuits

In receive mode, the base of Q9 has 0.7V. As a result, Q9 is on, and Q7 and Q6 are off, and the collector of Q6 (8T) provides no voltage.

When the PTT switch is depressed. As a result, P21 of CPU (IC204) becomes "L", turning Q9 off, and Q7 and Q6 on. The 8T line is therefore supplied with 8V.

The unlock circuit operates only in transmit mode. Q10 is a PLL unlocking switching transistor. Usually, the base of Q10 is supplied with 0V ("L"), and the collector is supplied with 8V ("H").

When the PLL is unlocked, the base of Q10 is supplied with 0.7V, turning Q10 on. As a result, the collector of Q10 becomes "L" (0V). This turns Q7 off and the collector of Q6 becomes 0V, turning it off. Therefore, when the PLL is unlocked, Q6 is off removing bias voltage from the 8T line. Without the 8T voltage no transmit signal is generated.

If the DBD (dead beat disable) function is used for DTMF control, a signal that is normally high (or open), going low during a DBD operation, is applied to CN2 DBD pin 5. This turns Q18 on, and Q10 is controlled by the PLL unlock signal only. Q18 turns off during a DBD operation, and Q10 turns on regardless of the PLL unlock signal. The collector of Q10 goes low, 8T is not output as described previously, and transmission is inhibited. If DBD is not used, do not connect it.

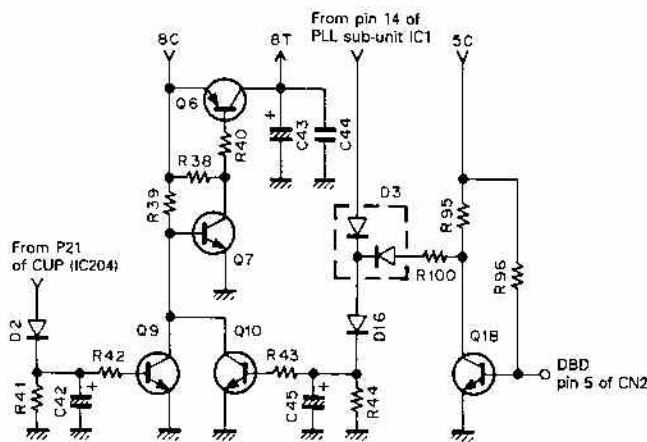


Fig. 4 8T and unlock circuits

Digital Control System

• Overview

The control system consists of a 8 bit micro-controller (IC203), a 4 bit micro-controller (IC204), a reset IC (IC206), and an Electronically Erasable Read Only Memory (EEROM) (IC205).

• Frequency programming of transmit and receive

Transmit and receive frequencies are programmed by using the channel selector and the PTT switch on the transceiver when an internal jumper is installed.

After the internal jumper is removed, the transceiver reverts to the user mode and the channel selector only selects those frequencies already programmed into the EEROM.

• Reset circuit

Micro-controller reset and memory back-up are enabled by RST (IC206).

At initial power on (if the voltage rises slowly), the output RST of IC206 is detected by IC203, 204 and reset is initiated internally.

If 5C voltage exceeds 4.8V, the output RST of IC206 becomes high, causing the micro-controller to go to the reset mode.

• Display circuit

The display circuit is contained in the LCD assembly. It consists of a LCD driver, its peripheral circuits, and an LCD. The LCD is dynamically operated at a 50% duty cycle. The LCD driver receives LCD data from P61, P72, and P73 of the CPU (IC204).

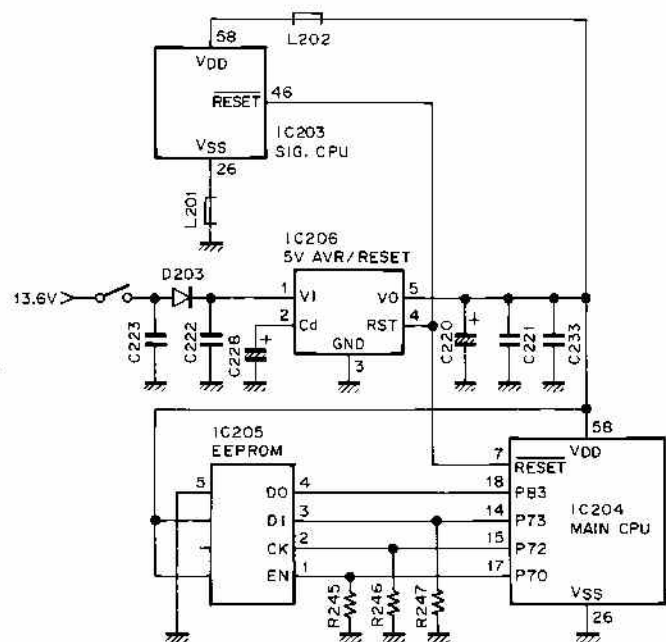


Fig. 5 Reset circuit

CIRCUIT DESCRIPTION

• PLL data output

PLL data is available from P72 (CK), P73 (DT), and P71 (EN) of the CPU (IC204). Figure 6 is a timing chart for PLL data transfer, and Figure 7 shows the format of PLL data.

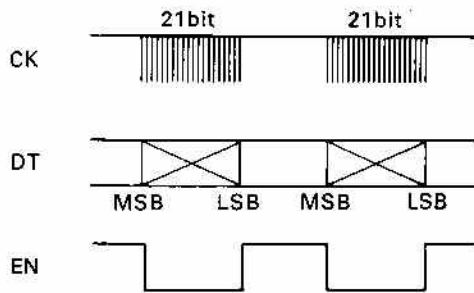
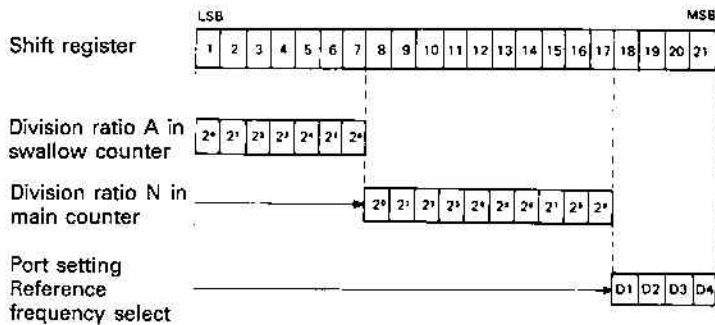


Fig. 6 timing chart for PLL data transfer



The 21-bit data is made up of the following:

1. Reference frequency (ref) select (2 bits)

Data		Phase reference frequency	
D1	D2		
L	L	5kHz	10kHz step mode
H	L	6.25kHz	12.5kHz step mode

2. Switch select (2 bits)

Data		Output port		
D3	D4	SW1	SW2	
L	H	L	H	RX mode
H	L	H	L	TX mode

Fig. 7 PLL data format

Signaling/squelch

The IC1 DET output is amplified by about 26dB by the IC201 (2/2) amplifier, and divided into the QT/DQT signal and the SQ (noise squelch) signal. The QT/DQT signal is limited to 300Hz or less by the IC201 (1/2) low-pass filter, and sent to AN0 (pin 27) of the microprocessor (IC203) for signaling. The SQ signal is limited to 30kHz or more by the IC202 (1/2) high-pass filter, and rectified by the IC202 (2/2) comparator. A signal in the range 0 to 5V is produced by level shifter Q202, and sent to IC203 P30 (pin 20). The microprocessor checks whether the DQT/QT signaling matches. If it does, IC203 P14 DTSS (pin 7) outputs a low signal; otherwise, it outputs a high signal. If there is an SQ signal, IC203 P16 SSQ (pin 9) outputs a low signal; otherwise, it outputs a high signal.

D205 quickly stabilizes the potential on the positive side of C224 to the mid-point bias of IC201 (2/2) when the power is switched on or when transmission changes to reception. Q203 mutes only during scanning, so that signaling is detected correctly while the PLL is unlocked.

For transmission, the QT and DST signals are output as PWM (pulse width modulation) signals from the output pin (P34, pin 33) of the digital-to-analog converter (IC203). They pass through a CR filter, and a modulation signal is sent to the TO pin.

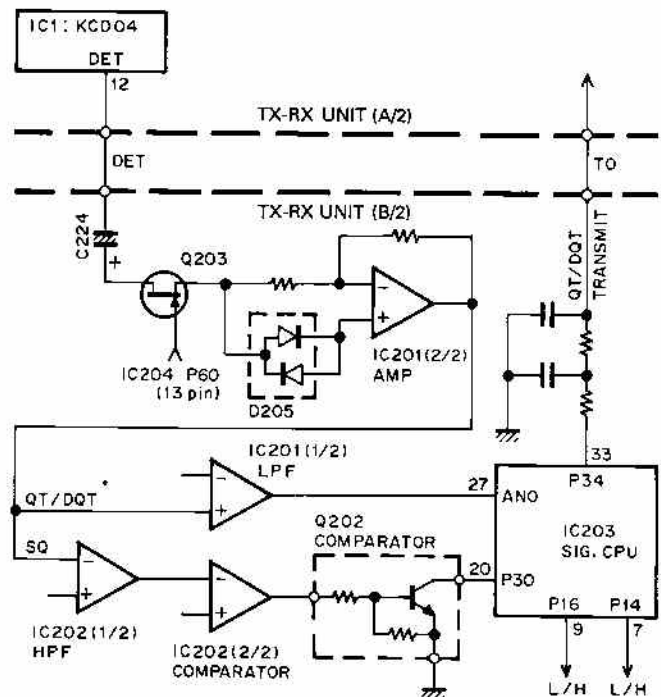


Fig. 8 Signaling/squelch

SEMICONDUCTOR DATA

Signaling CPU : 78312AGF323-3BE (IC203) Terminal Functions

Pin No.	Port No.	Port name	Pin name	I/O	Function
1,2	P06, P07			-	Unused, VDD connection.
3~5	P10~P12			-	Unused, VDD connection.
6	P13		DET25	O	Signaling rise (during scan). 0 : Present, 1 : Absent
7	P14		DETSS	O	Signaling match signal. 0 : Present, 1 : Absent
8	P15			-	Unused, open.
9	P16		SSQ	O	Squelch. 0 : Present, 1 : Absent
10	P17			O	Serial interface busy. 0 : Busy, 1 : OK
11	P20	NMI		-	Unused, GND connection.
12	P21	INTE0		-	Unused, GND connection.
13	P22	INTE1		-	Unused, GND connection.
14	P23	INTE2		-	Unused, GND connection.
15	P24	TXD		-	Unused, GND connection.
16	P25	RXD	TXD	I	Serial data.
17	P26	SCK		-	Unused, open.
18	P27	CTS	CTS	I	Serial clock.
19	RFSH			-	Unused, open.
20	P30	CI0		I	Squelch noise detection.
21	P31	CTRL0		-	Unused, open.
22	P32	CI1		-	Unused, open.
23	P33	CTRL1		-	Unused, open.
24	X1			I	12MHz crystal oscillator.
25	X2			I	12MHz crystal oscillator.
26	Vss			I	GND
27	AN0			I	Signaling signal input.
28	AN1			I	Squelch level setting.
29,30	AN2, AN3			-	Unused, open.
31	AVref			I	VDD connection.
32	AVss			I	GND connection.
33	P34	PWM0	TO	O	Signaling output.
34	P35	PWM1		-	Unused, open.
35	P36	CLR0/TO0		-	Unused, open.
36	P37	CLR1/TO1		-	Unused, open.
37~44	P50~P57	A8~A15		-	Unused, VDD connection.
45	EA			I	VDD connection.
46	RESET			I	Reset pulse input.
47	RD			-	Unused, open.
48	WR			-	Unused, open.
49	ALE			-	Unused, open.
50~57	P40~P47	AD0~AD7		-	Unused, VDD connection.
58	VDD			I	5V connection.
59~64	P00~P05			-	Unused, VDD connection.

Main CPU : 75112GF-672-3BE (IC204) Terminal Function

Pin No.	Port No.	Port name	Pin name	I/O	Function
1	P41			I	Unused, GND or VDD connection.
2	P40	PDETSS	DETSS	I	Signaling match/mismatch. 1 : Mismatch, 0 : Match
3	P53	PDET25	DET25	I	Signaling rise (during scan). 1 : Absent, 0 : Present
4	P52	PUL	LOCK	I	PLL unlock signal.
5	P51	PDQTNITX		I	Logic switching during DQT or transmission. 1 : Inverse, 0 : Normal
6	P50			I	Unused, VDD connection.
7	RESET			I	

SEMICONDUCTOR DATA

Pin No.	Port No.	Port name	Pin name	I/O	Function
8,9	X2, X1			I	4.19MHz crystal oscillator.
10	P63	PSUCOMSK		O	Clock for sub-microprocessor communication.
11	P62	PDQTN1		I	Logic switching during DQT or reception. 1 : Inverse, 0 : Normal
12	P61		CE	O	LCD CE.
13	P60			O	Scan detection mute control. 1 : Unmute, 0 : Mute
14	P73	PROMDI	DT	O	LCD, PLL, EEPROM, and sub-microprocessor data.
15	P72	PROMSK	CK	O	LCD, PLL, and EEPROM CK.
16	P71	PPLLEP	EN	O	PLL IC LE.
17	P70	PROMCS		O	EEPROM CS.
18	P83	PROMDO		I	EEPROM DO.
19	P82			I	
20	P81	POPTX		I	DTMF transpond tone transmission signal.
21	P80	POPDET/PEOS		I	2TONE, DTMF detection. 0 : Match, 1 : Mismatch/DRS EOS signal input. 0 : Stop, 1 : Operate
22	P93	PREC		O	Record/playback switching during DRS. 1 : Record, 0 : Playback
23	P92	PSTART/POPPTT		O	Start during DRS/PTTSW logic output during 2TONE.
24	P91	PRAY/PSTOP		O	Stop during DRS/2TONE, DTMF horn alert switch.
25	P90	POPRET/PACL		O	2TONE, DTMF reset.
26	Vss			I	GND.
27	INT3/P13			-	Unused, GND connection.
28,29	INT2/P12, INT1/P11			I	Encoder.
30	INT0/P10	PSET		I	Setting/use mode switching. 0 : Setting, 1 : Use
31-34	PTH03-PTH00			-	Unused, GND connection.
35	T10	P2CH		-	2-/16-channel switching. Low : 16 channels
36	T11		HOOK	I	IBM PC connection start bit interrupt input.
37	P23	PSMUTE		O	Voice sub mute.
38	PCL/P22	PMUTE		O	Voice mute.
39	PTO1/P21	PTXB		O	Transmission circuit switch. 1 : Reception, 0 : Transmission
40	PTO0/P20		BEEP	O	Beep.
41	SI/P03			-	Unused, VDD connection.
42	SO/P02	PPTTSW	PTT	I/O	Output PTT key input, IN/OUT in clone mode.
43	SCK/P01			-	Unused, open.
44	INT4/P00			-	Unused, VDD connection.
45	P123			I	Unused, VDD connection.
46	P122			-	Unused.
47	P121	PHOOK	HOOK	I/O	In when the microphone is hooked, data out when IBM PC is connected.
48	P120	PAUX1	AUX1	I	AUX key input.
49	P133	PMONI	MONI	I	MONI key input.
50	P132	PAUX2	REC	I	REC key input.
51	P131	PSCAN	SCAN	I	SCAN key input.
52	P130	PDA	D/A	I	D/A key input.
53-56	P143-P140			-	Unused.
57	NC			I	VDD.
58	VDD			I	5V.
59,60	P33, P32			I	IF setting.
61	P31	PSB1		I	Channel setting. 1 : 48 channel, 0 : 16 channel
62	P30	PSB0		I	Step setting. 1 : 10-, 12.5kHz, 0 : 5-, 6.25kHz
63	P43	PSUCOMBS	BUSY	I	Communication busy signal. 1 : Enabled, 0 : Disabled
64	P42	PSSQ	SSQ	I	Slow squelch signal. 1 : Present, 0 : Absent

DESCRIPTION OF COMPONENTS

TX-RX UNIT (X57-3850-XX) -10 : K,M -11 : K2,M2 -12 : K3,M3 -13 : K4 -24 : M4

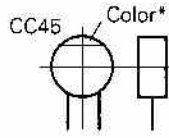
Component	Use/Function	Operation/Condition/Compatibility
IC1	2nd local oscillator, IF amplification, detection, low-frequency amplification, noise amplification, noise detection, squelch switching	1 : 1st IF signal input. 3,4 : 2nd local oscillator. 9 : Busy input. 11 : S-meter output. 12 : DET output. 14 : RD output 15 : Low-frequency output.
IC2	AF amplification	1 : AF input. 6 : AF output.
IC3	MIC amplification	Mic amplification and splatter filter.
IC4	5V AVR	
IC5	10V AVR	For PLL.
IC6	Transmit drive	
IC7	8V AVR	
IC201	Amplification, LPF	
IC202	HPF, comparator	
IC203	Microprocessor	Signaling.
IC204	Microprocessor	Main control.
IC205	EEPROM	
IC206	5V AVR	
IC301	RF power amplification	
Q1	High-frequency amplification	Operates in receive mode.
Q2	1st mixer	
Q3	1st IF amplification	
Q4	AF mute	
Q5	8R switching	On in receive mode.
Q6	8T switching	On in transmit mode.
Q7	8T switching control	On in transmit mode.
Q8	8R switching control	On in receive mode.
Q9	8T switching control	Off in transmit mode.
Q10	8T switching control	Off when PLL locked.
Q11	Mic line mute	Off in transmit mode.
Q12	Mic mute	On when DTMF power output and receive mode.
Q13	PLL 8V ripple filter	
Q14	PLL output amplification	
Q15	TX power control (APC)	
Q16	DC switch	
Q17	DC switch control	On when power switch is on.
Q18	8T switching control	For DTMF DBD switch.
Q201	UL line buffer	Off when PLL locked.
Q202	Limiter	
Q203	DET line mute switch	OFF when SCAN UL, normally ON.
D1	Transmit/receive switching	
D2-4	Switch	
D6	VFO output switch	
D7	Temperature compensation	
D8, 9	Transmit/receive switching	
D10, 11	Power detection	For APC.
D12	Reverse current prevention	
D13	Switch	
D14	RF limiter	
D15	Surge absorber	
D16	Switch	
D202	Microprocessor protection	
D203	Reverse current prevention	
D205	Limiter	

PARTS LIST

CAPACITORS

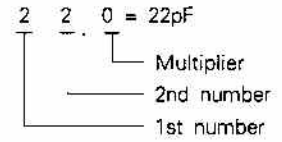
CC 45 TH 1H 220 J
 1 2 3 4 5 6

- 1 = Type ... ceramic, electrolytic, etc.
- 2 = Shape ... round, square, ect.
- 3 = Temp. coefficient
- 4 = Voltage rating
- 5 = Value
- 6 = Tolerance



Capacitor value

- 010 = 1pF
- 100 = 10pF
- 101 = 100pF
- 102 = 1000pF = 0.001μF
- 103 = 0.01μF



Temperature coefficient

1st Word	C	L	P	R	S	T	U
Color*	Black	Red	Orange	Yellow	Green	Blue	Violet
ppm/°C	0	-80	-150	-220	-330	-470	-750

2nd Word	G	H	J	K	L
ppm/°C	±30	±60	±120	±250	±500

Example : CC45TH = -470 ± 60ppm/°C

Tolerance

Code	C	D	G	J	K	M	X	Z	P	No code
(%)	±0.25	±0.5	±2	±5	±10	±20	+40 -20	+80 -20	+100 -0	More than 10μF -10 ~ +50 Less than 4.7μF -10 ~ +75

Code	B	C	D	F	G
(pF)	±0.1	±0.25	±0.5	±1	±2

Less than 10pF

Voltage rating

2nd word \ 1st word	A	B	C	D	E	F	G	H	J	K	V
0	1.0	1.25	1.6	2.0	2.5	3.15	4.0	5.0	6.3	8.0	-
1	10	12.5	16	20	25	31.5	40	50	63	80	35
2	100	125	160	200	250	315	400	500	630	800	-
3	1000	1250	1600	2000	2500	3150	4000	5000	6300	8000	-

Chip capacitors

(EX) C C 7 3 F S L 1 H 0 0 0 J
 1 2 3 4 5 6 7
 (Chip) (CH, RH, UJ, SL) Refer to the table above.

(EX) C K 7 3 F F 1 H 0 0 0 Z
 1 2 3 4 5 6 7
 (Chip) (B, F)

Dimension

Dimension code	L	W	T
Empty	5.6 ± 0.5	5.0 ± 0.5	Less than 2.0
E	3.2 ± 0.2	1.6 ± 0.2	Less than 1.25
F	2.0 ± 0.3	1.25 ± 0.2	Less than 1.25

Dimension

Dimension code	L	W	T	Wattage
E	3.2 ± 0.2	1.6 ± 0.2	0.57	2B
F	2.0 ± 0.3	1.25 ± 0.2	0.45	2A

RESISTORS

Chip resistor (Carbon)

(EX) R D 7 3 E B 2 B 0 0 0 J
 1 2 3 4 5 6 7
 (Chip) (B,F)

Carbon resistor (Normal type)

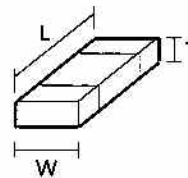
(EX) R D 1 4 B B 2 C 0 0 0 J
 1 2 3 4 5 6 7

- 1 = Type ... ceramic, electrolytic, etc.
- 2 = Shape ... round, square, ect.
- 3 = Dimension
- 4 = Temp. coefficient
- 5 = Voltage rating
- 6 = Value
- 7 = Tolerance

Rating wattage

Code	Wattage	Code	Wattage	Code	Wattage
2A	1/10W	2E	1/4W	3A	1W
2B	1/8W	2H	1/2W	3D	2W
2C	1/6W				

Dimension



PARTS LIST

× New Parts

Parts without Parts No. are not supplied.

Les articles non mentionnés dans le Parts No. ne sont pas fournis.

Teile ohne Parts No. werden nicht geliefert.

TK-805D

Ref. No. 参照番号	Address 位置	New Parts 新	Parts No. 部品番号	Description 部品名/規格	Desti- nation 仕向	Re- marks 備考
TK-805D						
1	1B		A01-1065-03	METALLIC CABINET(UPPER)		
2	2B		A01-1066-03	METALLIC CABINET(LOWER)		
3	1C		A10-1292-01	CHASSIS CALKED ASSY		
4	2B		A22-0765-23	SUB PANEL		
5	2A		A62-0093-03	PANEL ASSY		
7	2A		B03-0563-04	DRESSING PLATE		
8	2A		B10-1126-04	FRONT GLASS		
-			B38-0322-05	DISPLAY ASSY(LED)		
9	2B		B38-0363-05	DISPLAY ASSY(LCD)		
11	1B, 1C		B42-2455-04	LABEL(M4X8 MAX)		
12	1C		B42-3343-04	LABEL(S/No.)		
-			B42-3394-04	LABEL(FCC)		KK2
-			B42-3394-04	LABEL(FCC)		K3K4
13	1E		B46-0409-30	WARRANTY CARD		KK2
13	1E		B46-0409-30	WARRANTY CARD		K3K4
14	1E		B62-0129-00	INSTRUCTION MANUAL		
15	1C	*	B72-0215-04	MODEL NAME PLATE		K
15	1C	*	B72-0217-04	MODEL NAME PLATE		K2
15	1C	*	B72-0218-04	MODEL NAME PLATE		K3
15	1C	*	B72-0219-04	MODEL NAME PLATE		K4
15	1C	*	B72-0220-04	MODEL NAME PLATE		MM2M3
15	1C	*	B72-0220-04	MODEL NAME PLATE		M4
16	1E		E30-2036-05	GND WIRE(MIC)		
17	1E		E30-2076-05	DC CORD ASSY		
18	1C		E30-2145-05	ANT CABLE		
19	1C		E30-2172-15	DC CORD		
-			E31-3197-15	CONNECTING WIRE(SP)		
-			E40-9016-05	PIN ASSY SOCKET		
20	1C, 1D		F05-1031-05	FUSE(10A)		
-			F11-1133-14	SHIELDING COVER(IC301)		
-			G02-0558-04	FLAT SPRING		
21	1B		G02-0576-14	FLAT SPRING(IC, Tr)		
22	1C		G02-0592-04	FLAT SPRING(TX-RX UNIT)		
23	2A		G09-0405-05	KNOB FIXED SPRING		
24	1B		G10-0651-04	NON-WOVEN FABRIC(SP)		
25	1B, 2C		G10-0681-04	NON-WOVEN FABRIC(CHASSIS)		
26	1B, 2B		G10-0686-04	NON-WOVEN FABRIC(CABINET)		
27	1B		G13-0688-04	CUSHION(DC CORD)		
28	2B		G13-0935-04	CUSHION(VOL.)		
29	2A		G13-0936-04	CUSHION(POWER, MONI, AUX)		
30	2B		G13-0937-04	CUSHION(CH)		
31	2B		G13-0953-14	CUSHION(REC, SCAN, D/A)		
-			G13-0959-04	CUSHION(MIL)		KK2
-			G13-0959-04	CUSHION(MIL)		K3K4
33	3D		H10-2677-02	POLYSTYRENE FOAMED FIXTURE		
34	1D		H11-0830-04	POLYSTYRENE PLATE		
35	2D		H13-0814-04	PROTECTION BOARD		
36	1E		H25-0103-04	PROTECTION BAG(DC CORD)		
37	1D		H25-0720-04	PROTECTION BAG(RADIO)		
38	3E	*	H52-0145-04	ITEM CARTON BOX		

E: Scandinavia & Europe K: USA P: Canada W: Europe

U: PX(Far East, Hawaii) T: England M: Other Areas

UE: AAFES(Europe) X: Australia

▲ indicates safety critical components.

PARTS LIST

× New Parts

Parts without Parts No. are not supplied.

Les articles non mentionnés dans le Parts No. ne sont pas fournis.

Teile ohne Parts No. werden nicht geliefert.

TK-805D

TX-RX UNIT (X57-3850-XX)

Ref. No. 参照番号	Address 位置	New Parts 新	Parts No. 部品番号	Description 部品名/規格	Desti- nation 仕向	Re- marks 備考
40	2D		J19-1376-15	MIC HANGER		
41	1C		J19-1434-04	HOLDER(SP)		
-			J21-4282-08	MOUNTING HARDWARE		
43	2D		J29-0441-03	MOUNTING BRACKET		
45	2B		K27-3052-04	KNØB(PØWER)		
46	2A		K29-4533-04	KNØB(CH)		
47	2A		K29-4534-04	KNØB(VØL.)		
48	2B		K29-4535-04	KNØB(MØNI, AUX)		
A	2B		N09-0626-04	SCREW(M3X10)		
B	2B	*	N38-2640-46	SCREW(SUB PANEL)		
C	1C, 2C		N33-2606-45	SCREW(CABINT)		
D	2B, 1C		N87-2606-46	BRAZIER HEAD TAPTITE SCREW(PCB)		
E	2B		N88-2606-46	FLAT HEAD TAPTITE SCREW		
50	2E		N99-0321-05	SCREW SET		
52	1B		T07-0246-05	LOUDSPEAKER(FULLRANGE)		
53	2E		T91-0362-15	MICROPHONE		KK2
53	2E		T91-0362-15	MICROPHONE		K3K4
53	2E		T91-0509-05	MICROPHONE		MM2M3
53	2E		T91-0509-05	MICROPHONE		M4
IC301			LC7582	IC(LCD DRIVER)		
IC301			M57729H-22	IC(PØWER MØDULE/ 450-470MHZ)		KM
IC301			M57729L-22	IC(PØWER MØDULE/ 400-420MHZ)		K4M4
IC301			M57729SH-22	IC(PØWER MØDULE/ 490-512MHZ)		K3M3
IC301			M57729UH-22	IC(PØWER MØDULE/ 470-490MHZ)		K2M2
55	1B, 2C	*	X57-3850-10	TX-RX UNIT		KM
55	1B, 2C	*	X57-3850-11	TX-RX UNIT		K2M2
55	1B, 2C	*	X57-3850-12	TX-RX UNIT		K3M3
55	1B, 2C	*	X57-3850-13	TX-RX UNIT		K4
55	1B, 2C	*	X57-3850-24	TX-RX UNIT		M4
TX-RX UNIT (X57-3850-XX) -10 : K,M -11 : K2,M2 -12 : K3,M3 -13 : K4 -24 : M4						
C1			CC73FSL1H101J	CHIP C	100PF	J
C2			CC73FCH1H010C	CHIP C	1PF	C
C3			CC73FCH1H030C	CHIP C	3PF	C
C3			CC73FCH1H030C	CHIP C	3PF	C
C3			CC73FCH1H270J	CHIP C	27PF	J
C4			CK73FB1H102K	CHIP C	1000PF	K
C5			CC73FSL1H101J	CHIP C	100PF	J
C6			CK73FB1H102K	CHIP C	1000PF	K
C7			CC73FCH1H020C	CHIP C	2.0PF	C
C7			CC73FCH1H030C	CHIP C	3PF	C
C7			CC73FCH1H030C	CHIP C	3PF	C
C8			CK73FB1H102K	CHIP C	1000PF	K
C9			CC73FCH1H010C	CHIP C	1PF	C
C10			CC73FCH1H180J	CHIP C	18PF	J
C10			CC73FCH1H180J	CHIP C	18PF	J
C10			CC73FCH1H220J	CHIP C	22PF	J
C11			CK73FB1H102K	CHIP C	1000PF	K
C12 ,76			CC73FCH1H050C	CHIP C	5PF	C
C13 ,14			CK73FB1H102K	CHIP C	1000PF	K
C15			CC73FCH1H070D	CHIP C	7PF	D
C15			CC73FCH1H070D	CHIP C	7PF	D
C15			CC73FCH1H100D	CHIP C	10PF	D
C16			CK73FB1H102K	CHIP C	1000PF	K
C18			CK73FB1H102K	CHIP C	1000PF	K

E: Scandinavia & Europe K: USA P: Canada W: Europe

U: PX(Far East, Hawaii) T: England M: Other Areas

UE: AAFES(Europe) X: Australia

⚠ indicates safety critical components.

PARTS LIST

× New Parts

Parts without Parts No. are not supplied.

Les articles non mentionnés dans le Parts No. ne sont pas fournis.

Telle ohne Parts No. werden nicht geliefert.

TX-RX UNIT (X57-3850-XX)

Ref. No. 参照番号	Address 位置	New Parts 新	Parts No. 部品番号	Description 部品名 / 規格	Desti- nation 仕 向	Re- marks 備考
C19			CC73FCH1H470J	CHIP C 47PF J		
C20			CC73FCH1H390J	CHIP C 39PF J		
C21 ,22			CK73FB1H102K	CHIP C 1000PF K		
C23			CE04EW1A470M	ELECTRØ 47UF 10WV		
C24			CK73FF1C105Z	CHIP C 1.0UF Z		
C26			CK73FB1E104K	CHIP C 0.10UF K		
C28			CK73FB1E104K	CHIP C 0.10UF K		
C29			CK73FB1E103K	CHIP C 0.01UF K		
C30			CE04EW1C470M	ELECTRØ 47UF 16WV		
C31			CE04EW1A471M	ELECTRØ 470UF 10WV		
C32 -34			CE04EW1A470M	ELECTRØ 47UF 10WV		
C35			CK73FB1E153K	CHIP C 0.015UF K		
C36			CC73FSL1H101J	CHIP C 100PF J		
C38 ,39			CK73FF1C105Z	CHIP C 1.0UF Z		
C40			CK73FB1E103K	CHIP C 0.01UF K		
C41 ,43			CE04EW1A470M	ELECTRØ 47UF 10WV		
C42			C92-0504-05	CHIP TAN 0.68UF 20WV		
C44			CK73FB1E103K	CHIP C 0.01UF K		
C45			C92-0504-05	CHIP TAN 0.68UF 20WV		
C46 ,47			CK73FB1H102K	CHIP C 1000PF K		
C49			CK73FB1H102K	CHIP C 1000PF K		
C51			C92-0004-05	ELECTRØ 1.0UF 16WV		
C52			CK73FB1H471K	CHIP C 470PF K		
C58			CK73FB1H102K	CHIP C 1000PF K		
C61			CK73FB1E103K	CHIP C 0.01UF K		
C62			C90-2049-05	ELECTRØ 15UF 6.3WV		
C63			CK73FB1E103K	CHIP C 0.01UF K		
C64			CE04EW1A221M	ELECTRØ 220UF 10WV		
C65			CE04EW1C100M	ELECTRØ 10UF 16WV		
C66			CK73FB1E103K	CHIP C 0.01UF K		
C67 ,68			CK73FB1H102K	CHIP C 1000PF K		
C69			CK73FB1E103K	CHIP C 0.01UF K		
C70			CK73FB1H102K	CHIP C 1000PF K		
C71			CE04EW1C471M	ELECTRØ 470UF 16WV		
C72			CC73FSL1H101J	CHIP C 100PF J		
C73			CC73FCH1H070D	CHIP C 7PF D		
C74 ,75			CK73FB1H102K	CHIP C 1000PF K		
C77 -81			CK73FB1H102K	CHIP C 1000PF K		
C82			CC73FCH1H040C	CHIP C 4PF C	K4M4	
C83			CK73FB1H102K	CHIP C 1000PF K		
C84			CK73FF1C105Z	CHIP C 1.0UF Z		
C85			CK73FB1H102K	CHIP C 1000PF K		
C86			CK73FF1C105Z	CHIP C 1.0UF Z		
C87			CE04EW1C470M	ELECTRØ 47UF 16WV		
C88			CC73FSL1H101J	CHIP C 100PF J		
C89			CK73FB1H102K	CHIP C 1000PF K		
C90			CE04EW1C100M	ELECTRØ 10UF 16WV		
C91			CK73FB1H471K	CHIP C 470PF K		
C92			CM73F2H050D	CHIP C 5.0PF D	KMK2M2	
C92			CM73F2H050D	CHIP C 5.0PF D	K4	
C92			CM73F2H070D	CHIP C 7.0PF D	K3M3	
C92			CM73F2H100D	CHIP C 10PF D	M4	
C93			CC45SL2H180J	CERAMIC 18PF J		
C94			CC45SL2H150J	CERAMIC 15PF J		
C95			CC45SL2H220J	CERAMIC 22PF J		

E: Scandinavia & Europe K: USA P: Canada W: Europe

U: PX(Far East, Hawaii) T: England M: Other Areas

UE: AAFES(Europe) X: Australia

▲ indicates safety critical components.

PARTS LIST

× New Parts

Parts without Parts No. are not supplied.

Les articles non mentionnés dans le Parts No. ne sont pas fournis.

Teile ohne Parts No. werden nicht geliefert.

TX-RX UNIT (X57-3850-XX)

Ref. No. 参照番号	Address 位置	New Parts 系	Parts No. 部品番号	Description 部品名 / 規格	Desti- nation 仕向	Re- marks 備考
C96			CC73FCH1H0R5C	CHIP C 0.5PF C		
C97			CC73FCH1H020C	CHIP C 2.0PF C		
C98			CC45SL2H040C	CERAMIC 4.0PF C		K2M2
C98			CC45SL2H050C	CERAMIC 5.0PF C		KM
C98			CC45SL2H050C	CERAMIC 5.0PF C		K3M3
C98			CC45SL2H060D	CERAMIC 6.0PF D		K4M4
C99			CC45SL2H070D	CERAMIC 7.0PF D		KM
C99			CC45SL2H070D	CERAMIC 7.0PF D		K3M3
C99			CC45SL2H080D	CERAMIC 8.0PF D		K2M2
C99			CC45SL2H100D	CERAMIC 10PF D		K4M4
C100			CC73FCH1H0R5C	CHIP C 0.5PF C		
C101			CC73FCH1H020C	CHIP C 2.0PF C		
C102			CK73FB1H102K	CHIP C 1000PF K		
C103			CM73F2H040D	CHIP C 4.0PF D		K2M2
C103			CM73F2H050D	CHIP C 5.0PF D		K3M3
C103			CM73F2H060D	CHIP C 6.0PF D		K4M4
C104			CK73FB1E103K	CHIP C 0.01UF K		
C105			CB04BW1C100M	ELBCTRO 10UF 16WV		
C106, 107			CK73FB1E103K	CHIP C 0.01UF K		
C108			C90-2092-05	ELBCTRO 10UF 16WV		
C109, 110			CK73FB1H102K	CHIP C 1000PF K		
C111			CC73FCH1H020C	CHIP C 2.0PF C		K2M2
C111			CC73FCH1H030C	CHIP C 3PF C		KM
C111			CC73FCH1H030C	CHIP C 3PF C		K3M3
C111			CC73FCH1H040C	CHIP C 4PF C		K4M4
C112			CK73FF1C105Z	CHIP C 1.0UF Z		
C113			CK73FB1H102K	CHIP C 1000PF K		
C114			C92-0507-05	CHIP TAN 4.7UF 6.3WV		
C115			CK73FB1E104K	CHIP C 0.10UF K		
C116, 117			CC73FSL1H101J	CHIP C 100PF J		
C118			CK73FB1E103K	CHIP C 0.01UF K		
C119			C92-0003-05	CHIP TAN 0.47UF 25WV		
C120			CK73FB1E153K	CHIP C 0.015UF K		
C121			CK73FB1H102K	CHIP C 1000PF K		
C122, 123			CC73FCH1H180J	CHIP C 18PF J		K3M3
C201			CC73FSL1H101J	CHIP C 100PF J		
C202			CK73FB1E273K	CHIP C 0.027UF K		
C203			C92-0507-05	CHIP TAN 4.7UF 6.3WV		
C204, 205			CK73FB1E273K	CHIP C 0.027UF K		
C206, 207			CC73FSL1H101J	CHIP C 100PF J		
C208			CC73FCH1H180J	CHIP C 18PF J		
C209, 210			CK73FB1H102K	CHIP C 1000PF K		
C211			CK73FB1H472K	CHIP C 4700PF K		
C212			C92-0507-05	CHIP TAN 4.7UF 6.3WV		
C213, 214			CC73FCH1H100D	CHIP C 10PF D		KMK2M2
C213, 214			CC73FCH1H100D	CHIP C 10PF D		K3M3
C215, 216			CK73FB1E104K	CHIP C 0.10UF K		
C217			CK73FB1H102K	CHIP C 1000PF K		
C218, 219			CC73FCH1H330J	CHIP C 33PF J		
C220			CB04NW1C470M	ELECTRO 47UF 16WV		
C221-223			CK73FB1H102K	CHIP C 1000PF K		
C224			C92-0513-05	CHIP-TAN 3.3UF 6.3WV		
C225-227			CK73FB1H102K	CHIP C 1000PF K		
C228			C92-0003-05	CHIP TAN 0.47UF 25WV		
C229			CK73FB1E104K	CHIP C 0.10UF K		

E: Scandinavia & Europe K: USA P: Canada W: Europe

U: PX(Far East, Hawaii) T: England M: Other Areas

UE: AAFES(Europe) X: Australia

⚠ indicates safety critical components.

PARTS LIST

* New Parts

Parts without Parts No. are not supplied.

Les articles non mentionnés dans le Parts No. ne sont pas fournis.

Teile ohne Parts No. werden nicht geliefert.

TX-RX UNIT (X57-3850-XX)

Ref. No. 参照番号	Address 位置	New Parts 新	Parts No. 部品番号	Description 部品名/規格	Desti- nation 仕向	Re- marks 備考
C230			CK73FB1H102K	CHIP C 1000PF K		
C231			CK73FB1E104K	CHIP C 0.10UF K		
C232			CK73FB1H102K	CHIP C 1000PF K		
C233			CK73FB1E104K	CHIP C 0.10UF K		
C234			CK73FB1H102K	CHIP C 1000PF K		
TC1			C05-0348-05	TRIM CAP 10PF		
CN1			E40-3237-05	PIN CONNECTOR(SP)		
CN2			E40-5183-05	PIN CONNECTOR(DTMF)		
CN3 ,4			E40-5202-05	PIN CONNECTOR(13P)		
CN7 ,8			E40-5328-05	PIN CONNECTOR(3P)		
CN201, 202			E40-5203-05	PIN CONNECTOR(13P)		
CN203			E40-3485-05	PIN CONNECTOR(LCD)		
CN204			E40-5187-05	PIN CONNECTOR(OPTION)		
J1			E11-0425-05	PHONE JACK		
J4 ,5			E18-0254-05	SOCKET		
J201			E08-0673-05	RECTANGULAR RECEPTACLE(MIC)		
TP1			E40-0211-05	PIN CONNECTOR		
TP2 -4			E23-0465-05	TERMINAL		
W1			E33-1902-05	FINISHED WIRE SET(HBT)		
			J30-0545-05	SPACER		
CD1			L79-1013-05	FILTER (CDBM455C16)		
CF1			L72-0372-05	CERAMIC FILTER(CFWM455F)		
L1			L79-0877-05	HELICAL RESONATOR(455MHZ)	KM	
L1			L79-0879-05	HELICAL RESONATOR(480MHZ)	K2M2	
L1			L79-0881-05	HELICAL RESONATOR(505MHZ)	K3M3	
L1			L79-0883-05	HELICAL RESONATOR(415MHZ)	K4M4	
L2			L40-1872-80	SMALL FIXED INDUCTOR(18NH)		
L3			L40-1072-80	SMALL FIXED INDUCTOR(10NH)		
L4			L79-0878-05	HELICAL RESONATOR(455MHZ)	KM	
L4			L79-0880-05	HELICAL RESONATOR(480MHZ)	K2M2	
L4			L79-0882-05	HELICAL RESONATOR(505MHZ)	K3M3	
L4			L79-0884-05	HELICAL RESONATOR(415MHZ)	K4M4	
L5			L40-1072-80	SMALL FIXED INDUCTOR(10NH)	K2M2	
L5			L40-1272-48	SMALL FIXED INDUCTOR(12NH)	K3M3	
L5			L40-1872-80	SMALL FIXED INDUCTOR(18NH)	KM	
L5			L40-2272-80	SMALL FIXED INDUCTOR(22NH)	K4M4	
L6			L40-1872-80	SMALL FIXED INDUCTOR(18NH)		
L7			L34-2157-05	COIL	K2M2	
L7			L34-2157-05	COIL	K4M4	
L7			L34-4191-05	COIL	KMK3M3	
L8			L40-1092-81	SMALL FIXED INDUCTOR(1UH)		
L10			L40-2272-80	SMALL FIXED INDUCTOR(22NH)		
L11			L34-0908-05	COIL (9.5T)		
L12			L34-1052-05	COIL (1.5T)	K3M3	
L12			L34-1185-05	COIL (2.5T)	KMK2M2	
L12			L34-1185-05	COIL	K4M4	
L13			L34-1032-05	COIL (3.5T)		
L14			L34-1052-05	COIL (1.5T)	KMK2M2	
L14			L34-1052-05	COIL (1.5T)	K4M4	
L14			L34-1083-05	COIL (1T)	K3M3	
L15			L34-0908-05	COIL (9.5T)		
L16			L34-1052-05	COIL (1.5T)	KMK2M2	
L16			L34-1052-05	COIL (1.5T)	K4M4	

E: Scandinavia & Europe K: USA P: Canada W: Europe

U: PX(Far East, Hawaii) T: England M: Other Areas

UE: AAFES(Europe) X: Australia

▲ indicates safety critical components.

PARTS LIST

* New Parts

Parts without Parts No. are not supplied.

Les articles non mentionnés dans le Parts No. ne sont pas fournis.

Teile ohne Parts No. werden nicht geliefert.

TX-RX UNIT (X57-3850-XX)

Ref. No. 参照番号	Address 位置	New Parts 新	Parts No. 部品番号	Description 部品名 / 規格	Desti- nation 仕 向	Re- marks 備考
L16			L34-1083-05	COIL (1T)	K3M3	
L17			L40-1001-17	SMALL FIXED INDUCTOR(10UH)	K3M3	
L201, 202			L92-0131-05	FERRITE CHIP COIL		
X1			L77-1419-05	CRYSTAL RESONATOR(30.755MHZ)	K2M2	
X1			L77-1419-05	CRYSTAL RESONATOR(30.755MHZ)	K4M4	
X1			L77-1420-05	CRYSTAL RESONATOR(33.845MHZ)	KM	
X1			L77-1421-05	CRYSTAL RESONATOR(34.755MHZ)	K3M3	
X3		*	L77-1451-05	TCXO (12.8MHZ)		
X201			L77-1435-05	CRYSTAL RESONATOR(12MHZ)		
X202			L77-1397-05	CRYSTAL RESONATOR(4.19MHZ)		
XF1			L71-0294-05	MCF (30.3MHZ)	K2M2	
XF1			L71-0294-05	MCF (30.3MHZ)	K4M4	
XF1			L71-0296-05	MCF (34.3MHZ)	KM	
XF1			L71-0296-05	MCF (34.3MHZ)	K3M3	
R1			RK73FB2A333J	CHIP R 33K J 1/10W		
R2			RK73FB2A104J	CHIP R 100K J 1/10W		
R3			RK73FB2A333J	CHIP R 33K J 1/10W		
R4 ,5			RK73FB2A101J	CHIP R 100 J 1/10W		
R6			RK73FB2A223J	CHIP R 22K J 1/10W		
R7			RK73FB2A102J	CHIP R 1.0K J 1/10W		
R8			R92-0670-05	CHIP R 0 OHM		
R9 ,10			RK73FB2A102J	CHIP R 1.0K J 1/10W		
R11			RK73FB2A221J	CHIP R 220 J 1/10W		
R12			RK73FB2A222J	CHIP R 2.2K J 1/10W		
R13			RK73FB2A470J	CHIP R 47 J 1/10W		
R14			R92-0670-05	CHIP R 0 OHM		
R15			RK73FB2A101J	CHIP R 100 J 1/10W		
R16			RK73FB2B221J	CHIP R 220 J 1/8W		
R17			RK73FB2A102J	CHIP R 1.0K J 1/10W		
R18			RK73FB2A334J	CHIP R 330K J 1/10W		
R19			RK73FB2A102J	CHIP R 1.0K J 1/10W		
R20			RK73FB2A153J	CHIP R 15K J 1/10W		
R21			RK73FB2A104J	CHIP R 100K J 1/10W		
R22			RK73FB2A273J	CHIP R 27K J 1/10W		
R23			RK73FB2A103J	CHIP R 10K J 1/10W		
R24			R92-1220-05	FIXED RESISTOR 1 OHM		
R25			RK73FB2A101J	CHIP R 100 J 1/10W		
R26			R92-0670-05	CHIP R 0 OHM		
R27 ,28			RK73FB2A473J	CHIP R 47K J 1/10W		
R29			RK73FB2A333J	CHIP R 33K J 1/10W		
R30			RK73FB2A473J	CHIP R 47K J 1/10W		
R32			RK73FB2A222J	CHIP R 2.2K J 1/10W		
R33 ,34			RK73FB2A022J	CHIP R 8.2K J 1/10W		
R35			RK73FB2A222J	CHIP R 2.2K J 1/10W		
R36			RK73FB2A182J	CHIP R 1.8K J 1/10W		
R37 -39			RK73FB2A103J	CHIP R 10K J 1/10W		
R40			RK73FB2A182J	CHIP R 1.8K J 1/10W		
R41			RK73FB2A334J	CHIP R 330K J 1/10W		
R42 ,43			RK73FB2A223J	CHIP R 22K J 1/10W		
R44			RK73FB2A473J	CHIP R 47K J 1/10W		
R47			RK73FB2A103J	CHIP R 10K J 1/10W		
R48			RK73FB2A102J	CHIP R 1.0K J 1/10W		
R49			RK73FB2A103J	CHIP R 10K J 1/10W		
R50			RK73FB2A472J	CHIP R 4.7K J 1/10W		

E: Scandinavia & Europe K: USA P: Canada W: Europe

U: PX(Far East, Hawaii) T: England M: Other Areas

UE: AAFES(Europe) X: Australia

▲ indicates safety critical components.

PARTS LIST

× New Parts

Parts without Parts No. are not supplied.

Les articles non mentionnés dans le Parts No. ne sont pas fournis.

Teile ohne Parts No. werden nicht geliefert.

TX-RX UNIT (X57-3850-XX)

Ref. No. 参照番号	Address 位置	New Parts 新	Parts No. 部品番号	Description 部品名 / 規格	Desti- nation 仕 向	Re- marks 備考
R51			R92-0670-05	CHIP R 0 0HM		
R53			R92-0670-05	CHIP R 0 0HM		
R55			R92-0670-05	CHIP R 0 0HM		
R56 ,57			RK73FB2A103J	CHIP R 10K J 1/10W		
R62			RK73FB2A331J	CHIP R 330 J 1/10W	KMK2M2	
R62			RK73FB2A331J	CHIP R 330 J 1/10W	K4M4	
R63			RK73FB2A220J	CHIP R 22 J 1/10W		
R64			RK73FB2A102J	CHIP R 1.0K J 1/10W		
R65			R92-0670-05	CHIP R 0 0HM		
R66			RK73FB2A122J	CHIP R 1.2K J 1/10W		
R67			RK73FB2A220J	CHIP R 22 J 1/10W		
R68			RK73FB2A222J	CHIP R 2.2K J 1/10W		
R69			RK73FB2A472J	CHIP R 4.7K J 1/10W		
R70 ,71			RK73FB2A101J	CHIP R 100 J 1/10W		
R72			RK73FB2A102J	CHIP R 1.0K J 1/10W		
R73			RK73FB2A222J	CHIP R 2.2K J 1/10W		
R74			R92-0670-05	CHIP R 0 0HM		
R75 ,76			RK73FB2A100J	CHIP R 10 J 1/10W		
R77			RK73FB2A104J	CHIP R 100K J 1/10W		
R78			RK73FB2A102J	CHIP R 1.0K J 1/10W		
R79			RK73FB2A5R6J	CHIP R 5.6 J 1/10W		
R80			R92-0685-05	CHIP R 22 J 1/2W	KMK2M2	
R80			R92-0685-05	CHIP R 22 J 1/2W	K3M3	
R80			R92-0699-05	SOLID 10 1/2W	K4M4	
R81			RK73FB2A102J	CHIP R 1.0K J 1/10W		
R82			R92-0679-05	CHIP R 0 0HM	K4M4	
R83 ,84			R92-0679-05	CHIP R 0 0HM	KMK2M2	
R83 ,84			R92-0679-05	CHIP R 0 0HM	K3M3	
R85			R92-1214-05	CHIP R 120 J 1/2W		
R86			R92-1215-05	CHIP R 470 J 1/2W		
R87 -89			RK73FB2A103J	CHIP R 10K J 1/10W		
R90			RK73FB2A473J	CHIP R 47K J 1/10W		
R91			RK73FB2A273J	CHIP R 27K J 1/10W		
R92			RK73FB2A273J	CHIP R 27K J 1/10W	K2M2	
R92			RK73FB2A683J	CHIP R 68K J 1/10W	KK3K4	
R92			RK73FB2A683J	CHIP R 68K J 1/10W	MM3M4	
R93			RK73FB2A103J	CHIP R 10K J 1/10W		
R95 ,96			RK73FB2A472J	CHIP R 4.7K J 1/10W		
R97			RK73FB2A102J	CHIP R 1.0K J 1/10W		
R99			RK73FB2A273J	CHIP R 27K J 1/10W		
R100,101			R92-0670-05	CHIP R 0 0HM		
R102			RK73FB2A472J	CHIP R 4.7K J 1/10W		
R103			RK73FB2A332J	CHIP R 3.3K J 1/10W		
R104			RK73FB2A681J	CHIP R 680 J 1/10W		
R105			RK73FB2A473J	CHIP R 47K J 1/10W		
R106			RK73FB2A102J	CHIP R 1.0K J 1/10W		
R202			RK73FB2A473J	CHIP R 47K J 1/10W		
R203			RK73FB2A223J	CHIP R 22K J 1/10W		
R204			RK73FB2A474J	CHIP R 470K J 1/10W		
R205,206			RK73FB2A103J	CHIP R 10K J 1/10W		
R207			RK73FB2A393J	CHIP R 39K J 1/10W		
R208,209			RK73FB2A224J	CHIP R 220K J 1/10W		
R210			RK73FB2A563J	CHIP R 56K J 1/10W		
R211			RK73FB2A103J	CHIP R 10K J 1/10W		
R212			RK73FB2A183J	CHIP R 18K J 1/10W		

E: Scandinavia & Europe K: USA P: Canada W: Europe

U: PX(Far East, Hawaii) T: England M: Other Areas

UE: AAFES(Europe) X: Australia

⚠ indicates safety critical components.

PARTS LIST

× New Parts

Parts without Parts No. are not supplied.

Les articles non mentionnés dans le Parts No. ne sont pas fournis.

Teile ohne Parts No. werden nicht geliefert.

TX-RX UNIT (X57-3850-XX)

Ref. No. 参照番号	Address 位置	New Parts 新	Parts No. 部品番号	Description 部品名 / 規格	Desti- nation 仕向	Re- marks 備考
R213			RK73FB2A824J	CHIP R 820K J 1/10W		
R214			R92-0670-05	CHIP R 0 ΩHM		
R216			RK73FB2A682J	CHIP R 6.8K J 1/10W		
R217, 218			RK73FB2A103J	CHIP R 10K J 1/10W		
R219			RK73FB2A105J	CHIP R 1.0M J 1/10W		
R220, 221			RK73FB2A103J	CHIP R 10K J 1/10W		
R222			R92-0670-05	CHIP R 0 ΩHM		
R223, 224			RK73FB2A223J	CHIP R 22K J 1/10W		
R225, 226			RK73FB2A472J	CHIP R 4.7K J 1/10W		
R227-231			RK73FB2A473J	CHIP R 47K J 1/10W		
R232			RK73FB2A472J	CHIP R 4.7K J 1/10W		
R233			RK73FB2A473J	CHIP R 47K J 1/10W		
R235			RK73FB2A473J	CHIP R 47K J 1/10W	KMK3M3	
R236			RK73FB2A473J	CHIP R 47K J 1/10W		
R238			R92-0670-05	CHIP R 0 ΩHM		
R239			R92-0670-05	CHIP R 0 ΩHM		
R239			R92-0670-05	CHIP R 0 ΩHM		K2K4 M2M4
R241			RK73FB2A473J	CHIP R 47K J 1/10W		K2K3K4
R241			RK73FB2A473J	CHIP R 47K J 1/10W		M2M3M4
R243			R92-0670-05	CHIP R 0 ΩHM		KM
R244			R92-0670-05	CHIP R 0 ΩHM		
R245-250			RK73FB2A473J	CHIP R 47K J 1/10W		
R251			RK73FB2A103J	CHIP R 10K J 1/10W		
R252			RK73FB2A473J	CHIP R 47K J 1/10W		
R253, 254			RK73FB2A102J	CHIP R 1.0K J 1/10W		
R255, 256			RK73FB2A473J	CHIP R 47K J 1/10W		
R257, 258			R92-0670-05	CHIP R 0 ΩHM		
R259			R92-0679-05	CHIP R 0 ΩHM		
R260, 261			RK73FB2A473J	CHIP R 47K J 1/10W		
R262			RK73FB2A103J	CHIP R 10K J 1/10W		
R263			RK73FB2A473J	CHIP R 47K J 1/10W		
R264			RK73FB2A153J	CHIP R 15K J 1/10W		
R265			RK73FB2A682J	CHIP R 6.8K J 1/10W		
R266			RK73FB2A152J	CHIP R 1.5K J 1/10W	KMK2M2	
R266			RK73FB2A152J	CHIP R 1.5K J 1/10W	K3M3	
R266			RK73FB2A272J	CHIP R 2.7K J 1/10W	K4M4	
R267-271			RK73FB2A222J	CHIP R 2.2K J 1/10W	KMK2M2	
R267-271			RK73FB2A222J	CHIP R 2.2K J 1/10W	K3M3	
R267-271			RK73FB2A472J	CHIP R 4.7K J 1/10W	K4M4	
R279			RK73FB2A473J	CHIP R 47K J 1/10W		
R280			RK73FB2A105J	CHIP R 1.0M J 1/10W		
R285			R92-0670-05	CHIP R 0 ΩHM		
VR1			R12-3132-05	TRIM PØT. 47K		
VR2			R12-6423-05	TRIM PØT. 10K		
VR3			R12-6426-05	TRIM PØT. 33K		
VR4			R12-5058-05	TRIM PØT. 100K		
VR5			R12-3126-05	TRIM PØT. 10K		
VR6			R12-3099-05	TRIM PØT. 47K		
VR7			R12-6427-05	TRIM PØT. 47K		
VR201			R05-3452-05	AF VØL(10K)A		
S201-205			S40-1086-05	TAKT SWITCH(MØNI, AUX, REC, SCAN,		
S206			S40-2440-15	PUSH SWITCH(POWER)		
D1			MI308	DIØDE		
D2 -4			1S5184	DIØDE		

E: Scandinavia & Europe K: USA P: Canada W: Europe

U: PX(Far East, Hawaii) T: England M: Other Areas

UE: AAFES(Europe) X: Australia

⚠ indicates safety critical components.

PARTS LIST

× New Parts

Parts without Parts No. are not supplied.

Les articles non mentionnés dans le Parts No. ne sont pas fournis.

Teile ohne Parts No. werden nicht geliefert.

TX-RX UNIT (X57-3850-XX)

PLL (X58-3700-XX)

Ref. No. 参照番号	Address 位置	New Parts 新	Parts No. 部品番号	Description 部品名 / 規格	Desti- nation 仕 向	Re- marks 備考
D6			DAN235(K)	DIODE		
D7			1SS181	DIODE		
D8			MI407	DIODE		
D9			MI308	DIODE		
D10 ,11			MA716	DIODE		
D12			DSA3A1	DIODE		
D13			1SS196	DIODE		
D14			1SS226	DIODE		
D15			ERZ-M10DK220	SERGE ABSORBER		
D16			1SS181	DIODE		
D202			1SS226	DIODE		
D203			1SS184	DIODE		
D205			MA716	DIODE		
IC1			KC004	HIC (FM-IF)		
IC2			UPC1241H	IC(AF POWER AMP)		
IC3			KCA03	HIC (MICAMP)		
IC4			NJM76L05UA	IC(VOLTAGE REGULATOR/+5V)		
IC5			LA5010M	IC(LOW SATURATION REGULATOR)		
IC6			KCB06	HIC (DRIVE)		
IC7			MC7808CT	IC(VOLTAGE REGULATORS/ +8V)		
IC201,202			NJM4558M	IC(OP AMP X2)		
IC203		*	78312AGF323-3BE	IC (SIGNALING CPU)		
IC204		*	75112GF-672-3BE	IC (MAIN CPU)		
IC205			CAT35C102KI	IC (EEPROM)		
IC206		*	L78LR05B-FA	IC(VOLTAGE REGULATOR/+5V)		
Q1 ,2			3SK184(S)	FET		
Q3			2SC2714(Y)	TRANSISTOR		
Q4			2SD1757K	TRANSISTOR		
Q5 ,6			2SB1119S	TRANSISTOR		
Q7			DTC114WK	DIGITAL TRANSISTOR		
Q8			DTC144WK	DIGITAL TRANSISTOR		
Q9 ,10			2SC2712(Y)	TRANSISTOR		
Q11 ,12			2SD1757K	TRANSISTOR		
Q13			2SC2712(Y)	TRANSISTOR		
Q14			2SC2759(U23)	TRANSISTOR		
Q15			2SD1406(Y)	TRANSISTOR		
Q16			2SB1302S	TRANSISTOR		
Q17			DTC114WK	DIGITAL TRANSISTOR		
Q18			DTC144EK	DIGITAL TRANSISTOR		
Q201			DTC144EK	DIGITAL TRANSISTOR		
Q202			DTC114EK	DIGITAL TRANSISTOR		
Q203			2SK208(Y)	FET		
S207			W02-0866-05	ENCODER		
Z1			X59-3740-11	SUB UNIT(HPF)		
Z2			X58-3700-10	SUB UNIT(PLL)	KM	
Z2			X58-3700-11	SUB UNIT(PLL)	K2M2	
Z2			X58-3700-12	SUB UNIT(PLL)	K3M3	
Z2			X58-3700-13	SUB UNIT(PLL)	K4M4	
Z3			X59-3130-00	SUB UNIT(APC)		
PLL (X58-3700-XX) -10 : K,M -11 : K2,M2 -12 : K3,M3 -13 : K4,M4						
C1			CK73FB1H223K	CHIP C 0.022UF K		
C4			CK73FB1H102K	CHIP C 1000PF K		
C5			CK73EB1H603K	CHIP C 0.068UF K		

E: Scandinavia & Europe K: USA P: Canada W: Europe

U: PX(Far East, Hawaii) T: England M: Other Areas

UE: AAFES(Europe) X: Australia

▲ indicates safety critical components.

PARTS LIST

× New Parts

Parts without Parts No. are not supplied.

Les articles non mentionnés dans le Parts No. ne sont pas fournis.

Teile ohne Parts No. werden nicht geliefert.

PLL (X58-3700-XX)

Ref. No. 参照番号	Address 位置	New Parts 新	Parts No. 部品番号	Description 部品名 / 規格	Desti- nation 仕向	Re- marks 備考
C6 ,7			CK73FB1H223K	CHIP C 0.022UF K		
C9			C92-0512-05	CHIP TAN 1UF 16WV		
C10			C92-0002-05	CHIP TAN 0.22UF 35WV		
C11			CK73FB1H223K	CHIP C 0.022UF K		
C12			CC73FCH1H100D	CHIP C 10PF D		
C13			CK73FB1H223K	CHIP C 0.022UF K		
C14			CC73FCH1H040C	CHIP C 4PF C		
C15			CK73FB1H102K	CHIP C 1000PF K		
C16 ,17			CC73FSL1H101J	CHIP C 100PF J		
C101			CK73FB1H102K	CHIP C 1000PF K		
C102			CK73FB1H471K	CHIP C 470PF K		
C103			CC73FCH1H120J	CHIP C 12PF J	K3M3	
C103			CC73FCH1H150J	CHIP C 15PF J	K2M2	
C103			CC73FCH1H180J	CHIP C 18PF J	KM	
C103			CC73FCH1H270J	CHIP C 27PF J	K4M4	
C104			CC73FCH1H010C	CHIP C 1PF C	KM	
C104			CC73FCH1H040C	CHIP C 4PF C	K2M2K3	
C104			CC73FCH1H040C	CHIP C 4PF C	M3K4M4	
C105			CC73FCH1H010C	CHIP C 1PF C	KM	
C105			CC73FCH1H060D	CHIP C 6PF D	K3M3	
C105			CC73FCH1H080D	CHIP C 8PF D	K4M4	
C105			CC73FCH1H100D	CHIP C 10PF D	K2M2	
C106			CC73FCH1H010C	CHIP C 1PF C		
C107			CC73FCH1HR75C	CHIP C 0.75PF C		
C108			CC73FCH1HOR5C	CHIP C 0.5PF C	K2M2K3	
C108			CC73FCH1HOR5C	CHIP C 0.5PF C	M3K4M4	
C109			CC73FCH1H080D	CHIP C 8PF D	K2M2	
C109			CC73FCH1H080D	CHIP C 8PF D	K3M3	
C109			CC73FCH1H090D	CHIP C 9PF D	KMK4M4	
C110			CC73FCH1H080D	CHIP C 8PF D	K4M4	
C110			CC73FCH1H080D	CHIP C 8PF D	KMK2M2	
C111			CC73FCH1HOR5C	CHIP C 0.5PF C		
C112			CC73FCH1H040C	CHIP C 4PF C		
C113, 114			CK73FB1H102K	CHIP C 1000PF K		
C116			CC73FCH1H010C	CHIP C 1PF C	KMK2M2	
C116			CC73FCH1H010C	CHIP C 1PF C	K3M3	
CN1			E40-5201-05	PIN CONNECTOR (7P)		
CN101			E40-0411-05	PIN CONNECTOR (4P)		
CN102			E40-0311-05	PIN CONNECTOR (3P)		
			F11-1122-14	SHIELDING COVER		
L1			L40-3972-80	SMALL FIXED INDUCTOR (39NH)		
L101, 102			L40-8282-19	SMALL FIXED INDUCTOR (0.82UH)		
L103			L34-2310-05	COIL	K4M4	
L103			L34-2333-05	COIL	K3M3	
L103			L34-2348-05	COIL	KM	
L103			L34-2349-05	COIL	K2M2	
L104, 105			L40-8282-19	SMALL FIXED INDUCTOR (0.82UH)		
L106			L40-3972-80	SMALL FIXED INDUCTOR (39NH)		
R1 ,2			RK73FB2A473J	CHIP R 47K J 1/10W		
R3			RK73FB2A392J	CHIP R 3.9K J 1/10W		
R4			RK73FB2A332J	CHIP R 3.3K J 1/10W		
R5			RK73FB2A221J	CHIP R 220 J 1/10W		
R6			RK73FB2A222J	CHIP R 2.2K J 1/10W		

E: Scandinavia & Europe K: USA P: Canada W: Europe

U: PX(Far East, Hawaii) T: England M: Other Areas

UE: AAFES(Europe) X: Australia

▲ indicates safety critical components.

PARTS LIST

※ New Parts

Parts without Parts No. are not supplied.

Les articles non mentionnés dans le Parts No. ne sont pas fournis.

Teile ohne Parts No. werden nicht geliefert.

PLL (X58-3700-XX)

APC (X59-3130-00)

HPF (X59-3740-11)

Ref. No. 参照番号	Address 位置	New Parts 新	Parts No. 部品番号	Description 部品名 / 規格	Desti- nation 仕 向	Re- marks 備考
R7			RK73FB2A474J	CHIP R 470K J 1/10W		
R8			RK73FB2A682J	CHIP R 6.8K J 1/10W		
R9			RK73FB2A822J	CHIP R 8.2K J 1/10W		
R10 -12			RK73FB2A473J	CHIP R 47K J 1/10W		
R14			RK73FB2A331J	CHIP R 330 J 1/10W		
R15			RK73FB2A472J	CHIP R 4.7K J 1/10W		
R16			RK73FB2A222J	CHIP R 2.2K J 1/10W		
R17			RK73FB2A103J	CHIP R 10K J 1/10W		
R20			R92-0679-05	CHIP R 0 0HM		
R101			R92-0670-05	CHIP R 0 0HM		
R102			RK73FB2A102J	CHIP R 1.0K J 1/10W		
R103			RK73FB2A683J	CHIP R 68K J 1/10W		
R104			RK73FB2A100J	CHIP R 10 J 1/10W		
R104			RK73FB2A270J	CHIP R 27 J 1/10W		K3M3
R104			RK73FB2A270J	CHIP R 27 J 1/10W		K4M4
R106			RK73FB2A560J	CHIP R 56 J 1/10W		
R107			RK73FB2A470J	CHIP R 47 J 1/10W		
R108			RK73FB2A392J	CHIP R 3.9K J 1/10W		
R109			RK73FB2A103J	CHIP R 10K J 1/10W		
R110			RK73FB2A101J	CHIP R 100 J 1/10W		
D101, 102			1T33C	DIODE		
D103			1SV164	DIODE		
IC1			M54959FP	IC(FREQ SYNTHESIZER PLL)		
Q1 -3			2SC3324(B)	TRANSISTOR		
Q4			DTC144EK	DIGITAL TRANSISTOR		
Q5			2SC2714(Y)	TRANSISTOR		
Q101			2SK582	FET		
Q102			2SC3120	TRANSISTOR		
APC (X59-3130-00)						
C1			CK73FB1H102K	CHIP C 1000PF K		
C2			C92-0501-05	CHIP-TAN 1.5UF 6.3WV		
C3			CK73FB1H472K	CHIP C 4700PF K		
C4			CK73FB1H102K	CHIP C 1000PF K		
C5			CK73FB1H472K	CHIP C 4700PF K		
C6			CK73FB1H102K	CHIP C 1000PF K		
			E23-0471-05	TERMINAL		
R1			RD41FB2B222J	CARBON 2.2K J 1/8W		
R2			RD41FB2B102J	CARBON 1K J 1/8W		
R3			RD41FB2B152J	CARBON 1.5K J 1/8W		
R4 ,5			RD41FB2B103J	CARBON 10K J 1/8W		
R6			RD41FB2B122J	CARBON 1.2K J 1/8W		
Q1 ,2			FMW1	TRANSISTOR		
Q3			2SA1162(Y)	TRANSISTOR		
HPF (X59-3740-11)						
C1			CK73GB1B223K	CHIP C 0.022UF K		
C2 ,3			CK73GB1H472K	CHIP C 4700PF K		
C4 -6			CK73FB1H272K	CHIP C 2700PF K		
C7			CK73FB1H102K	CHIP C 1000PF K		
C8			CK73FB1H272K	CHIP C 2700PF K		
C10			CK73EF1C105Z	CHIP C 1.0UF Z		
			E23-0471-05	TERMINAL		

E: Scandinavia & Europe K: USA P: Canada W: Europe

U: PX(Far East, Hawaii) T: England M: Other Areas

UE: AAFES(Europe) X: Australia

▲ indicates safety critical components.

PARTS LIST

× New Parts

Parts without Parts No. are not supplied.

Les articles non mentionnés dans le Parts No. ne sont pas fournis.

Teile ohne Parts No. werden nicht geliefert.

HPF (X59-3740-11)

Ref. No. 参照番号	Address 位置	New Parts 新	Parts No. 部品番号	Description 部品名 / 规格	Desti- nation 仕向	Re- marks 備考
R1			RK73GB1J394J	CHIP R 390K J 1/16W		
R2			RK73GB1J681J	CHIP R 681 J 1/16W		
R3			RK73GB1J332J	CHIP R 3.3K J 1/16W		
R4			RK73GB1J823J	CHIP R 82K J 1/16W		
R5			RK73GB1J333J	CHIP R 33K J 1/16W		
R6 ,7			RK73GB1J824J	CHIP R 820K J 1/16W		
R8			RK73FB2A184G	CHIP R 180K G 1/10W		
R9			RK73FB2A564G	CHIP R 560K G 1/10W		
R10			RK73FB2A154G	CHIP R 150K G 1/10W		
R16			RK73GB1J122J	CHIP R 1.2K J 1/16W		
R17			R92-0670-05	CHIP R 0 0HM		
IC1			NJM4558M	IC(OP AMP X2)		
Q1			2SC2712(Y)	TRANSISTOR		

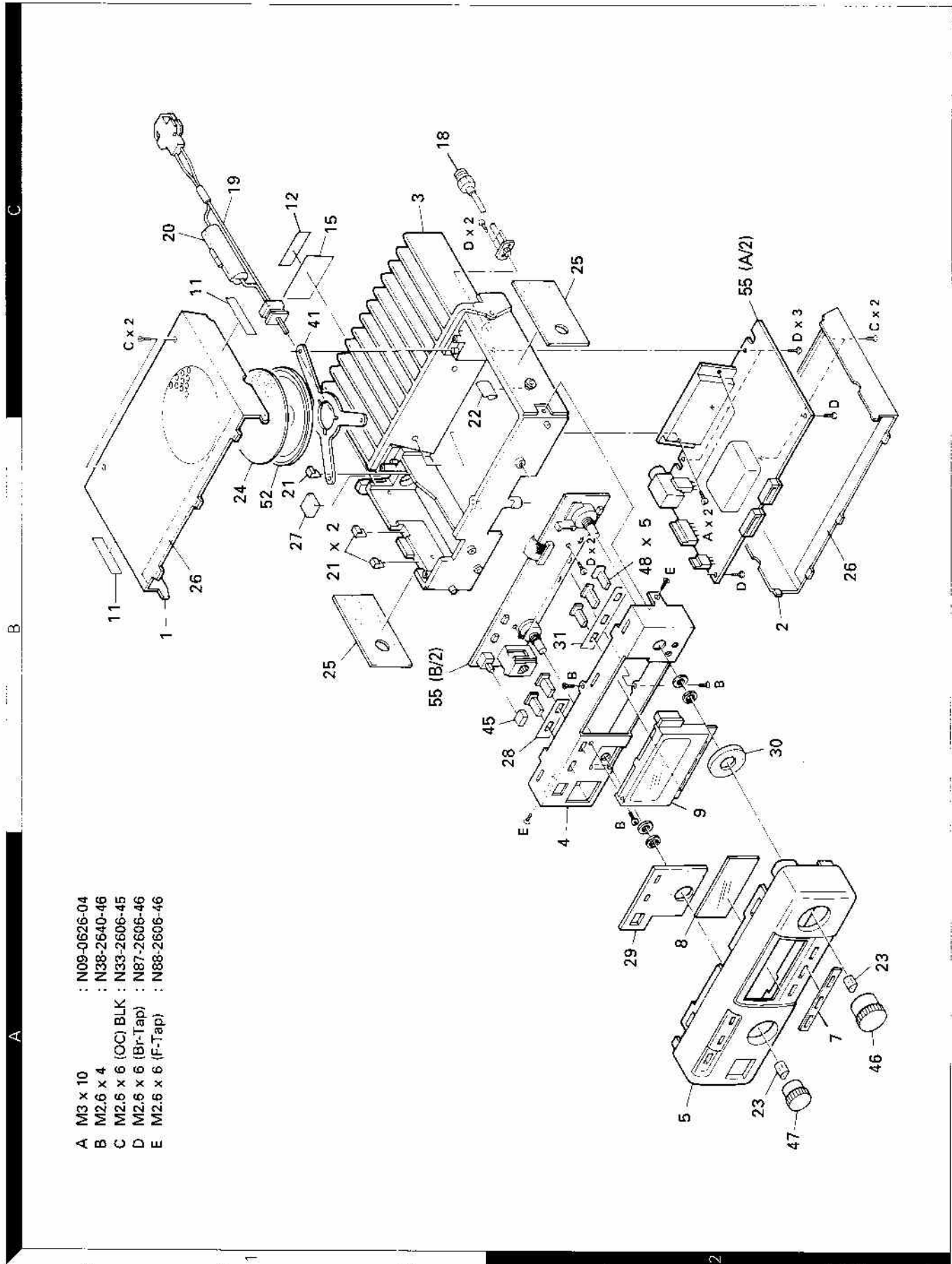
E: Scandinavia & Europe K: USA P: Canada W: Europe

U: PX(Far East, Hawaii) T: England M: Other Areas

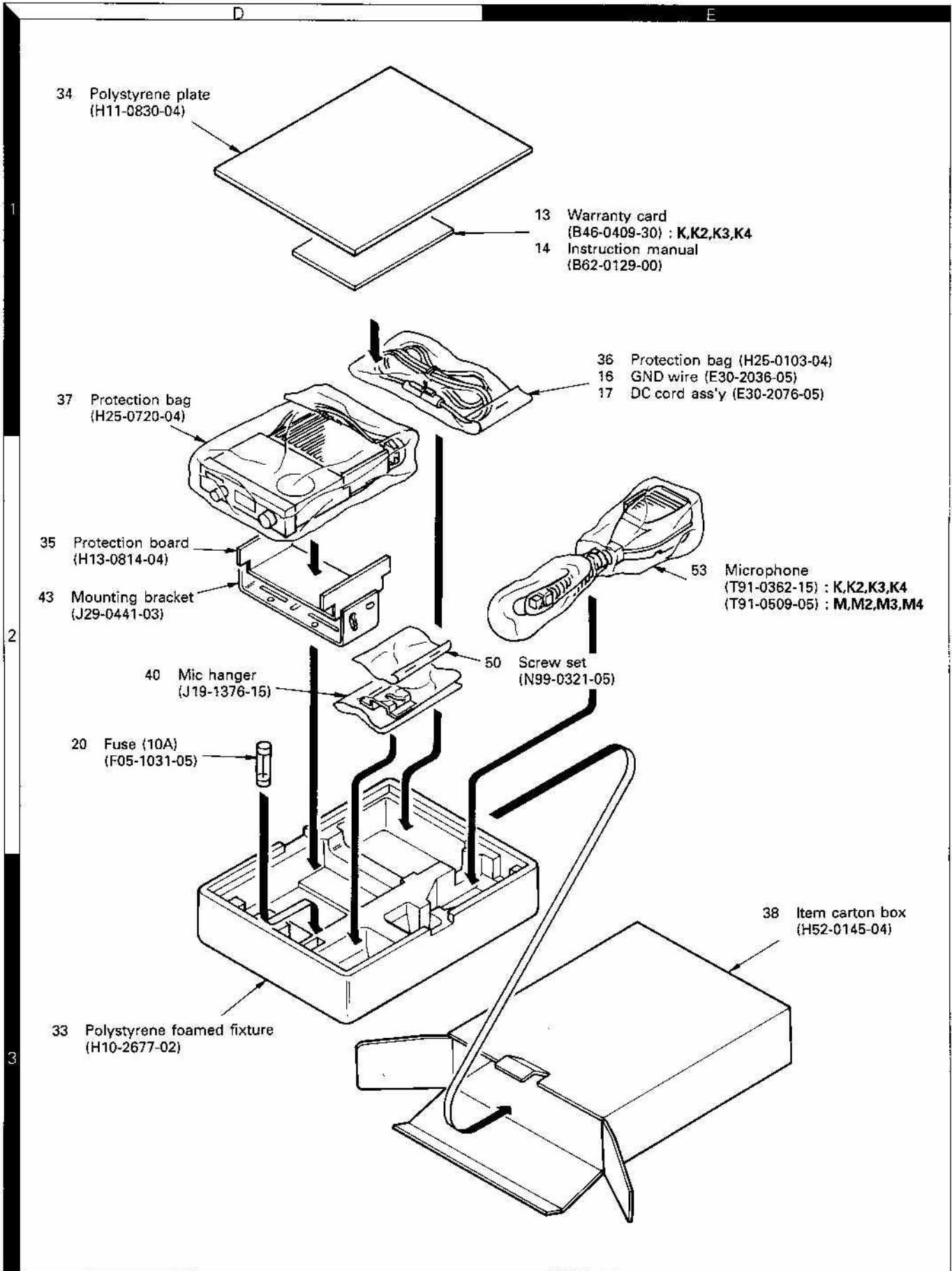
UE: AAFES(Europe) X: Australia

⚠ indicates safety critical components.

EXPLODED VIEW



PACKING



ADJUSTMENT

Test Equipment Required for Alignment

No.	Test Equipment	Major Specifications	
1	Standard Signal Generator (SSG)	Frequency Range Modulation Output	100 to 500MHz. Frequency modulation and external modulation. 0.1μV to greater than 1mV.
2	Power Meter	Input Impedance Operation Frequency Measurement Capability	50Ω. 100 to 500MHz or more. Vicinity of 60W.
3	Deviation Meter	Frequency Range	100 to 500MHz.
4	Digital Volt Meter (DVM)	Measuring Range Accuracy	1 to 30V DC. High input impedance for minimum circuit loading.
5	Oscilloscope		DC through 30MHz.
6	High Sensitivity Frequency Counter	Frequency Range Frequency Stability	10Hz to 500MHz. 0.2ppm or less.
7	Ammeter		15A.
8	AF Volt Meter (AFVTVM)	Frequency Range Voltage Range	50Hz to 10kHz. 3mV to 3V.
9	Audio Generator (AG)	Frequency Range Output	50Hz to 5kHz or more. 0 to 1V.
10	Distortion Meter	Capability Input Level	3% or less at 1kHz. 50mV to 10Vrms.
11	Voltmeter	Measuring Range Input Impedance	1.5 to 30V DC or less. 50kΩV or greater.
12	4Ω Dummy Load		Approx. 4Ω, 3W.
13	Regulated Power Supply		13.6V, approx. 15A (adjustable from 9 to 17V). Useful if ammeter equipped.
14	Tracking Generator		

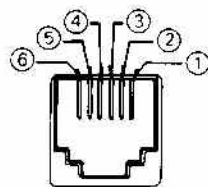
The set has been adjusted for the frequencies shown in the following table. When required, re-adjust them following the adjustment procedure to obtain the frequencies you want in actual operation.

	RX freq' fr() MHz			TX freq' fr() MHz		
	L	M	H	L	M	H
K,M	450.050	460.050	469.950	450.000	460.000	469.9875
K2,M2	470.050	480.050	489.950	470.000	480.000	489.9875
K3,M3	490.050	500.050	509.950	490.000	500.000	509.9875
K4	410.050	420.050	429.950	410.000	420.000	429.9875
M4	400.050	410.050	419.950	400.000	410.000	419.9875

L : Low freq' M : Mid freq' H : Hi freq'

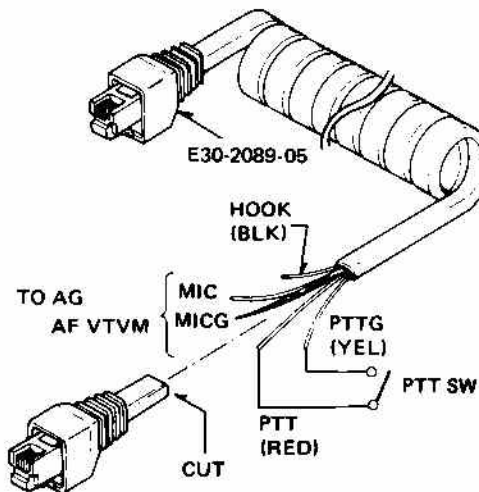
ON RADIO

MIC connector
front view



- ① SB +13,8
- ② PTTG
- ③ PTT
- ④ MICG
- ⑤ MIC
- ⑥ HOOK +5

• The following test cables are recommended.



Test cable for Microphone input

ADJUSTMENT

Common Section Adjustment

Item	Condition	Measurement			Adjustment			Specifications/Remarks
		Test-equipment	Unit	Terminal	Unit	Parts	Method	
1. Setting	1) Write in freq' and signaling data with EEPROM writer. Source voltage : DC 13.6V POWER SW : OFF VOL VR : Full counterclockwise (CCW). TX-RX unit VR1, 5 : CCW VR2-4, 6, 7 : Center							
2. PLL	RX	1) CH : Channel with lowest RX FREQ' (fRL).	DVM	TX-RX	TP3		Check	2.0~4.0V K,M 1.5~3.0V K2,M2,M4 1.5~3.5V K3,M3 3.0~5.0V K4
	TX	2) CH : Channel with lowest TX FREQ' (fTL). PTT : ON	Dummy	Rear panel	ANT		Check	7.0~9.0V K,,K4,M 6.0~8.5V K2,M2,M4 6.5~8.5V K3,M3
3. Transmit frequency adjustment	1) CH : Channel with TX center FREQ' (fTM). PTT : ON	f. counter Power meter	Rear panel	ANT		Check	±400Hz	

Receiver Section Adjustment

Item	Condition	Measurement			Adjustment			Specifications/Remarks
		Test-equipment	Unit	Terminal	Unit	Parts	Method	
1. Herical	1) Connect the tracking generator to ANT. Connect the spectrum analyzer to TP1.	Tracking generator Spectrum analyzer	TX-RX Rear panel	TP1 ANT	TX-RX	TC1 L1, 4	Check whether required band obtained at max. gain.	
2. GAIN	1) CH : Channel with RX center FREQ' (fRM). SSG output : -113dBm/0.5µV MOD : 1kHz DEV : 3kHz	DC V.M	TX-RX	TP2	TX-RX	L7	MAX. K2,K4,M2,M4 Turn twice the core of L7 counterclockwise from maximum level. K,K3,M,M3	
3. Receiving sensitivity	1) CH : Channel with RX center RX FREQ' (fRM). SSG output : -120dBm/0.6µV MOD : 1kHz DEV : ±3kHz MONI SW (\triangleleft / \triangle) : OFF	AF V.M Oscilloscope Distortion meter	Rear panel	SP			Check	SINAD 12dB or more.

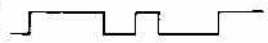
ADJUSTMENT

Item	Condition	Measurement			Adjustment			Specifications/Remarks
		Test-equipment	Unit	Terminal	Unit	Parts	Method	
4. Squelch	1) CH : Channel with RX center FREQ' (f _{RM}). MONI SW : ON SSG output : Turn the SSG output 3dB down so that the SINAD sensitivity becomes 12dB.	LCD			TX-RX	VR1	Set to the point at which squelch just close.	Busy indicator (ⓧ) should off.
	2) SSG output : OFF						Check	Squelch should close.
	3) SSG output : 0.25 μ V/-119dBm							Squelch should open.
5. Check decoder sensitivity for signaling squelch	1) CH : Set the channel selector to the channel with which QT, DQT is used. SSG FREQ' : Set it to the FREQ' of the channel mentioned above. SSG output : Turn the SSG output so that the SINAD sensitivity becomes 10dB.							
	2) SSG MOD SW : EXT. MOD AG1 FREQ' : 1kHz AG2 FREQ' : QT tone freq' or DQT code							
	3) AG1 : Power switch OFF. AG2 output : Adjust the output level of AG2 so that the SSG deviation becomes 0.75kHz.							
	4) AG1 : Power switch ON. AG1 output : Adjust the output level of AG1 so that the SSG deviation becomes 3.75kHz. (i.e., QT tone frequency or DQT code/0.75kHz deviation, +1kHz/3kHz deviation) MIC hook : ON hook MONI SW : OFF							
		Rear panel	EXT. SP				Check	Open.

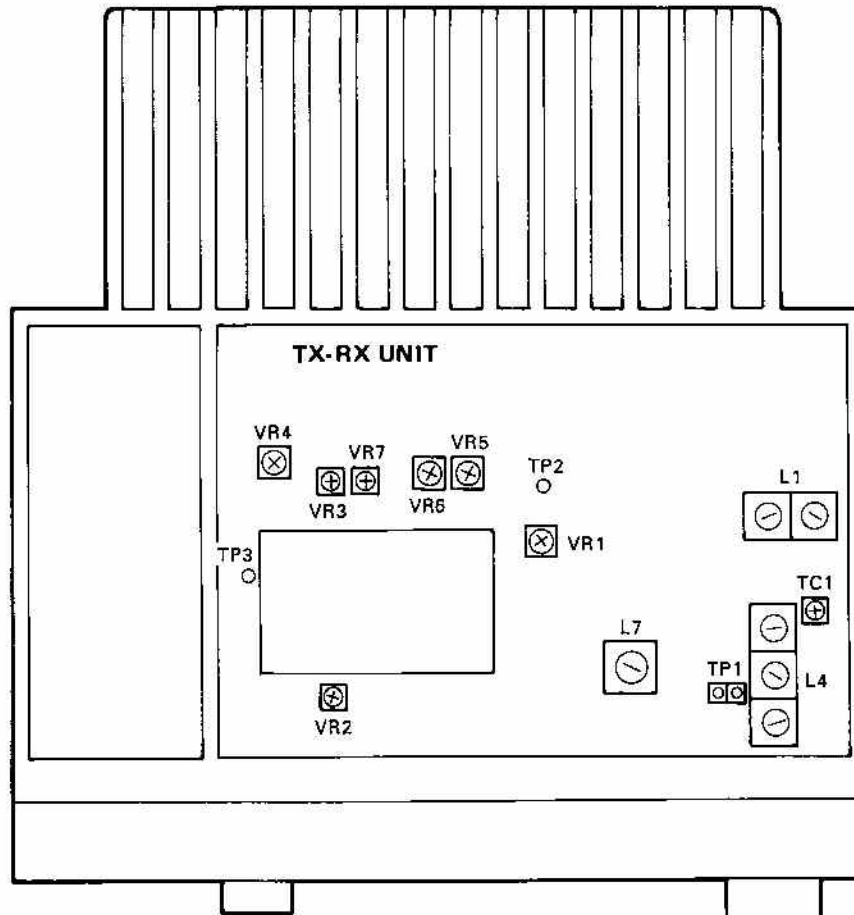
Transmitter Section Adjustment

Item	Condition	Measurement			Adjustment			Specifications/Remarks
		Test-equipment	Unit	Terminal	Unit	Parts	Method	
1. APC	1) CH : Channel with TX center FREQ' (f _{TM}). PTT : ON	Power meter Ammeter	Rear panel	ANT			Check	30W or more.
					TX-RX	VR5	27W	\pm 1W, 7.5A or less.

ADJUSTMENT

Item	Condition	Measurement			Adjustment			Specifications/Remarks
		Test-equipment	Unit	Terminal	Unit	Parts	Method	
2. DQT waveform correction	1) CH : Set the channel selector to the channel with which DQT is used. Deviation meter filter HPF : OFF LPF : 3kHz PTT : ON	Power meter Deviation meter Oscilloscope	Rear panel	ANT	TX-RX	VR7	Make the de-modulation waveform neat.	
3. QT	1) CH : Set the channel selector to the channel with which QT is used. Deviation meter filter HPF : OFF LPF : 3kHz De-emphasis : 750μs PTT : ON				TX-RX	VR6	±0.75kHz	
4. Maximum deviation adjustment	1) AG : 1kHz/50mV at MIC in Deviation meter filter HPF : OFF LPF : 15kHz De-emphasis : OFF PTT : ON	Front panel	MIC	TX-RX	VR4	±4.2kHz ADJ. (±4.9kHz ADJ. when using a QT/DQT) Adjust one more than the other by switching between -p and +p.	±100Hz	
5. MIC sensitivity adjustment	1) AG : 1kHz/5mV at MIC in PTT : ON				VR3	±3kHz ADJ. (±3.75kHz ADJ. when using a signaling)	±100Hz	

Adjustment Point (Top View)

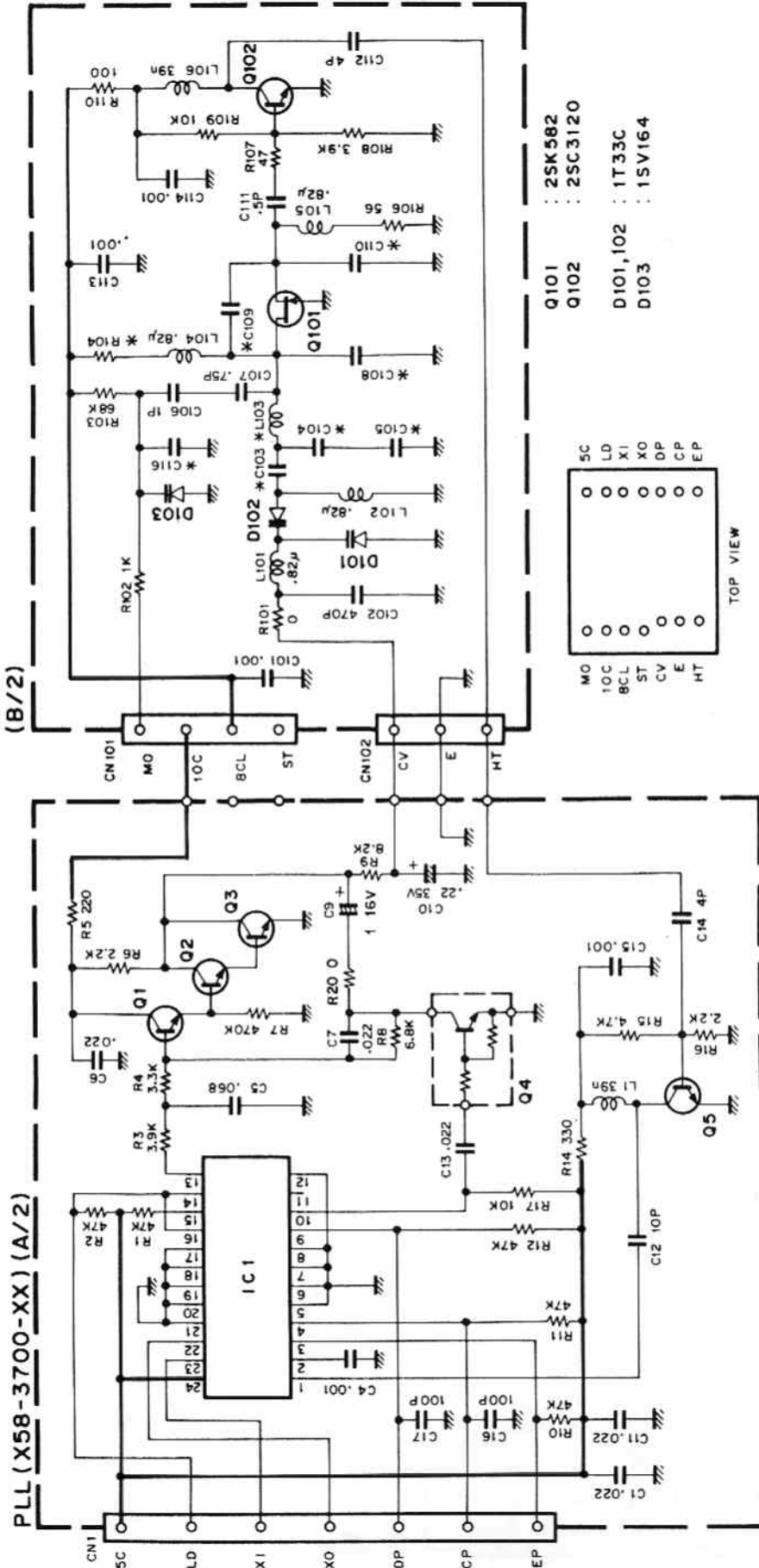


TERMINAL FUNCTIONS

Connector No.	Terminal No.	Terminal Name	Terminal Function
TX-RX UNIT (X57-3850-XX) (A/2)			
CN1	1	SP	Speaker input.
	2	E	GND.
CN2	1	SIG	Pre detection.
	2	ABTO	Transpond tone input during DTMF.
	3	E	GND.
	4	ALERT	Alert tone input during DTMF.
	5	DBD	Deadbeat disable input during DTMF.
	6	MIC MUTE	Pre microphone mute.
CN3	1	E	GND.
	2	EN	PLL enable input.
	3	CK	PLL clock input.
	4	DT	PLL data input.
	5	TX	TX control input.
	6	8C	Common +8V output.
	7	DET	RX detection signal output.
	8	SET	Function select output.
	9	SQ	Squelch adj. level setting output.
	10	UL	Unlock signal output.
	11	NC	Unused.
	12	RAD	RA or RD signal output.
	13	E	GND.
CN4	1	E	GND.
	2	B	+13.6V output.
	3	5C	+5V input (power switch control).
	4	MUTE	AF mute input.
	5	A1	AF signal output.
	6	BEEP	Beep input.
	7	SC	RA output mute control input.
	8	ME	MIC GND input.
	9	MIC	MIC signal input.
	10	TO	Sub tone input.
	11	NC	Unused.
	12	A2	AF signal input.
	13	E	GND.

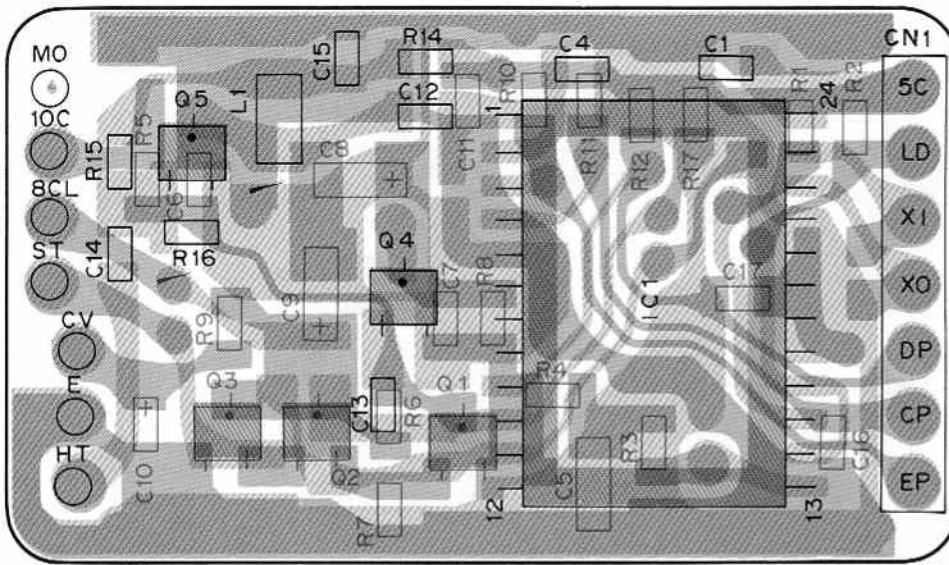
Connector No.	Terminal No.	Terminal Name	Terminal Function
TX-RX UNIT (X57-3850-XX) (B/2)			
CN201	1	E	GND.
	2	EN	PLL enable output.
	3	CK	PLL clock output.
	4	DT	PLL data output.
	5	TX	TX control output.
	6	8C	Common +8V input.
	7	DET	RX detection signal input.
	8	SET	Function select input.
	9	SQ	Squelch adj. level setting input.
	10	UL	Unlock signal input.
	11	NC	Unused.
	12	RAD	RA or RD signal input.
	13	E	GND.
CN202	1	E	GND.
	2	B	+13.6V input.
	3	5C	+5V output (power switch control).
	4	MUTE	AF mute output.
	5	A1	AF signal input.
	6	BEEP	Beep output.
	7	SC	RA output mute control output.
	8	ME	MIC GND output.
	9	MIC	MIC signal output.
	10	TO	Sub tone output.
	11	NC	Unused.
	12	A2	AF signal output.
	13	E	GND.
CN203	1	CE	Display enable.
	2	DT	Display data.
	3	CK	Display clock.
	4	E	GND.
	5	5C	Common +5V.
	6	8C	Common +8V.
CN204	1	PI1	See page 20.
	2	PO1	
	3	PO2	
	4	PO3	
	5	8C	
	6	PI2	
	7	5C	
	8	E	
	9	RAD	
	10	PO4	

PLL (X58-3700-XX) -10 : K,M -11 : K2,M2
 -12 : K3,M3 -13 : K4,M4



	C103	C104	C105	C108	C109	C110	C116	L103 (L34-XXXX-05)	R104
-10	18P	1P	1P	-	9P	8P	1P	2348	27
-11	15P	4P	10P	0.5P	8P	8P	1P	2349	27
-12	12P	4P	6P	0.5P	8P	6P	1P	2333	10
-13	27P	4P	8P	0.5P	9P	8P	-	2310	27

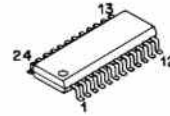
PLL (X58-3700-XX) (A/2) Component side view



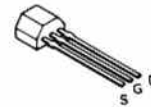
2SC2714
2SC3120
2SC3324
DTC144EK



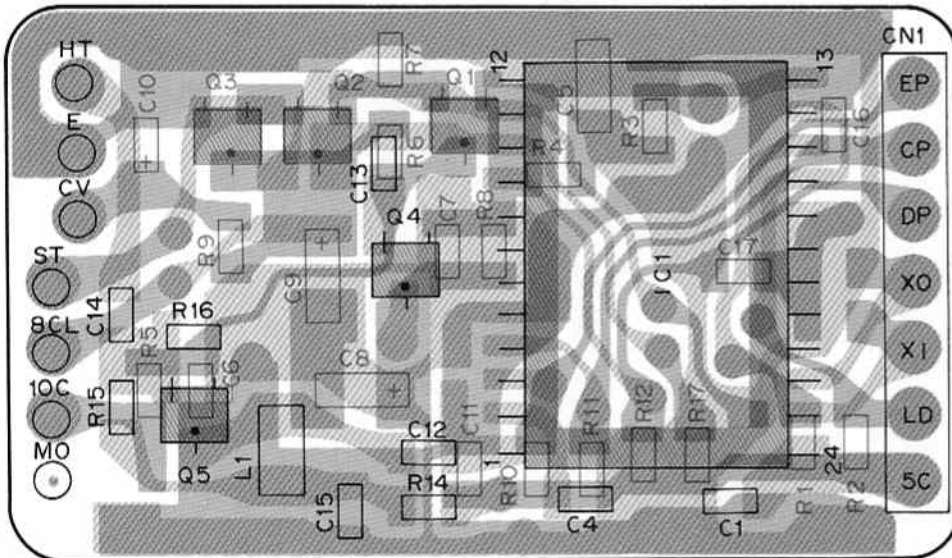
M54959FP



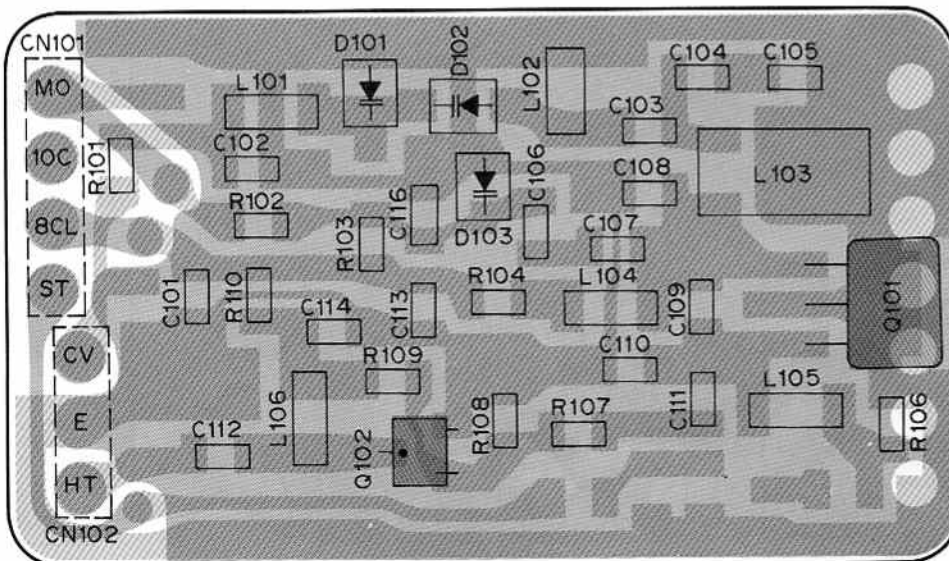
2SK582



PLL (X58-3700-XX) (A/2) Foil side view



PLL (X58-3700-XX) (B/2) Component side view

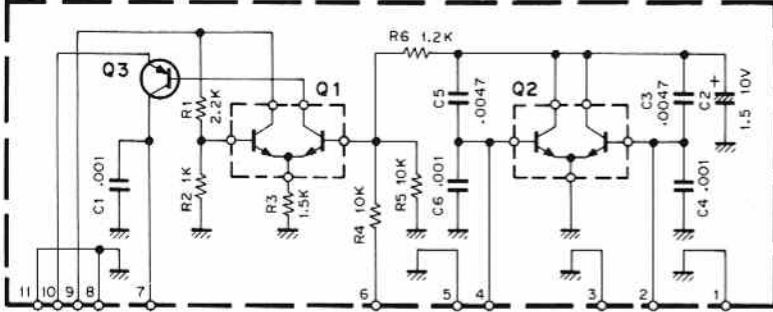


▨ : Component side
▨ : Foil side

CIRCUIT DIAGRAMS/PC BOARD VIEWS TK-805D

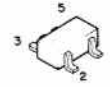
APC (X59-3130-00)

APC (X59-3130-00)



Q1, 2 : FMW-1
Q3 : 2SA1162 (Y)

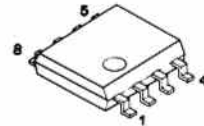
FMW-1



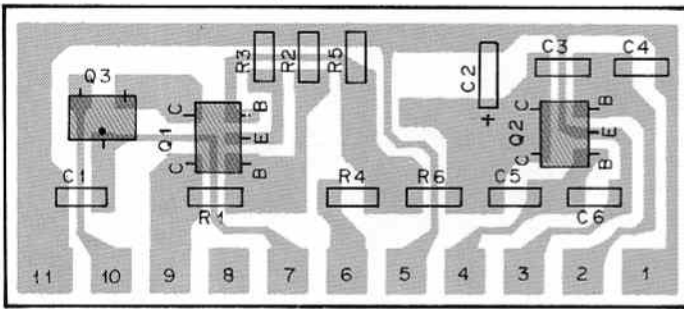
2SA1162
2SC2712



NJM4558M

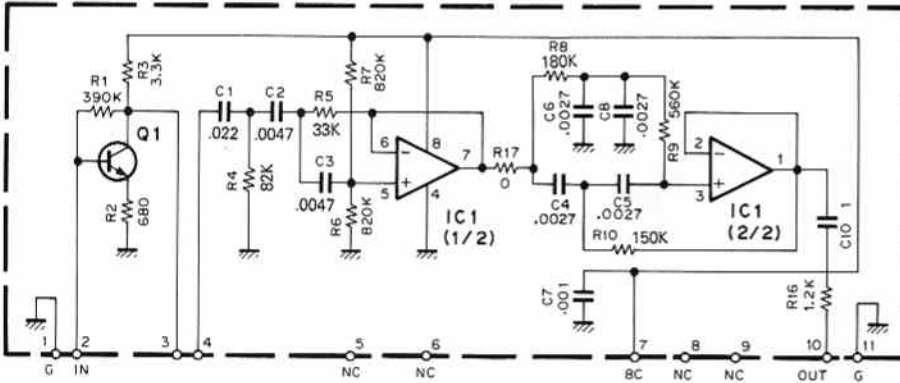


APC (X59-3130-00) Foil side view



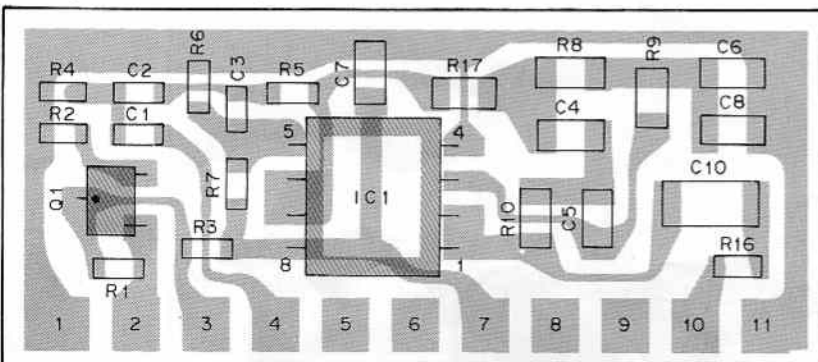
HPF (X59-3740-11)

HPF (X59-3740-11)



Q1 : 2SC2712 (Y)
IC1 : NJM4558M

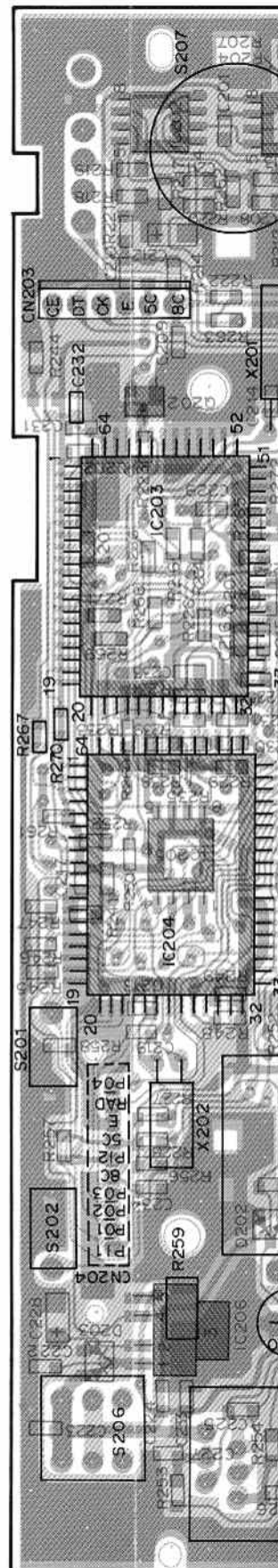
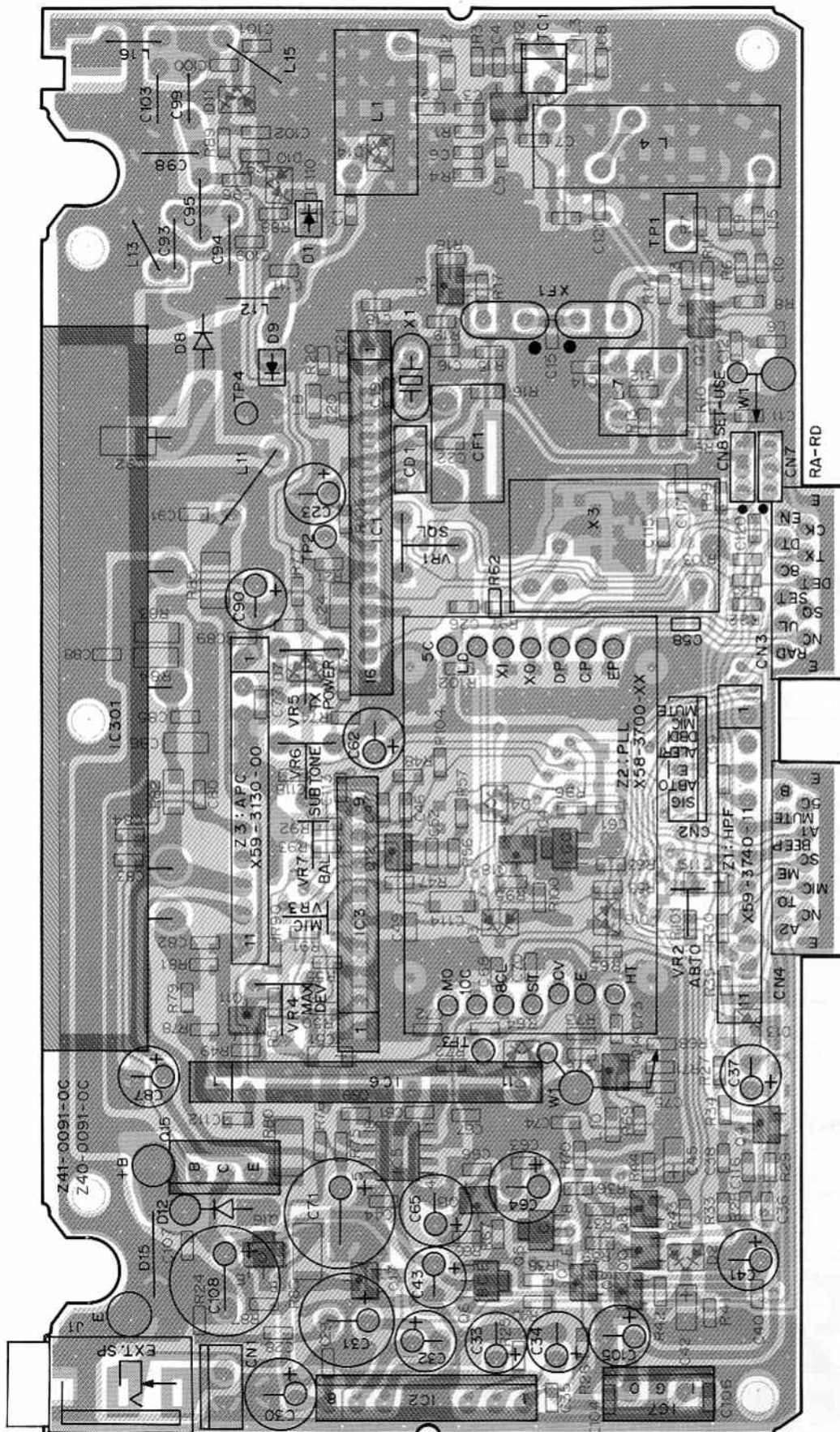
HPF (X59-3740-11) Foil side view

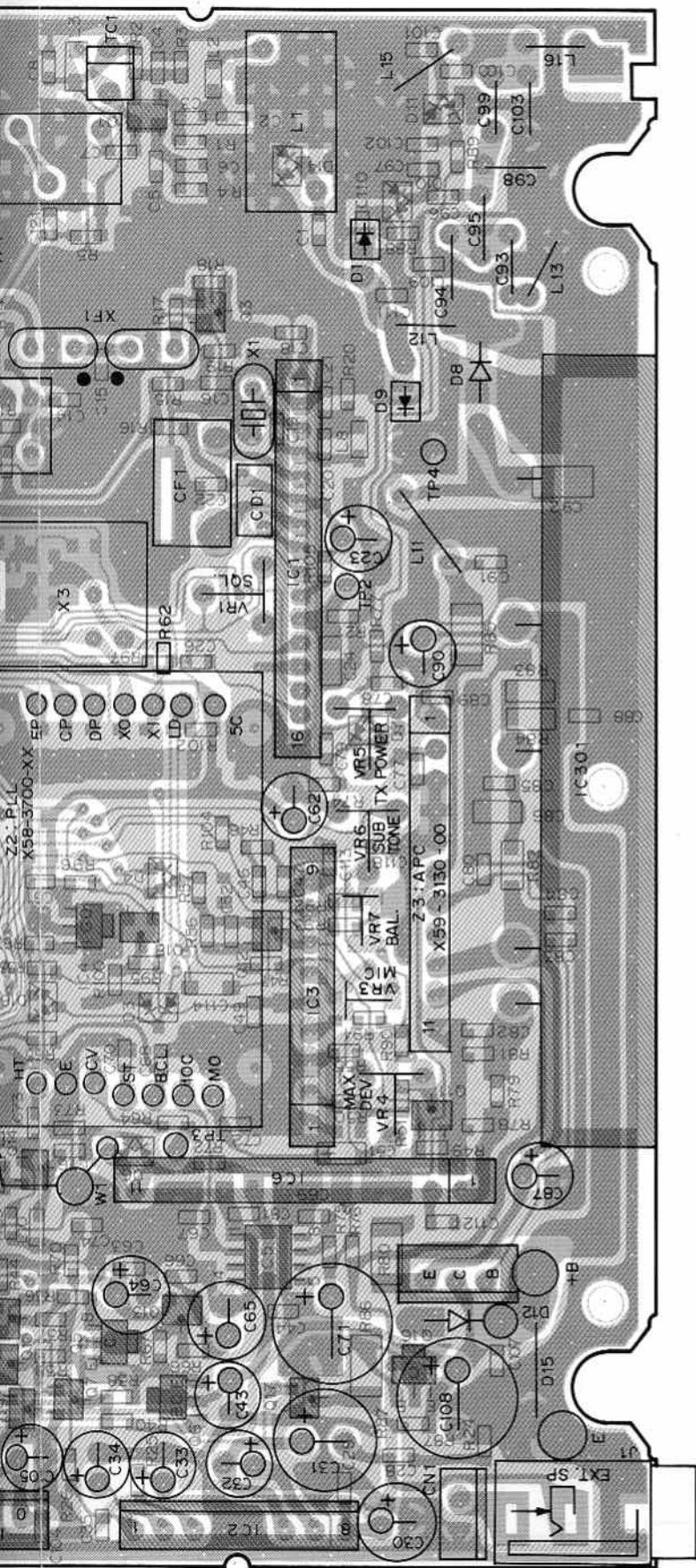


TK-805D PC BOARD VIEWS

TX-RX UNIT (X57-3850-XX) Component side view

-10 : K,M -11 : K2,M2 -12 : K3,M3 -13 : K4 -24 : M4

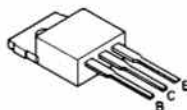




2SC2712
 2SC2714
 2SC2759
 2SD1757K
 DTC114EK
 DTC114WK
 DTC144EK
 DTC144WK



2SD1406



2SB1119S
 2SB1302S



2SK208



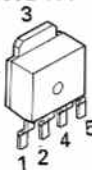
3SK184



NJM78L05UA



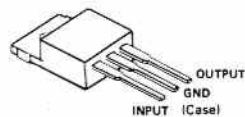
L78LR05B-FA



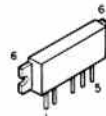
- 1.INPUT
- 2.DELAY CAPACITOR
- 3.GND
- 4.RESET OUTPUT
- 5.OUTPUT

▨ : Component side
 ▨ : Foil side

MC7808CT



M57729H-01
 M57729L-01
 M57729L-22
 M57729SH-01
 M57729UH-01



2SD1406

2SB1119S
 2SB1302S

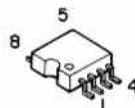
2SK208

3SK184

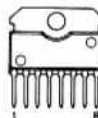
NJM78L05UA

L78LR05B-FA

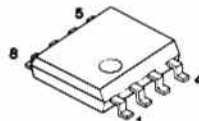
CAT35C102KI



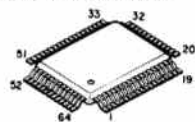
μPC1241H



LA5010M
 NJM4558M



75112GF-672-3BE
 78312AGF323-3BE



TX-RX UNIT (X57-385X-XX) (A/2)

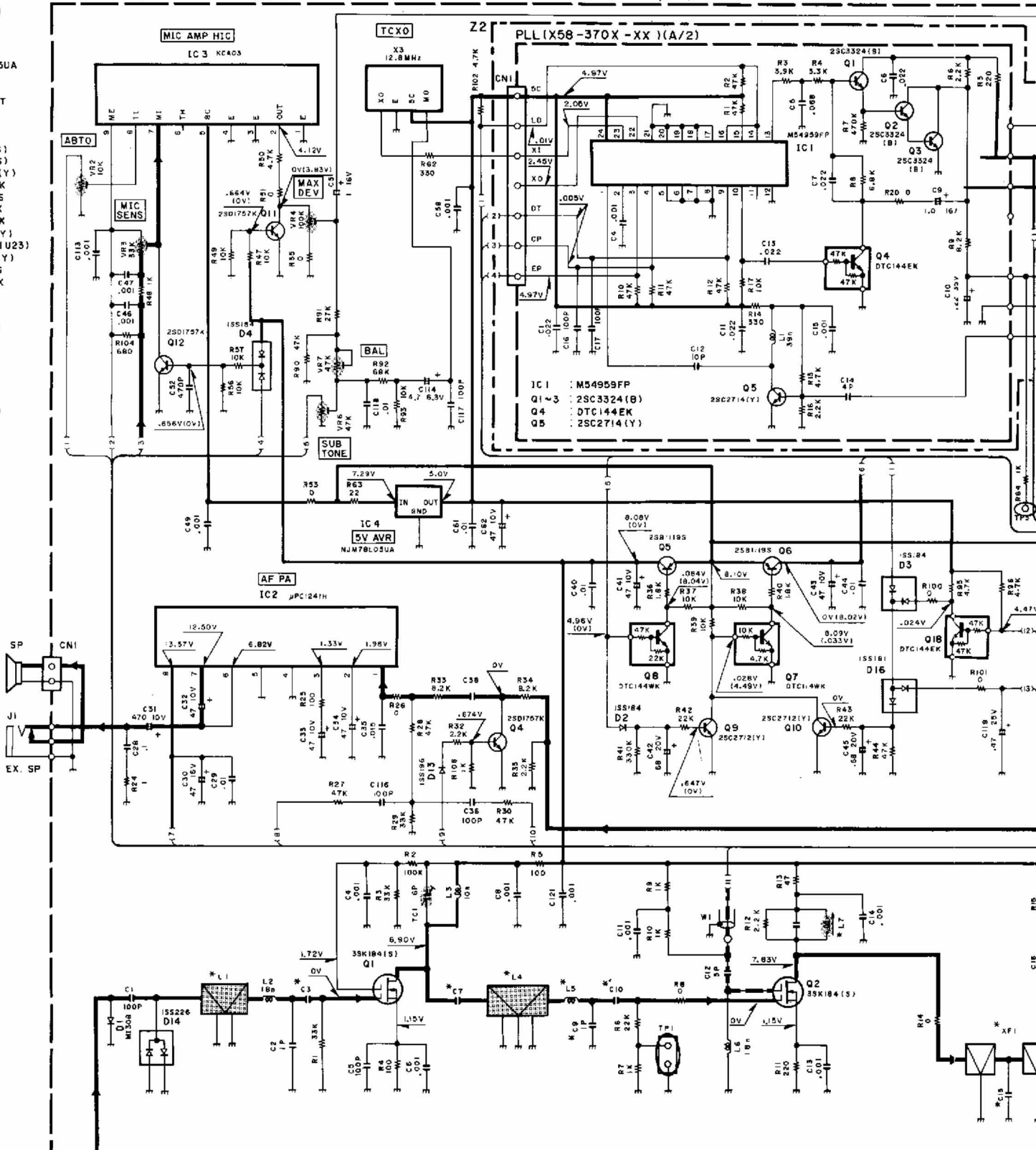
RX; STBY ISQ ONI
TX; ()

(X57-385X-XX) (A/2)

- IC1 : KCD04
- IC2 : yPCI241H
- IC3 : KCA03
- IC4 : NJM78L05UA
- IC5 : LA5010M
- IC6 : KCB06
- IC7 : MC7808CT
- IC301 : *

- Q1 : 3SK184(S)
- Q2 : 3SK184(S)
- Q3 : 2SC2714(Y)
- Q4,11,12 : 2SD1757K
- Q5,6 : 2SB1119S
- Q7,17 : DTC114WK
- Q8 : DTC144WK
- Q9,10,13 : 2SC2712(Y)
- Q14 : 2SC2759(U23)
- Q15 : 2SD14061(Y)
- Q16 : 2SB1302S
- Q18 : DTC144EK

- Q19 : M1308
- D2-4 : 1SS184
- D6 : DAN235K
- D7,16 : 1SS181
- D8 : M1407
- D10,11 : MA716
- D12 : DSA3A1
- D13 : 1SS196
- D14 : 1SS226
- D15 : ERZ-220



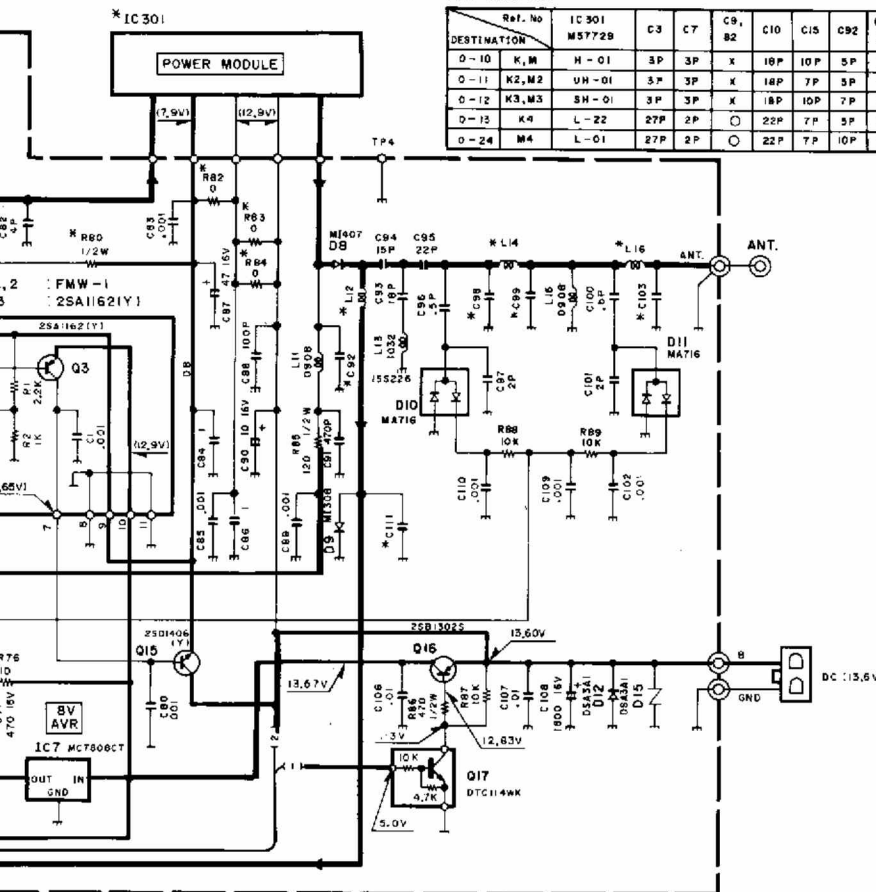
IC1 : M54959FP
Q1-3 : 2SC3324(B)
Q4 : DTC144EK
Q5 : 2SC2714(Y)

(X57-385X-XX)

Ref. No	IC 301	C3	C7	C9, B2	C10	C15	C92	C98, 103	C99	C111	R80	R82	R85, 84	R235	R239	R241	R243	XF 1	X 1	L1	L4	L5	L7
DESTINATION	M57729																						
0-10	K, M	H-01	3P	3P	X	18P	10P	5P	5P	7P	3P	22	X	0	X	X	X	34.5 MHz	33.845 MHz	L79-0877	L79-0878	184	L34-4191
0-11	K2, M2	UH-01	3P	3P	X	18P	7P	5P	4P	8P	2P	22	X	0	X	0	0	30.3 MHz	30.755 MHz	L79-0879	L79-0880	10a	L34-2157
0-12	K3, M3	SH-01	3P	3P	X	18P	10P	7P	5P	7P	3P	22	X	0	X	0	0	34.3 MHz	34.755 MHz	L79-0881	L79-0882	12b	L34-4191
0-13	K4	L-22	27P	2P	0	22P	7P	5P	6P	10P	4P	10	0	X	X	0	0	30.3 MHz	30.755 MHz	L79-0883	L79-0884	22a	L34-2157
0-24	M4	L-01	27P	2P	0	22P	7P	10P	8P	10P	4P	10	0	X	X	0	0	30.3 MHz	30.755 MHz	L79-0885	L79-0884	22a	L34-2157

(X57-385X-XX)(B/2)

- IC 201, 202 : NJM
- IC 203 : 7815
- IC 204 : 7511
- IC 205 : CAT
- IC 206 : L7815



KVP-1 (DIGITAL RECORDING UNIT)

KVP-1 CIRCUIT DESCRIPTION

1. Overview

The KVP-1 is a digital recording and playback unit designed to be installed inside the TK-805D. This unit has the following features :

- Recording received audio (for output to the internal speaker)
- Outputting recorded audio to the internal speaker
- Built-in lithium battery back-up for maintaining KVP-1 contents

2. Operations

• Recording received audio (for output to the internal speaker)

A received signal from the RA pin is fed into pin 59 (MIC IN) of IC1 (TC8830F). The signal is amplified approx. 26dB by a mic amplifier in IC1, and output via pin 60 (C1). The signal from pin 60 is fed into pin 63 (C2) and amplified approx. 20dB. The amplified signal is applied to pin 64 (MIC OUT) and pin 65 (ADI).

• Outputting recorded audio to the internal speaker

D/A converter output from pin 66 (DAO) of IC1 (TC8830F) is passed through a CR filter, and amplified by Q1. The amplified signal output to the RA pin.

KVP-1 DESCRIPTION OF COMPONENTS

ACCESSORY UNIT (X42-3030-20)

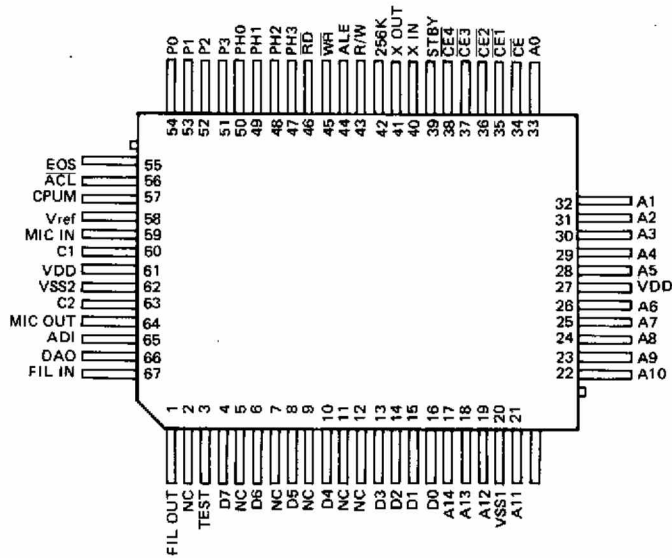
Ref. No.	Use/Function	Description
IC1	Audio recording and playback	See semiconductor data.
IC4~7	S-RAM	
Q1	AF amplification	Playback sound amplification.
Q2	Stand-by switch	When the power is off, set the minimal current mode.
D1	Reverse current prevention	
D2	Reverse current prevention	Back-up.

KVP-1 (DIGITAL RECORDING UNIT)

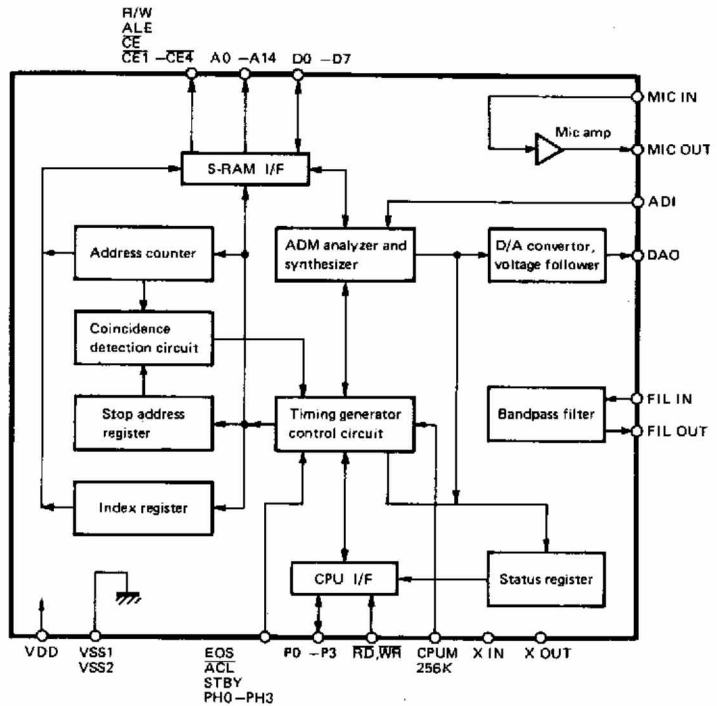
KVP-1 SEMICONDUCTOR DATA

1. Audio recording and playback : TC8830AF (IC1)

• Terminal connection diagram



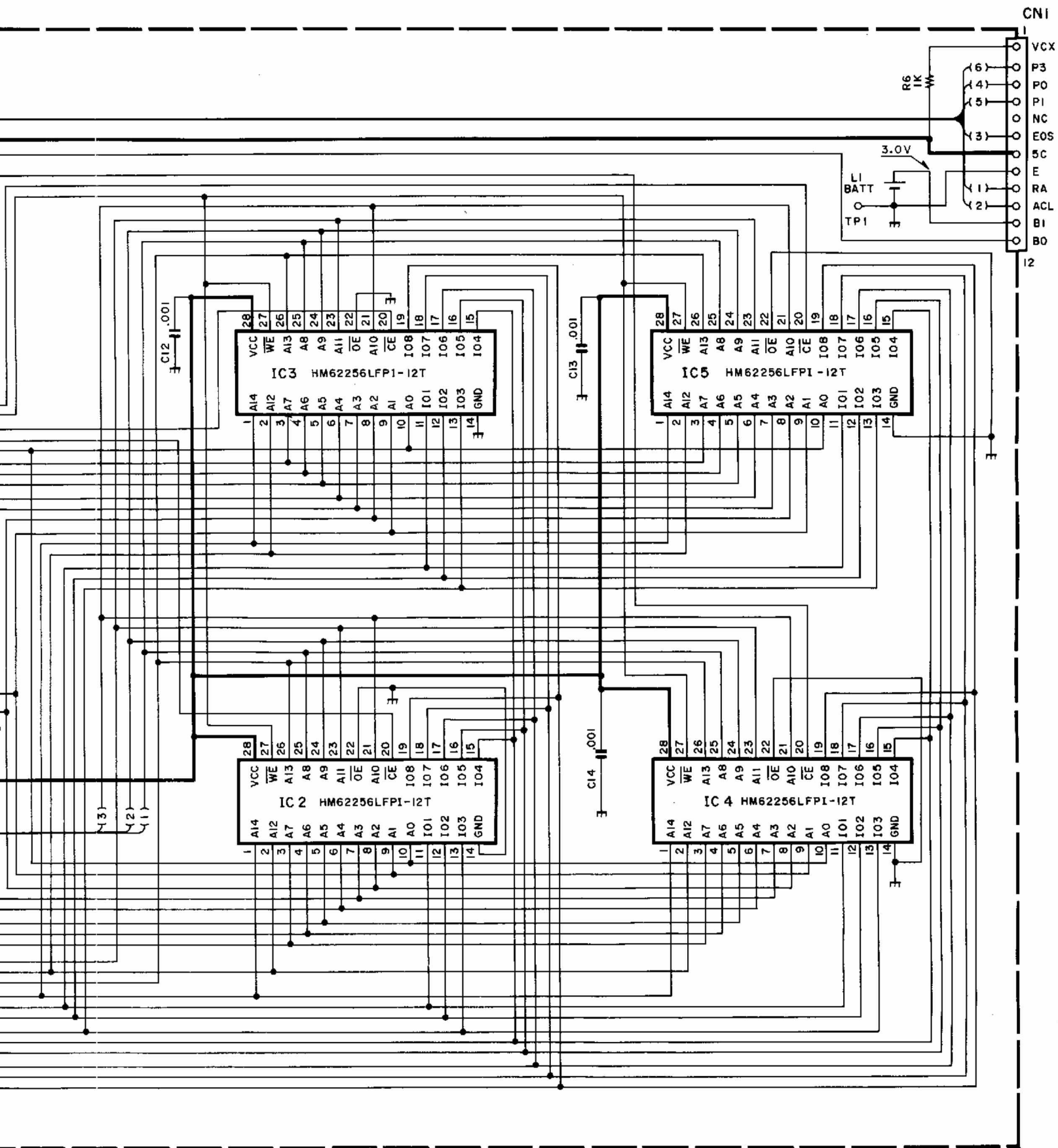
• Block diagram



• Terminal functions

Pin No.	Pin name	I/O	Function	Pin No.	Pin name	I/O	Function
1	FIL OUT	O	Not used.	41	X OUT	O	512kHz oscillation circuit.
2	NC	-	Not connected.	42	256K	I	64K/256K RAM select, "H" when 256K used.
3	TEST	-	Not used.	43	R/W	O	RAM read/write output.
4	D7	I/O	RAM data I/O.	44	ALE	-	Not used.
5	NC	-	Not connected.	45	WR	I	Write pulse input.
6	D6	I/O	RAM data I/O.	46	RD	I	Read pulse input.
7	NC	-	Not connected.	47-50	PH3-PH0	-	Not used.
8	D5	I/O	RAM data I/O.	51-54	P3-P0	I/O	Data bus.
9	NC	-	Not connected.	55	EOS	-	Not used.
10	D4	I/O	RAM data I/O.	56	ACL	I	Reset signal input.
11,12	NC	-	Not connected.	57	CPUM	I	"H" when CPU control enabled.
13-16	D3-D0	I/O	RAM data I/O.	58	Vref	O	Analog circuit reference voltage output.
17-19	A14-A12	O	RAM address output.	59	MIC IN	I	Mic amp. 1 input.
20	Vss1	-	GND.	60	C1	O	Mic amp. 1 output.
21-26	A11-A6	O	RAM address output.	61	VDD	-	Power supply.
27	VDD	-	Power supply.	62	VSS2	-	GND.
28-33	A5-A0	O	RAM address output.	63	C2	I	Mic amp. 2 input.
34	CE	-	Not used.	64	MIC OUT	O	Mic amp. 2 output.
35-38	CE1-CE4	O	RAM chip enable.	65	ADI	I	Audio analysis circuit input.
39	STBY	I	Minimum current standby when standby input is "H".	66	DAO	O	D/A convertor output.
40	X IN	I	512kHz oscillation circuit.	67	FIL IN	I	Not used.

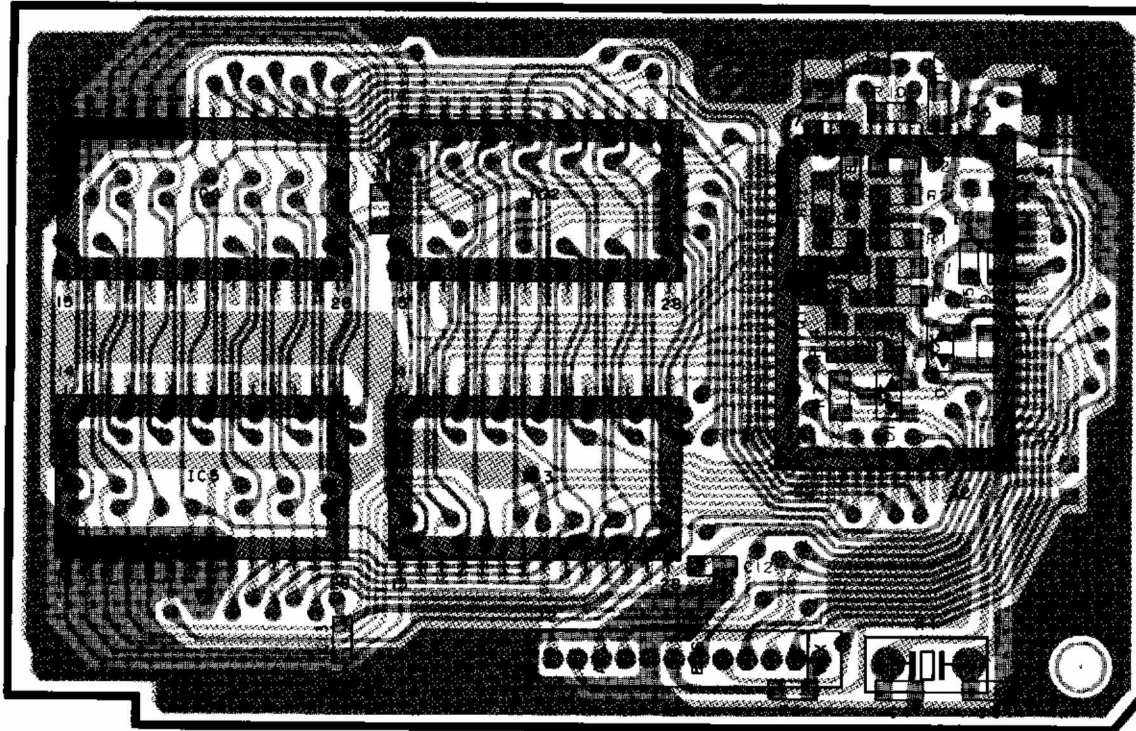
5D TK-805D (DIGITAL RECORDING UNIT)



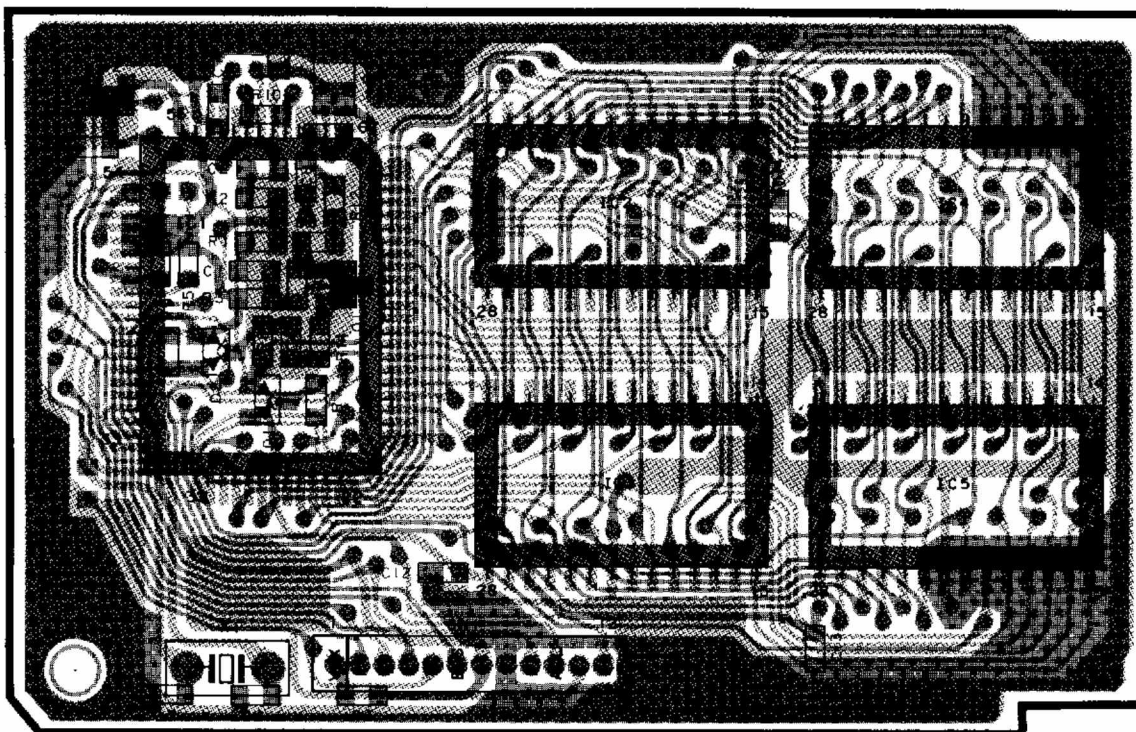
KVP-1 (DIGITAL RECORDING UNIT)

KVP-1 PC BOARD VIEWS

ACCESSORY UNIT (X42-3030-20) Component side view



ACCESSORY UNIT (X42-3030-20) Foil side view



: Component side
 : Foil side

KVP-1 (DIGITAL RECORDING UNIT)

KVP-1 PARTS LIST

* New Parts

Parts without Parts No. are not supplied.

Ref. No.	Address	New Parts	Parts No.	Description	Desti- nation	Re- marks
KVP-1						
			B42-3317-04 B42-3395-04	Serial label FCC label		
		*	E37-0151-05	Cord with connector		
		*	G10-0679-04 G13-1329-04	Felt Cushion		
		*	H21-0704-04 H25-0029-04 H25-0710-04 H52-0144-03	Protection sheet Protection bag Conductive bag Item carton box		
		*	N87-2606-46	Brazier head taptite screw		
		*	X42-3030-20	Accessory unit		
ACCESSORY UNIT (X42-3030-20)						
C1			CK73FF1E154Z	Chip C 0.15UF Z		
C2			CK73FB1E104K	Chip C 0.1UF K		
C3, 4			CC73FCH1H101J	Chip C 100PF J		
C5, 6			CK73FB1H102K	Chip C 0.001UF K		
C7			CK73FB1E104K	Chip C 0.1UF K		
C8			CK73FB1E103K	Chip C 0.01UF K		
C9			CK73FB1E104K	Chip C 0.1UF K		
C10			CK73FB1E103K	Chip C 0.01UF K		
C11			C92-0010-05	Chip tan 6.8UF 6.3WV		
C12~14			CK73FB1H102K	Chip C 0.001UF K		
CN1			E40-5189-05	Pin assy (12P)		
TP1			E23-0467-05	Test pin		
			F20-0520-04 F20-1059-04	Insulating plate Insulating plate		
X1			L78-0050-05	Crystal resonator 512kHz		
R1			RK73FB2A682J	Chip R 6.8K J 1/10W		
R2			RK73FB2A103J	Chip R 10K J 1/10W		
R3			RK73FB2A222J	Chip R 2.2K J 1/10W		
R4, 5			RK73FB2A473J	Chip R 47K J 1/10W		
R6			RK73FB2A102J	Chip R 1K J 1/10W		
R7			RK73FB2A104J	Chip R 100K J 1/10W		
R8			RK73FB2A220J	Chip R 22 J 1/10W		
R9			RK73FB2A103J	Chip R 10K J 1/10W		
R10			RK73FB2A394J	Chip R 390K J 1/10W		
R11			RK73FB2A563J	Chip R 56K J 1/10W		
R12			RK73FB2A683J	Chip R 68K J 1/10W		
R13			RK73FB2A564J	Chip R 560K J 1/10W		
R14			R92-0670-05	Chip R 0 ohm		
D1, 2			1SS184	Chip diode		
IC1		*	TC8830AF	IC		
IC2~5		*	HM62256LFPI-12T	IC		
Q1			2SC2712(BL)	Chip transistor		
Q2			DTC144EK	Digital transistor		
			W09-0515-05	Lithium battery		

SPECIFICATIONS

GENERAL

Frequency Range	450 to 470MHz (K,M type) 470 to 490MHz (K2,M2 type) 490 to 512MHz (K3,M3type) 406 to 430MHz (K4 type) 400 to 420MHz (M4 type)
Number of Channels	16 semi-duplex channels
Channel Spacing	25kHz (PLL channel step 12.5kHz)
Input Voltage	13.6V DC negative ground
Current Drain	0.3A on standby 0.7A on receive 6.0A on transmit
Duty Cycle	Receiver 100%, Transmitter 20%
Temperature Range	-30°C to +60°C (-22°F to +140°F)
Dimensions and Weight	5.51" (140mm) W x 1.58" (40mm) H x 34" (161mm) D, 2.20lbs. (1.0kg)

RECEIVER

(Measurements made per EIA standard EIA-204-C)

RF Input Impedance	50Ω
Sensitivity	
EIA 12dB SINAD	0.2μV
20dB Quieting	0.3μV
Squelch Sensitivity	0.25μV threshold
Modulation Acceptance	±7kHz
Selectivity	-80dB
Intermodulation	-75dB
Spurious and Image Rejection	-85dB
Audio Power Output	4W at 4Ω less than 5% distortion
Frequency Stability	±0.0005% from -30°C to +60°C
Channel Frequency Spread	20MHz

TRANSMITTER

(Measurements made per EIA standard EIA-152-B)

RF Power Output	25W adjustable to 5W
RF Output Impedance	50Ω
Spurious and Harmonics	-75dB
Modulation	F3E, ±5kHz for 100% at 1000Hz
FM Noise	-50dB
Microphone Impedance	Low impedance
Audio Distortion	1.0% at 1000Hz
Frequency Stability	±0.0005% from -30°C to +60°C
Channel Frequency Spread	20MHz

KENWOOD CORPORATION

Shionogi Shibuya Building, 17-5, 2-chome Shibuya, Shibuya-ku, Tokyo 150, Japan

KENWOOD U.S.A. CORPORATION

COMMUNICATIONS & TEST EQUIPMENT GROUP

P.O. BOX 22745, 2201 East Dominguez St., Long Beach, CA 90801-5745, U.S.A.

KENWOOD ELECTRONICS DEUTSCHLAND GMBH

Rembrücker Str. 15, 6056 Heusenstamm, Germany

TRIO-KENWOOD U.K. LIMITED

KENWOOD House, Dwight Road, Watford, Herts., WD1 8EB United Kingdom

KENWOOD ELECTRONICS BENELUX N.V.

Mechelsesteenweg 418 B-1930 Zaventem, Belgium

TRIO-KENWOOD FRANCE S.A.

13, Boulevard Ney, 75018 Paris, France

KENWOOD LINEAR S.P.A.

20125, Milano-via Arbe, 50, Italy

KENWOOD ELECTRONICS AUSTRALIA PTY. LTD.

P.O. Box 504, 8 Figtree Drive, Australia Centre, Homebush, N.S.W. 2140, Australia

KENWOOD & LEE ELECTRONICS, LTD.

Wang Kee Building, 5th Floor, 34-37, Connaught Road, Central, Hong Kong

KENWOOD ELECTRONICS CANADA INC.

P.O. BOX 1075, 959 Gana Court, Mississauga, Ontario, Canada L5S 1N9