

KENWOOD

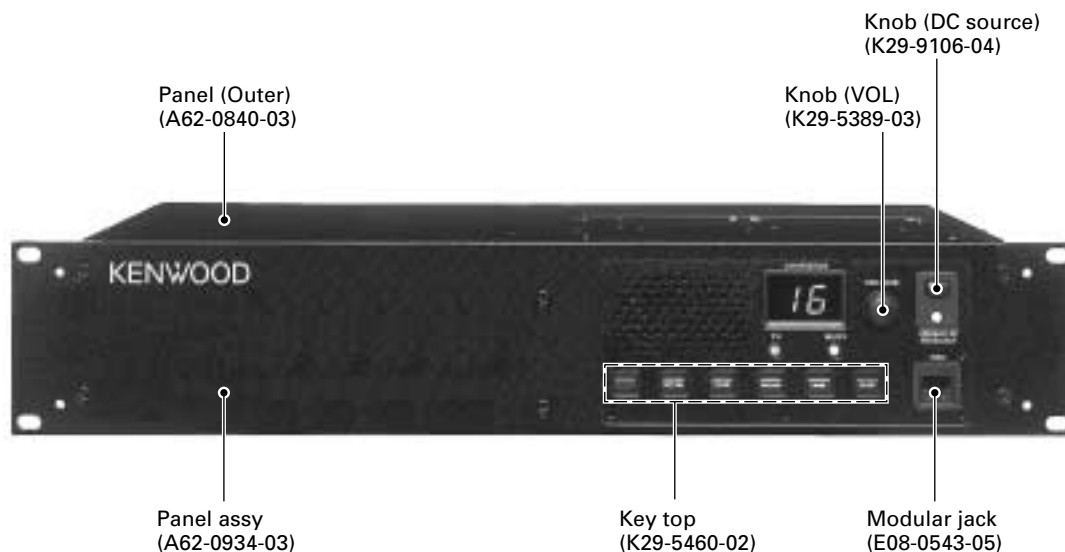
Document Copyrights

Copyright 2006 by Kenwood Corporation. All rights reserved.

No part of this manual may be reproduced, translated, distributed, or transmitted in any form or by any means, electronic, mechanical, photocopying, recording, or otherwise, for any purpose without the prior written permission of Kenwood.

Disclaimer

While every precaution has been taken in the preparation of this manual, Kenwood assumes no responsibility for errors or omissions. Neither is any liability assumed for damages resulting from the use of the information contained herein. Kenwood reserves the right to make changes to any products herein at any time for improvement purposes.



CONTENTS

GENERAL	2	TERMINAL FUNCTION	47
SYSTEM SET-UP	2	WIRING	51
OPERATING FEATURES	3	PC BOARD VIEWS	
REALIGNMENT	11	RX PLL/VCO (X58-4780-10)	53
INSTALLATION	13	TX PLL/VCO (X58-4790-10)	54
MODIFICATION	15	DISPLAY UNIT (X54-3330-20)	55
DISASSEMBLY FOR REPAIR	16	FINAL UNIT (X45-3620-XX)	59
CIRCUIT DESCRIPTION	17	TX-RX UNIT (X57-6260-XX) (A/2)	65
SEMICONDUCTOR DATA	23	TX-RX UNIT (X57-6260-XX) (B/2)	71
DESCRIPTION OF COMPONENTS	25	SCHEMATIC DIAGRAM	77
PARTS LIST	27	BLOCK DIAGRAM	89
EXPLODED VIEW	37	KES-4 (EXTERNAL SPEAKER)	92
PACKING	39	SPECIFICATIONS	93
ADJUSTMENT	40		

GENERAL / SYSTEM SET-UP

INTRODUCTION

SCOPE OF THIS MANUAL

This manual is intended for use by experienced technicians familiar with similar types of commercial grade communications equipment. It contains all required service information for the equipment and is current as of the publication date. Changes which may occur after publication are covered by either Service Bulletins or Manual Revisions. These are issued as required.

ORDERING REPLACEMENT PARTS

When ordering replacement parts or equipment information, the full part identification number should be included. This applies to all parts : components, kits, or chassis. If the part number is not known, include the chassis or kit number of which it is a part, and a sufficient description of the required component for proper identification.

PERSONNEL SAFETY

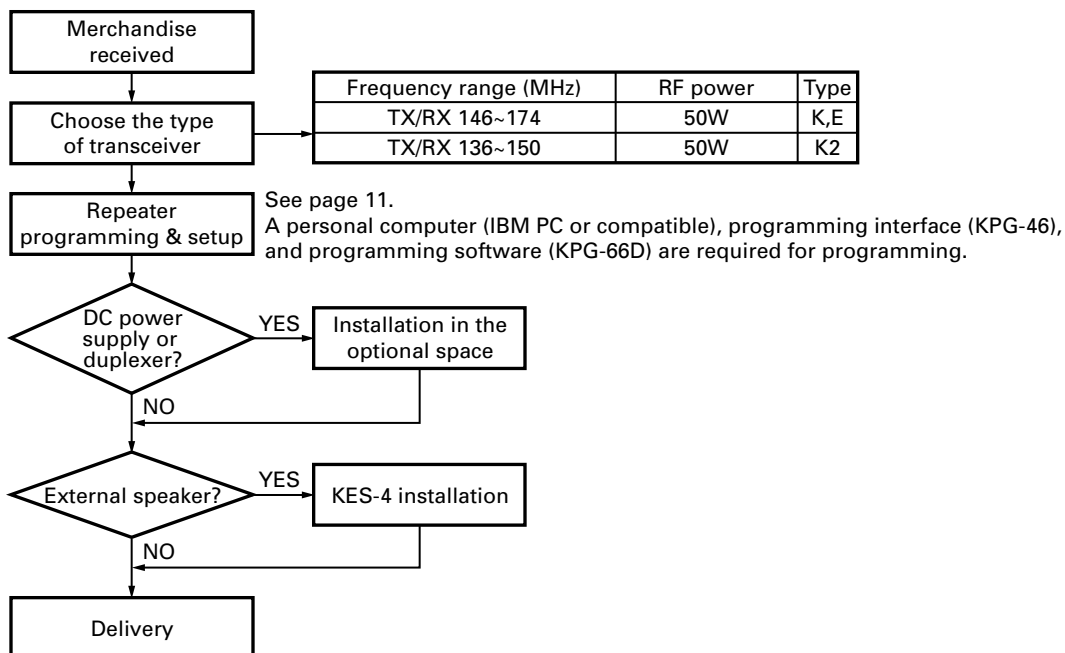
The following precautions are recommended for personnel safety :

- DO NOT transmit until all RF connectors are verified secure and any open connectors are properly terminated.
- SHUT OFF and DO NOT operate this equipment near electrical blasting caps or in an explosive atmosphere.
- This equipment should be serviced by a qualified technician only.

SERVICE

This radio is designed for easy servicing. Refer to the schematic diagrams, printed circuit board views, and alignment procedures contained in this manual.

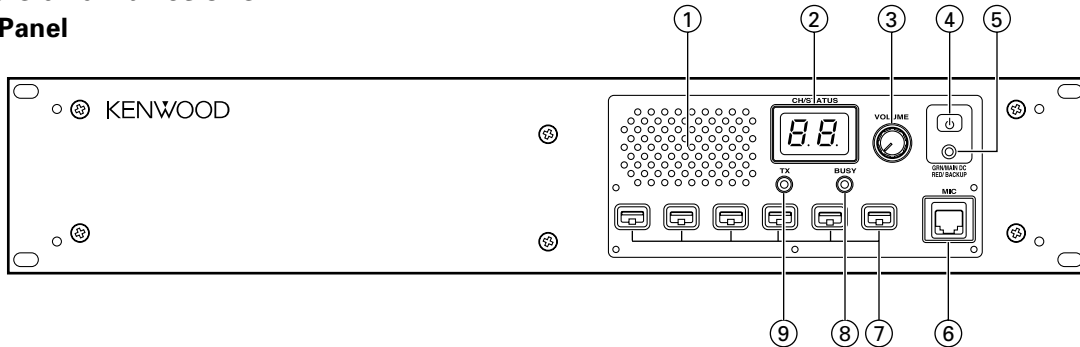
SYSTEM SET-UP



OPERATING FEATURES

1. Controls and Functions

1-1. Front Panel



1 Speaker

2 CH/STATUS Display

Two, 7-segment digits display the channel number or status.

3 VOLUME control

Rotate to adjust the volume.

4 DC source switch

5 Dc source indicator

Lights green when DC source is applied from the DC 13.6V jack (DC 13.2V jack on E type versions). Lights red when DC source is applied from the BACK UP battery terminal.

6 MIC jack

Connect a microphone to this 8-pin modular jack.

7 Programmable Function keys

Press these keys to activate their programmable functions.

PF1 key (left side)	Default : None (No function)
PF2 key	Default : Repeat disable/enable
PF3 key	Default : TX disable/enable
PF4 key	Default : Take over
PF5 key	Default : Monitor on/off
PF6 key (right side)	Default : Channel up

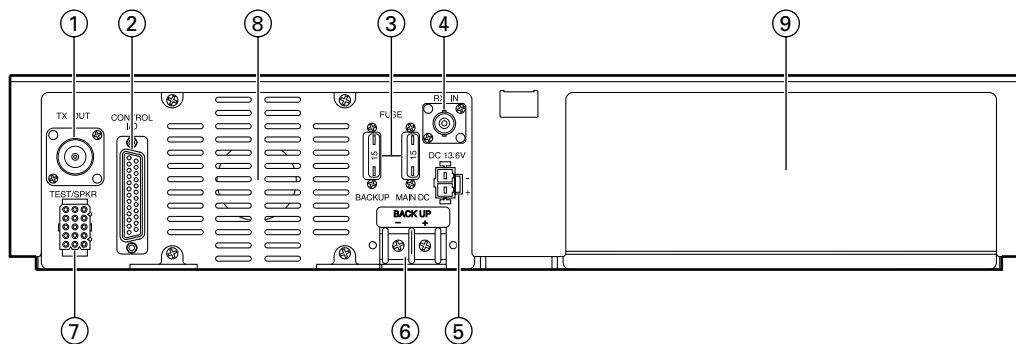
8 BUSY indicator

Lights green while a signal is being received.

9 TX indicator

Lights red while transmitting.

1-2. Rear Panel



1 TX OUT jack

Connect a TX antenna or a duplexer to this receptacle.

2 CONTROL I/O jack

Connect an external programming device or repeater controller to this DB-25 interface.

3 FUSE

Insert 15 A blade fuses into these fuse holders.

4 RX IN jack

Connect a RX antenna or a duplexer to this BNC receptacle.

5 DC 13.6V (K type) / DC 13.2V (E type) jack

Connect a 13.6 V (K type) or 13.2 V (E type) DC power supply to this jack.

6 BACKUP battery terminal

7 TEST/SPKR jack

Test input/output jack. Connect an external speaker to this jack.

8 Cooling fan

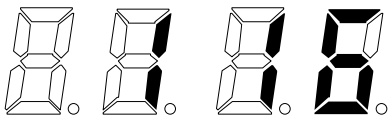
9 Optional space

For external DC power supply, or duplexer, etc.

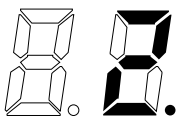
OPERATING FEATURES

2. Two 7-segment LED displays

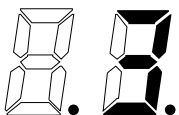
- Channel display (1~16) : While operating normally in user mode.



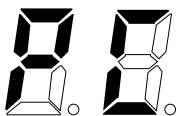
- When the displayed channel is contained in scan sequence, the right side decimal point is displayed.



- When the displayed channel is the priority channel, the left side decimal point is displayed.



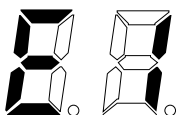
- "PC" is displayed while in PC mode.



- "PG" is displayed while in firmware programming mode.
2 decimal points displayed = 115,200bps
1 decimal point displayed = 57,600bps
No decimal = 38,400bps



- "E1" is displayed when FPU data is not written.



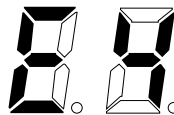
- "E2" is displayed when the channel data is not written.



- "E3" is displayed when PLL is unlocked.
Receiver PLL unlocked = flashing BUSY LED.
Transmitter PLL unlocked = flashing TX LED.



- "E4" is displayed when PTT is attempted on a channel number that has no frequency data programmed.



- "SC" is displayed while in scan mode.



OPERATING FEATURES

3. Programmable Functions

TKR-750 contains many Programmable Functions tabled below.

Programmable Function	Description
AUX Out 1~5 Off	AUX Out 1 to 5 ports become deactivated, respectively.
AUX I/O 1~6 Off	AUX I/O 1 to 6 ports become deactivated, respectively.
AUX Out 1~5 On	AUX Out 1 to 5 ports become activated, respectively.
AUX I/O 1~6 On	AUX I/O 1 to 6 ports become activated, respectively.
AUX Out 1~5 On/Off	AUX Out 1 to 5 ports are toggled between its active and inactive states, respectively.
AUX I/O 1~6 On/Off	AUX I/O 1 to 6 ports are toggled between its active and inactive states, respectively.
Channel 1~16	Directly select Channel 1 to 16, respectively.
Channel Down	The channel decrements by one.
Channel Up	The channel increments by one.
CW ID On	The CW ID is transmitted.
CW Message 1~8 On	The CW Message 1 to 8 is transmitted, respectively.
Display Off	All panel LEDs are turned off except the Power LED.
Display On	All panel LEDs become active as normal status indicators on the repeater.
Display On/Off	All panel LEDs, with the exception of the Power LED, are toggled between off and their normal status on the repeater.
Hold Time Enable	The Parameter of Repeat Hold Time is enabled.
Hold Time Disable	The Parameter of Repeat Hold Time is disabled.
Hold Time Disable/Enable	The Parameter of Repeat Hold Time is toggled between disabled and enabled.
Local Tx Disable	The local mic's PTT is disabled.
Local Tx Enable	The local mic's PTT is enabled.
Local Tx Disable/Enable	The local mic's PTT is toggled between disabled and enabled.
Monitor Off	The QT/DQT decoder is disabled.
Monitor On	The QT/DQT decoder is enabled.
Monitor On/Off	The QT/DQT decoder is toggled between disabled and enabled.
Monitor Momentary	The QT/DQT decoder is momentarily disabled.
Multi Table Sub	Multi Table No. Select Signalling changes to the Multi Table Sub.
Multi Table Main	Multi Table No. Select Signalling changes to the Multi Table Main.
Multi Table Main/Sub	Multi Table No. Select Signalling changes between Multi Table Sub and Multi Table Main.
QT/DQT Dec Disable	Disables the QT/DQT decode operation.
QT/DQT Dec Enable	Enables the QT/DQT decode operation.
QT/DQT Dec Disable/Enable	Toggles between disabling and enabling the QT/DQT decode operation.
QT/DQT Enc Disable	Disables the QT/DQT encode operation.
QT/DQT Enc Enable	Enables the QT/DQT encode operation.
QT/DQT Enc Disable/Enable	Toggles between disabling and enabling the QT/DQT encode operation.
Repeat Disable	Disables repeater operation.
Repeat Enable	Enables repeater operation.
Repeat Disable/Enable	Toggles between disabling and enabling repeater operation.
Reset	Resets to default condition set up by FPU.
DC Power Save Off	Activates DC Power Save Mode Off.
DC Power Save On	Activates DC Power Save Mode On.
DC Power Save On/Off	Toggles between DC Power Save Mode On and Off.

OPERATING FEATURES

Programmable Function	Description
Scan Off	Inhibits scanning.
Scan On	Starts scanning.
Scan On/Off	Scanning is toggled between being enabled or inhibited.
Scrambler Off	Disables an installed optional voice scrambler board.
Scrambler On	Enables an installed optional voice scrambler board.
Scrambler On/Off	Toggles between enabling and disabling an installed optional voice scrambler board.
Squelch Off	The Squelch unmutes.
Squelch On	The Squelch mutes.
Squelch On/Off	The receiver's squelch toggles between muted and unmuted.
Squelch Momentary	The Squelch momentarily unmutes.
Take Over On/Off	Toggles between disabling and enabling remote wireline control.
Test Tone Off	The Test Tone is inhibited.
Test Tone On	The Test Tone is enabled.
Test Tone On/Off	Toggles between enabling and inhibiting the Test Tone.
TOT Disable	The Time Out Timer is disabled.
TOT Enable	The Time Out Timer is enabled.
TOT Disable/Enable	The Time Out Timer is toggled between disabled and enabled.
TX Disable	The transmitter is inhibited.
TX Enable	The transmitter is enabled (normal).
TX Disable/Enable	Toggles between transmitter inhibited and transmitter enabled (normal).

The following Programmable Functions are output functions used to tell the condition of the TKR-750 to an external device. The output functions can be assigned to only AUX Outputs as follows.

Programmable Function	Description
COR (Carrier Operate Relay)	This function becomes valid if an RF carrier is present.
TOR (Tone Operate Relay)	This function becomes valid if an RF carrier and the specified QT/DQT are present.
RX Unlock	This alarm function becomes valid if the RX PLL circuitry becomes unlocked.
TX Unlock	This alarm function becomes valid if the TX PLL circuitry become unlocked.
Power Supply Lower Limit	This alarm function becomes valid if the DC power supply voltage becomes less than the preset point. The preset point is selected in the range of 10.6V to 13.6V.
TXS (TX Sense)	This function becomes valid when the transmitter is keyed.
Selectable	AUX Outputs which are set up as Selectable appear in the available Function List for the AUX Input Functions and Key Assignment. This allows AUX Inputs and PF Keys to be used to control AUX Outputs.
RX Signal Detect	This function becomes valid if the RX signal level becomes less than the preset point. The preset point is selected in the range of -120dBm to -95dBm.
RF Power Down Detect	This alarm function becomes valid if the RF Power becomes less than about 10W.
Fan Status	This alarm function becomes valid when the Fan is turned on, either by sensing a high temperature condition or by its operating mode being set to Continuous.

OPERATING FEATURES

4. Trigger Assignment

The Programmable Functions described above can be assigned to PF keys, AUX input, Save on/off, Start up, and Power supply according to following table.

In the last column of the table, when the Programmable Functions is assigned to any PF keys, it expresses that the LED in the PF key turns on either conditions. "Yes" expresses that the trigger is available the Programmable Function. "No" expresses that the trigger is not available the Programmable Function.

Function \ Trigger	PF keys	AUX input	Save on/off	Start up	Power supply	Condition of LED in the PF key on
AUX Out 1~5 (I/O 1~6) Off	No	Yes	Yes	Yes	Yes	–
AUX Out 1~5 (I/O 1~6) On	No	Yes	Yes	Yes	Yes	–
AUX Out 1~5 (I/O 1~6) On/Off	Yes	Yes	No	No	No	Turns on in ON status.
Channel 1~16, Up/Down	Yes	Yes	Yes	Yes	Yes	Do not turn on.
CW ID On	Yes	Yes	Yes	Yes	Yes	Turns on while transmitting.
CW Message 1~8 On	Yes	Yes	Yes	Yes	Yes	Turns on while transmitting.
Display Off	No	Yes	Yes	Yes	Yes	–
Display On	No	Yes	Yes	Yes	Yes	–
Display On/Off	Yes	Yes	No	No	No	Turns on in ON status.
Hold Time Enable	No	Yes	Yes	Yes	Yes	–
Hold Time Disable	No	Yes	Yes	Yes	Yes	–
Hold Time Disable/Enable	Yes	Yes	No	No	No	Turns on in Disable status.
Local Tx Disable	No	Yes	Yes	Yes	Yes	–
Local Tx Enable	No	Yes	Yes	Yes	Yes	–
Local Tx Disable/Enable	Yes	Yes	No	No	No	Turns on in Disable status.
Monitor Off	No	Yes	Yes	Yes	Yes	–
Monitor On	No	Yes	Yes	Yes	Yes	–
Monitor On/Off	Yes	Yes	No	No	No	Turns on in ON status.
Monitor Momentary	Yes	No	No	No	No	Turns on in ON status.
Multi Table Sub	No	Yes	Yes	Yes	Yes	–
Multi Table Main	No	Yes	Yes	Yes	Yes	–
Multi Table Main/Sub	Yes	Yes	No	No	No	Turns on in Sub status.
QT/DQT Dec Disable	No	Yes	Yes	Yes	Yes	–
QT/DQT Dec Enable	No	Yes	Yes	Yes	Yes	–
QT/DQT Dec Disable/Enable	Yes	Yes	No	No	No	Turns on in Disable status.
QT/DQT Enc Disable	No	Yes	Yes	Yes	Yes	–
QT/DQT Enc Enable	No	Yes	Yes	Yes	Yes	–
QT/DQT Enc Disable/Enable	Yes	Yes	No	No	No	Turns on in Disable status.
Repeat Disable	No	Yes	Yes	Yes	Yes	–
Repeat Enable	No	Yes	Yes	Yes	Yes	–
Repeat Disable/Enable	Yes	Yes	No	No	No	Turns on in Disable status.
Reset	Yes	Yes	No	No	No	Do not turn on.
DC Power Save Off	No	Yes	No	Yes	Yes	–
DC Power Save On	No	Yes	No	Yes	Yes	–
DC Power Save On/Off	Yes	Yes	No	No	No	Do not turn on.
Scan Off	No	Yes	Yes	Yes	Yes	–

OPERATING FEATURES

Function \ Trigger	PF keys	AUX input	Save on/off	Start up	Power supply	Condition of LED in the PF key on
Scan On	No	Yes	Yes	Yes	Yes	–
Scan On/Off	Yes	Yes	No	No	No	Turns on in ON status.
Scrambler Off	No	Yes	Yes	Yes	Yes	–
Scrambler On	No	Yes	Yes	Yes	Yes	–
Scrambler On/Off	Yes	Yes	No	No	No	Turns on in ON status.
Squelch Off	No	Yes	Yes	Yes	Yes	–
Squelch On	No	Yes	Yes	Yes	Yes	–
Squelch On/Off	Yes	Yes	No	No	No	Turns on in OFF status.
Squelch Momentary	Yes	No	No	No	No	Turns on in OFF status.
Take Over On/Off	Yes	No	No	No	No	Turns on in ON status.
Test Tone Off	No	Yes	Yes	Yes	Yes	–
Test Tone On	No	Yes	Yes	Yes	Yes	–
Test Tone On/Off	Yes	Yes	No	No	No	Turns on in ON status.
TOT Disable	No	Yes	Yes	Yes	Yes	–
TOT Enable	No	Yes	Yes	Yes	Yes	–
TOT Disable/Enable	Yes	Yes	No	No	No	Turns on in Disable status.
TX Disable	No	Yes	Yes	Yes	Yes	–
TX Enable	No	Yes	Yes	Yes	Yes	–
TX Disable/Enable	Yes	Yes	No	No	No	Turns on in Disable status.
None	Yes	Yes	Yes	Yes	Yes	Do not turn on.

5. Simplex/Duplex Operation

The Simplex/Duplex function is used to specify whether the channel is used as simplex (receiver muted during transmit) or duplex (receiver unmuted during transmit). If the channel has same TX/RX frequency, it can operate only in Simplex mode.

6. Repeater/Base Station Operation

The Repeat function is used to specify whether the channel is used as a repeater or as a base station. A repeater simultaneously and automatically re-transmits its received audio, a duplex base station has independent simultaneous transmit and receive paths, a simplex base station are mutually exclusive transmit and receive paths.

7. Signalling Feature

7-1. Multiple QT/DQT

The TKR-750 can function as a multiple-QT/DQT decode/encode unit for operation as a community repeater or multiple-QT/DQT base station. Two Multi Tables, called Main and Sub, can be created, each consisting of 16 decode/encode combinations.

The Multi Table function enables the TKR-750 to decode any one of the 16 QT/DQTs pre-programmed into the Multi Table. When receiving a signal (repeater operation), the repeater uses the QT/DQT encode which corresponds to the decoded QT/DQT as set in the Multi Table. In the Multi Table, signalling pair of "No.1" (first column) is defined as "Primary". A receiving signalling (if it is contained within No.1 to No.16) is defined "Current".

From No.2 to No.16, signalling pairs that can be changed between "Main Table" and "Sub Table" using AUX I/O Ports 1-4 are assigned as "Multi Table Select" and the Multi Table Main, the Multi Table Sub or the Multi Table Main/Sub function is executed. When AUX I/O Ports 1~4 are set for "Multi Table Select", these are 4 bit Binary Coded Decimal (BCD) inputs. AUX I/O 1 is a least significant bit (LSB), and "1101" input (LSB on the right side) signifies the Table No.2 and "1100" input signifies the Table No.3.

7-2. Encode Tone in Multiple

When Local Microphone PTT or External PTT is active while the repeater is in use or the duplex-base station is receiving, the encode signalling is determined according to Encode Tone in Multiple function. The simplex-base station always transmits the "Primary" encode QT/DQT.

OPERATING FEATURES

Current : When any PTT as described above is active while the repeater is in use or the duplex-base station is receiving, the “paired” encode QT/DQT associated with receiving QT/DQT is transmitted. When any PTT is active while the repeater or the duplex-base station is in idle period, the “Primary” encode QT/DQT is transmitted.

Primary : When any PTT (provided that the Priority of any PTT is higher than the Priority of Repeat PTT) is active while the repeater is in use, the encode QT/DQT changes “paired” encode QT/DQT to “Primary” while continuing to transmit. When any PTT is active while the repeater is in idle period, the “Primary” encode QT/DQT is transmitted. In the base station, the “Primary” encode QT/DQT is always transmitted regardless of the receiver status.

7-3. QT Reverse Burst Time

During repeat with QT tones, the repeater re-transmits a phase-shifted burst of the QT tone (“reverse burst”) when it detects the radio using the repeater has un-keyed and also sent a reverse QT burst (squellch-tail elimination). This mutes a receiving radio’s speaker audio before its receiver circuit shuts off causing squellch tail noise in the speaker audio. The TKR-750 can select the time between 140 to 200 ms that the QT reverse burst is sent. Typically this time should not have to be adjusted from the default value. The transmission of the QT reverse burst can be also inhibited if the QT Reverse Burst function is set to “No”.

7-4. DQT Turn Off Code Time

During repeat with DQT tones, the repeater re-transmits a specific turn-off code when it detects the radio using the repeater has un-keyed and also sent the turn-off code (squellch-tail elimination). This mutes a receiving radio’s speaker audio before its receiver circuit shuts off causing squellch tail noise in the speaker audio.

The TKR-750 can select the time between 140 to 200ms that the DQT turn-off code is sent. Typically this time should not have to be adjusted from the default value.

7-5. Off Hook Decode

The TKR-750 is able to decode QT/DQT regardless whether the local microphone is in the on- or off-hook condition. When the Off Hook Decode function is enabled, the TKR-750 is capable of QT/DQT decode even though the microphone is in the off-hook condition (or a local microphone is not installed).

8. Scan Feature

8-1. Scan Operation

Providing that the TKR-750 contains two or more non-priority ADD channel or one or more non-priority ADD channel and Priority channel, it starts scanning once the Scan On function is executed and displays “SC” on the 7-seg LED. Scanning stops temporarily if any following conditions be come valid.

- 1) if a RF carrier and a valid QT/DQT is present. The receiving channel number is displayed and the received audio is heard from a speaker.
- 2) if a RF carrier is present, providing that the Monitor On function is executed.
- 3) if the Squellch Off function is executed. Scanning stops on the channel being scanned when Squellch Off is executed, the channel number is displayed and the received audio is heard from a speaker.
- 4) if a local microphone’s hook is in off hook status, providing that the Off Hook Scan function is set to Disable. Scanning stops on the Revert channel, but the audio is not heard until a valid signal is received.

When the received call is ended, scanning automatically resumes after the period set in Dropout Delay Time function has expired. When the Scan Off function is executed, the TKR-750 inhibits scanning and displays the selected channel.

8-2. Scan Sequence

- 1) Normal Scan : When no Priority channel is set, scanning of ADD channels is done in ascending order.
- 2) Single Priority Scan : The Priority channel is set as either a fixed channel or a selected channel. When Priority channel is set, Priority channel and non Priority channel are scanned by turns. When scanning stops on the non Priority channel, calls from the Priority channel are still checked at set intervals while scanning is stopped. This operation is called Look Back and the interval period is selected by the Look Back Time function.

8-3. Revert Channel

The Revert channel is a channel that is used to transmit during scanning. The time from the end of transmission on Revert channel to the time scanning automatically resumes is set in Dwell Time function. The Revert channel types are Last Called, Last Used, Selected, Selected + TalkBack, Priority, and Priority + TalkBack.

- 1) Last Called : The TKR-750 reverts to the channel upon which a call was last received even if scanning has resumed (power on default = selected channel).
- 2) Last Used (with TalkBack) : The TKR-750 reverts to the channel that was last transmitted on (power on default = selected channel). However, if a call is received on a channel other than the last transmit channel and PTT is pressed before scanning resumes, the transceiver “talks back” on the current receive channel.
- 3) Selected : The transceiver reverts to the channel set by the function prior to scan initiation.
- 4) Selected+TalkBack : The TKR-750 reverts to the channel set by the Channel ‘X’ functions or Channel Select function prior to scan initiation. However, if a call is received on a channel other than the selected channel and PTT is pressed before scanning resumes, the transceiver “talks back” on the current receive channel.
- 5) Priority : The TKR-750 always reverts to the Priority channel.

OPERATING FEATURES

- 6) Priority+TalkBack : The TKR-750 always reverts to the Priority channel. However, if a call is received on a channel other than the Priority channel and PTT is pressed before scanning resumes, the transceiver “talks back” on the current receive channel.

9. CW ID and Message

The TKR-750 contains internal automatic station identifiers. The CW ID (Morse code) is set and transmitted on a per-channel basis. The CW ID is transmitted when the interval period is reached (TX Interval Time function), the channel is changed (CW ID on Channel Change function) or CW ID Onfunction is executed. When CW ID is activated by any functions described above, it is actually sent after the total time of TX Delay Time (not applied to CW ID On function) and CW Modulation Delay Time has expired. TX Delay Time is a period from CW ID is activated to the transmitter is keyed.

CW Modulation Delay is a period from the transmitter is keyed to the CW ID tone is sent. The CW ID tone is routed to the Receive Audio (RA) port and a speaker if the Send CW ID to RA function is set to Yes. The TKR-750 contains 8 message banks for CW Message. CW Message 1 to 8 is transmitted on the current channel when the CW Message 1 to 8 On function is activated, respectively.

10. PTT Priority

A number of keying sources can be used to cause the TKR-750 to transmit.

The transmit audio path is switched according to their keying sources and when PTTs is simultaneously activated, the transmit audio path related to the PTT with higher priority is given priority. These are Local Microphone PTT, External PTT, and Repeat PTT.

11. Time Out Timer

The Time Out Timer function determines the period of time users can continuously transmit. When the selected period expires, the transmission is inhibited.

12. Repeat Hold Time

The Repeat Hold Time (hang timer) function is used to prevent the repeater from being repeatedly keyed and unkeyed in response to short message traffic. When a mobile transceiver unkeys, the repeater’s Hold Timer allows the repeater to continue transmitting for a brief period while waiting for a responding end user. If no valid QT/DQT is detected within the Hold Timer period, the transmitter is allowed to unkey. This function determines the period of time that the transmitter is allowed to remain keyed after the loss of a valid QT/DQT received signal.

13. Take Over

The Take Over function is used to disable the external wireline control of the repeater. When Take over function is enabled, the external AUX inputs and Outputs, transmit audio inputs and receive audio outputs, External PTT and External Monitor lines are disabled. All AUX Input functions assigned to any AUX Input stay in their current state. However External PTT and External Monitor switch to the “Off” state.

14. Test Tone

The Test Tone is a single-frequency audio sine wave and is turned On and Off by toggling Test Tone On/Off functions. The transmitter can be modulated without a local microphone by using the test tone. When Test Tone On function is executed and any PTT is activated, the TKR-750 transmits the test tone with mic mute and also routes the test tone to RA port.

15. RF Power

The TKR-750 is able to switch transmission output on a per-channel basis. When the TX High Power function is enabled, the transmission output is set to high power.

16. Fan Action

The TKR-750 has a cooling fan. The Fan Action function determines whether the fan is continuously operated or operates in response to high temperatures only.

17. AUX Input and Output

There are 6 programmable AUX I/O Ports 1~6 (pins 20~25) and 3 programmable AUX Input Ports 1~3 (pins 4~6) on the rear 25 pin D-Sub connector (CONTROL I/O) and 5 programmable AUX Output Ports 1~5 (pins 10, 11, 13~15) on the rear 15 pin TEST/SPKR connector.

The 6 programmable AUX I/O pins are primarily intended for remote control interfaces. Each AUX I/O Port can be set for AUX Input, AUX Output, remote Channel Select or Multi Table Select types. The AUX Input Port can be set execute a single input function or a set of up to three functions when the port is activated. If the port type for an AUX I/O Ports 1~6 is set for “AUX Input”, it will also appear AUX Input window for function programming. The input logic is fixed as active Low.

The AUX Output Port can be set execute a single output function. If the port type for an AUX I/O Ports 1~6 is set for “AUX Output”, it will also appear AUX Output window for function programming. The output logic of AUX Output can be set as either active High or active Low by the Logic Type function. Active High outputs a High (5V) when the programmed condition becomes valid, active Low outputs a Low (0V) when the condition becomes valid.

OPERATING FEATURES / REALIGNMENT

18. Channel Select

AUX I/O Ports 1~4 (1 or all 4) can each be set for "Channel Select" providing up to 16 channel selection capability. These are 1 to 4 bit Binary Coded Decimal (BCD) inputs. AUX I/O 1 is a least significant bit (LSB). When all of AUX I/O Ports 1~4 set to Channel Select, "1110" input (LSB on the right side) signifies the Channel 1 and "1101" input signifies the Channel 2. When the Channel Select function is set to any AUX I/O ports, the Channel 'X' function (Channel Up, Channel Down, Channel 1, etc.) can not be set to the AUX Input ports, but can be set to the PF Keys. Normally the channel control is controlled by the Channel Select function. If the Take Over function is executed, the channel control is disabled to be controlled by the Channel Select and enabled to be controlled by the PF Keys.

19. DC Power Save

The TKR-750 has the DC Power Save feature. The DC Power Save Mode is activated when the DC Power Save On function is executed. When the DC Power Save Mode is activated, all panel LEDs except the Power LED are turned off, and the audio amplifier and the DSP becomes inactive. When the Display On function is executed while the repeater is in the DC Power Save Mode, all panel LEDs become active as normal status indicators on the repeater, and the audio amplifier and the DSP becomes active. However, when the Save Delay Timer A period expires, all panel LEDs except the Power LED are turned off and the audio amplifier becomes inactive again, and when the Save Delay Timer B period expires, the DSP becomes inactive. When the DC Power Save Mode is turned on or off, up to 3 functions pre-programmed into the Save On function or Save Off function are executed in sequence.

20. Power Supply

The TKR-750 is able to use two Power sources that are called Main and Backup. When the Power source changes from Main to Backup or from Backup to Main, up to 3 functions pre-programmed into the Backup Power function or the Main Power function are executed in sequence.

21. Start Up

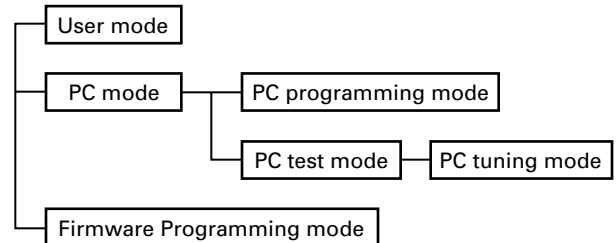
When the TKR-750 is first turned on or is reset, up to 3 functions pre-programmed into the Start Up function are executed in sequence.

22. Optional Board

An optional scrambler board can be installed in the TKR-750. Scrambler codes between 1 and 16 are available per channel. If the scrambler board is not to be used (although it is installed), set the parameter to "Off". When any Scrambler code is set up and the Scrambler On function is executed, the scrambler board is activated.

REALIGNMENT

1. Modes



Mode	Function
User mode	Use this mode for normal operation.
PC mode	Use this mode to make various settings by means of the FPU through the RS-232C port.
PC programming mode	Use to read and write frequency data and other features to and from the repeater.
PC test mode	Use to check the repeater using the PC. This feature is included in the FPU.
Firmware programming mode	Use when changing the firmware program of the flash memory.

2. How to Enter Each Mode

Mode	Operation
User mode	Power on.
PC mode	Received commands from PC.
Firmware Programming mode	[PF1] key + Power on (one second).

3. PC Mode

3-1. Preface

The TKR-750 repeater is programmed by using a personal computer, programming interface and KPG-66D software.

3-2. Connection Procedure

1. Connect the TKR-750 to the personal computer with the interface cable.
2. When power is applied, the user mode is entered immediately. When the PC sends a command, the repeater enters the PC mode and displays "PC" on the 7-segment LED. When data is being transmitted to the PC from the repeater, the TX LED flashes. The BUSY LED flashes when data from the PC is being received by the repeater.

Note :

- The data stored in the personal computer must match the model type, when it is written into the flash memory.
- Change the TKR-750 to PC mode, then attach the interface cable.

REALIGNMENT

3-3. KPG-46 Description (PC Programming Interface Cable : Option)

The KPG-46 is required to interface the TKR-750 to the computer. It has a circuit in its D-sub connector (25-pin) case that converts the RS-232C logic level to the TTL level.

The KPG-46 connects the microphone connector of the TKR-750 to the computer's RS-232C serial port.

3-4. Programming Software Description

The KPG-66D programming disk is supplied in 3-1/2" disk format. The software on the disk allows a user to program TKR-750 repeater via the programming interface cable (KPG-46).

3-5. Programming With IBM PC

Data can be programmed into the flash memory in RS-232C format via the microphone connector.

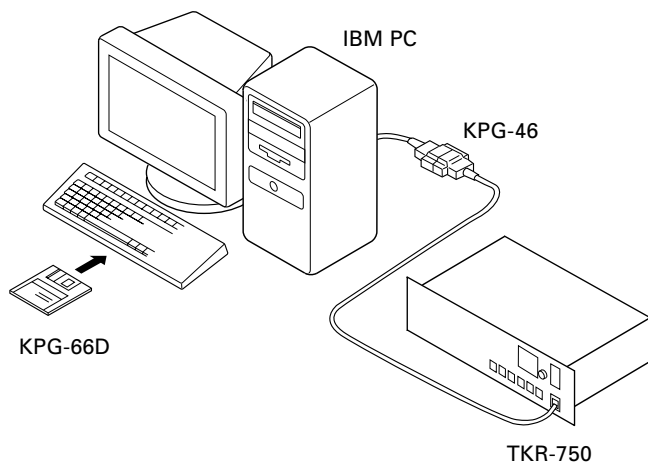


Fig. 1

4. Firmware Programming Mode

4-1. Preface

The TKR-750 uses flash memory to allow it to be easily upgraded when new features are released in the future.

4-2. Connection Procedure

Connect the TKR-750 to the personal computer (IBM PC or compatible) with the interface cable (KPG-46). (Connection is the same as in the PC mode.)

Notes :

You can only program firmware from the 8-pin microphone connector on the front panel. Using the 25-pin logic interface on the rear panel will not work.

4-3. Programming

1. Start up the programming software (Fpro. exe).
2. Set the communications speed (normally, 115200 bps) and communications port in the configuration item.
3. Set the firmware to be updated by file name item.
4. Turn the TKR-750 power on with the [PF1] key held down. Hold the key down for one second until the 7-segment display changes to "P.G.". When "P.G." appears, release your finger from the key.
5. Check the connection between the TKR-750 and the personal computer, and make sure that the TKR-750 is in the program mode.
6. Press write button in the window. A window opens on the display to indicate progress of writing.
7. If writing ends successfully, the TX LED on the TKR-750 lights.
8. If you want to continue programming other TKR-750s, repeat steps 3 to 6.

Notes :

This mode cannot be entered if the firmware program mode is set to disable in the programming software (KPG-66D).

4-4. Function

If you press the [PF1] key (front panel), both decimal points on the 7-segment display will disappear. The writing speed is 38400 bps (low-speed mode). If you press the [PF1] key again, the right hand decimal points will light. The writing speed is 57600 bps (middle-speed mode).

Note :

Normally, write in the high-speed mode (115200 bps).

INSTALLATION

1. External Power Supply Connection

(Rear Connectors) : See Page 3

This unit has two external power supply connectors : Main DC and Backup.

If an external DC power supply is connected to the main DC connector and a backup battery is connected to the Backup connector at the same time, the DC power supply switches to the battery automatically if power failure occurs. Therefore, the operation of the repeater can be continued.

If the battery is used, but both the battery and power supply need not be connected (if an external switch is used or if only a solar battery is used), connect it to the Backup connector, not the Main DC connector. Current consumption can be reduced by approx. 120mA because the relay is not used.

If it is installed when the temperature at the repeater site is below freezing, check whether the switch (relay) works properly after installation.

2. Voice Scrambler

It operates only during base operation. The voice is not scrambled when it is repeated.

2-1. Modification

1) Remove R742 and R653 on the TX-RX unit (B/2) : control section.

2-2. Connection

- 1) The functions of pins of CN601 on the TX-RX unit (B/2) : control section are shown in the figure.
- 2) Join the CN601 connector to the voice scrambler board via the E37-0808-05 connector cable.

When the operation is checked in PC test mode after the modification, and the maximum deviation is adjusted, the voice from the local microphone is not modulated. In this case, remove the CN601 12-pin (PTO) cable and connect it to the land of the display unit (X54-333) from the voice scrambler. The voice from the local microphone can be modulated in PC test mode.

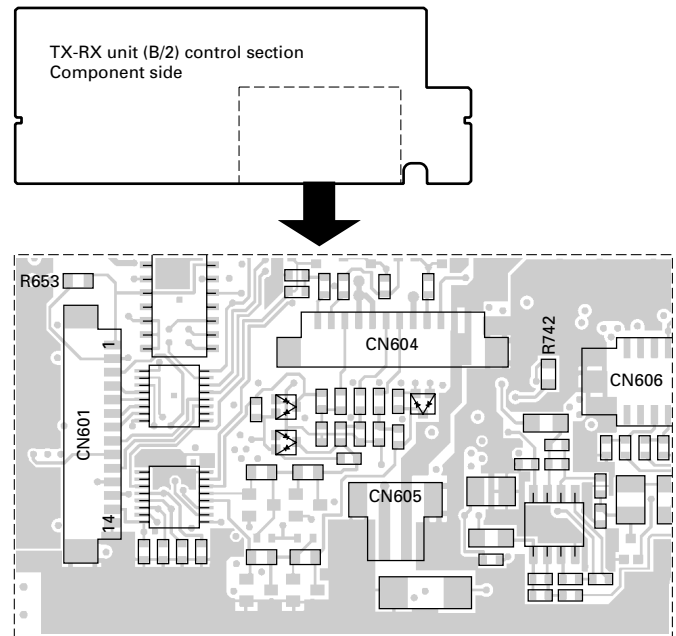


Fig. 1

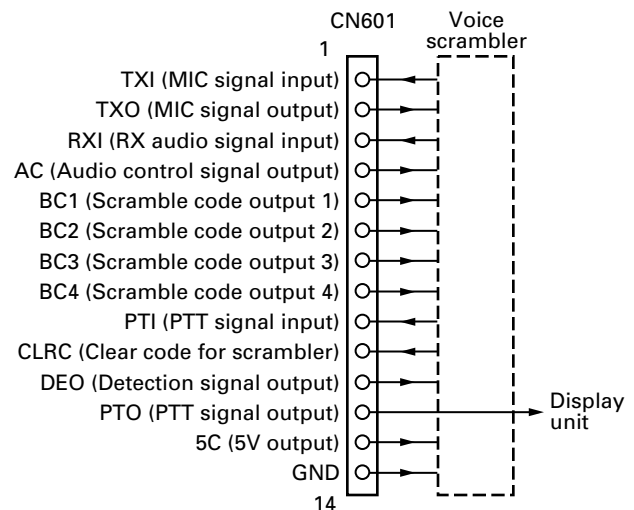


Fig. 2

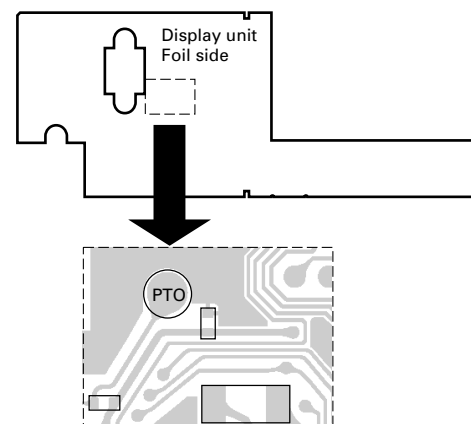


Fig. 3

INSTALLATION

3. External Speaker (KES-4)

The TKR-750 has a internal built-in speaker (5W/8Ω), and the external speaker output from the TEST/SPKR connector (15-pin) on the rear of the radio is 4W/4Ω. Use external speaker KES-4.

3-1. Connection for the KES-4 With the TKR-750

■ When taking the AF output from the TEST/SPKR connector (15-pin) on the rear of the radio

The following tools are required for changing the connector.

• Extracting tool

The following extracting tool is recommended :
Molex Inc. Order No. : 11-03-0002

1. Remove the connector with jumper from the external speaker connector on the rear panel of the radio. (Fig. 4-1)

Note : Save the jumper, which is required when the radio is used without the external speaker.

2. Remove the terminals with the jumper from the connector housing holes number 9 and 12 using the extracting tool.

Removing the jumper lead (Fig. 4-2)

- 1) Insert the extracting tool (11-03-0002) into the connector while pushing the jumper lead in the direction of (a).
 - 2) Push the extracting tool into collapse the barbs of the crimp terminal.
 - 3) Pull out the lead while continuing to push the extracting tool in the direction (b).
3. Reinsert the terminal with the black and white stripe lead into hole number 12, and the terminal with the black lead into hole number 6. (Fig. 4-3)
 4. Attach the connector to the external speaker connector on the radio.

Note :

Relationship between TEST/SPKR connector (15-pin) connection and speaker output.

When pins 9 and 12 are shorted : Built-in internal speaker is used.

When pins 9 and 12 are open and output is from pins 6 and 12 : KES-4 is used.

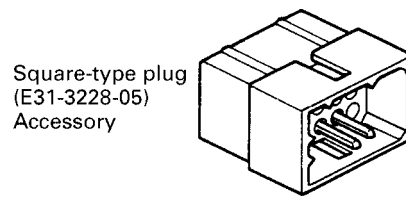


Fig. 4-1

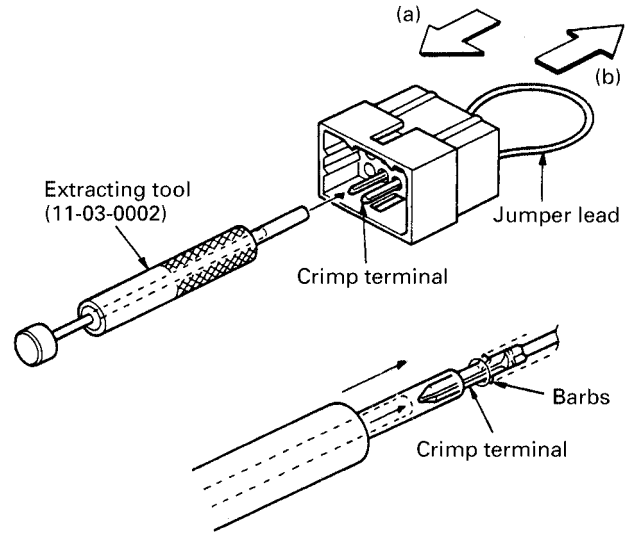


Fig. 4-2

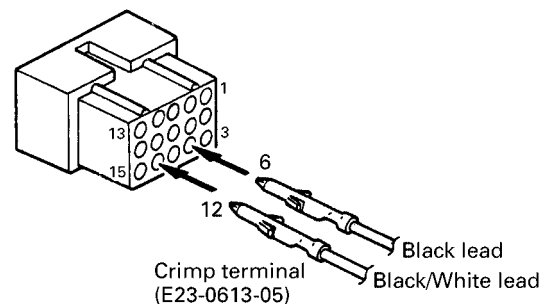


Fig. 4-3

MODIFICATION

1. Modification for Sinking the Collector Current Up

Auxiliary output 1 and 2 can each be modified to sink 600mA of the collector current. The following modification should be installed when Auxiliary output 1 or 2 is used to control external equipment.

1. Remove D625, R755, and R769 for Auxiliary output 1 (D624, R756, and R770 for Auxiliary output 2) on the component side of the control section for TX-RX unit PCB.
2. Install \$Q608, \$Q612, and \$R761 for Auxiliary output 1 (\$Q607, \$Q611, and \$R759 for Auxiliary output 2) on the component side of the control section for TX-RX unit PCB.
\$Q607, \$Q608, \$Q611, \$Q612 : DTD114EKA
\$R759, \$R761 : 3.9k Ω (RK73GB1J392J) chip resistor.
3. Change R801 for Auxiliary output 1 (R797 for Auxiliary output 2) from 1k Ω (RK73GB1J102J) to 0 Ω (R92-1252-05).

By making this modification, Auxiliary output 1 and 2 can now sink up to 600mA each.

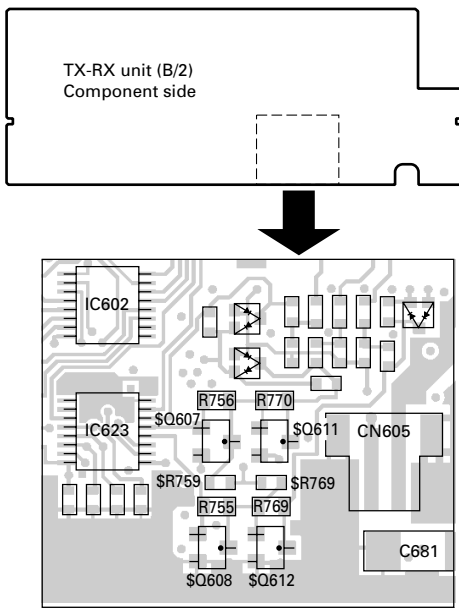


Fig. 1

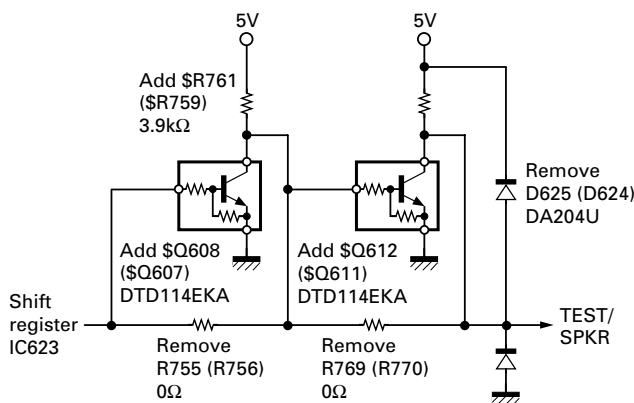


Fig. 2

2. DC Source Switch

To prevent the power supply from turning off due to misoperation of the DC source switch on the front panel or accidents (tampering) after installation, the main unit can be kept on regardless of the on/off of the DC source switch on the front panel.

Short the PSW land near K1 relay by soldering.

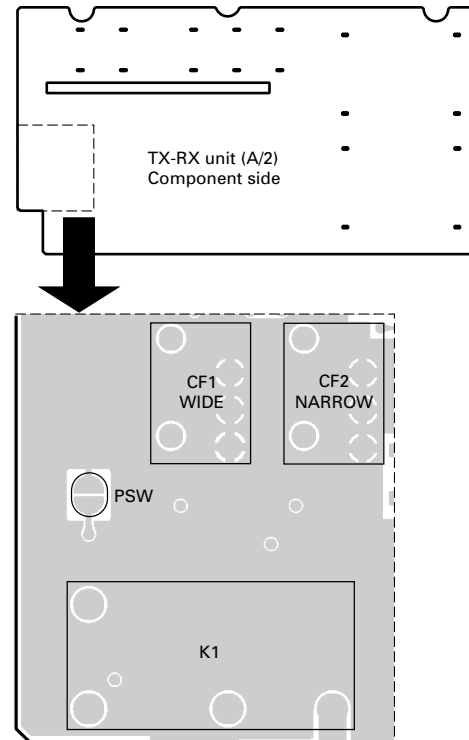


Fig. 3

MODIFICATION / DISASSEMBLY FOR REPAIR

3. Trickle Charge for Backup Battery

If the external DC power supply is connected to the Main DC connector and a backup battery (12V rechargeable type) is connected to the Backup connector at the same time, the battery can be trickle-charged from the external DC power supply with a maximum current of 0.5A.

Short the CHARGE land near R61.

Notes :

1. Make this modification after removing the DC power supply and battery for safety.
2. When the DC power supply is connected after the modification, DC voltage is output to the Backup connector. Be careful during setup.
3. When the backup battery is used for a long time, remove the battery from the repeater and recharge it because the trickle charge is not sufficient for recharging a completely discharged battery.

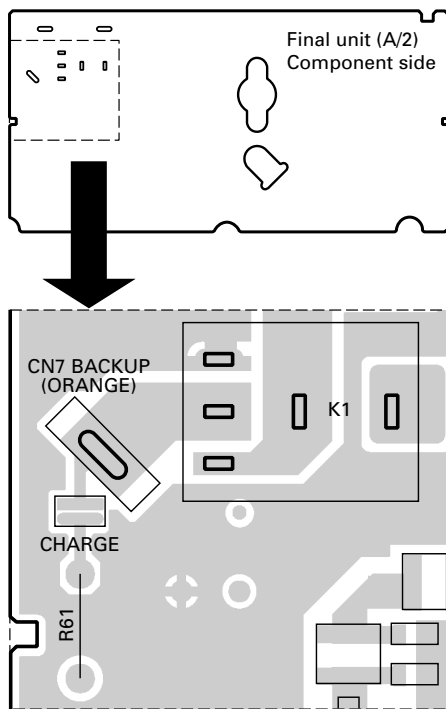


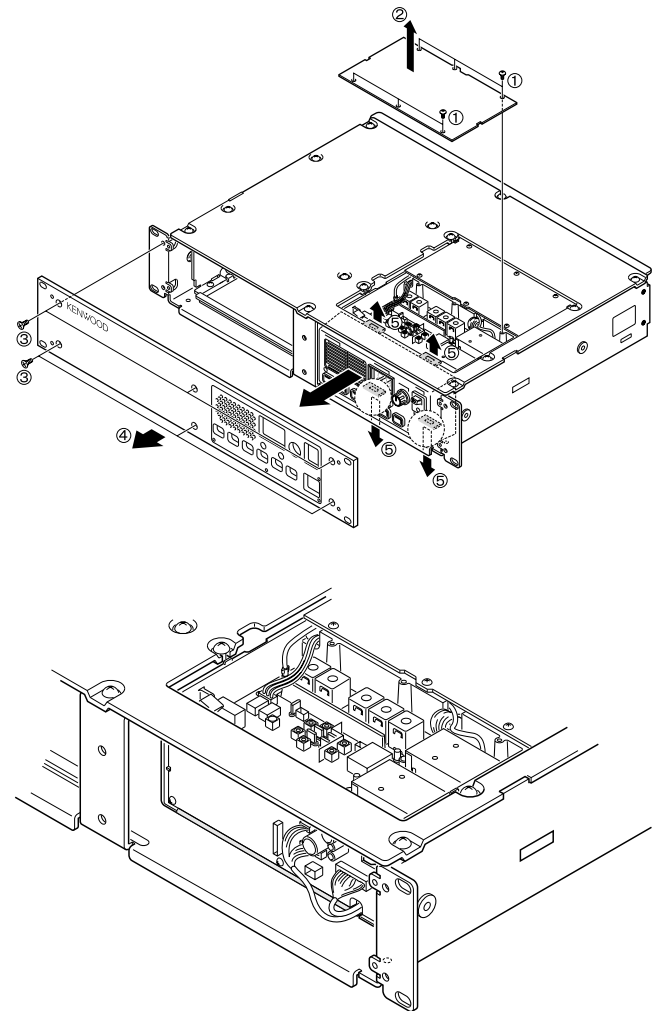
Fig. 4

DISASSEMBLY FOR REPAIR

How to Remove the Panel Assy (ABS)

Note : You can remove the panel assembly (ABS) without removing the top panel (A62-0840-03).

1. To remove panel (TX-RX, ②), loose 6 screws (①).
2. To remove panel assembly (Front, ④), loose 6 screws (③).
3. The panel assembly (ABS) is security fastened by 4 tabs (⑤) on top and bottom. You can remove the panel assembly by pulling to front while you are pulling up the tabs.



CIRCUIT DESCRIPTION

1. Outline

The TKR-750 is a VHF/FM repeater designed to operate in the frequency range of 136 to 174MHz.

The unit consists of receiver, transmitter, phase-locked loop (PLL) frequency synthesizer, and control circuits.

2. Receiver Circuit

The receiver is double conversion super-heterodyne, designed to operate in the frequency range of 146MHz to 174MHz (K,E) or 136MHz to 150MHz (K2).

The receiver circuit located in TX-RX unit (X57-626 A/2) consists of the following : 2-1 front-end circuit, 2-2 first mixer, 2-3 IF amplifier circuit, 2-4 audio amplifier circuit, and 2-5 squelch circuit.

2-1. Front-end Circuit

The front-end circuit consists of BPF L2/L3, RF amplifier Q1, and BPF L5/L6/L7. The helical BPF covers frequency ranges 146 to 174MHz (K,E) and 136 to 150MHz (K2), with a passband of 3.0MHz.

The BPF L5/L6/L7 attenuates the unwanted signals, and sends only the necessary signal to the first mixer DBM A1.

2-2. First Mixer

The signal from the BPF is heterodyned with the first local oscillator signal from the PLL frequency synthesizer circuit at the first mixer DBM (A1) to become a 44.85MHz first intermediate frequency (IF) signal. The first IF signal is fed through two monolithic crystal filters (XF2; Wide, XF1; Narrow) to further remove spurious signals.

2-3. IF Amplifier

The first IF signal is amplified by Q2 and Q3, and then enters IC9 (FM system IC). The signal is heterodyned again with a second local oscillator signal (44.395MHz) with in IC9 to become a 455kHz second IF signal. The second IF signal is fed through a 455kHz ceramic filter, CF1 (Wide), CF2 (Narrow) to further eliminate unwanted signal, and the quadrature detection circuit FM-detects the signal to produce a base-band signal and output it from pin 11.

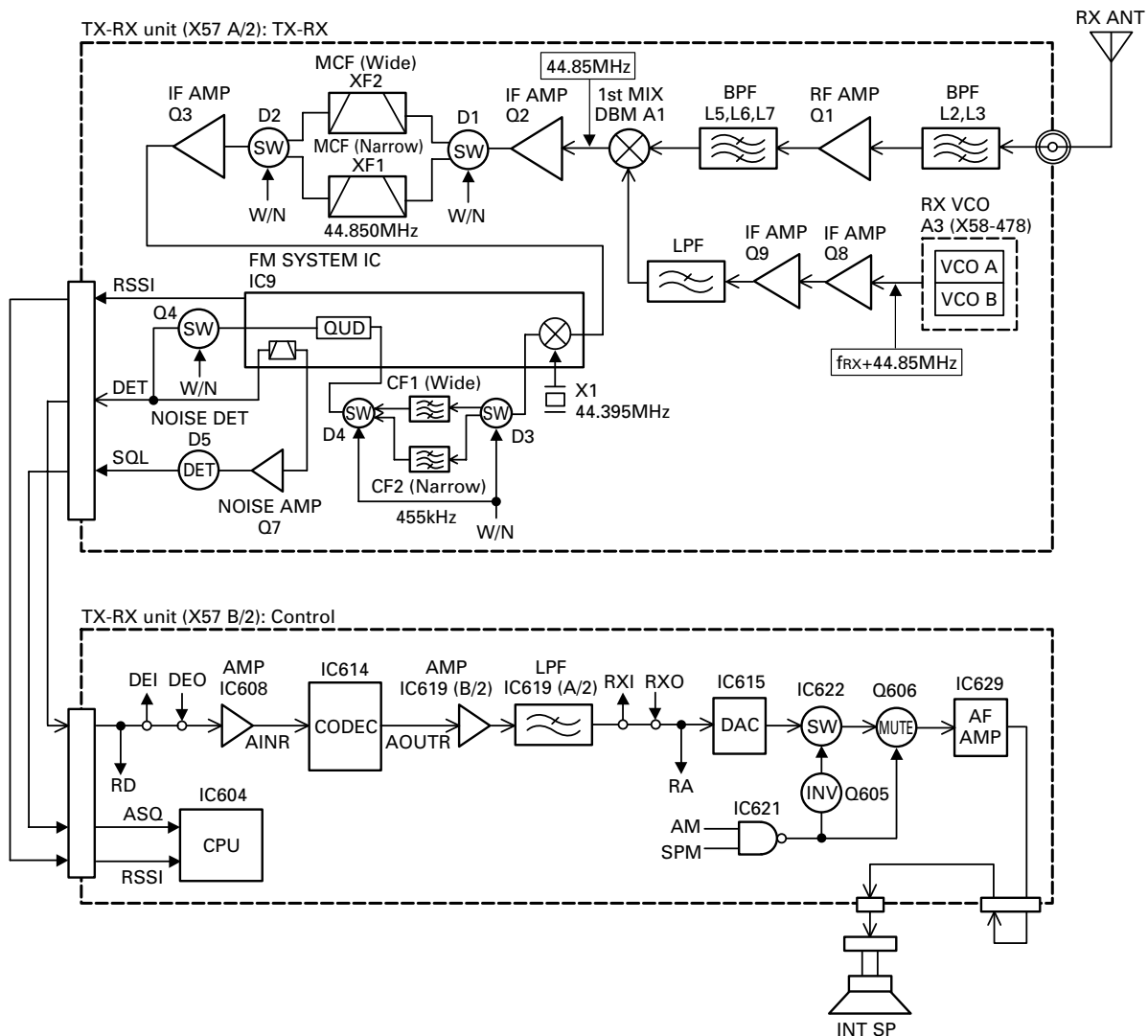


Fig. 1 Receiver circuit

CIRCUIT DESCRIPTION

2-4. Audio Amplifier

The audio amplifier circuit is located in control section of TX-RX unit (X57-626 B/2). The recovered audio signal obtained from IC9 is amplified by IC608, input to the AINR terminal of CODEC IC (IC614), and audio processed by DSP (IC618).

The processed audio signal from AOUTR terminal of IC614 is amplified by IC619 (B/2) to a sufficient level, anti-aliasing filtered by IC619 (A/2). The audio signal goes to an electronic volume (IC615) V3/V4, to the input of multiplexer IC (IC622), and is amplified to drive a loudspeaker by an audio power amplifier (IC629). The 4W audio output can be provided to external 4 ohms speaker through the 15-pin test connector "SPO, SPG" on the rear panel.

2-5. Squelch Circuit

The output signal from IC9 enters FM IC again, then passed through a band-pass filter.

The noise component output from IC9 is amplified by Q7 and rectified by D5 to produce a DC Voltage corresponding to the noise level. The DC voltage is sent to the analog port of the CPU (IC604).

IC9 outputs a DC voltage (RSSI) corresponding to the input of the IF amplifier.

3. Transmitter Circuit

The transmitter circuit consists of the following circuits : 3-1 microphone circuit, 3-2 modulation level adjustment circuit, 3-3 driver and final power amplifier circuit, and 3-4 automatic power control circuit.

3-1. Microphone Circuit

The signal from the microphone is passed through AGC circuit located in display unit (X54-333), so that it does not saturate. This circuit consists of IC501, D501, D502, Q501, and Q502. The AGC is operated by controlling the + and - side levels of amplitude using the current obtained by positive and negative detection of the amplified audio signal. The audio signal goes to control section of TX-RX unit (X57-626 B/2) from display unit (X54-333).

The transmit audio signal goes to the input of the multiplexer IC (IC605) for microphone muting. The audio signal is amplified by IC610, input to the AINL terminal of CODEC IC (IC614), and audio processed by DSP (IC618). The processed audio signal from the AOUTL terminal of IC614 is amplified by IC616 (B/2) to a sufficient level, anti-aliasing filtered by IC616 (A/2), and amplified by the summing amplifier IC611 (A/2).

3-2. Modulation Level Adjustment Circuit

The output of the summing amplifier IC611 (A/2) is passed to an electronic volume (IC615) for maximum deviation adjustment before being applied to a varactor diode in the voltage controlled oscillator (VCO) A2 located in TX-RX unit (X57-626 A/2).

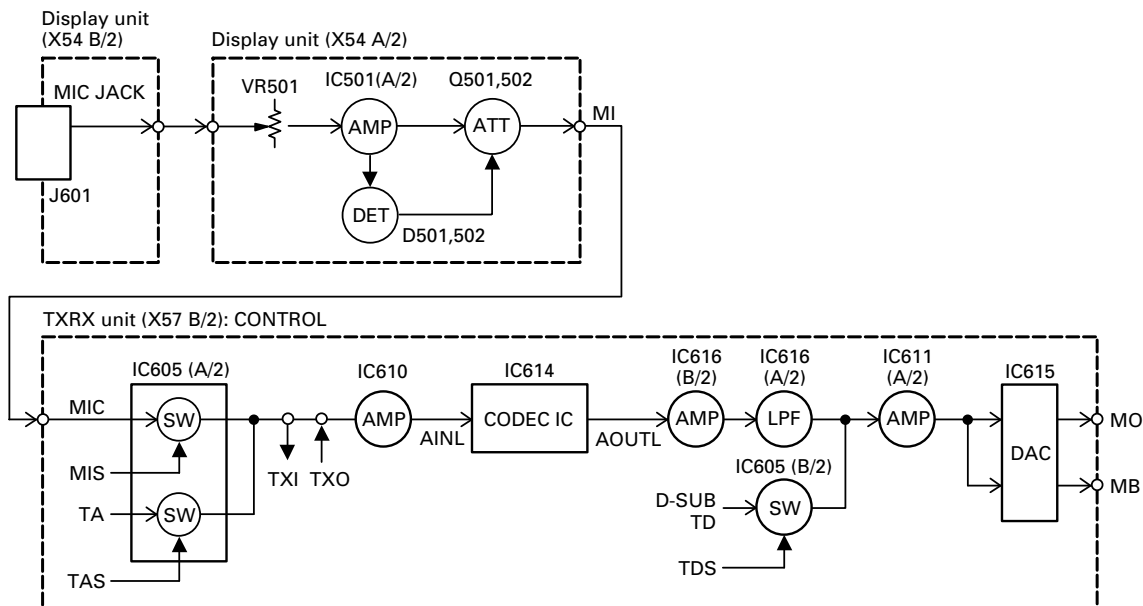


Fig. 2 Microphone circuit

CIRCUIT DESCRIPTION

3-3. Driver and Final Power Amplifier Circuit

The transmit signal is generated by the TX VCO (A2), amplified by Q11, and sent to final unit (X45-362). This amplified signal is amplified by Q2, Q3, and Q4, and is passed to the FINAL stage. The RF power amplifier consists of MOS FET.

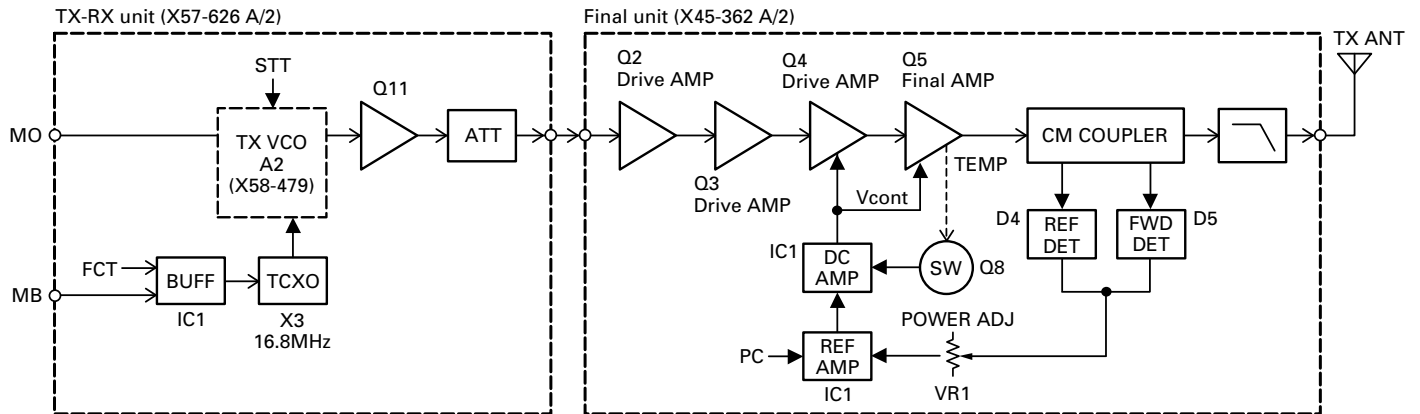
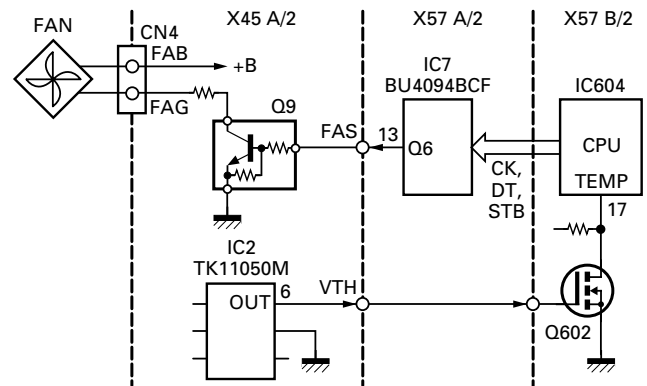


Fig. 3 Driver and final power amplifier circuit

3-4. Automatic Power Control, Circuit and Transmitter

The automatic power control (APC) circuit stabilizes the transmitter output power at a pre-determined level, and consists of forward/reflected power detector circuits, and switching transistor Q8. The forward/reflected power detector circuits detects forward RF power and reflected RF power to DC voltage, and consists of a CM coupling type detection circuit formed by a strip line, RF detector D4/D5, and DC amplifier IC1 (A/2).

The voltage comparator (IC1 B/2) compares the above detected voltage with a reference voltage, set using the microprocessor and IC6 located in the TX-RX unit. An APC voltage proportional to the difference between the sensed voltage and the reference voltage appears at the output of IC1. This output voltage controls the gate voltage for the drive amplifier Q4 and final amplifier Q5, which keeps the transmitter output power constant.



[Fan operation]

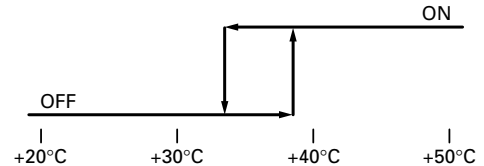


Fig. 4 Fan action control circuit

3-5. Fan Action Control Circuit

If fan action is set to "Temperature", the cooling fan is turned ON or OFF according to temperature.

If the ambient temperature of the final unit exceeds approx. 40°C, the output from pin 6 of the temperature detection IC2 changes from L to H. This signal is sent to the CPU (IC604) by Q602 in the TX-RX unit B/2 (control section), and the output from pin 13 (FAS) of IC7 in the TX-RX unit A/2 controlled by the CPU goes H.

This signal turns Q9 in the final unit ON to run the cooling fan. It has a hysteresis of approx. 5°C by IC2. If fan action is set to "Continuous", the fan operates continuously, but Q9 stays ON.

CIRCUIT DESCRIPTION

4. PLL Frequency Synthesizer

The PLL frequency synthesizer circuit consists of the following circuits : 4-1 receiver PLL circuit, 4-2 transmitter PLL circuit, and 4-3 unlocked detector circuit.

4-1. Receiver PLL

The receiver PLL circuit is located in VCO unit A3 (X58-478) on TX-RX unit (X57-626 A/2), and consists of VCO X2, VCO's (Q350 and Q351), a single-chip PLL IC IC300, buffer amplifier Q355, and high-frequency amplifier Q302.

The VCXO generates 16.8MHz. The frequency stability is within ± 2.0 ppm (Temperature range of -30 to $+60^{\circ}\text{C}$). The frequency tuning of the VCXO is done to apply a voltage to pin 1 of the VCXO. The output of the VCXO is applied to pin 8 of the PLL IC through the pin 7 of the VCO.

The first local oscillator is an upper heterodyne local oscillator, and the VCO oscillator frequency is 180.850 to 218.850MHz. Two VCOs cover the two bands : Q350 covers the lower band and Q351 VCO covers the upper band.

The oscillator frequency is controlled by applying the VCO control voltage, obtained from the phase comparator to the varactor diodes.

4-2. Transmitter PLL

The transmitter PLL circuit is located in VCO unit A2 (X58-479) on TX-RX unit (X57-626 A/2), and consists of VCXO X3, VCO's (Q350 and Q351), a single-chip PLL IC IC300, buffer amplifier Q355, and high-frequency amplifier Q302.

The VCXO generates 16.8MHz. The frequency stability is within ± 2.0 ppm (Temperature range of -30 to $+60^{\circ}\text{C}$). The frequency tuning and modulation of the VCXO are done to apply a voltage to pin 1 of the VCXO. The output of the VCXO is applied to pin 8 of the PLL IC through the pin 15 of the VCO.

The VCO oscillator frequency is 136.00 to 174.00MHz. Two VCOs cover the two bands : Q350 covers the lower band and Q351 VCO covers the upper band.

The oscillator frequency is controlled by applying the VCO control voltage, obtained from the phase comparator to the varactor diodes.

4-3. Unlock Detector Circuit

If a pulse signal appears at the LD pin of IC300, an unlock condition occurs, causing the voltage applied to the pin of the microprocessor to go low. The names of this pin are LDT for TX PLL and LDR for RX PLL. When the microprocessor detects this condition, the transmitter is disabled.

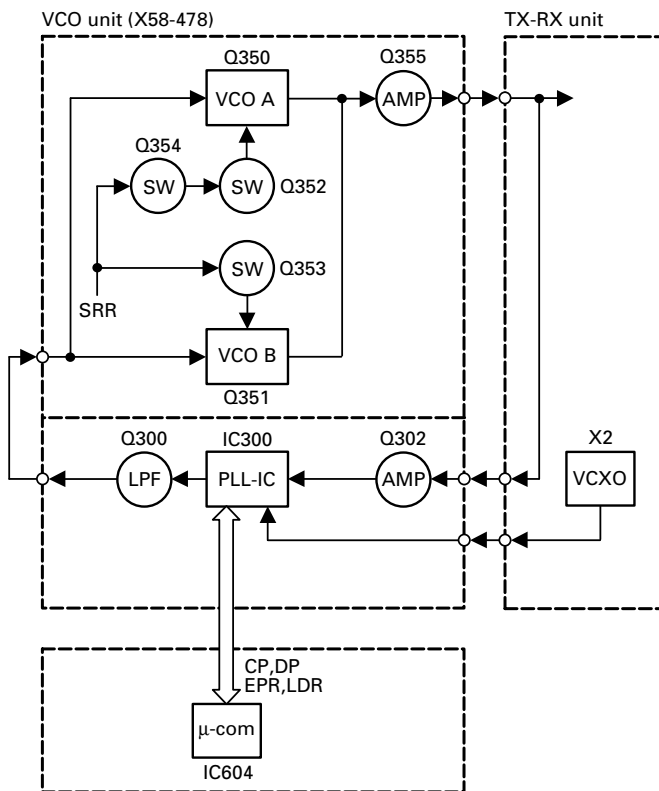


Fig. 5 Receiver PLL

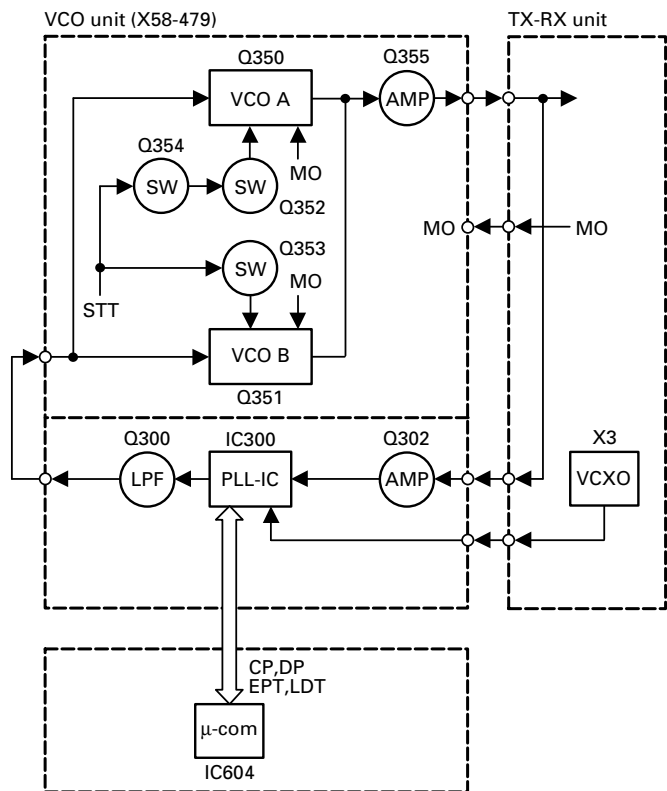


Fig. 6 Transmitter PLL

CIRCUIT DESCRIPTION

5. Control Circuit

The control circuit mainly located in the control section of TX-RX unit (X57-626 B/2) consists of the following : 5-1 CPU, 5-2 memory circuit, 5-3 CPU clock shift, 5-4 shift register circuit, 5-5 display circuit, 5-6 DSP circuit, 5-7 base-band circuit, 5-8 RS-232C circuit, and 5-9 power supply circuit.

5-1. CPU

The CPU (IC604) is a 16bit single-chip microcomputer containing a 32k ROM and 3k RAM. This CPU controls the flash ROM, the DSP, the receiver circuit, the transmitter circuit, the control circuit, and the display circuit and transfers data to or from an external device.

5-2. Memory Circuit

IC609 has a flash ROM with a capacity of 2M bits that contains the control program for the CPU, the signal processing program for DSP and data such as channels and operating features.

This program can be easily written from an external device. Data such as the operating status are programmed into the EEPROM (IC600).

5-3. CPU Clock Shift

There are the 14.754MHz clock for the CPU (IC604) and the 16.515MHz clock for the DSP (IC618) at the control section of TX-RX unit (X57-626). When these clocks are multiplexed with the reception frequency, they become an internal beat signal. To prevent this, by tuning Q600 and Q604 on the clock frequency is shifted. (Shift on/off can be set through programming.)

5-4. Shift Register Circuit

Serial data is sent to the shift register (IC502 to IC505 located in display unit, IC602, IC623, IC7 located in TX-RX unit) from the CPU (IC604) to control various functions in the unit.

5-5. Display Circuit

The display circuit (X54-333) contains two 7-segment LEDs D506, D507 (orange : see the operation manual for details of display), D503 (red : transmission), D504 (green : busy), two-color LED D505 (red : backup, green : main DC), LEDs in switches S501 to S506, IC502, IC503, IC504, and IC505 to display this model channels and states.

IC502 to IC505 are shift registers which convert serial data from the CPU to parallel data and light LEDs.

Q507, Q510, and Q511 are switching transistors which control two-color LED D505.

IC506, and IC507 are three-pin power supply ICs which produce power used for the display circuit.

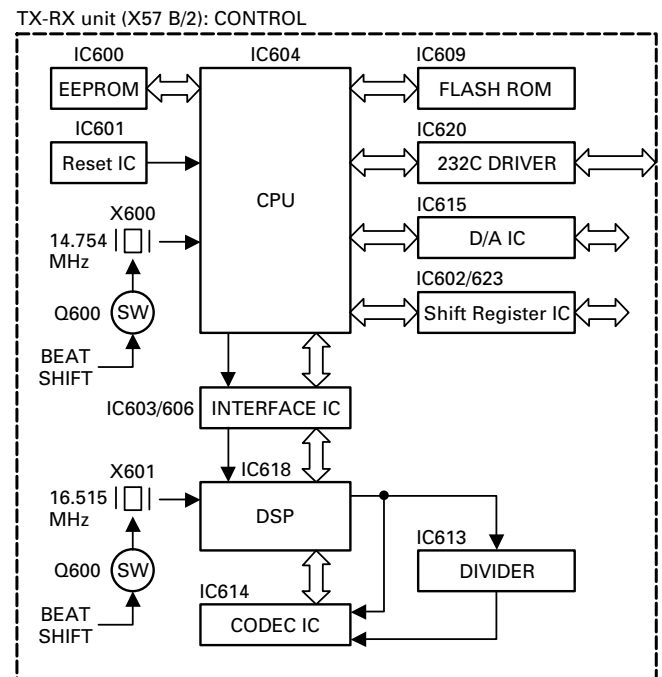


Fig. 7 Control circuit

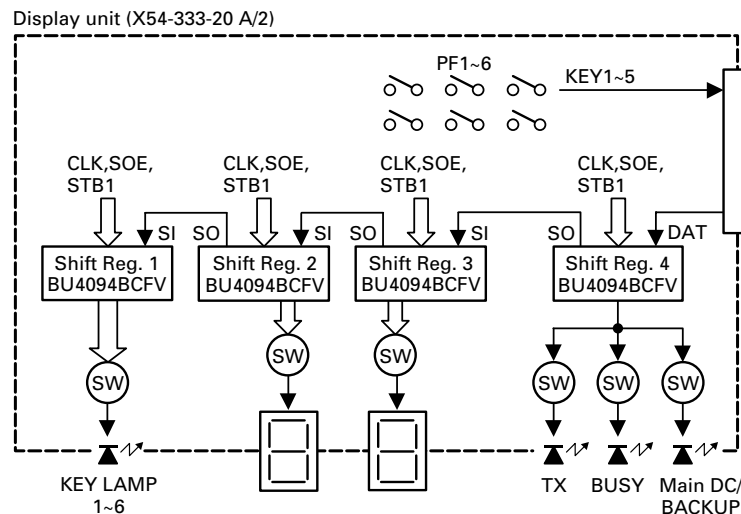


Fig. 8 Display circuit

CIRCUIT DESCRIPTION

5-6. DSP

The DSP circuit filters transmit/receive audio signal and encode/decodes signaling (QT, DQT). This circuit consists of IC618, IC612, IC613, IC614, IC603, IC606, IC608, IC610, IC616, and IC619.

The receive signal DET is converted from analog to digital by IC614 with a sampling frequency of 16.128kHz. The digitized audio signal is sent to DSP IC618 to process the signaling signal and audio signal. The processed digital audio signal is fed to CODEC IC614, converted from digital to analog, and the analog signal is output from pin 16 (AOUTR). Then, the audio signal is amplified by IC619 (B/2), passes through the IC619 (A/2) low-pass filter, and goes to an electronic volume IC615.

The transmit audio signal coming from IC605 is amplified by IC610, fed to pin 3 (AINL) of CODEC IC614, and converted from analog to digital at a sampling frequency of 16.128kHz. The digitized transmit audio signal is AGC-processed, pre-emphasized and filtered at 300Hz to 3kHz by DSP IC618, and the resulting signal is fed back to CODEC IC614, and converted from digital to analog, and the analog signal is output from pin 15 (AOUTL). The transmit signal from AOUTL is amplified by IC616 (B/2), passes through the IC616 (A/2) low-pass filter, and goes to the IC611 (A/2) summing amplifier.

IC613 is a counter IC and the clock required for the CODEC and DSP is generated by dividing the 16.515MHz clock signal produced by DSP IC618.

IC603 and IC606 are interface IC between the CPU operated at 5.0V and the DSP operated at 3.3V.

5-7. Base-Band Circuit

The base-band circuit switches between the modulation signal to the transmitter circuit, and remote audio and adjusts their levels. This circuit consists of IC605, IC607, IC611, IC615, and IC617.

Modulation inputs include local microphone input, low-speed data (LSD), high-speed data (HSD), external audio input (TA), and external data input (TD), and demodulation outputs include receive audio output (RA), and receive data output (RD).

The multiplexer (IC605) changes signals, the electronic volume (IC615) adjusts the level, and the operational amplifier (IC607, IC611, IC617) amplifiers and sums signals.

5-8. RS-232C Circuit

The RS-232C circuit connects the RS-232C serial port of a personal computer directly to this model to perform FPU operation. The FPU operation can also be performed by connecting a programming cable (KPG-46) to the local microphone on the front panel. But, if the D-sub connector on the rear panel is used, the programming cable is not required. The 232C driver IC (IC620) changes the TTL-232C level. The firmware can only be rewritten with the local microphone on the front panel.

5-9. Power Supply Circuit

The power supply circuit generates power to operate the CPU, DSP, flash ROM, bi-directional buffer, and base-band circuit. This circuit consists of IC624, IC625, IC626, IC627, IC628, and IC630.

6. DC Power Supply Circuit

6-1. DC Source Switching Relay Circuit

1. The final unit contains a relay (K1) for switching between the Main DC and Backup Battery.

If an external power source is connected to the Main DC terminal, the Backup terminal is isolated by the relay. If the Main DC turns OFF due to power failure, it is switched to the Backup terminal by the relay.

The CPU monitors which is used, Main DC or Backup Battery.

2. Trickle charge circuit

If both Main DC and Backup Battery are connected, trickle charging of 0.5 A max. can be performed from the Main DC power supply to the Battery.

(The default is OFF. See the Modification section for information on the modification method.)

The battery is charged from the Main DC with D8, D9 and R61. If it exceeds 0.5 A, the charging circuit is turned OFF by D9.

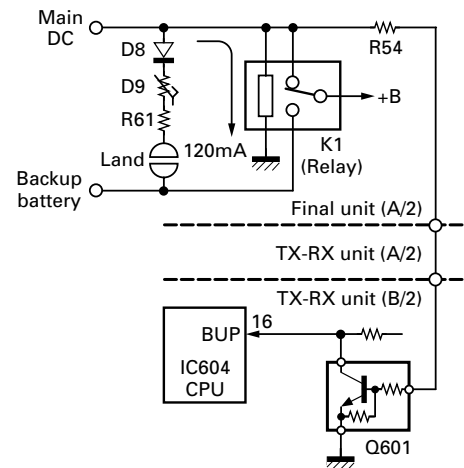


Fig. 9 DC source switching relay circuit

6-2. SB Switching Relay Circuit

1. SB (Switched +B) is supplied through the relay (K1) in the TX-RX unit A/2.

When S507 (DC source switch) in the display unit is turned ON, the relay (K1) is turned ON to output SB.

2. If +B exceeds 18V, the relay is forcibly turned OFF by D12 and Q25 to interrupt the power and protect the main unit.

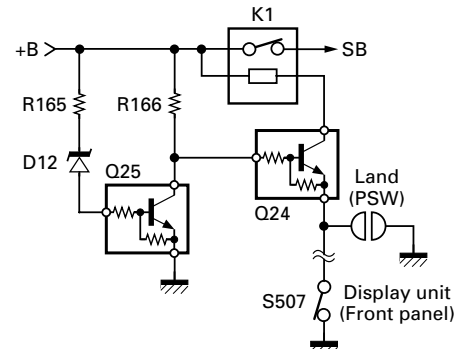


Fig. 10 SB switching relay circuit

SEMICONDUCTOR DATA

Main CPU : 30622M4-113GP (TX-RX unit IC604)

■ Pin Function

Pin No.	Name	I/O	Function	Pin No.	Name	I/O	Function
1~5	IO5~IO1	I/O	Aux I/O No.5~No.1 (Acc D-sub 25 pin)	40	HLDA	-	Not used
6	BYTE	-	5V	41	BCLK	O	Not used
7	CNVss	-	GND	42	RD	O	Flash ROM WR/DSP HDS1
8	ENT	O	TX PLL IC enable	43	BHE	-	Not used
9	ENR	O	RX PLL IC enable	44	WR	O	Flash ROM WR/DSP HDS2
10	Reset	I	Microcomputer reset input	45	STB2	O	Control shift register STB
11	Xout	-	14.7456MHz	46	INTx	O	DSP interrupt H : Off, L : On
12	Vss	-	GND	47	HCS	O	DSP HCS
13	Xin	-	14.7456MHz	48	CS0	O	Flash ROM CS
14	Vcc	-	5V	49	A19	O	Not used
15	NMI	-	Not used	50~59	A18~A9	O	Flash ROM address bus
16	BUP	I	Backup battery detect H : Backup, L : Main	60	Vcc	-	5V
17	TEMP	I	Temperature detect for fan action H : Temp high, L : Temp low	61	A8	O	Flash ROM address bus
18	EPTT	I	Acc PTT (Acc D-sub 25 pin) H : Off, L : On	62	Vss	-	GND
19	CLK	O	Common clock	63~70	A7~A0	O	Flash ROM address bus
20	DAT	O	Common data	71	EMON	I	Acc monitor (Acc D-sub 25 pin) H : Off, L : On
21	SFT	O	Beat shift H : On, L : Off	72	LDR	I	RX VCO lock detect H : Lock, L : Unlock
22	LD1	O	Control D/A converter LD	73	LDT	I	TX VCO lock detect H : Lock, L : Unlock
23	STB3	O	Control shift register STB	74,75	KEY5,KEY4	O	Key matrix output
24	LD2	O	TX/RX D/A converter LD	76~78	KEY3~KEY1	I	Key matrix input
25	STB4	O	TX/RX shift register STB	79~86	D7~D0	I/O	Flash ROM data bus
26	RS	O	DSP reset H : Off, L : On	87	FWD	I	RF power down level input
27	SC	O	Squelch control (Acc D-sub 25 pin) H : Inactive, L : Active	88	RSSI	I	RSSI level input
28	PTT	I	Mic PTT H : Off, L : On	89	ASQ	I	Squelch level input
29	TXD1	O	Mic TXD	90	VLI	I	Volume level input
30	RXD1	I	Mic HOOK/RXD	91	BATT	I	Power supply voltage level input
31	SCLK	O	EEPROM clock	92	AI1	I	Aux input No.1 (Acc D-sub 25 pin)
32	SDAT	I/O	EEPROM data	93	AI2	I	Aux input No.2 (Acc D-sub 25 pin)
33	TXD0	O	Acc TXD (Acc D-sub 25 pin)	94	AVss	-	GND
34	RXD0	I	Acc RXD (Acc D-sub 25 pin)	95	AI3	I	Aux input No.3 (Acc D-sub 25 pin)
35	CP	O	PLL IC clock	96	Vref	-	5V
36	DP	O	PLL IC data	97	AVcc	-	5V
37	RDY	I	CPU ready input	98	STB1	O	Display shift register STB
38	ALE	-	Not used	99	SOE	O	Shift register common OE
39	HOLD	-	Not used	100	IO6	I/O	Aux I/O No.6 (Acc D-sub 25 pin)

SEMICONDUCTOR DATA

DSP : 320VC5402PGE (TX-RX unit IC618)

■ Pin Function

Pin No.	Name	I/O	Function
1,2	NC1,NC2	-	Not used (No connection)
3	Vss	-	GND
4	DVDD	-	VDD for I/O pins (+3.3V)
5	A0	O	Not used (No connection)
6	HD0	I/O	HPI data bus
7~11	A1~A5	O	Not used (No connection)
12	NC3	-	Not used (No connection)
13	HAS	I	HPI address strobe (Pull up)
14	Vss	-	GND
15	NC4	-	Not used (No connection)
16	CVDD	-	VDD for core CPU (+1.8V)
17	HCS	I	HPI chip select
18	HR/W	I	HPI read/write
19	READY	I	Data ready (Pull up)
20	PS	O	Not used (No connection)
21	DS	O	Not used (No connection)
22	IS	O	Not used (No connection)
23	R/W	O	Not used (No connection)
24	MSTRB	O	Not used (No connection)
25	IOSTRB	O	Not used (No connection)
26	MSC	O	Not used (No connection)
27	XF	O	CODEC control H : Power down, L : Active
28	HOLDA	-	Not used (No connection)
29	IAQ	-	Not used (No connection)
30	HOLD	I	Hold (Pull up)
31	BIO	I	Serial data synchronize input
32	MP/MC	I	Not used (Pull down)
33	DVDD	-	VDD for I/O pins (+3.3V)
34	Vss	-	GND
35~38	NC5~NC8	-	Not used (No connection)
39	HCNTL0	I	HPI control 0
40	Vss	-	GND
41	BCLKR0	I	Receive clock input (SCLK : 516.09375kHz)
42	BCLKR1	-	Not used (No connection)
43	BFSR0	I	Frame sync. for receiver input (LRCK : 16.128kHz)

Pin No.	Name	I/O	Function
44	BFSR1	I	Frame sync. for receiver input (LRCK : 16.128kHz)
45	BDR0	I	Serial data receive input
46	HCNTL1	I	HPI control 1
47	BDR1	-	Not used (No connection)
48	BCLKX0	I	Transmit clock input (SCLK : 516.09375kHz)
49	BCLKX1	O	Master clock output (MCLK : 4.12875MHz)
50	Vss	-	GND
51	HINT/TOUT1	O	Boot mode select (Pull up)
52	CVDD	-	VDD for core CPU (+1.8V)
53	BFSX0	I	Frame sync. for transmitter input (LRCK : 16.128kHz)
54	BFSX1	I	Frame sync. for transmitter input (LRCK : 16.128kHz)
55	HRDY	-	Not used (No connection)
56	DVDD	-	VDD for I/O pins (+3.3V)
57	Vss	-	GND
58	HD1	I/O	HPI data bus
59	BDX0	O	Serial data transmit output
60	BDX1	-	Not used (No connection)
61	IACK	-	Not used (No connection)
62	HBIL	I	Byte identification (HPI)
63	NMI	I	Not used (Pull up)
64	INT0	I	Command interrupt from host CPU
65	INT1	I	Not used (Pull up)
66	INT2	I	Boot mode select (Pull up)
67	INT3	I	Not used (Pull up)
68	CVDD	-	VDD for core CPU (+1.8V)
69	HD2	I/O	HPI data bus
70	Vss	-	GND
71~74	NC9~NC12	-	Not used (No connection)
75	DVDD	-	VDD for I/O pins (+3.3V)
76	Vss	-	GND
77	CLKMD1	I	Clock mode select (Pull down)
78	CLKMD2	I	Clock mode select (Pull up)
79	CLKMD3	I	Clock mode select (Pull down)

SEMICONDUCTOR DATA / DESCRIPTION OF COMPONENTS

Pin No.	Name	I/O	Function
80	NC13	-	Not used (No connection)
81	HD3	I/O	HPI data bus
82	TOUT0	-	Not used (No connection)
83	EMU0	I/O	Emulator 0 (to JTAG connector)
84	EMU1/OFF	I/O	Emulator 1 (to JTAG connector)
85	TDO	O	Test data output (to JTAG connector)
86	TDI	I	Test data input (to JTAG connector)
87	TRST	I	Test reset (to JTAG connector)
88	TCK	I	Test clock (to JTAG connector)
89	TMS	I	Test mode select (to JTAG connector)
90	NC14	-	Not used (No connection)
91	CVDD	-	VDD for core CPU (+1.8V)
92	HPIENA	I	Not used (Pull up)
93	Vss	-	GND
94	CLKOUT	O	Not used (No connection)
95	HD4	I/O	HPI data bus
96	X1	-	16.515MHz (System clock)
97	X2/CLKIN	-	16.515MHz (System clock)
98	RS	I	DSP reset input
99~104	D0~D5	-	Not used (No connection)
105	A6	O	Not used (No connection)
106	Vss	-	GND
107~109	A7~A9	O	Not used (No connection)
110	NC15	-	Not used (No connection)
111	Vss	-	GND
112	DVDD	-	VDD for I/O pins (+3.3V)
113~119	D6~D12	-	Not used (No connection)
120	HD5	I/O	HPI data bus
121~123	D13~D15	-	Not used (No connection)
124	HD6	I/O	HPI data bus
125	CVDD	-	VDD for core CPU (+1.8V)
126	NC16	-	Not used (No connection)
127	HDS1	I	HPI data strobe 1 (Pull up)
128	Vss	-	GND
129	HDS2	I	HPI data strobe 2 (Pull down)
130	DVDD	-	VDD for I/O pins (+3.3V)
131~134	A10~A13	O	Not used (No connection)
135	HD7	I/O	HPI data bus
136~141	A14~A19	O	Not used (No connection)
142	CVDD	-	VDD for core CPU (+1.8V)
143,144	NC17,NC18	-	Not used (No connection)

Final Unit (X45-3620-XX)

Ref No.	Part name	Description
IC1	IC	DC amplifier
IC2	IC	Thermostat
IC3	IC	Voltage regulator
Q2,3	Transistor	RF amplifier
Q4	FET	TX drive amplifier
Q5	FET	Final amplifier
Q7	FET	RF switch
Q8,9	Transistor	DC switch
D1	Diode	Thermal sensor
D2	Zener diode	Voltage reference
D3	Diode	Surge absorption
D4,5	Diode	RF detector
D6	Diode	Surge absorption
D7	Zener diode	Surge protector
D8	Diode	Reverse current protection
D9	Varistor	Current protector
D51,52	Diode	Reverse connection protection

Display Unit (X54-3330-20)

Ref No.	Part name	Description
IC501	MOS IC	MIC amplifier
IC502~505	MOS IC	Shift registers
IC506,507	MOS IC	Voltage regulator
Q501,502	Transistor	Level controller
Q504	FET	DC switch
Q506	Transistor	DC switch
Q507	FET	DC switch
Q508	Transistor	DC switch
Q510,511	Transistor	DC switch
Q512~514	FET	DC switch
Q516~519	FET	DC switch
Q521~525	FET	DC switch
D501,502	Diode	AF detector
D503~505	LED	LED
D506,507	LED	7 segment
D508~514	Diode	Surge absorption
D601,602	Diode	Surge absorption
D603	Varistor	Current protector

DESCRIPTION OF COMPONENTS

TX-RX Unit (X57-6260-XX)

Ref No.	Part name	Description
IC1,2	IC	Buffer amplifier
IC3~5	IC	Voltage regulator
IC6	IC	D/A converter
IC7	IC	Shift register
IC9	IC	FM IF system
IC10,11	IC	Voltage regulator
IC600	IC	EEPROM
IC601	IC	Voltage detector
IC602	IC	Shift register
IC603	IC	Bus transceiver
IC604	MPU	CPU
IC605	IC	Multiplexer
IC606	IC	Bus transceiver
IC607,608	IC	AF amplifier
IC609	IC	Flash ROM
IC610,611	IC	AF amplifier
IC612	IC	Inverter
IC613	IC	Counter
IC614	IC	CODEC
IC615	IC	D/A converter
IC616,617	IC	AF amplifier
IC618	MPU	DSP
IC619	IC	AF amplifier
IC620	IC	RS-232C transceiver
IC621	IC	NAND gate
IC622	IC	Multiplexer
IC623	IC	Shift register
IC624~628	IC	Voltage regulator
IC629	IC	Audio amplifier
IC630	IC	Voltage regulator
Q1~3	Transistor	RF amplifier
Q4	Transistor	Wide/Narrow switch
Q5,6	Transistor	DC switch
Q7	Transistor	Noise amplifier
Q8,9	Transistor	RF amplifier
Q10	Transistor	Current control
Q11	Transistor	RF amplifier
Q12~15	Transistor	Ripple filter
Q16~19	Transistor	DC switch
Q20	Transistor	Inverter
Q23~25	Transistor	DC switch

Ref No.	Part name	Description
Q600	FET	DC switch
Q601	Transistor	DC switch
Q602	FET	DC switch
Q603	Transistor	Inverter
Q604	FET	DC switch
Q605	Transistor	Inverter
Q606	Transistor	AF mute switch
Q609	Transistor	DC switch
Q610	FET	DC switch
Q611	Transistor	DC switch
D1~4	Diode	Wide/Narrow switch
D5	Diode	Noise detection
D7	Diode	DC switch
D8	Diode	TX switch
D11	Zener diode	Surge protector
D12	Zener diode	Voltage reference
D600	Diode	Surge protector
D601	Diode	Voltage reduction
D606~625	Diode	Surge protector
D626	Varistor	Current protector
D627,628	Diode	Reverse current protector
D629	Diode	Surge protector

RX PLL/VCO Unit (X58-4780-10)

Ref No.	Part name	Description
IC300	IC	PLL
Q300~302	Transistor	Buffer amplifier
Q350,351	FET	VCO OSC
Q352~354	Transistor	DC switch
Q355	Transistor	Buffer amplifier
D350~353	Varicap	Frequency control

TX PLL/VCO Unit (X58-4790-10)

Ref No.	Part name	Description
IC300	IC	PLL
Q300,301	Transistor	Active filter
Q302	Transistor	Buffer amplifier
Q350,351	FET	VCO OSC
Q352~354	Transistor	DC switch
Q355	Transistor	Buffer amplifier
D350~353	Varicap	Frequency control
D354,355	Varicap	Modulation

PARTS LIST

* New Parts. Δ indicates safety critical components.

Parts without **Parts No.** are not supplied.

Les articles non mentionnés dans le **Parts No.** ne sont pas fournis.

Teile ohne **Parts No.** werden nicht geliefert.

L : Scandinavia

Y : PX (Far East, Hawaii)

Y : AAFES (Europe)

K : USA

T : England

X : Australia

P : Canada

E : Europe

M : Other Areas

TKR-750

FINAL UNIT (X45-3620-XX)

Ref. No.	Address	New parts	Parts No.	Description	Destination	Ref. No.	Address	New parts	Parts No.	Description	Destination	
TKR-750												
1	2B	*	A10-4037-01	CHASSIS	ADC12	57	3F	*	H52-1621-02	ITEM CARTON CASE		
2	1B	*	A62-0836-04	PANEL	TX-RX	59	1E		J02-0475-05	FOOT (ACC)		
3	1B	*	A62-0837-04	PANEL	FINAL	60	1E	*	J02-0492-04	FOOT		
4	1D	*	A62-0840-03	PANEL	OUTER	61	1F	*	J21-8402-04	HARDWARE FIXTURE (ACC)		
5	3A	*	A62-0933-13	PANEL ASSY		62	1E	*	J59-0302-05	GROMMET		
6	3C	*	A62-0934-03	PANEL ASSY		64	1E		K01-0418-05	HANDLE (ACC)		
8	1F	*	B10-2635-04	FRONT GLASS	F-KEY	65	3A		K29-5389-03	KNOB (VOL)		
-		*	B10-2636-04	FRONT GLASS	PC SHEET	66	3A	*	K29-5460-02	KEY TOP		
10	1F	*	B11-1259-04	FILTER	F-KEY	67	3A	*	K29-9106-04	KNOB (DC SOURCE)		
11	1F	*	B62-1327-10	INSTRUCTION MANUAL		A	2C		N09-2292-05	HEXAGON HEAD SCREW		
12	2C,3D	*	B72-1797-04	MODEL NAME PLATE		B	2C		N15-1030-46	FLAT WASHER		
12	2C,3D	*	B72-1900-14	MODEL NAME PLATE	K	C	1C,2C		N30-2606-46	PAN HEAD MACHINE SCREW		
12	2C,3D	*	B72-1932-04	MODEL NAME PLATE	K2	D	2A,1E		N30-4006-46	PAN HEAD MACHINE SCREW		
14	2C	*	E30-3414-05	DC CORD	E	E	2B,2C		N30-4014-46	PAN HEAD MACHINE SCREW		
15	1C	*	E30-3418-05	ANTENNA CABLE (BNC)		F	1C	*	N30-4020-45	PAN HEAD MACHINE SCREW		
16	2C	*	E30-3419-05	ANTENNA CABLE (N)		G	2C		N32-3006-46	FLAT HEAD MACHINE SCREW		
17	1E	*	E30-3427-15	DC CORD (ACC)		H	3B		N32-4008-45	FLAT HEAD MACHINE SCREW		
18	1E	*	E31-3228-05	LEAD WIRE WITH CONNECTOR (15P)		J	1B		N33-3006-45	OVAL HEAD MACHINE SCREW		
-		*	E37-0808-05	LEAD WIRE WITH CONNECTOR		K	1E	*	N35-3006-45	BINDING HEAD MACHINE SCREW		
20	1B	*	E37-0902-05	LEAD WIRE WITH TERMINAL (DC +)		L	2C		N35-3014-46	BINDING HEAD MACHINE SCREW		
21	1B	*	E37-0903-05	LEAD WIRE WITH TERMINAL (DC -)		M	1C		N35-4006-45	BINDING HEAD MACHINE SCREW		
22	2C	*	E37-0904-05	LEAD WIRE WITH CONNECTOR (D-SUB)		N	1B,3B	*	N67-3008-46	PAN HEAD SEMS SCREW W		
23	3B	*	E37-0905-05	LEAD WIRE WITH CONNECTOR (SP)		O	1C,2C		N87-2606-46	BRAZIER HEAD TAPTITE SCREW		
24	3A	*	E37-0906-05	LEAD WIRE WITH CONNECTOR (CONT-DISP)		P	3A	*	N87-3005-45	BRAZIER HEAD TAPTITE SCREW		
25	3A	*	E37-0908-05	LEAD WIRE WITH CONNECTOR (11P)		Q	2A,2B		N87-3006-46	BRAZIER HEAD TAPTITE SCREW		
26	1B	*	E37-0909-05	LEAD WIRE WITH CONNECTOR (8P)		69	3A		T07-0247-05	SPEAKER		
27	1B	*	E37-0911-05	LEAD WIRE WITH CONNECTOR (3P)		FINAL UNIT (X45-3620-XX) -10 : K,E -11 : K2						
28	1B	*	E37-0912-05	LEAD WIRE WITH MINIPIN PLUG		C1,2			CK73GB1H102K	CHIP C	1000PF	K
29	2C	*	E37-0913-05	LEAD WIRE WITH CONNECTOR (15P)		C3			C90-2146-05	ELECTRO	100UF	25WV
30	1B	*	E37-0934-05	LEAD WIRE WITH TERMINAL (ORANGE)		C7			CK73GB1H102K	CHIP C	1000PF	K
-		*	E37-0964-05	LEAD WIRE WITH TERMINAL (BLACK)		C9,10			CK73GB1H102K	CHIP C	1000PF	K
-		*	E37-0965-05	LEAD WIRE WITH TERMINAL (RED)		C11			CC73GCH1H470J	CHIP C	47PF	J
33	2B	*	E37-0967-05	FLAT CABLE (36P)		C11			CC73GCH1H680J	CHIP C	68PF	J
34	2C	*	E70-0402-05	TERMINAL BOARD		C12			CK73GB1H102K	CHIP C	1000PF	K
36	1C,1E		F05-1537-05	FUSE (BLADE)	(15A/32V)	C13			CK73FB1E104K	CHIP C	0.10UF	K
37	2C		F09-0445-05	CAP (D-SUB)		C14,15			CK73GB1H102K	CHIP C	1000PF	K
38	1C		F09-0471-05	FANMOTOR		C16			CK73FB1H102K	CHIP C	1000PF	K
-		*	F10-2374-04	SHIELDING PLATE (TX-RX)		C17			CC73GCH1H330J	CHIP C	33PF	J
-		*	F10-2379-04	SHIELDING CASE (TX-RX COP)		C19			C93-0601-05	CHIP C	680PF	K
-		*	F10-2409-04	SHIELDING CASE (TX-RX FOIL)		C21			C93-0565-05	CHIP C	27PF	J
42	1C	*	F20-3322-04	INSULATING SHEET		C21			C93-0566-05	CHIP C	33PF	J
44	1B		G02-0576-14	FLAT SPRING		C22			C93-0570-05	CHIP C	68PF	J
46	3B	*	G02-0885-13	EARTH SPRING		C27			CK73FB1H102K	CHIP C	1000PF	K
47	2B,3B	*	G10-1263-04	FIBROUS SHEET (CHASSIS)		C28			CK73GB1H102K	CHIP C	1000PF	K
48	3C,2D	*	G10-1264-04	FIBROUS SHEET (PANEL)		C29			C93-0603-05	CHIP C	1000PF	K
49	1F	*	G13-1801-04	CUSHION (ACC)		C30,31			C93-0600-05	CHIP C	560PF	K
50	1F	*	G13-1802-04	CUSHION (ACC)		C32			C93-0603-05	CHIP C	1000PF	K
53	1E		H25-0029-04	PROTECTION BAG (60/110/0.07)		C33			CK73FB1C105K	CHIP C	1.0UF	K
54	1F		H25-0747-04	PROTECTION BAG (250X350)		C35			CK73GB1H102K	CHIP C	1000PF	K
55	1E		H25-0762-04	PROTECTION BAG (120X300)		C37			CK73FB1E474K	CHIP C	0.47UF	K
56	1F	*	H25-2328-04	PROTECTION BAG (80/250/0.07)		C39			CK73GB1H102K	CHIP C	1000PF	K

PARTS LIST

FINAL UNIT (X45-3620-XX)

Ref. No.	Address	New parts	Parts No.	Description	Destination	Ref. No.	Address	New parts	Parts No.	Description	Destination
C42			CK73FB1H103K	CHIP C 0.010UF K		L9-11			L34-4520-05	AIR-CORE COIL	
C43,44			CK73GB1H102K	CHIP C 1000PF K		L12			L34-4523-05	AIR-CORE COIL	
C46			C93-0603-05	CHIP C 1000PF K		L13			L40-3375-34	SMALL FIXED INDUCTOR (33NH)	
C47			CM73F2H121J	CHIP C 120PF J	K,E	L15			L40-4785-34	SMALL FIXED INDUCTOR (470NH)	K,E
C48,49			C93-0563-05	CHIP C 18PF J	K,E	L15			L40-8285-34	SMALL FIXED INDUCTOR (820NH)	K2
C50,51			C93-0565-05	CHIP C 27PF J	K2	L16,17			L40-8275-92	SMALL FIXED INDUCTOR (82NH)	K,E
C54			C93-0601-05	CHIP C 680PF K		R1			RK73FB2A100J	CHIP R 10 J 1/10W	
C55			CK73GB1H103K	CHIP C 0.010UF K		R6			RK73GB1J220J	CHIP R 22 J 1/16W	
C57			C90-2143-05	ELECTRO 47UF 25WV		R7			RK73GB1J472J	CHIP R 4.7K J 1/16W	
C59,60			CK73GB1H102K	CHIP C 1000PF K		R8			RK73FB2A100J	CHIP R 10 J 1/10W	
C62			CK73FB1H102K	CHIP C 1000PF K		R9			RK73FB2A470J	CHIP R 47 J 1/10W	
C64			CK73GB1H102K	CHIP C 1000PF K		R10			RK73FB2A101J	CHIP R 100 J 1/10W	
C68			CK73GB1H102K	CHIP C 1000PF K		R11			RK73GB1J472J	CHIP R 4.7K J 1/16W	
C69			C93-0564-05	CHIP C 22PF J		R13			RK73GB1J471J	CHIP R 470 J 1/16W	
C71,72			C93-0564-05	CHIP C 22PF J	K,E	R15			R92-1217-05	CHIP R 0 OHM	
C71,72			C93-0565-05	CHIP C 27PF J	K2	R17			RK73FB2A183J	CHIP R 18K J 1/10W	
C74			C93-0567-05	CHIP C 39PF J		R18			RK73EB2B180J	CHIP R 18 J 1/8W	K2
C77			C93-0565-05	CHIP C 27PF J		R18			RK73EB2B330J	CHIP R 33 J 1/8W	K,E
C80-87			CK73GB1H102K	CHIP C 1000PF K		R19			RK73FB2A473J	CHIP R 47K J 1/10W	
C90			CK73GB1H102K	CHIP C 1000PF K		R20,21			R92-1252-05	CHIP R 0 OHM	
C91			C92-0777-05	ELECTROLYTIC CAP		R22			R92-1215-05	CHIP R 470 J 1/2W	
C92			C93-0601-05	CHIP C 680PF K		R23			RK73FB2A473J	CHIP R 47K J 1/10W	
C94			CC73GCH1H100D	CHIP C 10PF D		R24			RK73FB2A563J	CHIP R 56K J 1/10W	
C96			CC73FCH1H270J	CHIP C 27PF J		R25			RK73GB1J473J	CHIP R 47K J 1/16W	
C97			CC73FCH1H040C	CHIP C 4.0PF C		R26			RK73GB1J101J	CHIP R 100 J 1/16W	
C98			CK73GB1H102K	CHIP C 1000PF K		R27			RK73GB1J471J	CHIP R 470 J 1/16W	
C99			C90-2143-05	ELECTRO 47UF 25WV		R28			RK73GB1J105J	CHIP R 1.0M J 1/16W	
C106-109			CK73GB1H102K	CHIP C 1000PF K		R29			RK73GB1J471J	CHIP R 470 J 1/16W	
C110			C92-0628-05	CHIP-TAN 10UF 10WV		R30			RK73GB1J222J	CHIP R 2.2K J 1/16W	
C112			CM73F2H181J	CHIP C 180PF J	K,E	R31			RK73GB1J471J	CHIP R 470 J 1/16W	
C112			CM73F2H271J	CHIP C 270PF J	K2	R32			RK73GB1J104J	CHIP R 100K J 1/16W	
C113			CM73F2H121J	CHIP C 120PF J	K2	R34,35			RK73GB1J393J	CHIP R 39K J 1/16W	
C116			CM73F2H181J	CHIP C 180PF J	K,E	R36			R92-1252-05	CHIP R 0 OHM	
C116			CM73F2H241J	CHIP C 240PF J	K2	R37			R92-0670-05	CHIP R 0 OHM	
C118			CK73FB1E474K	CHIP C 0.47UF K		R38			RK73GB1J103J	CHIP R 10K J 1/16W	
C136,137			CK73GB1H102K	CHIP C 1000PF K		R40			RK73FB2A101J	CHIP R 100 J 1/10W	K2
C138			CM73F2H221J	CHIP C 220PF J	K2	R40			RK73FB2A121J	CHIP R 120 J 1/10W	K,E
C138,139			CM73F2H181J	CHIP C 180PF J	K,E	R41			R92-1252-05	CHIP R 0 OHM	
C139			CM73F2H241J	CHIP C 240PF J	K2	R43			RK73FB2A101J	CHIP R 100 J 1/10W	
C140			CC73FCH1H100D	CHIP C 10PF D		R45			RK73GB1J102J	CHIP R 1.0K J 1/16W	
C141			C93-0601-05	CHIP C 680PF K		R48			RK73GB1J471J	CHIP R 470 J 1/16W	
C142			CC73FCH1H020C	CHIP C 2.0PF C	K2	R49			R92-1217-05	CHIP R 0 OHM	
C151,152			CM73F2H390J	CHIP C 39PF J	K,E	R50			RK73EB2B222J	CHIP R 2.2K J 1/8W	
C151,152			CM73F2H680J	CHIP C 68PF J	K2	R52,53			RK73GB1J102J	CHIP R 1.0K J 1/16W	
CN1,2			E04-0154-05	PIN SOCKET		R55			RK73GB1J102J	CHIP R 1.0K J 1/16W	
CN3			E40-5632-05	PIN ASSY		R56			R92-1317-05	CHIP R 18 J 1W	
CN4			E40-3246-05	PIN ASSY		R57			RK73GB1J224J	CHIP R 220K J 1/16W	
CN5			E40-5703-05	PIN ASSY		R58			RK73GB1J104J	CHIP R 100K J 1/16W	
CN6-8			E23-0462-05	TERMINAL		R59			RK73GB1J393J	CHIP R 39K J 1/16W	
F1			F53-0217-05	FUSE		R60			RK73GB1J154J	CHIP R 150K J 1/16W	
CN51,52			J13-0071-05	FUSE HOLDER		R61		*	R92-2687-05	RESISTOR	
L2			L40-4775-34	SMALL FIXED INDUCTOR (47NH)		R62,63			R92-0670-05	CHIP R 0 OHM	
L3			L40-6875-34	SMALL FIXED INDUCTOR (68NH)		R64			RK73GB1J5R6J	CHIP R 5.6 J 1/16W	K2
L4			L34-4519-05	AIR-CORE COIL		R65,66			RK73GB1J821J	CHIP R 820 J 1/16W	K2
L5			L34-4518-05	AIR-CORE COIL		R68			RK73EB2B331J	CHIP R 330 J 1/8W	
L6			L34-4519-05	AIR-CORE COIL		VR1			R12-6427-05	TRIMMING POT. (47K)	
L7			L34-4523-05	AIR-CORE COIL		K1		*	S76-0426-05	RELAY	
L8			L34-4517-05	AIR-CORE COIL		D1			1SS226	DIODE	

PARTS LIST

FINAL UNIT (X45-3620-XX)
 DISPLAY UNIT (X54-3330-20)
 TX-RX UNIT (X57-6260-XX)

Ref. No.	Address	New parts	Parts No.	Description	Desti- nation
D2			02DZ5.1(Y)	ZENER DIODE	
D3			1SS355	DIODE	
D4,5			HSM88AS	DIODE	
D6			1SS355	DIODE	
D7			ZSA5A27	ZENER DIODE	
D8			RB051L-40	DIODE	
D9			MINISMDC050-02	VARIATOR	
D51,52			DSA3A1	DIODE	
IC1			TA75W01FU	MOS IC	
IC2		*	TK11050M	ANALOG IC	
IC3			NJM78L05UA	BI-POLAR IC	
Q2			2SC3356(R24)	TRANSISTOR	
Q3			2SC3357	TRANSISTOR	
Q4			2SK3075	FET	
Q5		*	2SK3478-22	FET	
Q7			2SK1824	FET	
Q8			2SC4116(Y)	TRANSISTOR	
Q9			DTD123EK	DIGITAL TRANSISTOR	
TH1		*	PTH9M04BE471TS	THERMISTOR	
DISPLAY UNIT (X54-3330-20)					
D503-505			B30-2151-05	LED (RED/GREEN)	
C501			C92-0628-05	CHIP-TAN 10UF 10WV	
C502,503			C92-0501-05	CHIP-TAN 1.5UF 10WV	
C504,505			CK73GB1C104K	CHIP C 0.10UF K	
C506			CC73GCH1H470J	CHIP C 47PF J	
C507,508			CK73GB1C104K	CHIP C 0.10UF K	
C509			CK73GB1H103K	CHIP C 0.010UF K	
C510			C92-0628-05	CHIP-TAN 10UF 10WV	
C511,512			CK73GB1E103K	CHIP C 0.010UF K	
C513-518			CC73GCH1H101J	CHIP C 100PF J	
C519,520			CK73GB1E103K	CHIP C 0.010UF K	
C521			C92-0628-05	CHIP-TAN 10UF 10WV	
C522			CK73GB1C104K	CHIP C 0.10UF K	
C523		*	CK73FB1E334K	CHIP C 0.33UF K	
C524			C92-0628-05	CHIP-TAN 10UF 10WV	
C525			CK73GB1C104K	CHIP C 0.10UF K	
C526		*	CK73FB1E334K	CHIP C 0.33UF K	
C601			CC73GCH1H101J	CHIP C 100PF J	
C602			CK73GB1H102K	CHIP C 1000PF K	
C603			CC73GCH1H101J	CHIP C 100PF J	
C606			CC73GCH1H101J	CHIP C 100PF J	
C607			CK73GB1C104K	CHIP C 0.10UF K	
CN501		*	E40-6140-05	PIN ASSY	
CN502		*	E40-6102-05	PIN ASSY	
CN601		*	E40-6141-05	PIN ASSY	
J601			E08-0877-05	MODULAR JACK	
-			J31-0543-05	COLLAR (LH-5-1.5)	
CP501-504			RK75GB1J471J	CHIP-COM 470 J 1/16W	
R502,503			R92-1252-05	CHIP R 0 OHM	
R505			RK73GB1J683J	CHIP R 68K J 1/16W	
R506			RK73GB1J103J	CHIP R 10K J 1/16W	
R507			RK73GB1J682J	CHIP R 6.8K J 1/16W	
R508			RK73GB1J102J	CHIP R 1.0K J 1/16W	
R509			RK73GB1J103J	CHIP R 10K J 1/16W	
R510			RK73GB1J224J	CHIP R 220K J 1/16W	
Ref. No.	Address	New parts	Parts No.	Description	Desti- nation
R511,512			RK73GB1J103J	CHIP R 10K J 1/16W	
R513			RK73GB1J104J	CHIP R 100K J 1/16W	
R514			RK73GB1J154J	CHIP R 150K J 1/16W	
R516			R92-2565-05	RESISTOR	
R517			R92-2023-05	CHIP R 820 J 1/2W	
R519			R92-2565-05	RESISTOR	
R520-526			R92-2023-05	CHIP R 820 J 1/2W	
R529-540			RK73GB1J102J	CHIP R 1.0K J 1/16W	
R541-544			RK73GB1J103J	CHIP R 10K J 1/16W	
R601			RK73GB1J681J	CHIP R 680 J 1/16W	
R604,605			RK73GB1J102J	CHIP R 1.0K J 1/16W	
R606			RK73GB1J473J	CHIP R 47K J 1/16W	
VR501			R32-0643-05	SEMI FIXED VARIABLE RESISTOR	
VR601			R31-0630-05	VARIABLE RESISTOR	
S501-506			S70-0410-15	TACT SWITCH	
S507			S68-0410-05	PUSH SWITCH	
D501,502			HSM88AS	DIODE	
D506,507		*	LA-501DD	LED	
D508-514			DA204U	DIODE	
D601,602			DA204U	DIODE	
D603		*	MINISM020	VARIATOR	
IC501			NJM4558E	MOS IC	
IC502-505			BU4094BCFV	MOS IC	
IC506,507			TA78L05F	MOS IC	
Q501			2SC4116(Y)	TRANSISTOR	
Q502			2SA1586(Y,GR)	TRANSISTOR	
Q504			UPA672T	FET	
Q506			DTA114EUA	DIGITAL TRANSISTOR	
Q507			UPA672T	FET	
Q508			DTA114EUA	DIGITAL TRANSISTOR	
Q510,511			DTA114EUA	DIGITAL TRANSISTOR	
Q512-514			UPA672T	FET	
Q516-519			UPA672T	FET	
Q521-524			UPA672T	FET	
Q525			2SK1824	FET	
TX-RX UNIT (X57-6260-XX) -10 : K,E -11 : K2					
C1			CC73GCH1H060D	CHIP C 6.0PF D	
C2			CC73GCH1H390J	CHIP C 39PF J	
C3			CC73GCH1H020C	CHIP C 2.0PF C	
C4			CC73GCH1H0R5C	CHIP C 0.5PF C	
C5			CC73GCH1H060D	CHIP C 6.0PF D	K,E
C5			CC73GCH1H080D	CHIP C 8.0PF D	K2
C6			CC73GCH1H390J	CHIP C 39PF J	
C7			CK73GB1H103K	CHIP C 0.010UF K	
C8,9			CK73GB1H102K	CHIP C 1000PF K	
C10			CC73GCH1H101J	CHIP C 100PF J	
C11			CC73GCH1H060D	CHIP C 6.0PF D	K,E
C11			CC73GCH1H080D	CHIP C 8.0PF D	K2
C12			CC73GCH1H390J	CHIP C 39PF J	
C13			CC73GCH1H020C	CHIP C 2.0PF C	
C14			CC73GCH1H0R5C	CHIP C 0.5PF C	
C15			CC73GCH1H050C	CHIP C 5.0PF C	
C16			CC73GCH1H020C	CHIP C 2.0PF C	
C17			CC73GCH1H010C	CHIP C 1.0PF C	
C18			CC73GCH1H060D	CHIP C 6.0PF D	K,E
C18			CC73GCH1H090D	CHIP C 9.0PF D	K2

PARTS LIST

TX-RX UNIT (X57-6260-XX)

Ref. No.	Address	New parts	Parts No.	Description	Destination	Ref. No.	Address	New parts	Parts No.	Description	Destination
C19			CC73GCH1H180J	CHIP C 18PF J	K,E	C109			CC73GCH1H270J	CHIP C 27PF J	
C19			CC73GCH1H220J	CHIP C 22PF J	K2	C110			CC73GCH1H030C	CHIP C 3.0PF C	
C20			CC73GCH1H101J	CHIP C 100PF J		C111			CC73GCH1H270J	CHIP C 27PF J	
C22			CC73GCH1H100D	CHIP C 10PF D		C113			CC73GCH1H150J	CHIP C 15PF J	
C23			CC73GCH1H180J	CHIP C 18PF J		C120,121			CK73GB1H102K	CHIP C 1000PF K	
C24			C92-0519-05	CHIP-TAN 1.0UF 25WV		C122,123			CK73GB1H103K	CHIP C 0.010UF K	
C25			C92-0628-05	CHIP-TAN 10UF 10WV		C124,125			C92-1341-05	ELECTRO 100UF 16WV	
C30			CC73GCH1H680J	CHIP C 68PF J		C126,127			C92-0633-05	CHIP-TAN 22UF 10WV	
C31			CC73GCH1H331J	CHIP C 330PF J		C128,129			CK73GB1H103K	CHIP C 0.010UF K	
C32			CK73GB1H103K	CHIP C 0.010UF K		C130-133			CK73GB1H102K	CHIP C 1000PF K	
C33			CC73GCH1H330J	CHIP C 33PF J		C134,135			CK73GB1H103K	CHIP C 0.010UF K	
C34			CK73GB1H103K	CHIP C 0.010UF K		C136-139			C90-4016-05	ELECTROLYTIC CAP	
C36			CK73GB1H102K	CHIP C 1000PF K		C140,141			CK73GB1H103K	CHIP C 0.010UF K	
C37			CK73GB1H103K	CHIP C 0.010UF K		C142-144			CK73GB1H102K	CHIP C 1000PF K	
C38,39			CC73GCH1H680J	CHIP C 68PF J		C145			C92-0606-05	CHIP-TAN 4.7UF 10WV	
C40,41			CK73GB1H103K	CHIP C 0.010UF K		C146			CK73GB1H102K	CHIP C 1000PF K	
C42,43			CC73GCH1H030C	CHIP C 3.0PF C		C147			C92-0633-05	CHIP-TAN 22UF 10WV	
C44,45			CC73GCH1H040C	CHIP C 4.0PF C		C148			CK73GB1H102K	CHIP C 1000PF K	
C46,47			CC73GCH1H030C	CHIP C 3.0PF C		C149			CK73GB1H103K	CHIP C 0.010UF K	
C48			CK73GB1H103K	CHIP C 0.010UF K		C150			C92-0633-05	CHIP-TAN 22UF 10WV	
C49,50			CC73GCH1H680J	CHIP C 68PF J		C151			C92-0008-05	CHIP-TAN 3.3UF 16WV	
C51			CK73GB1H103K	CHIP C 0.010UF K		C152			CK73GB1H103K	CHIP C 0.010UF K	
C52			CK73GB1H103J	CHIP C 0.010UF J		C153			CK73GB1H102K	CHIP C 1000PF K	
C53			CK73GB1H102K	CHIP C 1000PF K		C154			C92-0560-05	CHIP-TAN 10UF 6.3WV	
C54			CK73GB1H103J	CHIP C 0.010UF J		C155			CK73GB1H103K	CHIP C 0.010UF K	
C55,56			CK73GB1H103K	CHIP C 0.010UF K		C156			CK73GB1H102K	CHIP C 1000PF K	
C57			CK73GB1H103J	CHIP C 0.010UF J		C157			CK73GB1H103K	CHIP C 0.010UF K	
C58			CC73GCH1H180J	CHIP C 18PF J		C158			C92-0008-05	CHIP-TAN 3.3UF 16WV	
C59			CC73GCH1H150J	CHIP C 15PF J		C159,160			CK73GB1H102K	CHIP C 1000PF K	
C60			CK73GB1H103J	CHIP C 0.010UF J		C161-163			CK73GB1H103K	CHIP C 0.010UF K	
C61			CC73GCH1H080D	CHIP C 8.0PF D		C164			CC73GCH1H471J	CHIP C 470PF J	
C62,63			CK73GB1H103K	CHIP C 0.010UF K		C166,167			CK73GB1H102K	CHIP C 1000PF K	
C64			CK73GB1C104K	CHIP C 0.10UF K		C171,172			CK73GB1H102K	CHIP C 1000PF K	
C65			C92-0628-05	CHIP-TAN 10UF 10WV		C173			CK73GB1H103K	CHIP C 0.010UF K	
C66,67			CC73GCH1H221J	CHIP C 220PF J		C174			C92-0008-05	CHIP-TAN 3.3UF 16WV	
C68-70			CK73GB1C104K	CHIP C 0.10UF K		C175			CK73GB1H102K	CHIP C 1000PF K	
C71			CK73GB1H103K	CHIP C 0.010UF K		C176			CK73GB1H103K	CHIP C 0.010UF K	
C72			C92-0628-05	CHIP-TAN 10UF 10WV		C177			CK73GB1H102K	CHIP C 1000PF K	
C73,74			CK73GB1H102K	CHIP C 1000PF K		C178			C92-0606-05	CHIP-TAN 4.7UF 10WV	
C75			CK73GB1C223K	CHIP C 0.022UF K		C179			CK73GB1H103K	CHIP C 0.010UF K	
C76			C92-0628-05	CHIP-TAN 10UF 10WV		C184,185			CK73GB1H102K	CHIP C 1000PF K	
C77			CK73GB1H102K	CHIP C 1000PF K		C189,190			CK73GB1H102K	CHIP C 1000PF K	
C78			CK73GB1C223K	CHIP C 0.022UF K		C191-195			CK73GB1H103K	CHIP C 0.010UF K	
C79			CK73FB1C334K	CHIP C 0.33UF K		C196			CK73GB1H472K	CHIP C 4700PF K	
C80,81			C92-0628-05	CHIP-TAN 10UF 10WV		C197			CK73FB1H333K	CHIP C 0.033UF K	
C82-84			CK73GB1H103K	CHIP C 0.010UF K		C198			CK73GB1C104K	CHIP C 0.10UF K	
C85			C92-0628-05	CHIP-TAN 10UF 10WV		C199			CK73GB1H103K	CHIP C 0.010UF K	
C86			CK73GB1H102K	CHIP C 1000PF K		C204-208			CC73GCH1H101J	CHIP C 100PF J	
C87			C92-0628-05	CHIP-TAN 10UF 10WV		C209-211			CK73GB1H103K	CHIP C 0.010UF K	
C88			CK73GB1H102K	CHIP C 1000PF K		C212,213			CC73GCH1H050C	CHIP C 5.0PF C	K,E
C89,90			CK73GB1H103J	CHIP C 0.010UF J		C212,213			CC73GCH1H060D	CHIP C 6.0PF D	K2
C91			CC73GCH1H100D	CHIP C 10PF D		C600			CK73GB1C104K	CHIP C 0.10UF K	
C92,93			CK73GB1H102K	CHIP C 1000PF K		C602			CK73GB1C104K	CHIP C 0.10UF K	
C95			CC73GCH1H150J	CHIP C 15PF J		C605			CK73GB1C104K	CHIP C 0.10UF K	
C96-99			CK73GB1H102K	CHIP C 1000PF K		C613,614			CK73GB1E103K	CHIP C 0.010UF K	
C100			CC73GCH1H270J	CHIP C 27PF J		C616			CK73GB1E103K	CHIP C 0.010UF K	
C102-105			CC73GCH1H100D	CHIP C 10PF D		C623			CK73GB1C104K	CHIP C 0.10UF K	
C106			CK73GB1H102K	CHIP C 1000PF K		C629			CC73GCH1H101J	CHIP C 100PF J	
C107			CC73GCH1H150J	CHIP C 15PF J		C634,635			CC73GCH1H220J	CHIP C 22PF J	
C108			CC73GCH1H030C	CHIP C 3.0PF C		C638			CK73GB1C104K	CHIP C 0.10UF K	

PARTS LIST

TX-RX UNIT (X57-6260-XX)

Ref. No.	Address	New parts	Parts No.	Description	Desti-nation	Ref. No.	Address	New parts	Parts No.	Description	Desti-nation
C639			CK73GB1E103K	CHIP C 0.010UF K		C753,754			C92-0628-05	CHIP-TAN 10UF 10WV	
C640			C92-0628-05	CHIP-TAN 10UF 10WV		C755			CK73GB1H471K	CHIP C 470PF K	
C641			CK73GB1C104K	CHIP C 0.10UF K		C756,757			C92-0628-05	CHIP-TAN 10UF 10WV	
C642			CK73GB1E103K	CHIP C 0.010UF K		C758			CK73FB1C105K	CHIP C 1.0UF K	
C643			C92-0628-05	CHIP-TAN 10UF 10WV		C759			CK73GB1H471K	CHIP C 470PF K	
C644			CK73GB1E103K	CHIP C 0.010UF K		C760			CK73GB1H102K	CHIP C 1000PF K	
C645,646			C92-0628-05	CHIP-TAN 10UF 10WV		C761			CK73GB1C104K	CHIP C 0.10UF K	
C647			CC73GCH1H101J	CHIP C 100PF J		C762,763			CK73GB1H102K	CHIP C 1000PF K	
C648			CK73GB1E103K	CHIP C 0.010UF K		C764,765			CK73GB1E103K	CHIP C 0.010UF K	
C649			CC73GCH1H330J	CHIP C 33PF J		C766-768			CC73GCH1H101J	CHIP C 100PF J	
C652			CC73GCH1H101J	CHIP C 100PF J		C769-771			C92-0560-05	CHIP-TAN 10UF 6.3WV	
C657			CK73GB1E103K	CHIP C 0.010UF K		C772			C92-0633-05	CHIP-TAN 22UF 10WV	
C662			C92-0628-05	CHIP-TAN 10UF 10WV		C773			C92-0514-05	CHIP-TAN 2.2UF 10WV	
C663			C92-0519-05	CHIP-TAN 1.0UF 25WV		C774			CK73FB1C105K	CHIP C 1.0UF K	
C670			C92-0003-05	CHIP-TAN 0.47UF 25WV		C775-779			C92-0519-05	CHIP-TAN 1.0UF 25WV	
C679,680			C92-0628-05	CHIP-TAN 10UF 10WV		C780-782			CK73FB1C105K	CHIP C 1.0UF K	
C681			C92-0546-05	CHIP-TAN 68UF 6.3WV		C783			CK73GB1H471K	CHIP C 470PF K	
C684			CC73GCH1H101J	CHIP C 100PF J		C784			CK73FB1C105K	CHIP C 1.0UF K	
C685			CK73GB1E103K	CHIP C 0.010UF K		C785,786			CK73GB1C104K	CHIP C 0.10UF K	
C690			CC73GCH1H101J	CHIP C 100PF J		C787			CK73FB1C105K	CHIP C 1.0UF K	
C691,692			CK73GB1E103K	CHIP C 0.010UF K		C788			CC73GCH1H101J	CHIP C 100PF J	
C693,694			C92-0628-05	CHIP-TAN 10UF 10WV		C789			CE04EW1E331M	ELECTRO 330UF 25WV	
C695,696			CK73GB1H471K	CHIP C 470PF K		C790			CC73GCH1H101J	CHIP C 100PF J	
C697-702			C92-0628-05	CHIP-TAN 10UF 10WV		C791			CK73GB1H471K	CHIP C 470PF K	
C703,704			CK73GB1C104K	CHIP C 0.10UF K		C792-794			CK73GB1H102K	CHIP C 1000PF K	
C705			CK73GB1E103K	CHIP C 0.010UF K		C795			CC73GCH1H101J	CHIP C 100PF J	
C706			C92-0628-05	CHIP-TAN 10UF 10WV		C796,797			CK73GB1H102K	CHIP C 1000PF K	
C707-709			CK73GB1E103K	CHIP C 0.010UF K		C798			CE04EW1E470M	ELECTRO 47UF 25WV	
C710			C92-0628-05	CHIP-TAN 10UF 10WV		C799			CK73GB1H102K	CHIP C 1000PF K	
C711			CK73GB1H471K	CHIP C 470PF K		C800			CE04EW1E470M	ELECTRO 47UF 25WV	
C712			CK73GB1E103K	CHIP C 0.010UF K		C801			C92-0560-05	CHIP-TAN 10UF 6.3WV	
C713,714			C92-0628-05	CHIP-TAN 10UF 10WV		C802-805			CK73GB1H102K	CHIP C 1000PF K	
C715			CK73GB1E103K	CHIP C 0.010UF K		C806			CE04EW1E470M	ELECTRO 47UF 25WV	
C716,717			CK73GB1H471K	CHIP C 470PF K		C807-810			CK73GB1H102K	CHIP C 1000PF K	
C718,719			CK73GB1E103K	CHIP C 0.010UF K		C811			CE04EW1E470M	ELECTRO 47UF 25WV	
C720-722			C92-0628-05	CHIP-TAN 10UF 10WV		C812,813			CK73GB1H102K	CHIP C 1000PF K	
C723			CK73FB1C105K	CHIP C 1.0UF K		C814			C92-0777-05	ELECTROLYTIC CAP	
C724			CK73GB1H182K	CHIP C 1800PF K		C815			CK73FB1E104K	CHIP C 0.10UF K	
C725			CC73GCH1H470J	CHIP C 47PF J		C816			CK73GB1H102K	CHIP C 1000PF K	
C726			CC73GCH1H181J	CHIP C 180PF J		C817			CE04EW1E470M	ELECTRO 47UF 25WV	
C727,728			CK73GB1E103K	CHIP C 0.010UF K		C818-820			CK73GB1H102K	CHIP C 1000PF K	
C729			C92-0628-05	CHIP-TAN 10UF 10WV		C821,822			CC73GCH1H101J	CHIP C 100PF J	
C730,731			CK73GB1E103K	CHIP C 0.010UF K		C823			C92-0619-05	CHIP-TAN 47UF 4WV	
C732			CK73GB1H471K	CHIP C 470PF K		C824			CK73GB1H472K	CHIP C 4700PF K	
C733			C92-0628-05	CHIP-TAN 10UF 10WV		C825			CK73GB1C104K	CHIP C 0.10UF K	
C734			CC73GCH1H270J	CHIP C 27PF J		C826			C92-0560-05	CHIP-TAN 10UF 6.3WV	
C735			CC73GCH1H150J	CHIP C 15PF J		C827			C92-0633-05	CHIP-TAN 22UF 10WV	
C736			CK73GB1H182K	CHIP C 1800PF K		C828			C92-0514-05	CHIP-TAN 2.2UF 10WV	
C737			CC73GCH1H270J	CHIP C 27PF J		CN1			E04-0154-05	PIN SOCKET	
C738			CK73GB1E103K	CHIP C 0.010UF K		CN2			E40-5538-05	PIN ASSY	
C739			CC73GCH1H181J	CHIP C 180PF J		CN3			E04-0154-05	PIN SOCKET	
C740			CC73GCH1H101J	CHIP C 100PF J		CN4			E40-5538-05	PIN ASSY	
C741			CK73GB1E103K	CHIP C 0.010UF K		CN14			E40-6009-05	FLAT CABLE CONNECTOR	
C742			CK73GB1H471K	CHIP C 470PF K		CN15			E40-5703-05	PIN ASSY	
C743			CK73GB1E103K	CHIP C 0.010UF K		CN16			E40-5632-05	PIN ASSY	
C744-746			C92-0628-05	CHIP-TAN 10UF 10WV		CN18,19			E04-0154-05	PIN SOCKET	
C747,748			CK73GB1E103K	CHIP C 0.010UF K		CN600	*		E40-6102-05	PIN ASSY	
C749			CK73GB1H471K	CHIP C 470PF K		CN601			E40-5701-05	PIN ASSY	
C750,751			CK73GB1E103K	CHIP C 0.010UF K		CN602			E40-6009-05	FLAT CABLE CONNECTOR	
C752			CK73GB1H471K	CHIP C 470PF K							

PARTS LIST

TX-RX UNIT (X57-6260-XX)

Ref. No.	Address	New parts	Parts No.	Description	Desti-nation
CN603			E40-5887-05	PIN ASSY	
CN604			E40-5702-05	PIN ASSY	
CN605			E40-5704-05	PIN ASSY	
CN606			E40-5960-05	PIN ASSY	
A4-8			F11-0844-05	SHIELDING CASE	
F1			F53-0217-05	FUSE	
CF1			L72-0366-05	CERAMIC FILTER	
CF2			L72-0376-05	CERAMIC FILTER	
L1			L34-4616-05	AIR-CORE COIL	
L2,3		*	L34-4666-05	COIL	
L4			L40-1295-34	SMALL FIXED INDUCTOR (1.2UH)	
L5-7		*	L34-4666-05	COIL	
L8			L40-2275-34	SMALL FIXED INDUCTOR (22NH)	
L9			L40-5675-34	SMALL FIXED INDUCTOR (56NH)	
L10			L40-1581-37	SMALL FIXED INDUCTOR (0.150UH)	
L11			L40-1885-34	SMALL FIXED INDUCTOR (180NH)	
L12			L40-3381-37	SMALL FIXED INDUCTOR (0.330UH)	
L13			L40-1005-34	SMALL FIXED INDUCTOR (10UH)	
L14			L34-4527-05	COIL	
L15			L34-4526-05	COIL	
L16			L34-4527-05	COIL	
L17,18			L34-4526-05	COIL	
L19			L34-4527-05	COIL	
L20			L40-1095-34	SMALL FIXED INDUCTOR (1UH)	
L21			L40-1005-34	SMALL FIXED INDUCTOR (10UH)	
L22			L40-8271-34	SMALL FIXED INDUCTOR (82NH)	
L23			L40-1095-34	SMALL FIXED INDUCTOR (1UH)	
L24			L34-4530-05	COIL	
L25			L40-5675-34	SMALL FIXED INDUCTOR (56NH)	
L26			L40-4775-34	SMALL FIXED INDUCTOR (47NH)	
L27,28			L40-1005-34	SMALL FIXED INDUCTOR (10UH)	
L29-31			L40-3375-34	SMALL FIXED INDUCTOR (33NH)	
L32			L40-1085-45	SMALL FIXED INDUCTOR (0.10UH)	
L33			L40-1005-34	SMALL FIXED INDUCTOR (10UH)	
L34-38			L92-0140-05	FERRITE CHIP	
L39			L92-0158-05	FERRITE CHIP	
L40			L92-0140-05	FERRITE CHIP	
L41			L40-1085-92	SMALL FIXED INDUCTOR (100NH)	
L600-613			L92-0140-05	FERRITE CHIP	
X1			L77-1762-05	CRYSTAL RESONATOR (44.395MHZ)	
X2,3		*	L77-1848-05	VCXO (16.8MHZ)	
X600			L78-0431-05	RESONATOR (14.7456M)	
X601			L77-1799-05	CRYSTAL RESONATOR (16.515MHZ)	
XF1			L71-0513-05	MCF (44.85MHZ NARR)	
XF2			L71-0512-05	MCF (44.85MHZ WIDE)	
CP600,601			R90-0725-05	MULTI-COMP 1K X2	
CP602			R90-0724-05	MULTI-COMP 1K X4	
CP603			R90-1019-05	MULTI-COMP 100 X2	
CP604,605			R90-0725-05	MULTI-COMP 1K X2	
CP606			R90-0719-05	MULTI-COMP 4.7K X2	
CP607,608			R90-0725-05	MULTI-COMP 1K X2	
CP609			R90-1019-05	MULTI-COMP 100 X2	
CP610,611			R90-0750-05	MULTIPLE RESISTOR	
CP612-614			R90-0725-05	MULTI-COMP 1K X2	
CP615-619			R90-0750-05	MULTIPLE RESISTOR	
R1			RK73GB1J272J	CHIP R 2.7K J 1/16W	
R3			RK73GB1J681J	CHIP R 680 J 1/16W	
R4			RK73GB1J100J	CHIP R 10 J 1/16W	
R5			RK73GB1J680J	CHIP R 68 J 1/16W	
R6			RK73GB1J102J	CHIP R 1.0K J 1/16W	
R7			RK73GB1J103J	CHIP R 10K J 1/16W	
R8			RK73GB1J333J	CHIP R 33K J 1/16W	
R9			RK73GB1J101J	CHIP R 100 J 1/16W	
R10			RK73GB1J473J	CHIP R 47K J 1/16W	
R11			RK73GB1J223J	CHIP R 22K J 1/16W	
R13			RK73GB1J470J	CHIP R 47 J 1/16W	
R14,15			RK73GB1J271J	CHIP R 270 J 1/16W	
R16			RK73GB1J180J	CHIP R 18 J 1/16W	
R17			R92-0670-05	CHIP R 0 OHM	
R18			RK73GB1J474J	CHIP R 470K J 1/16W	
R19			RK73GB1J224J	CHIP R 220K J 1/16W	
R20			RK73GB1J824J	CHIP R 820K J 1/16W	
R21			RK73GB1J684J	CHIP R 680K J 1/16W	
R22			RK73GB1J471J	CHIP R 470 J 1/16W	
R30			RK73GB1J821J	CHIP R 820 J 1/16W	
R31			RK73GB1J5R6J	CHIP R 5.6 J 1/16W	
R32			RK73GB1J821J	CHIP R 820 J 1/16W	
R33			RK73GB1J470J	CHIP R 47 J 1/16W	
R34			RK73GB1J102J	CHIP R 1.0K J 1/16W	
R35			RK73GB1J182J	CHIP R 1.8K J 1/16W	
R36			RK73GB1J102J	CHIP R 1.0K J 1/16W	
R37			RK73GB1J682J	CHIP R 6.8K J 1/16W	
R38			R92-1252-05	CHIP R 0 OHM	
R39			RK73GB1J560J	CHIP R 56 J 1/16W	
R40			RK73GB1J270J	CHIP R 27 J 1/16W	
R41			RK73GB1J222J	CHIP R 2.2K J 1/16W	
R42-45			RK73GB1J223J	CHIP R 22K J 1/16W	
R46			RK73GB1J222J	CHIP R 2.2K J 1/16W	
R47			RK73GB1J153J	CHIP R 15K J 1/16W	
R48			RK73GB1J473J	CHIP R 47K J 1/16W	
R49			RK73GB1J221J	CHIP R 220 J 1/16W	
R50			RK73GB1J153J	CHIP R 15K J 1/16W	
R51			R92-1252-05	CHIP R 0 OHM	
R52			RK73GB1J223J	CHIP R 22K J 1/16W	
R53			RK73GB1J682J	CHIP R 6.8K J 1/16W	
R54			RK73GB1J102J	CHIP R 1.0K J 1/16W	
R55			RK73GB1J223J	CHIP R 22K J 1/16W	
R56			RK73GB1J682J	CHIP R 6.8K J 1/16W	
R57			RK73GB1J182J	CHIP R 1.8K J 1/16W	
R58			RK73GB1J153J	CHIP R 15K J 1/16W	
R59			RK73GB1J223J	CHIP R 22K J 1/16W	
R60			RK73GB1J103J	CHIP R 10K J 1/16W	
R61			RK73GB1J274J	CHIP R 270K J 1/16W	
R62			RK73GB1J222J	CHIP R 2.2K J 1/16W	
R63			RK73GB1J183J	CHIP R 18K J 1/16W	
R64			RK73GB1J220J	CHIP R 22 J 1/16W	
R65			RK73GB1J472J	CHIP R 4.7K J 1/16W	
R66			RK73GB1J334J	CHIP R 330K J 1/16W	
R67			RK73GB1J102J	CHIP R 1.0K J 1/16W	
R68			RK73GB1J332J	CHIP R 3.3K J 1/16W	
R69			RK73GB1J392J	CHIP R 3.9K J 1/16W	
R71			RK73GB1J104J	CHIP R 100K J 1/16W	
R72			RK73GB1J393J	CHIP R 39K J 1/16W	
R73			RK73GB1J474J	CHIP R 470K J 1/16W	
R74,75			RK73GB1J220J	CHIP R 22 J 1/16W	
R76			RK73GB1J104J	CHIP R 100K J 1/16W	
R77,78			RK73GB1J473J	CHIP R 47K J 1/16W	
R79			RK73GB1J104J	CHIP R 100K J 1/16W	
R82			RK73GB1J474J	CHIP R 470K J 1/16W	

PARTS LIST

TX-RX UNIT (X57-6260-XX)

Ref. No.	Address	New parts	Parts No.	Description	Destination	Ref. No.	Address	New parts	Parts No.	Description	Destination
R83			R92-1252-05	CHIP R 0 OHM		R638			RK73GB1J102J	CHIP R 1.0K J 1/16W	
R87,88			RK73GB1J102J	CHIP R 1.0K J 1/16W		R639			R92-1252-05	CHIP R 0 OHM	
R90			R92-1252-05	CHIP R 0 OHM		R640			RK73GB1J102J	CHIP R 1.0K J 1/16W	
R91			RK73GB1J472J	CHIP R 4.7K J 1/16W		R641			R92-1252-05	CHIP R 0 OHM	
R92			RK73GB1J182J	CHIP R 1.8K J 1/16W		R642			RK73GB1J102J	CHIP R 1.0K J 1/16W	
R93			RK73GB1J101J	CHIP R 100 J 1/16W		R643			RK73GB1J473J	CHIP R 47K J 1/16W	
R94			RK73GB1J470J	CHIP R 47 J 1/16W		R644			RK73GB1J102J	CHIP R 1.0K J 1/16W	
R95			RK73GB1J472J	CHIP R 4.7K J 1/16W		R645,646			RK73GB1J473J	CHIP R 47K J 1/16W	
R96			RK73GB1J182J	CHIP R 1.8K J 1/16W		R647-652			RK73GB1J102J	CHIP R 1.0K J 1/16W	
R97			RK73GB1J472J	CHIP R 4.7K J 1/16W		R653,654			R92-0670-05	CHIP R 0 OHM	
R98			RK73GB1J182J	CHIP R 1.8K J 1/16W		R655			RK73GB1J473J	CHIP R 47K J 1/16W	
R99			RK73GB1J101J	CHIP R 100 J 1/16W		R656			RK73GB1J102J	CHIP R 1.0K J 1/16W	
R100			RK73GB1J220J	CHIP R 22 J 1/16W		R657-661			RK73GB1J473J	CHIP R 47K J 1/16W	
R104			R92-0670-05	CHIP R 0 OHM		R662			RK73GB1J102J	CHIP R 1.0K J 1/16W	
R106			R92-1252-05	CHIP R 0 OHM		R663-667			RK73GB1J473J	CHIP R 47K J 1/16W	
R109			RK73GB1J101J	CHIP R 100 J 1/16W		R668			RK73GB1J183J	CHIP R 18K J 1/16W	
R110			RK73GB1J821J	CHIP R 820 J 1/16W		R669-671			RK73GB1J223J	CHIP R 22K J 1/16W	
R111			RK73GB1J5R6J	CHIP R 5.6 J 1/16W		R672-674			RK73GB1J104J	CHIP R 100K J 1/16W	
R112			RK73GB1J821J	CHIP R 820 J 1/16W		R675			RK73GB1J333J	CHIP R 33K J 1/16W	
R120,121			RK73GB1J152J	CHIP R 1.5K J 1/16W		R676			RK73GB1J823J	CHIP R 82K J 1/16W	
R122,123			RK73GB1J100J	CHIP R 10 J 1/16W		R678			RK73GB1J104J	CHIP R 100K J 1/16W	
R124,125			RK73GB1J152J	CHIP R 1.5K J 1/16W		R679,680			RK73GB1J223J	CHIP R 22K J 1/16W	
R126,127			RK73GB1J100J	CHIP R 10 J 1/16W		R681			RK73GB1J183J	CHIP R 18K J 1/16W	
R128			RK73GB1J472J	CHIP R 4.7K J 1/16W		R682			RK73GB1J153J	CHIP R 15K J 1/16W	
R129,130			RK73GB1J473J	CHIP R 47K J 1/16W		R683			RK73GB1J124J	CHIP R 120K J 1/16W	
R133			RK73GB1J103J	CHIP R 10K J 1/16W		R684			RK73GB1J473J	CHIP R 47K J 1/16W	
R137,138			RK73GB1J102J	CHIP R 1.0K J 1/16W		R685,686			RK73GB1J104J	CHIP R 100K J 1/16W	
R139-142			R92-1252-05	CHIP R 0 OHM		R687			RK73GB1J223J	CHIP R 22K J 1/16W	
R143			RK73GB1J102J	CHIP R 1.0K J 1/16W		R688-690			RK73GB1J473J	CHIP R 47K J 1/16W	
R144			RK73GB1J223J	CHIP R 22K J 1/16W		R691-693			R92-1252-05	CHIP R 0 OHM	
R148			RK73GB1J223J	CHIP R 22K J 1/16W		R694,695			RK73GB1J101J	CHIP R 100 J 1/16W	
R150			RK73GB1J180J	CHIP R 18 J 1/16W		R696			RK73GB1J103J	CHIP R 10K J 1/16W	
R151-158			RK73GB1J102J	CHIP R 1.0K J 1/16W		R697			RK73GB1J101J	CHIP R 100 J 1/16W	
R159			RK73GB1J221J	CHIP R 220 J 1/16W		R698			RK73GB1J103J	CHIP R 10K J 1/16W	
R160			RK73GB1J271J	CHIP R 270 J 1/16W		R699			R92-1252-05	CHIP R 0 OHM	
R161,162			RK73GB1J471J	CHIP R 470 J 1/16W		R700			RK73GB1J101J	CHIP R 100 J 1/16W	
R163,164			RK73GB1J271J	CHIP R 270 J 1/16W		R701			R92-1252-05	CHIP R 0 OHM	
R165			RK73GB1J471J	CHIP R 470 J 1/16W		R702			RK73GB1J473J	CHIP R 47K J 1/16W	
R166			RK73GB1J223J	CHIP R 22K J 1/16W		R703			R92-1252-05	CHIP R 0 OHM	
R600			RK73GB1J473J	CHIP R 47K J 1/16W		R704-706			RK73GB1J473J	CHIP R 47K J 1/16W	
R601			R92-0670-05	CHIP R 0 OHM		R707-709			RK73GB1J223J	CHIP R 22K J 1/16W	
R602			RK73GB1J472J	CHIP R 4.7K J 1/16W		R710			RK73GB1J473J	CHIP R 47K J 1/16W	
R603			RK73GB1J102J	CHIP R 1.0K J 1/16W		R712			RK73GB1J473J	CHIP R 47K J 1/16W	
R604			RK73GB1J333J	CHIP R 33K J 1/16W		R713			RK73GB1J273J	CHIP R 27K J 1/16W	
R605			RK73GB1J104J	CHIP R 100K J 1/16W		R714			RK73GB1J223J	CHIP R 22K J 1/16W	
R606			RK73GB1J473J	CHIP R 47K J 1/16W		R715			RK73GB1J103J	CHIP R 10K J 1/16W	
R607-613			R92-1252-05	CHIP R 0 OHM		R717,718			RK73GB1J473J	CHIP R 47K J 1/16W	
R614			RK73GB1J473J	CHIP R 47K J 1/16W		R719			RK73GB1J104J	CHIP R 100K J 1/16W	
R615			R92-1252-05	CHIP R 0 OHM		R720			RK73GB1J473J	CHIP R 47K J 1/16W	
R616			RK73GB1J473J	CHIP R 47K J 1/16W		R721			RK73GB1J223J	CHIP R 22K J 1/16W	
R618			R92-1252-05	CHIP R 0 OHM		R722			RK73GB1J334J	CHIP R 330K J 1/16W	
R619			RK73GB1J473J	CHIP R 47K J 1/16W		R723,724			R92-1252-05	CHIP R 0 OHM	
R620-622			RK73GB1J102J	CHIP R 1.0K J 1/16W		R726			RK73GB1J473J	CHIP R 47K J 1/16W	
R623,624			R92-1252-05	CHIP R 0 OHM		R727			R92-1252-05	CHIP R 0 OHM	
R625-628			RK73GB1J102J	CHIP R 1.0K J 1/16W		R728,729			RK73GB1J223J	CHIP R 22K J 1/16W	
R629			R92-1252-05	CHIP R 0 OHM		R730			RK73GB1J101J	CHIP R 100 J 1/16W	
R630,631			RK73GB1J473J	CHIP R 47K J 1/16W		R731			RK73GB1J472J	CHIP R 4.7K J 1/16W	
R633,634			RK73GB1J473J	CHIP R 47K J 1/16W		R732			RK73GB1J473J	CHIP R 47K J 1/16W	
R635,636			RK73GB1J102J	CHIP R 1.0K J 1/16W		R733			R92-1252-05	CHIP R 0 OHM	
R637			R92-1252-05	CHIP R 0 OHM		R734			RK73GB1J473J	CHIP R 47K J 1/16W	

PARTS LIST

TX-RX UNIT (X57-6260-XX)

Ref. No.	Address	New parts	Parts No.	Description	Destination	Ref. No.	Address	New parts	Parts No.	Description	Destination
R735			RK73GB1J333J	CHIP R 33K J 1/16W		R808			RK73GB1J102J	CHIP R 1.0K J 1/16W	
R736,737			RK73GB1J473J	CHIP R 47K J 1/16W		R809			RK73GB1J473J	CHIP R 47K J 1/16W	
R738			RK73GB1J274J	CHIP R 270K J 1/16W		R810			RK73GB1J102J	CHIP R 1.0K J 1/16W	
R739			RK73GB1J103J	CHIP R 10K J 1/16W		R811			RK73GB1J473J	CHIP R 47K J 1/16W	
R740			RK73GB1J104J	CHIP R 100K J 1/16W		R812			RK73GB1J223J	CHIP R 22K J 1/16W	
R741			RK73GB1J154J	CHIP R 150K J 1/16W		R813,814			RK73GB1J473J	CHIP R 47K J 1/16W	
R742			R92-0670-05	CHIP R 0 OHM		R815			RK73GB1J104J	CHIP R 100K J 1/16W	
R743			RK73GB1J473J	CHIP R 47K J 1/16W		K1			S76-0401-05	RELAY	
R744			RK73GB1J393J	CHIP R 39K J 1/16W		D1-4			DAN235K	DIODE	
R745			RK73GB1J473J	CHIP R 47K J 1/16W		D5			MA742	DIODE	
R747			RK73GB1J103J	CHIP R 10K J 1/16W		D7			1SS355	DIODE	
R749-752			R92-1252-05	CHIP R 0 OHM		D8			DAN235K	DIODE	
R753,754			RK73GB1J473J	CHIP R 47K J 1/16W		D11			02DZ5.1(Y)	ZENER DIODE	
R755,756			R92-0670-05	CHIP R 0 OHM		D12			02DZ18(X,Y)	ZENER DIODE	
R758			RK73GB1J103J	CHIP R 10K J 1/16W		D600			DA204U	DIODE	
R760			RK73GB1J122J	CHIP R 1.2K J 1/16W		D601			MA2S111	DIODE	
R762			RK73GB1J472J	CHIP R 4.7K J 1/16W		D606-625			DA204U	DIODE	
R763			RK73GB1J103J	CHIP R 10K J 1/16W		D626			MINISMDE190	VARISTOR	
R764,765			RK73GB1J102J	CHIP R 1.0K J 1/16W		D627,628			1SS355	DIODE	
R766			RK73GB1J122J	CHIP R 1.2K J 1/16W		D629			DA204U	DIODE	
R767			RK73GB1J473J	CHIP R 47K J 1/16W		IC1			NJM2904E	MOS IC	
R768			RK73GB1J122J	CHIP R 1.2K J 1/16W		IC2			NJM4558E	MOS IC	
R769,770			R92-0670-05	CHIP R 0 OHM		IC3			NJM78L05UA	BI-POLAR IC	
R771			RK73GB1J122J	CHIP R 1.2K J 1/16W		IC4			NJM7808FA	BI-POLAR IC	
R772			RK73GB1J473J	CHIP R 47K J 1/16W		IC5			AN8009M	MOS IC	
R773			RK73GB1J102J	CHIP R 1.0K J 1/16W		IC6			M62354GP	MOS IC	
R774			RK73GB1J105J	CHIP R 1.0M J 1/16W		IC7			BU4094BCF	MOS IC	
R775			RK73GB1J473J	CHIP R 47K J 1/16W		IC9		*	TK14489V	BI-POLAR IC	
R776			RK73GB1J102J	CHIP R 1.0K J 1/16W		IC10			TA7808F	ANALOG IC	
R777			RK73GB1J473J	CHIP R 47K J 1/16W		IC11			NJM78L05UA	BI-POLAR IC	
R778			RK73GB1J102J	CHIP R 1.0K J 1/16W		IC600			AT2408N10S12.5	ROM IC	
R779			RK73GB1J473J	CHIP R 47K J 1/16W		IC601			RH5VL42C	MOS IC	
R780			RK73GB1J102J	CHIP R 1.0K J 1/16W		IC602			BU4094BCFV	MOS IC	
R781			RK73GB1J471J	CHIP R 470 J 1/16W		IC603			TC74LVX4245FS	MOS IC	
R782			RK73GB1J473J	CHIP R 47K J 1/16W		IC604		*	30622M4-113GP	MPU	
R783			RK73GB1J102J	CHIP R 1.0K J 1/16W		IC605			BU4053BCF	MOS IC	
R784			RK73GB1J473J	CHIP R 47K J 1/16W		IC606			TC74LVX4245FS	MOS IC	
R785			RK73GB1J102J	CHIP R 1.0K J 1/16W		IC607			NJM4558E	MOS IC	
R786			RK73GB1J473J	CHIP R 47K J 1/16W		IC608			TA75S01F	MOS IC	
R787			RK73GB1J102J	CHIP R 1.0K J 1/16W		IC609			AT29C020-90TI	ROM IC	
R788			RK73GB1J473J	CHIP R 47K J 1/16W		IC610			TA75S01F	MOS IC	
R789			RK73GB1J102J	CHIP R 1.0K J 1/16W		IC611			NJM4558E	MOS IC	
R790			RK73GB1J473J	CHIP R 47K J 1/16W		IC612			TC7S04FU	MOS IC	
R791			RK73GB1J102J	CHIP R 1.0K J 1/16W		IC613			TC74VHC4040FT	MOS IC	
R792			RK73GB1J473J	CHIP R 47K J 1/16W		IC614			AK4550VT	MOS IC	
R793			RK73GB1J102J	CHIP R 1.0K J 1/16W		IC615			M62364FP	MOS IC	
R794			RK73GB1J473J	CHIP R 47K J 1/16W		IC616,617			NJM4558E	MOS IC	
R795			RK73GB1J102J	CHIP R 1.0K J 1/16W		IC618			320VC5402PGE	MPU	
R796			RK73GB1J473J	CHIP R 47K J 1/16W		IC619			TC75W51FU	MOS IC	
R797			RK73GB1J102J	CHIP R 1.0K J 1/16W		IC620		*	ADM202EARN	MOS IC	
R798			RK73GB1J473J	CHIP R 47K J 1/16W		IC621			TC7S00FU	MOS IC	
R799			RK73GB1J102J	CHIP R 1.0K J 1/16W		IC622			TC7S66FU	MOS IC	
R800			RK73GB1J473J	CHIP R 47K J 1/16W		IC623			BU4094BCFV	MOS IC	
R801			RK73GB1J102J	CHIP R 1.0K J 1/16W		IC624			XC62FP1802P	MOS IC	
R802			RK73FB2A2R2J	CHIP R 2.2 J 1/10W		IC625,626			XC62FP3302P	MOS IC	
R803			RK73GB1J473J	CHIP R 47K J 1/16W		IC627,628			TA78L05F	MOS IC	
R804			RK73GB1J102J	CHIP R 1.0K J 1/16W		IC629			LA4422	BI-POLAR IC	
R805			RK73GB1J473J	CHIP R 47K J 1/16W		IC630			TA78L05F	MOS IC	
R806			RK73GB1J102J	CHIP R 1.0K J 1/16W			3B				
R807			RK73GB1J473J	CHIP R 47K J 1/16W							

PARTS LIST

TX-RX UNIT (X57-6260-XX)
RX PLL/VCO (X58-4780-10)

Ref. No.	Address	New parts	Parts No.	Description	Desti-nation	Ref. No.	Address	New parts	Parts No.	Description	Desti-nation
Q1,2			2SC3357	TRANSISTOR		C359			CC73GCH1H080B	CHIP C 8.0PF B	
Q3			2SC3356(R24)	TRANSISTOR		C360,361			CK73FB1C474K	CHIP C 0.47UF K	
Q4			DTC144EUA	DIGITAL TRANSISTOR		C362,363			CC73GCH1H470J	CHIP C 47PF J	
Q5			DTA144EUA	DIGITAL TRANSISTOR		C364,365			CK73GB1H102K	CHIP C 1000PF K	
Q6			DTC144EUA	DIGITAL TRANSISTOR		C366			CC73GCH1H180G	CHIP C 18PF G	
Q7			2SC4617(S)	TRANSISTOR		C367			CC73GCH1H150G	CHIP C 15PF G	
Q8			2SC3120	TRANSISTOR		C368			CC73GCH1H180G	CHIP C 18PF G	
Q9			2SC3357	TRANSISTOR		C369			CC73GCH1H150G	CHIP C 15PF G	
Q10			2SA1586(Y,GR)	TRANSISTOR		C370			CC73GCH1H180G	CHIP C 18PF G	
Q11			2SC3120	TRANSISTOR		C371			CC73GCH1H150G	CHIP C 15PF G	
Q12-15			2SC4116(GR)	TRANSISTOR		C372,373			CK73GB1H102K	CHIP C 1000PF K	
Q16			2SB1132(Q,R)	TRANSISTOR		C374,375			CC73GCH1H010B	CHIP C 1.0PF B	
Q17			DTC114EUA	DIGITAL TRANSISTOR		C376-378			CK73GB1H102K	CHIP C 1000PF K	
Q18			2SB1386(R)	TRANSISTOR		C379			CC73GCH1H100C	CHIP C 10PF C	
Q19,20			DTC114EUA	DIGITAL TRANSISTOR		C383			CK73GB1H102K	CHIP C 1000PF K	
Q23			DTC114EUA	DIGITAL TRANSISTOR		TC350,351	*		C05-0396-05	CERAMIC TRIMMER CAP (8P)	
Q24			DTD114EK	DIGITAL TRANSISTOR		CN300			E40-5699-05	PIN ASSY	
Q25			DTC114EUA	DIGITAL TRANSISTOR		CN350			E40-5755-05	PIN ASSY	
Q600			2SK1824	FET		CN351	*		E40-6098-05	PIN ASSY	
Q601			DTC114EUA	DIGITAL TRANSISTOR		-	*		F10-2377-04	SHIELDING CASE	
Q602			2SK1824	FET		L300			L92-0148-05	FERRITE CHIP	
Q603			DTC114EUA	DIGITAL TRANSISTOR		L301,302			L40-3975-34	SMALL FIXED INDUCTOR (39NH)	
Q604			2SK1824	FET		L303			L40-1085-34	SMALL FIXED INDUCTOR (100NH)	
Q605			DTC114EUA	DIGITAL TRANSISTOR		L350-355			L33-1268-15	SMALL FIXED INDUCTOR	
Q606			DTC363EK	DIGITAL TRANSISTOR		L356,357	*		L34-4612-05	AIR-CORE COIL	
Q609			DTC114EUA	DIGITAL TRANSISTOR		L358-361			L33-1268-15	SMALL FIXED INDUCTOR	
Q610			2SJ506(S)	FET		L362			L40-8271-34	SMALL FIXED INDUCTOR (82NH)	
Q611			DTC114EUA	DIGITAL TRANSISTOR		R300			RK73GB1J100J	CHIP R 10 J 1/16W	
TH1			157-503-53006	THERMISTOR		R301-304			RK73GB1J101J	CHIP R 100 J 1/16W	
A1			W02-1939-05	DBM		R305			R92-1252-05	CHIP R 0 OHM	
RX PLL/VCO (X58-4780-10)						R306			RK73GB1J220J	CHIP R 22 J 1/16W	
C304,305			CK73GB1H102K	CHIP C 1000PF K		R308			RK73GB1J560J	CHIP R 56 J 1/16W	
C306			CK73GB1H103K	CHIP C 0.010UF K		R309			RK73GB1J221J	CHIP R 220 J 1/16W	
C307			CK73GB1H102K	CHIP C 1000PF K		R310			RK73GB1J682J	CHIP R 6.8K J 1/16W	
C308-310			CK73FB1E104K	CHIP C 0.10UF K		R311			RK73GB1J223J	CHIP R 22K J 1/16W	
C311			C92-0001-05	CHIP C 0.1UF 35WV		R312			RK73GB1J221J	CHIP R 220 J 1/16W	
C312			CC73GCH1H150J	CHIP C 15PF J		R313			RK73GB1J222J	CHIP R 2.2K J 1/16W	
C313			CC73GCH1H030C	CHIP C 3.0PF C		R314			RK73GB1J474J	CHIP R 470K J 1/16W	
C314			CC73GCH1H270J	CHIP C 27PF J		R315			RK73GB1J331J	CHIP R 330 J 1/16W	
C315			CK73FB1H473K	CHIP C 0.047UF K		R316			RK73FB2A152J	CHIP R 1.5K J 1/10W	
C316			CC73GCH1H030C	CHIP C 3.0PF C		R317,318			R92-1252-05	CHIP R 0 OHM	
C317			CC73GCH1H150J	CHIP C 15PF J		R319			RK73GB1J330J	CHIP R 33 J 1/16W	
C318			C92-0514-05	CHIP-TAN 2.2UF 10WV		R320			RK73GB1J102J	CHIP R 1.0K J 1/16W	
C319			CK73GB1H102K	CHIP C 1000PF K		R321			RK73GB1J223J	CHIP R 22K J 1/16W	
C320			C92-0514-05	CHIP-TAN 2.2UF 10WV		R322			RK73GB1J103J	CHIP R 10K J 1/16W	
C321			CC73GCH1H470J	CHIP C 47PF J		R350-353			R92-1252-05	CHIP R 0 OHM	
C322			CK73GB1H102K	CHIP C 1000PF K		R354,355			RK73GB1J330J	CHIP R 33 J 1/16W	
C323			CK73FB1E224K	CHIP C 0.22UF K		R356,357			RK73GB1J271J	CHIP R 270 J 1/16W	
C324			C92-0003-05	CHIP-TAN 0.47UF 25WV		R358,359			RK73GB1J470J	CHIP R 47 J 1/16W	
C325			CC73GCH1H050C	CHIP C 5.0PF C		R360-363			RK73GB1J472J	CHIP R 4.7K J 1/16W	
C327			C92-0514-05	CHIP-TAN 2.2UF 10WV		R364			RK73GB1J103J	CHIP R 10K J 1/16W	
C354			CK73GB1H102K	CHIP C 1000PF K		R365			RK73GB1J473J	CHIP R 47K J 1/16W	
C355			CC73GCH1H390J	CHIP C 39PF J		R366			RK73GB1J103J	CHIP R 10K J 1/16W	
C356			CC73GCH1H330J	CHIP C 33PF J		R367			RK73GB1J221J	CHIP R 220 J 1/16W	
C357			CK73GB1H102K	CHIP C 1000PF K		R368			RK73GB1J330J	CHIP R 33 J 1/16W	
C358			CC73GCH1H040B	CHIP C 4.0PF B		D350-353			1SV282	VARIABLE CAPACITANCE DIODE	
						IC300			SA7025DK	MOS IC	

PARTS LIST

RX PLL/VCO (X58-4780-10)

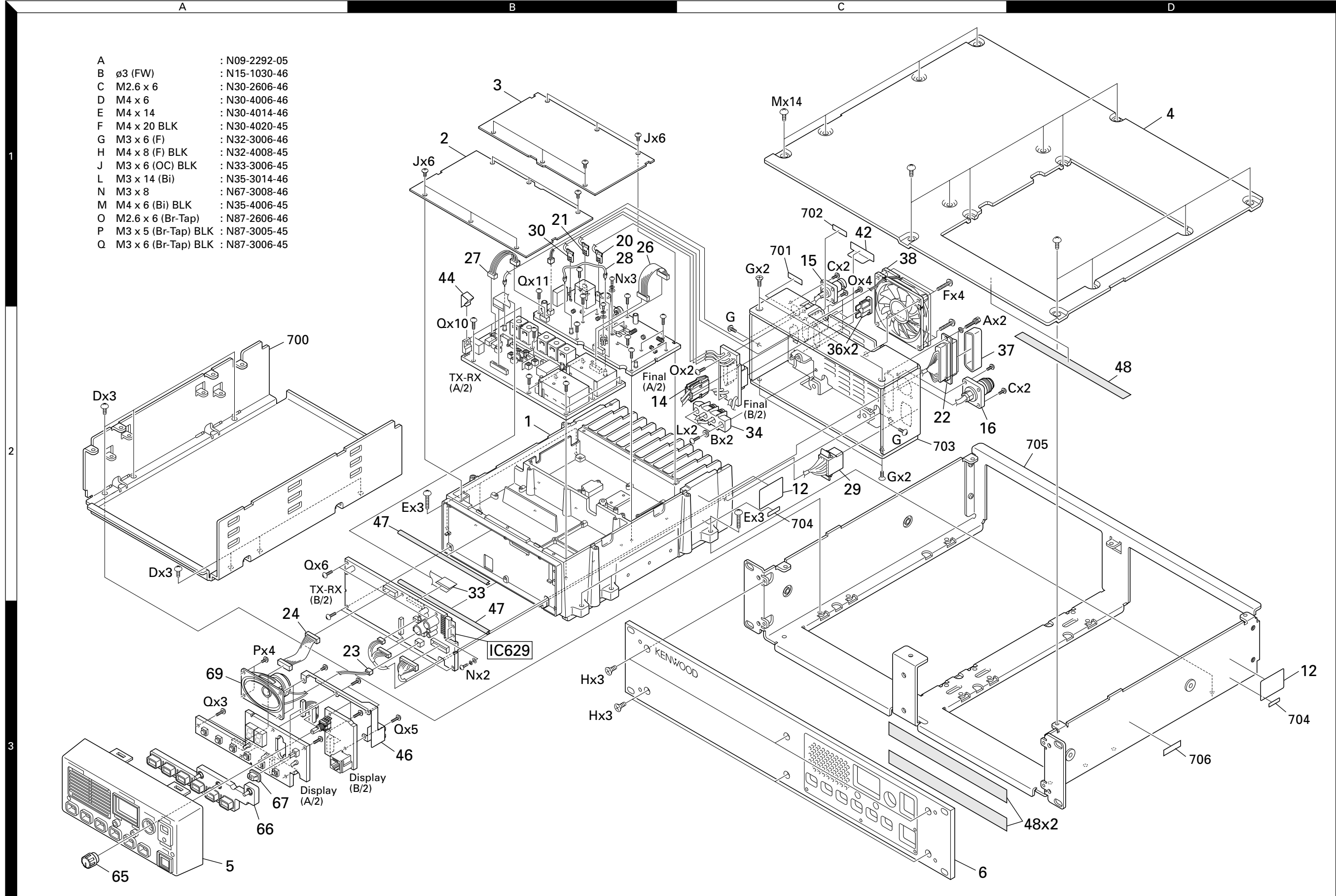
TX PLL/VCO (X58-4790-10)

Ref. No.	Address	New parts	Parts No.	Description	Destination
Q300,301			2SC4116(GR)	TRANSISTOR	
Q302			2SC4215(Y)	TRANSISTOR	
Q350,351			2SK508NV(K52)	FET	
Q352,353			2SC4116(Y)	TRANSISTOR	
Q354			DTC114EUA	DIGITAL TRANSISTOR	
Q355			2SC4215(Y)	TRANSISTOR	
TX PLL/VCO (X58-4790-10)					
C304,305			CK73GB1H102K	CHIP C 1000PF K	
C306			CK73GB1H103K	CHIP C 0.010UF K	
C307			CK73GB1H102K	CHIP C 1000PF K	
C308-310			CK73FB1E104K	CHIP C 0.10UF K	
C311			C92-0001-05	CHIP C 0.1UF 35WV	
C312			CC73GCH1H220J	CHIP C 22PF J	
C313			CC73GCH1H040C	CHIP C 4.0PF C	
C314			CC73GCH1H390J	CHIP C 39PF J	
C315			CK73FB1H473K	CHIP C 0.047UF K	
C316			CC73GCH1H040C	CHIP C 4.0PF C	
C317			CC73GCH1H220J	CHIP C 22PF J	
C318			C92-0514-05	CHIP-TAN 2.2UF 10WV	
C319			CK73GB1H102K	CHIP C 1000PF K	
C320			C92-0514-05	CHIP-TAN 2.2UF 10WV	
C321			CC73GCH1H470J	CHIP C 47PF J	
C322			CK73GB1H102K	CHIP C 1000PF K	
C323			CK73FB1E224K	CHIP C 0.22UF K	
C324			C92-0003-05	CHIP-TAN 0.47UF 25WV	
C325			CC73GCH1H050C	CHIP C 5.0PF C	
C354			CK73GB1H102K	CHIP C 1000PF K	
C355			CC73GCH1H180G	CHIP C 18PF G	
C356			CC73GCH1H270G	CHIP C 27PF G	
C357			CK73GB1H102K	CHIP C 1000PF K	
C360,361			CK73FB1C474K	CHIP C 0.47UF K	
C362			CC73GCH1H220G	CHIP C 22PF G	
C363			CC73GCH1H180G	CHIP C 18PF G	
C364,365			CK73GB1H102K	CHIP C 1000PF K	
C366			CC73GCH1H270G	CHIP C 27PF G	
C367			CC73GCH1H180G	CHIP C 18PF G	
C368			CC73GCH1H150G	CHIP C 15PF G	
C369			CC73GCH1H090B	CHIP C 9.0PF B	
C370			CC73GCH1H150G	CHIP C 15PF G	
C371			CC73GCH1H090B	CHIP C 9.0PF B	
C372,373			CK73GB1H102K	CHIP C 1000PF K	
C374,375			CC73GCH1H010B	CHIP C 1.0PF B	
C376-378			CK73GB1H102K	CHIP C 1000PF K	
C379			CC73GCH1H100C	CHIP C 10PF C	
C380,381			CC73GCH1HR75B	CHIP C 0.75PF B	
C382,383			CK73GB1H102K	CHIP C 1000PF K	
TC350,351		*	C05-0396-05	CERAMIC TRIMMER CAP (8P)	
CN300			E40-5699-05	PIN ASSY	
CN350			E40-5755-05	PIN ASSY	
CN351		*	E40-6098-05	PIN ASSY	
-		*	F10-2377-04	SHIELDING CASE	
L300			L92-0148-05	FERRITE CHIP	
L301,302			L40-3975-34	SMALL FIXED INDUCTOR (39NH)	
L303			L40-1085-34	SMALL FIXED INDUCTOR (100NH)	
L350-355			L33-1268-15	SMALL FIXED INDUCTOR	
L356,357		*	L34-4612-05	AIR-CORE COIL	
L360,361			L33-1268-15	SMALL FIXED INDUCTOR	
L362			L40-8271-34	SMALL FIXED INDUCTOR (82NH)	
R300			RK73GB1J100J	CHIP R 10 J 1/16W	
R301-304			RK73GB1J101J	CHIP R 100 J 1/16W	
R305			R92-1252-05	CHIP R 0 OHM	
R306			RK73GB1J220J	CHIP R 22 J 1/16W	
R308			RK73GB1J560J	CHIP R 56 J 1/16W	
R309			RK73GB1J221J	CHIP R 220 J 1/16W	
R310			RK73GB1J682J	CHIP R 6.8K J 1/16W	
R311			RK73GB1J223J	CHIP R 22K J 1/16W	
R312			RK73GB1J221J	CHIP R 220 J 1/16W	
R313			RK73GB1J222J	CHIP R 2.2K J 1/16W	
R314			RK73GB1J474J	CHIP R 470K J 1/16W	
R315			RK73GB1J331J	CHIP R 330 J 1/16W	
R316			RK73FB2A152J	CHIP R 1.5K J 1/10W	
R317,318			R92-1252-05	CHIP R 0 OHM	
R319			RK73GB1J330J	CHIP R 33 J 1/16W	
R320			RK73GB1J102J	CHIP R 1.0K J 1/16W	
R321			RK73GB1J223J	CHIP R 22K J 1/16W	
R322			RK73GB1J103J	CHIP R 10K J 1/16W	
R350-353			R92-1252-05	CHIP R 0 OHM	
R354,355			RK73GB1J330J	CHIP R 33 J 1/16W	
R356,357			RK73GB1J471J	CHIP R 470 J 1/16W	
R358,359			RK73GB1J470J	CHIP R 47 J 1/16W	
R360-363			RK73GB1J472J	CHIP R 4.7K J 1/16W	
R364			RK73GB1J103J	CHIP R 10K J 1/16W	
R365			RK73GB1J473J	CHIP R 47K J 1/16W	
R366			RK73GB1J103J	CHIP R 10K J 1/16W	
R367			RK73GB1J221J	CHIP R 220 J 1/16W	
R368			RK73GB1J330J	CHIP R 33 J 1/16W	
R370,371			RK73GB1J103J	CHIP R 10K J 1/16W	
R372			RK73GB1J223J	CHIP R 22K J 1/16W	
R373			RK73GB1J104J	CHIP R 100K J 1/16W	
R374			RK73GB1J223J	CHIP R 22K J 1/16W	
R375			RK73GB1J104J	CHIP R 100K J 1/16W	
D350-353			1SV282	VARIABLE CAPACITANCE DIODE	
D354,355			1SV214	VARIABLE CAPACITANCE DIODE	
IC300			SA7025DK	MOS IC	
Q300,301			2SC4116(GR)	TRANSISTOR	
Q302			2SC4215(Y)	TRANSISTOR	
Q350,351			2SK508NV(K52)	FET	
Q352,353			2SC4116(Y)	TRANSISTOR	
Q354			DTC114EUA	DIGITAL TRANSISTOR	
Q355			2SC4215(Y)	TRANSISTOR	

TKR-750 TKR-750

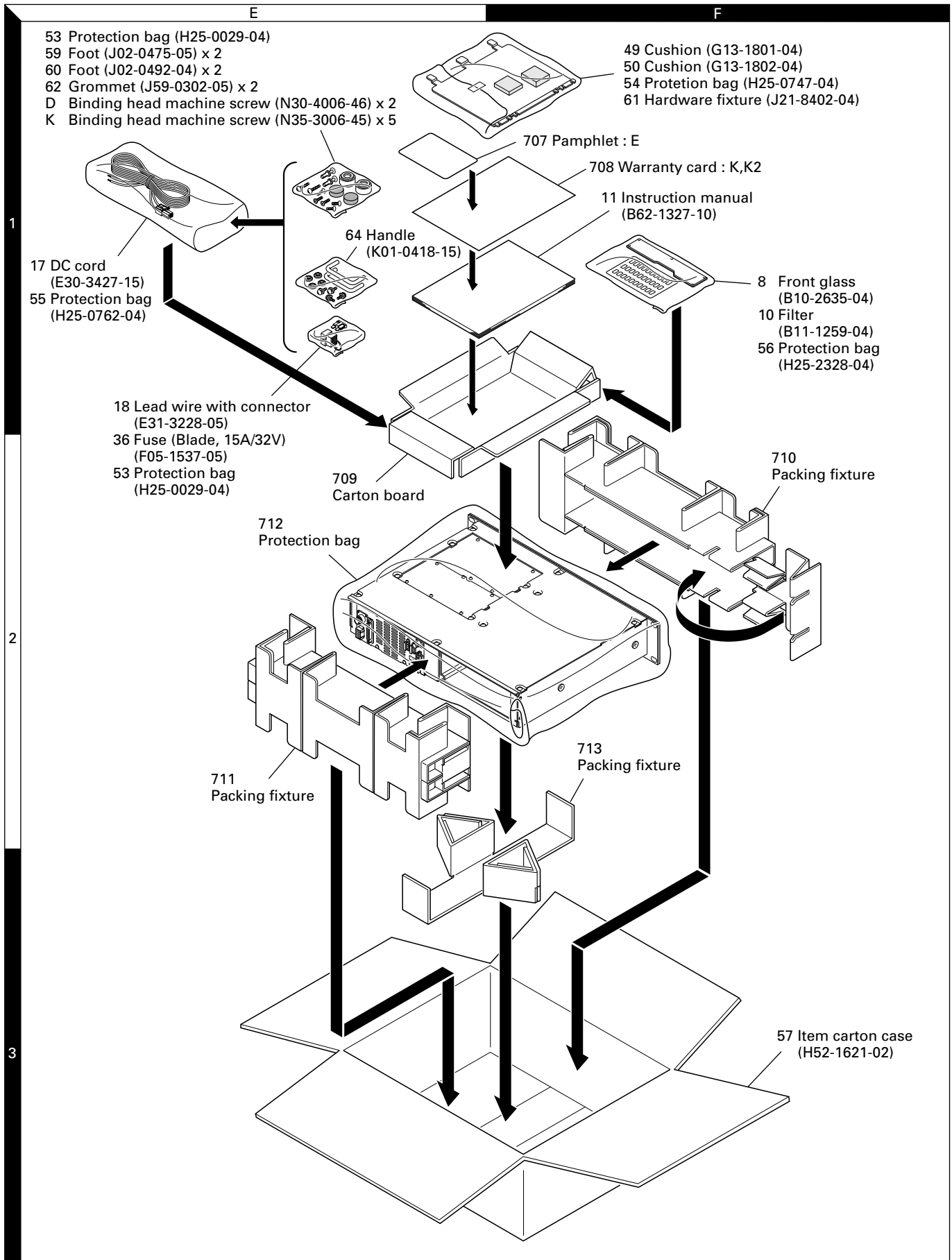
EXPLODED VIEW

- | | | |
|---|---------------------|---------------|
| A | : | N09-2292-05 |
| B | ∅3 (FW) | : N15-1030-46 |
| C | M2.6 x 6 | : N30-2606-46 |
| D | M4 x 6 | : N30-4006-46 |
| E | M4 x 14 | : N30-4014-46 |
| F | M4 x 20 BLK | : N30-4020-45 |
| G | M3 x 6 (F) | : N32-3006-46 |
| H | M4 x 8 (F) BLK | : N32-4008-45 |
| J | M3 x 6 (OC) BLK | : N33-3006-45 |
| L | M3 x 14 (Bi) | : N35-3014-46 |
| N | M3 x 8 | : N67-3008-46 |
| M | M4 x 6 (Bi) BLK | : N35-4006-45 |
| O | M2.6 x 6 (Br-Tap) | : N87-2606-46 |
| P | M3 x 5 (Br-Tap) BLK | : N87-3005-45 |
| Q | M3 x 6 (Br-Tap) BLK | : N87-3006-45 |



Parts with the exploded numbers larger than 700 are not supplied.

PACKING



Parts with the exploded numbers larger than 700 are not supplied.

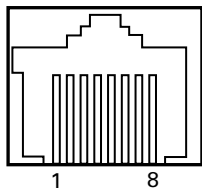
ADJUSTMENT

Test Equipment Required for Alignment

Test Equipment	Major Specifications	
1. Standard Signal Generator (SSG)	Frequency Range Modulation Output	136 to 174MHz Frequency modulation and external modulation 0.1μV to greater than 1mV
2. Power Meter	Input Impedance Operation Frequency Measurement Capability	50Ω 136 to 174MHz or more Vicinity of 50W
3. Deviation Meter	Frequency Range	136 to 174MHz
4. Digital Volt Meter (DVM)	Measuring Range Accuracy	1 to 20V DC High input impedance for minimum circuit loading
5. Oscilloscope		DC through 30MHz
6. High Sensitivity Frequency Counter	Frequency Range Frequency Stability	10Hz to 600MHz 0.2ppm or less
7. Ammeter		13A or more
8. AF Volt Meter (AF VTVM)	Frequency Range Voltage Range	50Hz to 10kHz 3mV to 3V
9. Audio Generator (AG)	Frequency Range Output	50Hz to 5kHz 0 to 1V
10. Distortion Meter	Capability Input Level	3% or less at 1kHz 50mV to 10Vrms
11. Voltmeter	Measuring Range Input Impedance	10 to 1.5V DC or less 50kΩ/V or greater
12. 4Ω Dummy Load		Approx. 4Ω, 5W

The following parts are required for adjustment

- Test cable for local microphone



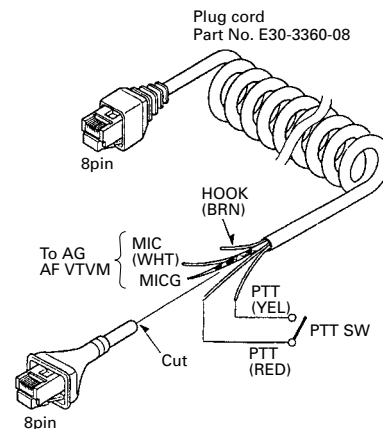
- 1 : NC
- 2 : +B
- 3 : GND
- 4 : PTT/TXD1 (PC serial data from radio)
- 5 : MIC GND
- 6 : MIC
- 7 : HOOK/RXD1 (PC serial data to radio)
- 8 : NC

MIC connector (Front panel view)

Test Channel (Default)

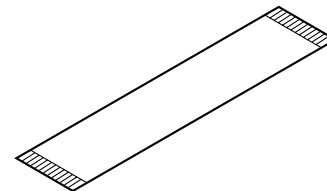
No.	K,E		K2	
	RX	TX	RX	TX
1	146.10	146.00	136.10	136.00
2	160.10	160.00	143.10	143.00
3	173.90	174.00	149.90	150.00
4	150.10	150.00	146.10	146.00
5	155.10	155.00	155.90	156.00
6	165.10	165.00	140.10	140.00
7	170.10	170.00	148.10	148.00
8	158.50	161.50	147.50	149.00
9	161.50	158.50	149.00	147.50
10	136.10	136.00	151.10	151.95
11	151.90	151.95	152.10	152.00
12	152.10	152.00	173.90	174.00

- The following test cables are recommended.



Test cable for microphone input

To connect the TX-RX unit A/2 (CN14) to the TX-RX unit B/2 (CN602) while in servicing, you can use the 36-pin flat cable, E37-0979-05, which is available from the KENWOOD parts center.



Flat cable (36-pin) about 256mm

ADJUSTMENT

Item	Condition	Measurement			Adjustment			Specifications/Remarks
		Test-equipment	Unit	Terminal	Unit	Parts	Method	
1. Setting & Firmware writing	1) Connect the unit to a suitable DC power supply. 2) Turn the DC source switch on after connecting a PC and FPU cable to the radio. 3) Write the firmware to radio. After the end of firmware writing.						→ "P.G." appears on LED display → Red (TX) LED lights up	
2. Write test frequency	1) Connect the unit to a suitable DC power supply. 2) Turn the DC source switch on after connecting a PC and FPU cable to the radio. 3) Write the test frequency to the radio. 4) End of test frequency writing.						→ "E1" appears on LED display → Green (BUSY) LED lights up	
3. Setting	1) Connect the unit to a suitable DC power supply. 2) Turn the power switch on after connecting a PC and FPU cable to the radio. 3) Start up the program for the adjustment.							
4. RX PLL lock voltage	1) RX VCO A high CH : 11 K,E CH : 10 K2	DVM	TX-RX (A/2)	RX-CV	RX VCO (A3)	TC350	1.50V	±0.1V
	2) RX VCO A low CH : 10 K,E CH : 1 K2						Check	8V or less
	3) RX VCO B high CH : 3 K,E CH : 12 K2				RX VCO (A3)	TC351	1.50V	±0.1V
	4) RX VCO B low CH : 12 K,E CH : 11 K2						Check	8V or less
5. TX PLL lock voltage	1) TX VCO A high CH : 11 K,E CH : 10 K2			TX-CV	TX VCO (A2)	TC350	1.50V	±0.1V
	2) TX VCO A low CH : 10 K,E CH : 1 K2					Check	8V or less	
	3) TX VCO B high CH : 3 K,E CH : 12 K2				TX VCO (A2)	TC351	1.50V	±0.1V
	4) TX VCO B low CH : 12 K,E CH : 11 K2					Check	8V or less	
6. RX frequency	1) Connect the frequency counter to CN3, then measure the frequency CH : 2	f. counter		CN3			PC adj. Test CH+44.85MHz	50Hz or less
Note : RX frequency means the local frequency of the RX VCO. So its frequency is wanted frequency plus the IF frequency.								
7. RX frequency (tune)	1) High CH (Automatically)	f. counter	TX-RX (A/2)	CN3			PC adj. 218.8475MHz	
	2) Low CH (Automatically)						PC adj. 180.8525MHz	
8. Setting	1) Remove 8 pin cable and the coaxial cable from CN16, and CN19 on TX-RX side.							
9. TX frequency	1) Connect the frequency counter to CN19, then measure the frequency CH : 2	f. counter	TX-RX (A/2)	CN19			PC adj.	50Hz or less

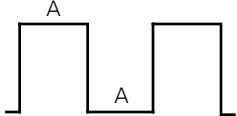
ADJUSTMENT

Item	Condition	Measurement			Adjustment			Specifications/Remarks				
		Test-equipment	Unit	Terminal	Unit	Parts	Method					
10. TX frequency (tune)	1) High CH (Automatically)	f. counter	TX-RX (A/2)	CN19			PC adj. 173.9975MHz					
	2) Low CH (Automatically)						PC adj. 136.0025MHz					
11. Setting	1) Insert 8 pin cable and the coaxial cable to CN16, and CN19 on TX-RX side.											
12. Maximum power limiting	1) Measure the RF power at TX ANT. High CH	Power meter	Rear	TX ANT	Final	VR1	Adjust the RF power to 53W.	±1W				
13. TX RF high power	1) Measure the RF power at TX ANT. Low CH 2) Center CH 3) High CH						PC adj. 50W (Shipping power)	±1W				
14. TX RF low power	1) Measure the power level at TX ANT. Low CH 2) Center CH 3) High CH						PC adj. 25W (Shipping power)	±1W				
15. BPF	1) Connect the TG to RX ANT, then connect CN1 to the spectrum analyzer input. Spectrum analyzer setting Span : 50MHz Scale : 10dB to 5dB div Tracking generator setting Output : -30dBm	Tracking generator Spectrum analyzer	Rear	RX ANT	TX-RX (A/2)	L2 L3 L5 L6 L7	Center the frequency you are using, then adjust it to look like the wave Fig. 1. (Page 46)					
16. MCF (Wide)	1) Connect the TG to CN2, then connect CN4 to the spectrum analyzer input. CH : 2 (Wide) Spectrum analyzer setting Span : 50kHz to 25kHz Scale : 10dB to 2dB div Center freq' : 44.850MHz Tracking generator setting Output : -30dBm			TX-RX (A/2)				CN1	CN2 CN4	L14 L17 L18	Adjust it to look like the wave Fig. 2. (Page 46)	
	(Narrow)							2) CH : 2 (Narrow)				L15 L16 L19
17. Discriminator	1) Connect the SSG to RX ANT. CH : 2 (Wide) SSG output : -53dBm/501μV SSG MOD : 1kHz SSG DEV : 3kHz AF : 2V/4Ω	SSG AF VM Distortion meter	Rear	RX ANT TEST/SPKR jack SPO (pin 12)		L24	Adjust the distortion to minimum.					
18. Threshold squelch (Wide)	1) Connect SSG to RX ANT. CH : 2 (Wide) SSG output : 3dB below to 12dB SINAD level SSG MOD : 1kHz SSG DEV : 3kHz AF : 2V/4Ω	SSG Audio analyzer VTVM Oscilloscope	Rear	RX ANT TEST/SPKR jack SPO (pin 12)			PC adj. Adjust to point of opening squelch					
	2) SSG : OFF						Check	Squelch must be closed.				

ADJUSTMENT

Item	Condition	Measurement			Adjustment			Specifications/Remarks		
		Test-equipment	Unit	Terminal	Unit	Parts	Method			
(Narrow)	3) CH : 2 (Narrow) SSG output : 3dB below to 12dB SINAD level SSG MOD : 1kHz SSG DEV : 1.5kHz AF : 2V/4Ω	SSG Audio analyzer VTVM Oscilloscope	Rear	RX ANT			PC adj. Adjust to point of opening squelch			
	4) SSG : OFF			TEST/SPKR jack SPO (pin 12)					Check	Squelch must be closed.
19. Tight squelch (Wide)	1) Connect SSG to RX ANT. CH : 2 (Wide) SSG output : 7dB over to 12dB SINAD level SSG MOD : 1kHz SSG DEV : 3kHz AF : 2V/4Ω									
(Narrow)	2) CH : 2 (Narrow) SSG output : 7dB over to 12dB SINAD level SSG MOD : 1kHz SSG DEV : 1.5kHz AF : 2V/4Ω					PC adj. Adjust to point of opening squelch				
20. RD outut level (Wide)	1) Connect SSG to RX ANT. CH : 2 (Wide) SSG output : -53dBm/501μV SSG MOD : 1kHz SSG DEV : 1.5kHz	SSG DVM	Rear	RX ANT			PC adj. 80mV	±5mV		
(Narrow)	2) CH : 2 (Narrow) SSG output : -53dBm/501μV SSG MOD : 1kHz SSG DEV : 1.5kHz			CONTROL I/O jack RD (pin 10) 4.7kΩ load						
21. RA outut level (Wide)	1) Connect SSG to RX ANT. CH : 2 (Wide) SSG output : -53dBm/501μV SSG MOD : 1kHz SSG DEV : 1.5kHz	SSG DVM	Rear	RX ANT			PC adj. 400mV	±20mV		
(Narrow)	2) CH : 2 (Narrow) SSG output : -53dBm/501μV SSG MOD : 1kHz SSG DEV : 1.5kHz			CONTROL I/O jack RA (pin 11) 4.7kΩ load						
22. Maximum deviation (Wide)	1) Connect AG to the MIC terminal. A-low CH (TX VCO A low) A-center CH (VCO A center) A-high CH (TX VCO A high) B-low CH (TX VCO B low) B-center CH (VCO B center) B-high CH (TX VCO B high) Deviation meter filter HPF : OFF LPF : 15kHz De-emphasis : OFF AG : 1kHz/50mV (Terminal load) Transmission	MOD ANA or Deviation meter Oscilloscope AG AF VTVM	Rear Front	TX OUT MIC			PC adj. 4.1kHz	±0.1kHz		

ADJUSTMENT

Item	Condition	Measurement			Adjustment			Specifications/Remarks
		Test-equipment	Unit	Terminal	Unit	Parts	Method	
(Narrow)	2) A-low CH (TX VCO A low) A-center CH (VCO A center) A-high CH (TX VCO A high) B-low CH (TX VCO B low) B-center CH (VCO B center) B-high CH (TX VCO B high) Transmission	MOD ANA or Deviation meter Oscilloscope AG AF VTVM	Rear Front	TX OUT MIC			PC adj. 2.05kHz	±0.1kHz
23. DQT balance (Wide)	1) Low CH (VCO-A center) High CH (VCO-B center) Deviation meter filter HPF : OFF LPF : 3kHz De-emphasis : OFF Transmission	MOD ANA or Deviation meter Oscilloscope	Rear	TX OUT			PC adj. Make the de-modulated waves into square waves.	Oscilloscope DC range flat "A" part 
(Narrow)	2) Low CH (VCO-A center) High CH (VCO-B center) Transmission							
24. QT deviation (Wide)	1) VCO-A CH (TX VCO A center) VCO-B CH (TX VCO B center) Deviation meter filter HPF : OFF LPF : 3kHz De-emphasis : OFF Detector : p-p/2 Transmission	MOD ANA or Deviation meter Oscilloscope AG AF VTVM	Rear Front	TX ANT MIC			PC adj. 0.75kHz	±0.05kHz
(Narrow)	2) VCO-A CH (TX VCO A center) VCO-B CH (TX VCO B center) Transmission						PC adj. 0.35kHz	±0.05kHz
25. DQT deviation (Wide)	1) VCO-A CH (TX VCO A center) VCO-B CH (TX VCO B center) Deviation meter filter HPF : OFF LPF : 3kHz De-emphasis : OFF Detector : Peak hold Transmission						PC adj. 0.75kHz	±0.05kHz
(Narrow)	2) VCO-A CH (TX VCO A center) VCO-B CH (TX VCO B center) Transmission						PC adj. 0.35kHz	±0.05kHz
26. CW ID deviation (Wide)	1) VCO-A CH (TX VCO A center) VCO-B CH (TX VCO B center) Deviation meter filter HPF : OFF LPF : 15kHz De-emphasis : OFF Transmission						PC adj. 2kHz	±0.1kHz
(Narrow)	2) VCO-A CH (TX VCO A center) VCO-B CH (TX VCO B center) Transmission						PC adj. 1kHz	±0.05kHz

ADJUSTMENT

Item	Condition	Measurement			Adjustment			Specifications/Remarks
		Test-equipment	Unit	Terminal	Unit	Parts	Method	
27. Test tone deviation (Wide)	1) VCO-A CH (TX VCO A center) VCO-B CH (TX VCO B center) Deviation meter filter HPF : OFF LPF : 15kHz De-emphasis : OFF Transmission	MOD ANA or Deviation meter Oscilloscope	Rear	TX ANT			PC adj. 3kHz	±0.1kHz
	(Narrow)	2) VCO-A CH (TX VCO A center) VCO-B CH (TX VCO B center) Transmission	AG AF VTVM	Front MIC			PC adj. 1.5kHz	±0.05kHz
28. TA (TX audio input) deviation (Wide)	1) Insert AG output into the control I/O TA terminal (pin 9). VCO-A CH (TX VCO A center) VCO-B CH (TX VCO B center) Deviation meter filter HPF : OFF LPF : 15kHz De-emphasis : OFF AG freq' : 1kHz (Sine wave) AG level : 280mV Transmission	MOD ANA or Deviation meter Oscilloscope	Rear	TX ANT			PC adj. 3.0kHz	±0.1kHz
	(Narrow)	2) VCO-A CH (TX VCO A center) VCO-B CH (TX VCO B center) Transmission	AG AF VTVM	CONTROL I/O jack TA (pin 9)			PC adj. 1.5kHz	±0.05kHz
29. TD deviation (Wide)	1) Insert AG output into the control I/O TD terminal (pin 8). VCO-A CH (TX VCO A center) VCO-B CH (TX VCO B center) Deviation meter filter HPF : OFF LPF : 3kHz De-emphasis : OFF AG freq' : 100Hz (Sine wave) AG level : 0.5Vp-p (177mVrms) Transmission	MOD ANA or Deviation meter Oscilloscope	Rear	TX ANT			PC adj. 0.75kHz	±0.1kHz
	(Narrow)	2) VCO-A CH (TX VCO A center) VCO-B CH (TX VCO B center) Transmission	AG AF VTVM	CONTROL I/O jack TD (pin 8)			PC adj. 0.35kHz	±0.05kHz
30. Repeat gain level (Wide)	1) VCO-A CH (TX VCO A center) VCO-B CH (TX VCO B center) SSG output : -53dBm SSG MOD : 1kHz SSG DEV : 1kHz Deviation meter filter HPF : OFF LPF : 15kHz De-emphasis : OFF Transmission	SSG MOD ANA or Deviation meter Oscilloscope	Rear	RX ANT TX ANT			PC adj. 1kHz	±0.1kHz
	(Narrow)	1) VCO-A CH (TX VCO A center) VCO-B CH (TX VCO B center) Transmission						

ADJUSTMENT

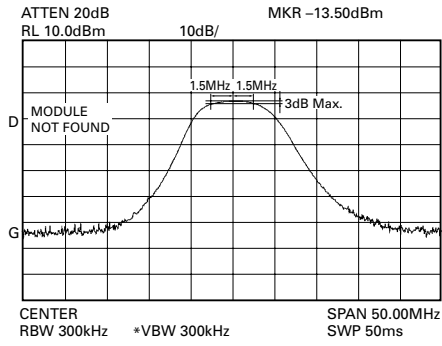


Fig. 1

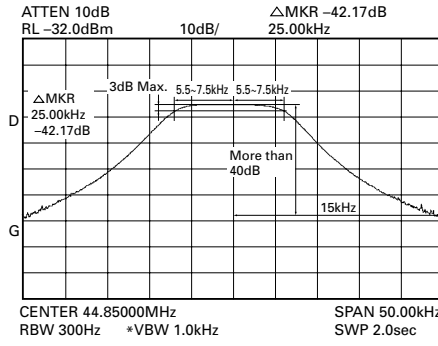


Fig. 2

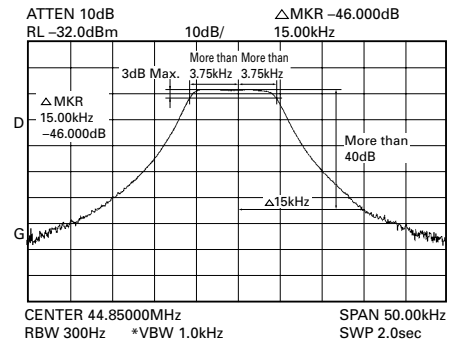
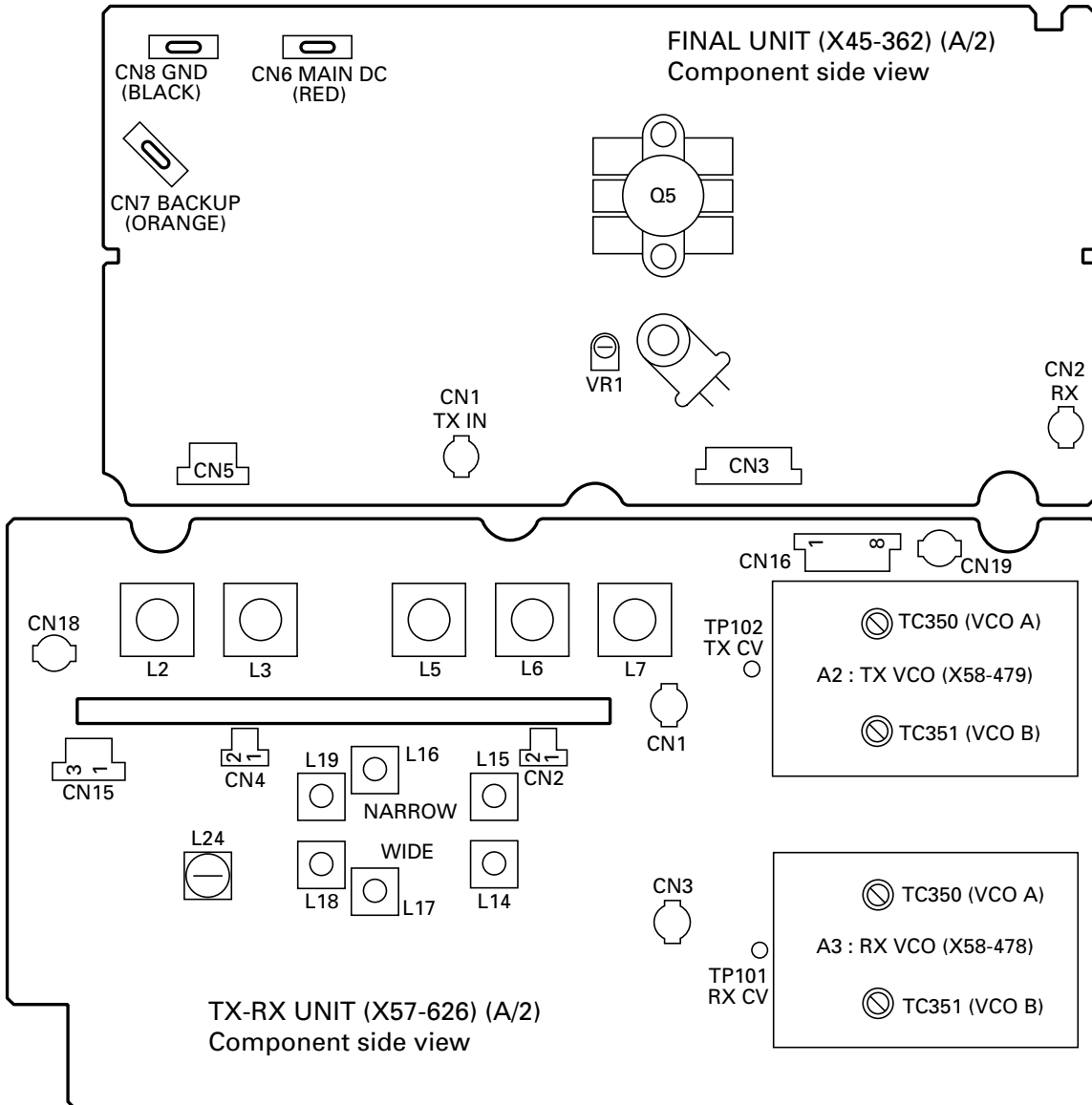


Fig. 3

Adjustment Points



TERMINAL FUNCTION

Final Unit (X45-3620-XX)

Connector No.	Terminal No.	Terminal Name	I/O	Terminal function
CN1		DRV	I	TX driver input signal (Coaxial)
CN2		–	–	Reserved
CN3	1	VTH	O	High temperature detector signal output
To X57 (A/2) TX-RX unit	2	BAT	O	Main DC/BACKUP status output
	3	PDT	O	RF power down signal output
	4	FAS	I	Fan control signal input
	5	PC	I	TX power control signal input
	6	8T	I	8V input during transmission
	7	RSW	–	Reserved
	8	E	–	Ground
CN4		B	O	Power supply output for cooling fan
		FAG	O	Fan ground
CN5	1	E	–	Ground
	2	+B	O	Power supply output
	3	+B	O	Power supply output
CN6	1	Main DC	I	Power supply input (from Main DC terminal)
CN7	1	BACKUP	I	Power supply input (from BACKUP terminal)
CN8	1	GND	–	Ground

Display Unit (X54-3330-20) (A/2)

Connector No.	Terminal No.	Terminal Name	I/O	Terminal function
CN501 To X54 (B/2) display unit	1	HOOK	I	Hook detection input/RXD input
	2	MIC	I	MIC signal input
	3	MIG	–	MIC ground
	4	PTT	I/O	PTT input/TXD output
	5	GND	–	Ground
	6	NC	–	No connection
	7	SB	O	Power supply output after power switch
	8	NC	–	No connection
	9	GND	–	Ground
	10	5M	O	Common 5V output
	11	VLI	I	Volume control input for AF signal
CN502 To X57 (B/2) TX-RX control section	1	MIG	–	MIC ground
	2	MIC	O	MIC signal output
	3	VLI	O	Volume control output for AF signal
	4	5C	I	Common 5V input
	5	K4	I	KEY input 4
	6	K5	I	KEY input 5
	7	K2	O	KEY output 2
	8	K3	O	KEY output 3
	9	K1	O	KEY output 1
	10	HOOK/RXD	O	Hook detection output/RXD output
	11	SOE	I	Output enable for shift register
12	PTT/TXD	I/O	PTT output/TXD input	

Connector No.	Terminal No.	Terminal Name	I/O	Terminal function
	13	STB1	I	Strobe data for shift register
	14	CLK	I	Clock data input
	15	DAT	I	Serial data input
	16	PSW	O	Power switch output
	17	GND	–	Ground
	18	NC	–	No connection
	19	SB	I	Power supply input after power switch
	20	SB	I	Power supply input after power switch

Display Unit (X54-3330-20) (B/2)

Connector No.	Terminal No.	Terminal Name	I/O	Terminal function
CN601 To X54 (A/2) display unit	1	VLI	O	Volume control output for AF signal
	2	5M	I	Common 5V input
	3	GND	–	Ground
	4	NC	–	No connection
	5	SB	I	Power supply input after power switch
	6	NC	–	No connection
	7	GND	–	Ground
	8	PTT	I/O	PTT output/TXD input
	9	MIG	–	MIC ground
	10	MIC	O	MIC signal output
	11	HOOK	O	Hook detection output/RXD output
J601 (Mic jack)	1	NC	–	No connection
	2	SB	O	Power supply output after power switch
	3	E	–	Ground
	4	PTT/TXD	I/O	PTT input/TXD output
	5	ME	–	MIC ground
	6	MIC	I	MIC signal input
	7	HOOK/RXD	I	Hook detection input/RXD input
	8	NC	–	No connection

TX-RX Unit (X57-6260-XX) (A/2) : TX-RX Section

Connector No.	Terminal No.	Terminal Name	I/O	Terminal function
CN1	–	–	O	Use for RX helical BPF tuning (Coaxial)
CN2	–	–	I	Use for RX MCF tuning
CN3	–	–	O	Use for RX frequency adjustment (Coaxial)
CN4	–	–	O	Use for RX MCF tuning
CN14 To X57 (B/2) TX-RX control section of TX-RX unit	1	NC	–	No connection
	2	DET	O	Detection signal output
	3	NC	–	No connection
	4	GND	–	Ground
	5	ASQ	O	Squelch signal output
	6	RSSI	O	RSSI signal output
	7	NC	–	No connection
	8	DP	I	Data input for PLL
	9	CP	I	Clock input for PLL

TERMINAL FUNCTION

Connector No.	Terminal No.	Terminal Name	I/O	Terminal function	
	10	EPR	I	Enable input for RX PLL	
	11	EPT	I	Enable input for TX PLL	
	12	LDR	O	Lock detector for RX PLL	
	13	LDT	O	Lock detector for TX PLL	
	14	DT	I	Data input	
	15	CK	I	Clock input	
	16	STB4	I	Strobe input for shift register	
	17	FWD	O	RF power down signal output	
	18	LD2	I	Latch data input for DA converter	
	19	BUP	O	Backup signal output	
	20	PSW	I	Power switch input	
	21	TEMP	O	High temperature detector signal output	
	22	SOE	I	Output enable for shift register	
	23	GND	-	Ground	
	24	MB	I	Modulation signal input for VCXO	
	25	MO	I	Modulation signal input for VCO	
	26	GND	-	Ground	
	27	GND	-	Ground	
	28	NC	-	No connection	
	29	NC	-	No connection	
	30	SB	O	Power supply output after power switch	
	31	SB	O	Power supply output after power switch	
	32	SB	O	Power supply output after power switch	
	33	SB	O	Power supply output after power switch	
	34	NC	-	No connection	
	35	8C	O	Common 8V output	
	36	8C	O	Common 8V output	
	CN15	1	E	-	Earth
		2	B	I	Power supply input
		3	B	I	Power supply input
	CN16 To X45 final unit	1	E	-	Earth
		2	RSW	-	Reserved
		3	8T	O	8V output during transmission
		4	PC	O	TX power control signal output
		5	FAS	O	Fan control signal output
		6	PDT	I	RF power down signal input
7		BAT	I	Main DC/BACKUP status input	
8		VTH	I	High temperature detector signal input	
CN18	1	RX IN	I	Receive signal input (Coaxial)	
CN19	1	DO	O	Transmission signal output (Coaxial)	

TX-RX Unit (X57-6260-XX) (B/2) : Control Section

Connector No.	Terminal No.	Terminal Name	I/O	Terminal function
CN600 To X54 (B/2) display unit	1	SB	O	Power supply output after power switch
	2	SB	O	Power supply output after power switch
	3	GND	-	Ground
	4	NC	-	No Connection
	5	DAT	O	Serial data output
	6	PSW	I	Power switch input
	7	STB1	O	Strobe data for shift register
	8	CLK	O	Clock data output
	9	SOE	O	Output enable for shift register
	10	TXD1	I/O	PTT input/TXD output
	11	K1	I	KEY input 1
	12	RXD1	I	Hook detection input/RXD input
	13	K2	I	KEY input 2
	14	K3	I	KEY input 3
	15	K4	O	KEY output 4
	16	K5	O	KEY output 5
	17	VLI	I	Volume control input for AF signal.
	18	5C	O	Common 5V output
	19	MIG	-	Mic ground
	20	MIC	I	MIC signal input
CN601 To optional board	1	TXI	I	MIC signal input
	2	TXO	O	MIC signal output
	3	RXI	I	RX audio signal input
	4	AC	O	Audio control signal output
	5	BC1	O	Scramble code output.
	6	BC2	O	Scramble code output.
	7	BC3	O	Scramble code output.
	8	BC4	O	Scramble code output.
	9	PTI	I	PTT signal input
	10	CLRC	O	Clear code for scramble
	11	RXO	O	RX audio signal output
	12	PTO	O	PTT signal output
	13	5C	O	Common 5V output
	14	GND	-	Ground
CN602 To X57 (A/2) TX-RX unit	1	8C	I	Common 8V input
	2	8C	I	Common 8V input
	3	NC	-	No connection
	4	SB	I	Power supply input after power switch
	5	SB	I	Power supply input after power switch
	6	SB	I	Power supply input after power switch
	7	SB	I	Power supply input after power switch
	8	NC	-	No connection
	9	NC	-	No connection
	10	GND	-	Ground
	11	GND	-	Ground
	12	MO	O	Modulation signal output for VCO
	13	MB	O	Modulation signal output for VCXO

TERMINAL FUNCTION

Connector No.	Terminal No.	Terminal Name	I/O	Terminal function
	14	GND	–	Ground
	15	SOE	O	Output enable for shift register
	16	TEMP	I	High temperature detector signal input
	17	PSW	O	Power switch output
	18	BUP	I	Backup signal input
	19	LD2	O	Latch data output for DA converter
	20	FWD	I	RF power down signal input
	21	STB4	O	Strobe output for shift register
	22	CK	O	Clock output
	23	DT	O	Data output
	24	LDT	I	Lock detector for TX PLL
	25	LDR	I	Lock detector for RX PLL
	26	EPT	O	Enable output for TX PLL
	27	EPR	O	Enable output for RX PLL
	28	CP	O	Clock output for PLL
	29	DP	O	Data output for PLL
	30	NC	–	No connection
	31	RSSI	I	RSSI signal input
	32	ASQ	I	Squelch signal input
	33	GND	–	Ground
	34	NC	–	No connection
	35	DET	I	Detection signal input
	36	NC	–	No connection
CN603	1	SB	O	Power supply output after power switch
To ACC 15 pin connector	2	SB	O	Power supply output after power switch
	3	GND	–	Ground
	4	GND	–	Ground
CN604	1	AO5	O	Auxiliary output 5 (FPU selectable)
To ACC 15 pin connector	2	AO4	O	Auxiliary output 4 (FPU selectable)
	3	AO3	O	Auxiliary output 3 (FPU selectable)
	4	SPO	O	External speaker output
	5	SPO	O	External speaker output
	6	AO2	O	Auxiliary output 2 (FPU selectable)
	7	AO1	O	Auxiliary output 1 (FPU selectable)
	8	SPI	I	Internal speaker input
	9	RSSI	O	RSSI signal output
	10	RD	O	RX data output
	11	SPG	–	External speaker ground
	12	SPG	–	External speaker ground
	CN605	1	SP	O
	2	SPG	–	Internal speaker ground
CN606	1	NC	–	No connection
To ACC 25 pin D-sub connector	2	NC	–	No connection
	3	SPM	I	Speaker mute signal input
	4	IO6	I/O	Programable I/O 6
	5	RXG	–	RX signal ground
	6	IO5	I/O	Programable I/O 5
	7	RA	O	RX audio output (voice)
	8	IO4	I/O	Programable I/O 4

Connector No.	Terminal No.	Terminal Name	I/O	Terminal function
	9	RD	O	RX data output (voice & data)
	10	IO3	I/O	Programable I/O 3
	11	TA	I	TX audio input (voice)
	12	IO2	I/O	Programable I/O 2
	13	TD	I	TX data input (data or signaling)
	14	IO1	I/O	Programable I/O 1
	15	DG	–	Control line ground
	16	TXG	–	TX signal ground
	17	AI3	I	Auxiliary input 3 (FPU selectable)
	18	NC	–	No connection
	19	AI2	I	Auxiliary input 2 (FPU selectable)
	20	SC	O	Squelch control output
	21	AI1	I	Auxiliary input 1 (FPU selectable)
	22	EPTT	I	External press-to-talk switch input
	23	TXD2	O	RS-232C output signal (for FPU)
	24	EMON	I	External monitor switch input
	25	RXD2	I	RS-232C input signal (for FPU)
	26	NC	–	No connection
	27	NC	–	No connection
	28	NC	–	No connection
	29	NC	–	No connection
	30	NC	–	No connection

VCO (RX) Unit (X58-4780-10)

Connector No.	Terminal No.	Terminal Name	I/O	Terminal function
CN300	1	FIN	I	Prescaler RF signal input
	2	5C	I	Common 5V input
	3	LDR	O	Lock detector for RX PLL
	4	EPR	I	Enable input for RX PLL
	5	DP	I	Data input for PLL
	6	CP	I	Clock input for PLL
	7	REF	I	Reference frequency signal input
CN350	1	GND	–	Ground
	2	SRR	I	Switching signal input for RX VCO
	3	8CL	I	8V input through the ripple filter
	4	CV	I	RX PLL lock voltage
	5	9CL	I	9V input through the ripple filter
	6	NC	–	No connection
CN351	1	VO	O	RX VCO output
	2	GND	–	Ground

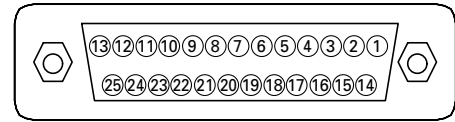
VCO (TX) Unit (X58-4790-10)

Connector No.	Terminal No.	Terminal Name	I/O	Terminal function
CN300	1	FIN	I	Prescaler RF signal input
	2	5C	I	Common 5V input
	3	LDT	O	Lock detector for TX PLL
	4	EPT	I	Enable input for TX PLL
	5	DP	I	Data input for PLL

TERMINAL FUNCTION

Connector No.	Terminal No.	Terminal Name	I/O	Terminal function
CN350	6	CP	I	Clock input for PLL
	7	REF	I	Reference frequency signal input
	1	GND	-	Ground
	2	STT	I	Switching signal input for TX VCO
	3	8CL	I	8V input through the ripple filter
	4	CV	I	RX PLL lock voltage
CN351	5	9CL	I	9V input through the ripple filter
	6	MO	I	Modulation signal input
CN351	1	VO	O	TX VCO output
	2	GND	-	Ground

Connector No.	Terminal No.	Terminal Name	I/O	Terminal function
	15	EMON	I	External monitor switch input "L": Monitor on, "H": Monitor off
	16	EPTT	I	External press-to-talk switch input "L": PTT on, "H": PTT off
	17	SC	O	Squelch control output "L": Busy, "H": Not busy
	18	NC	-	No connection
	19	TXG	-	TX signal ground (for TA,TD ground only)
	20	AIO1	I/O	Programmable function input/output 1
	21	AIO2	I/O	Programmable function input/output 2
	22	AIO3	I/O	Programmable function input/output 3
	23	AIO4	I/O	Programmable function input/output 4
	24	AIO5	I/O	Programmable function input/output 5
	25	AIO6	I/O	Programmable function input/output 6

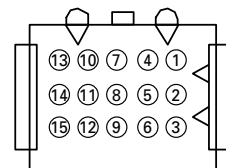


ACC 25 pin D-sub Connector

Connector No.	Terminal No.	Terminal Name	I/O	Terminal function
	1	NC	-	No connection
	2	RXD2	I	Serial data to radio
	3	TXD2	O	Serial data from radio
	4	AI1	I	Programmable function input 1
	5	AI2	I	Programmable function input 2
	6	AI3	I	Programmable function input 3
	7	DG	-	Control line ground
	8	TD	I	TX data input (data or signalling) Input impedance: 600Ω Coupling: AC coupling Deviation: 0.75kHz (wide)/ 0.35kHz (Narrow) (100Hz 0.5Vp-p input)
	9	TA	I	TX audio input (voice) Input impedance: 600Ω Coupling: AC coupling Deviation: 60% deviation (1kHz 280mVrms ±25mV input)
	10	RD	O	RX data output (voice & data) Output impedance: 1kΩ or less Coupling: AC coupling Frequency response: ±2.5dB at 10~3000Hz Output level: 70~90mVrms (standard modulation)
	11	RA	O	RX audio output (voice) Output impedance: 1kΩ or less Coupling: AC coupling Output level: 360~440mVrms (standard modulation)
	12	RXG	-	RX signal ground (for RA, RD ground only)
	13	SPM	I	Speaker mute signal input "L": Mute on
	14	NC	-	No connection

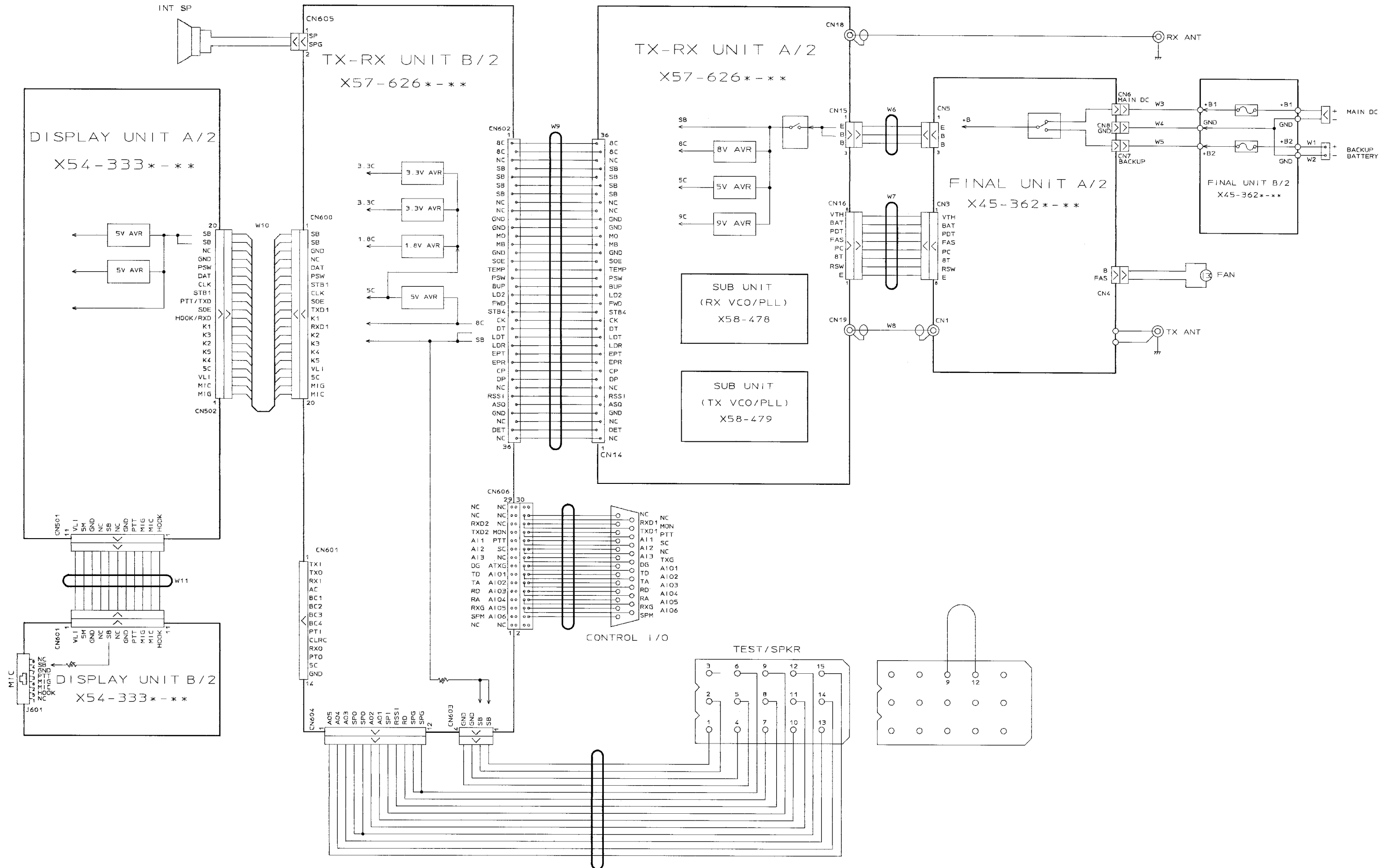
ACC 15 pin Connector

Connector No.	Terminal No.	Terminal Name	I/O	Terminal function
	1	SB	O	Power supply output after power switch; 1A maximum
	2	SB	O	Power supply output after power switch; 1A maximum
	3	NC	-	No connection
	4	GND	-	Ground
	5	GND	-	Ground
	6	SPG	-	Speaker ground
	7	RD	O	RX data output
	8	RSSI	O	RSSI output
	9	SPI	I	Internal speaker input
	10	AO1	O	Auxiliary output 1
	11	AO2	O	Auxiliary output 2
	12	SPO	O	External speaker output
	13	AO3	O	Auxiliary output 3
	14	AO4	O	Auxiliary output 4
	15	AO5	O	Auxiliary output 5

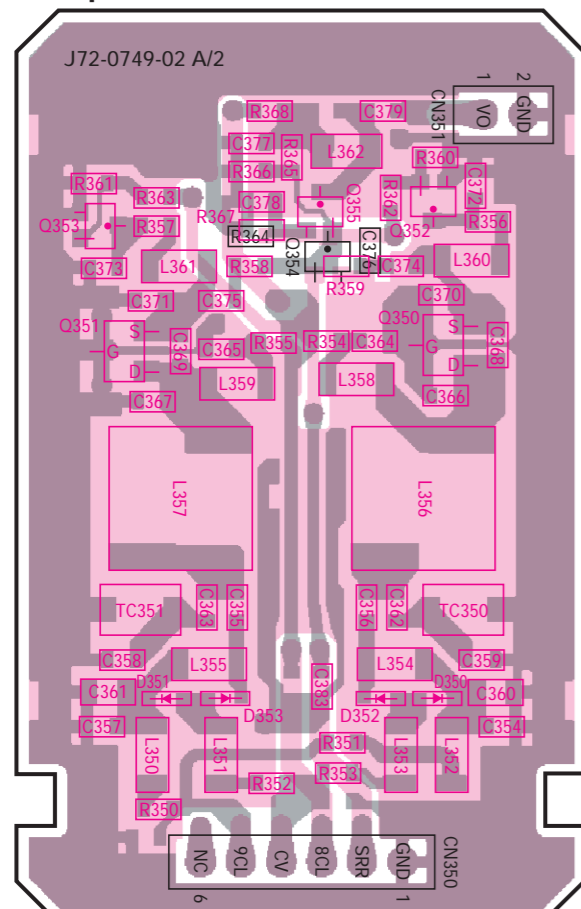


TKR-750 TKR-750

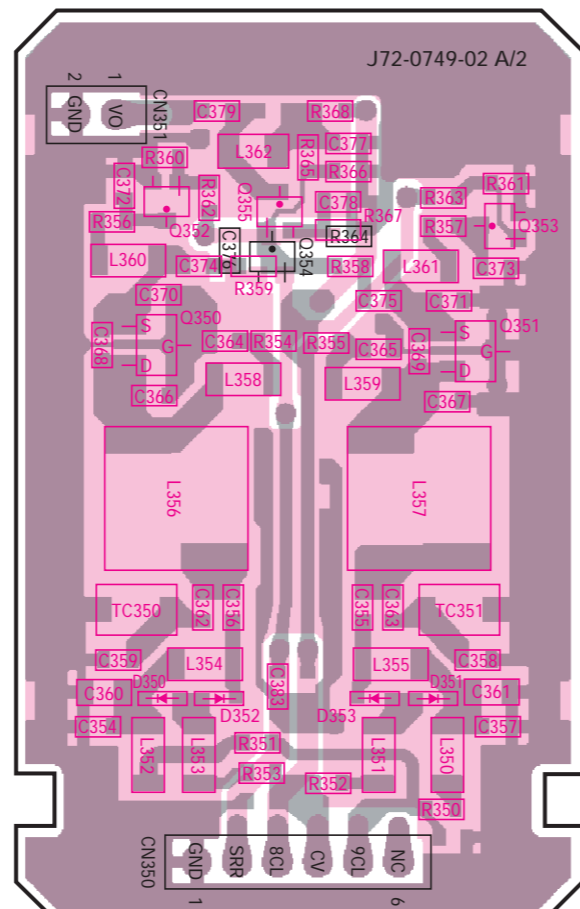
WIRING



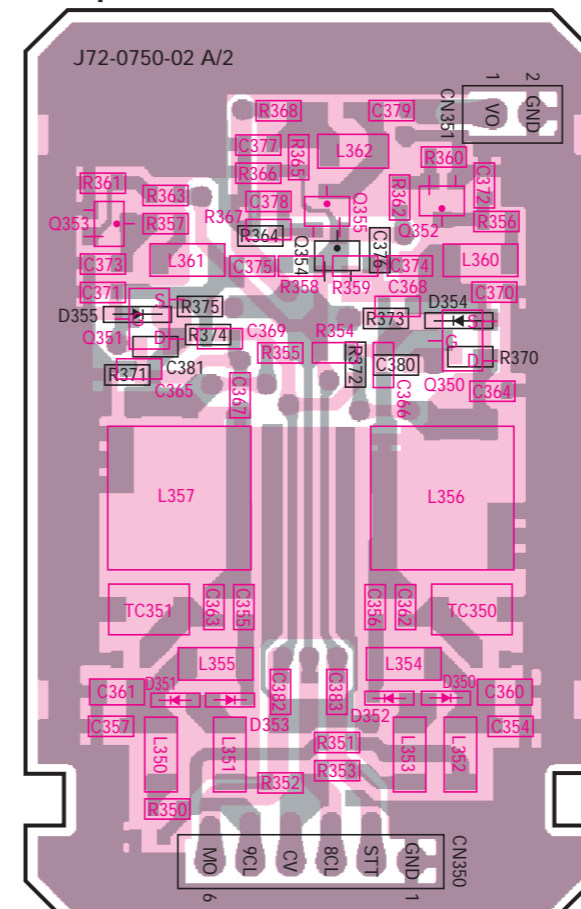
RX PLL/VCO (X58-4780-10)
Component side view



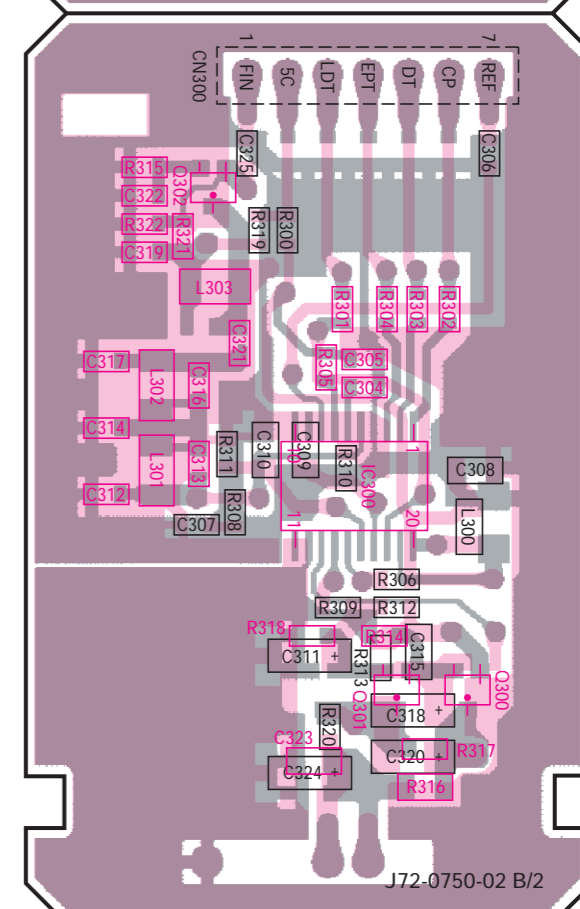
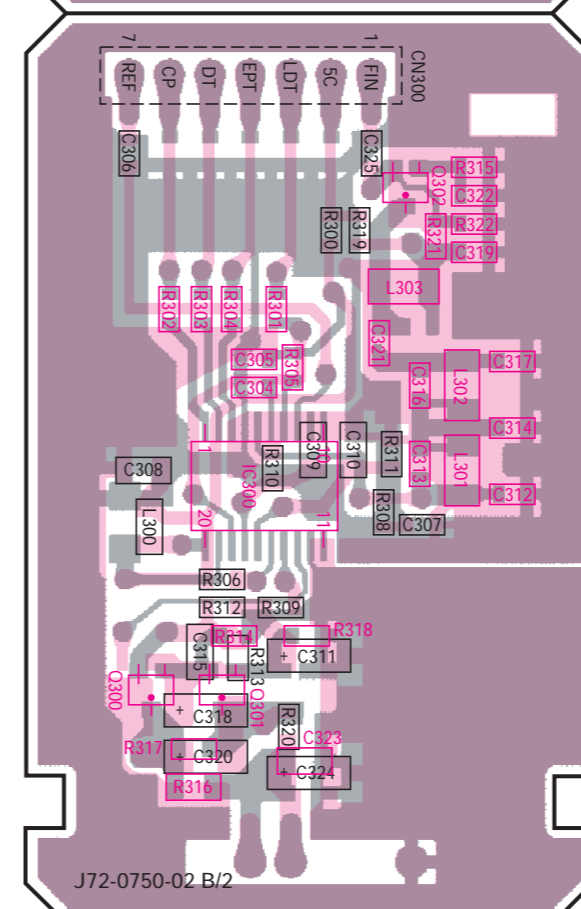
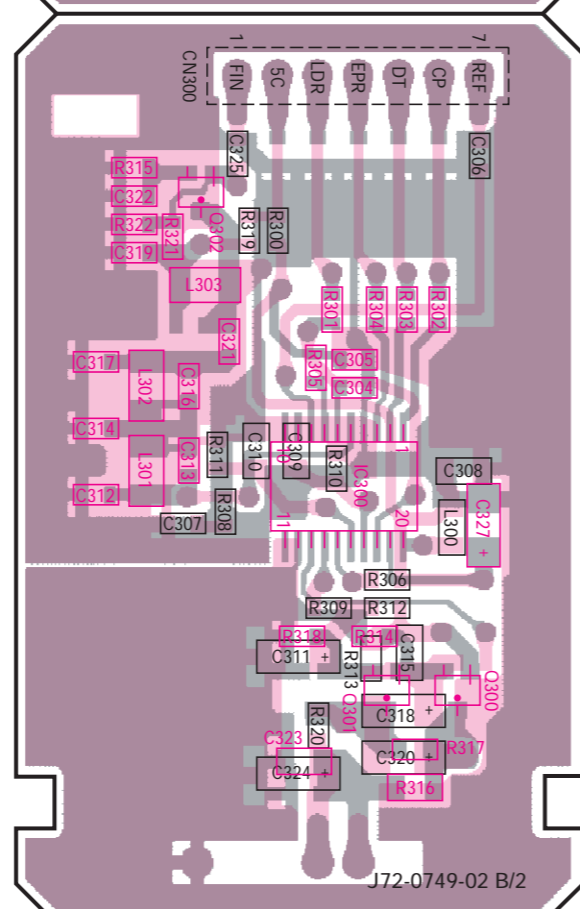
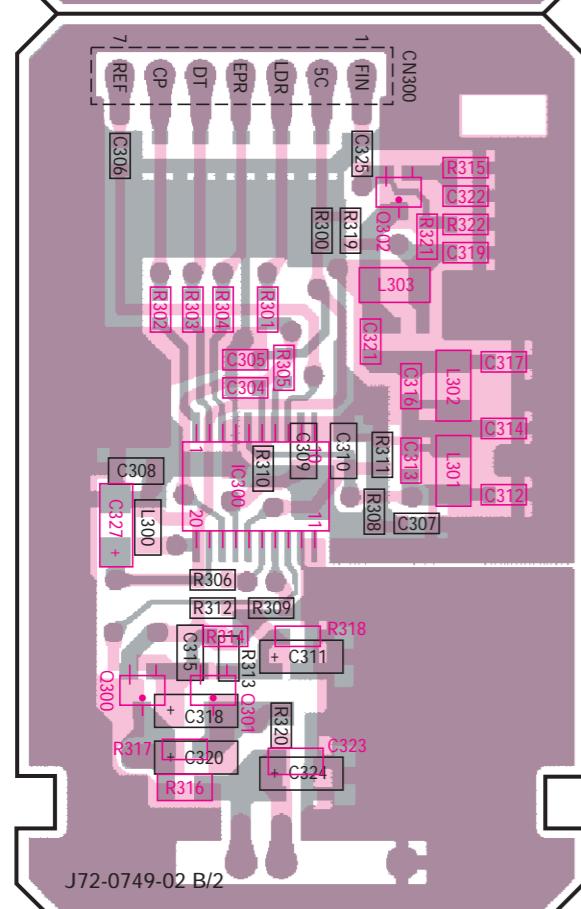
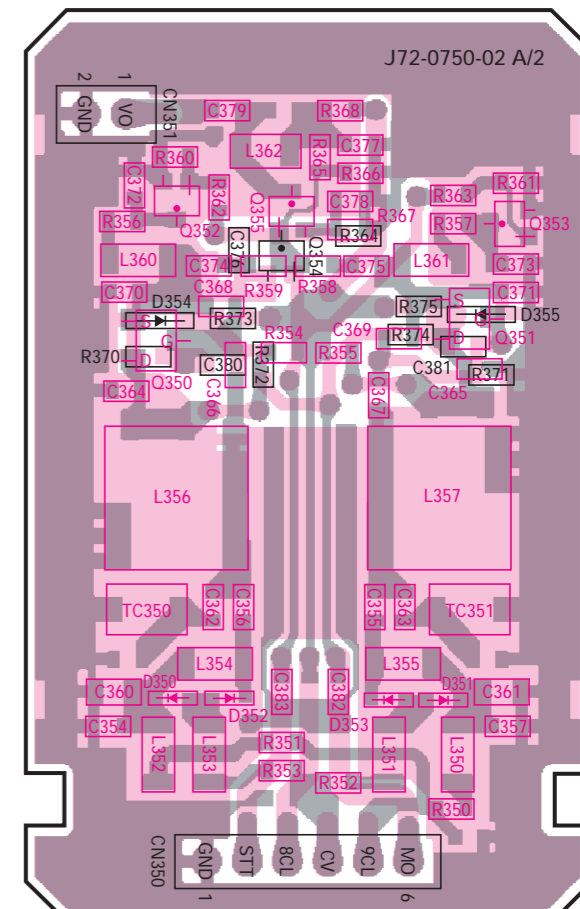
RX PLL/VCO (X58-4780-10)
Foil side view



TX PLL/VCO (X58-4790-10)
Component side view



TX PLL/VCO (X58-4790-10)
Foil side view



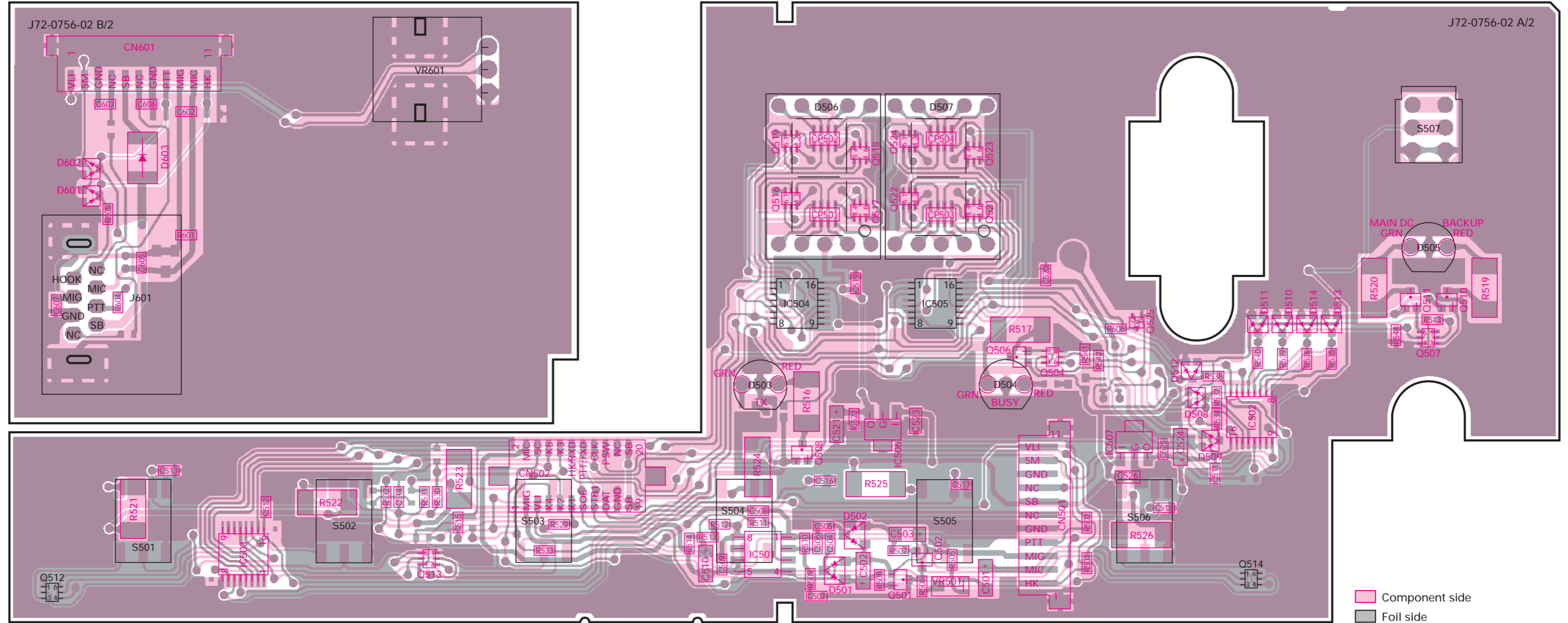
Component side Foil side

Component side Foil side

PC BOARD VIEWS TKR-750

TKR-750 PC BOARD VIEWS

DISPLAY UNIT (X54-3330-20) Component side view

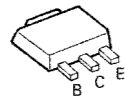


DTA144EUA
DTC363EK
DTD114EK
DTD123EK
2SA1586
2SC3120
2SC3356

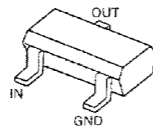
2SC4116
2SC4215
2SC4617



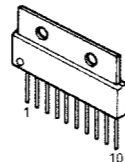
2SB1132
2SC3357



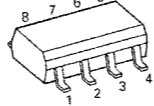
DTA114EUA
DTC114EUA
DTC144EUA



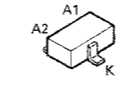
LA4422



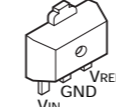
NJM2904E
NJM4558E



DAN235K



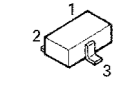
TA78L05F



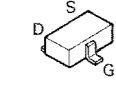
DA204U
HSM88AS
1SS226



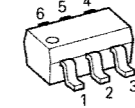
MA742



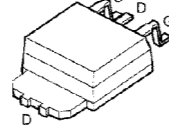
2SK508NV



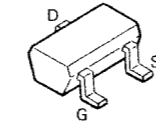
UPA672T



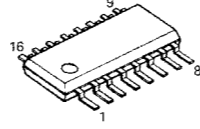
2SJ506



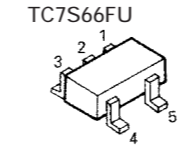
2SK1824



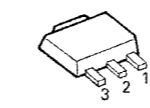
BU4094BCF



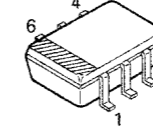
TC7S00F
TC7S04FU
TC7S66FU



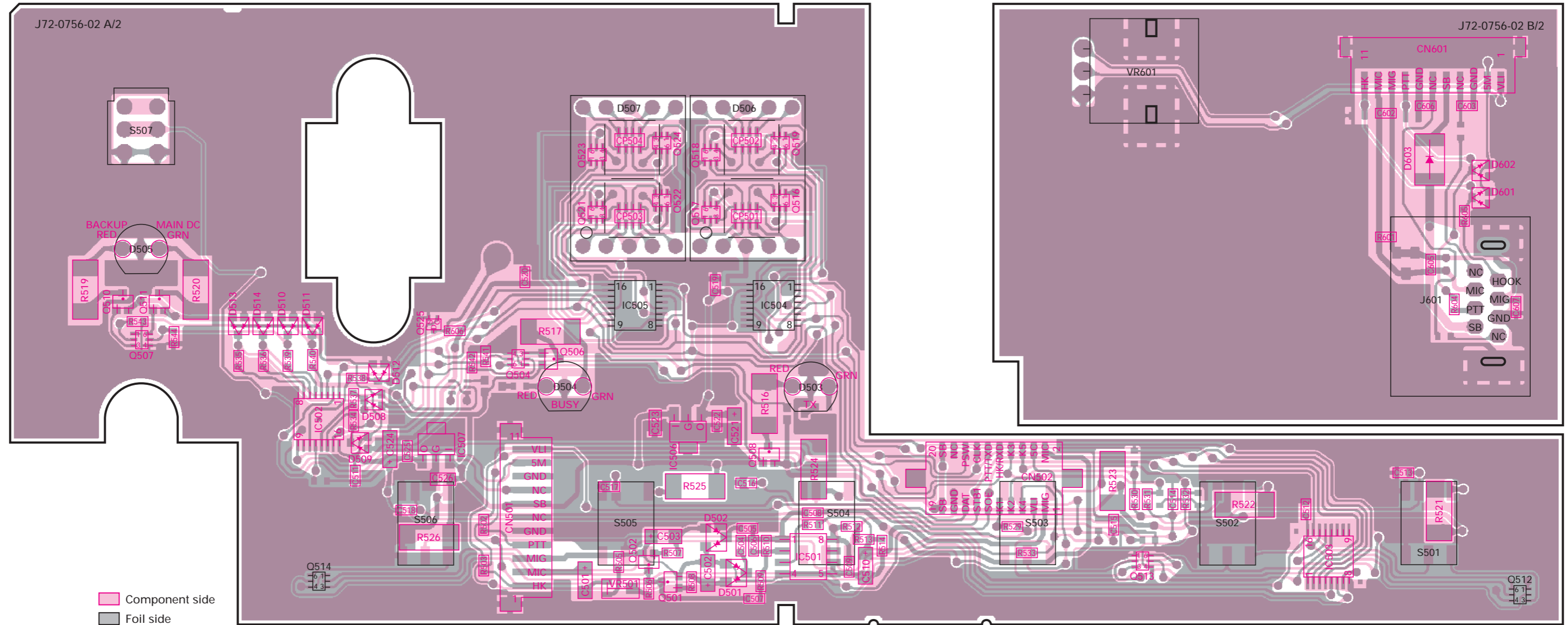
AN8009M



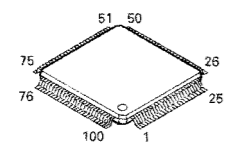
TK11050M



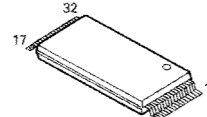
DISPLAY UNIT (X54-3330-20) Foil side view



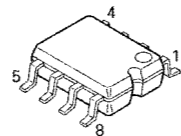
30622M4-113GP



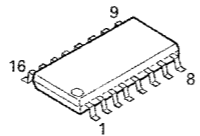
AT29C020-90TI



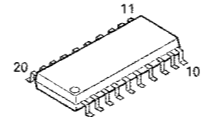
AT2408N10SI2.5



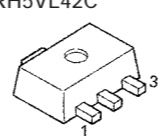
BU4053BCF



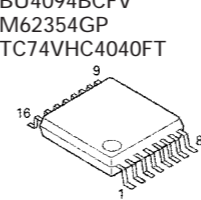
SA7025DK



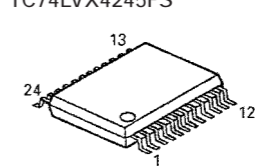
NJM78L05UA
RH5VL42C



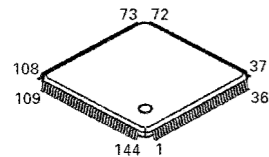
AK4550VT
BU4094BCFV
M62354GP
TC74VHC4040FT



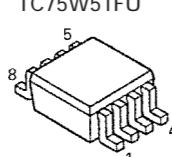
M62364FP
TC74LVX4245FS



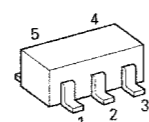
320VC5402PGE



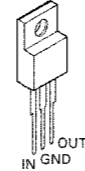
TA75W01FU
TC75W51FU



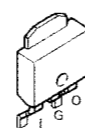
TA75S01F



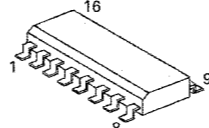
NJM7808FA



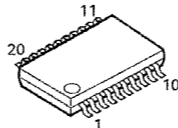
TA7808F



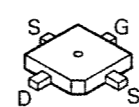
ADM202EARN



TK14489V

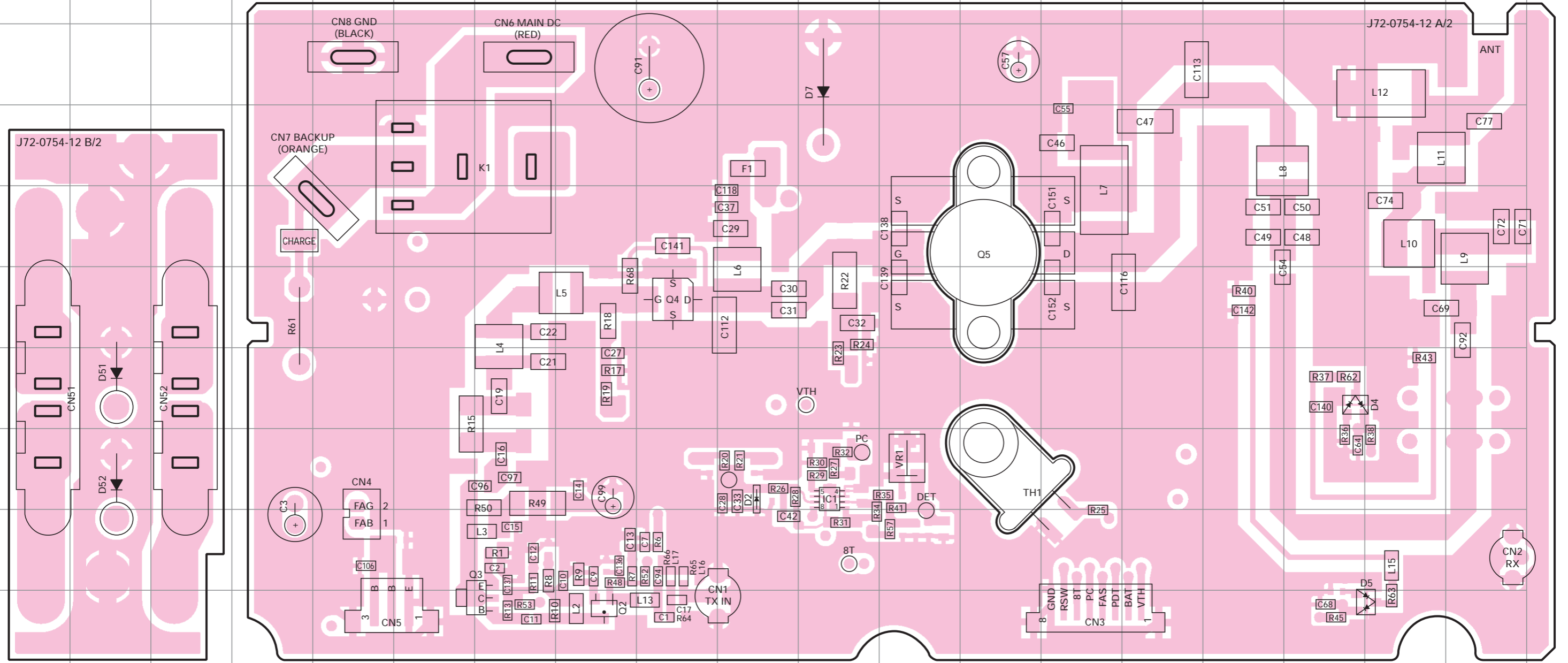


2SK3075

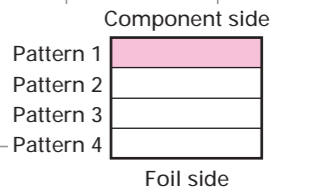


TKR-750 PC BOARD VIEWS

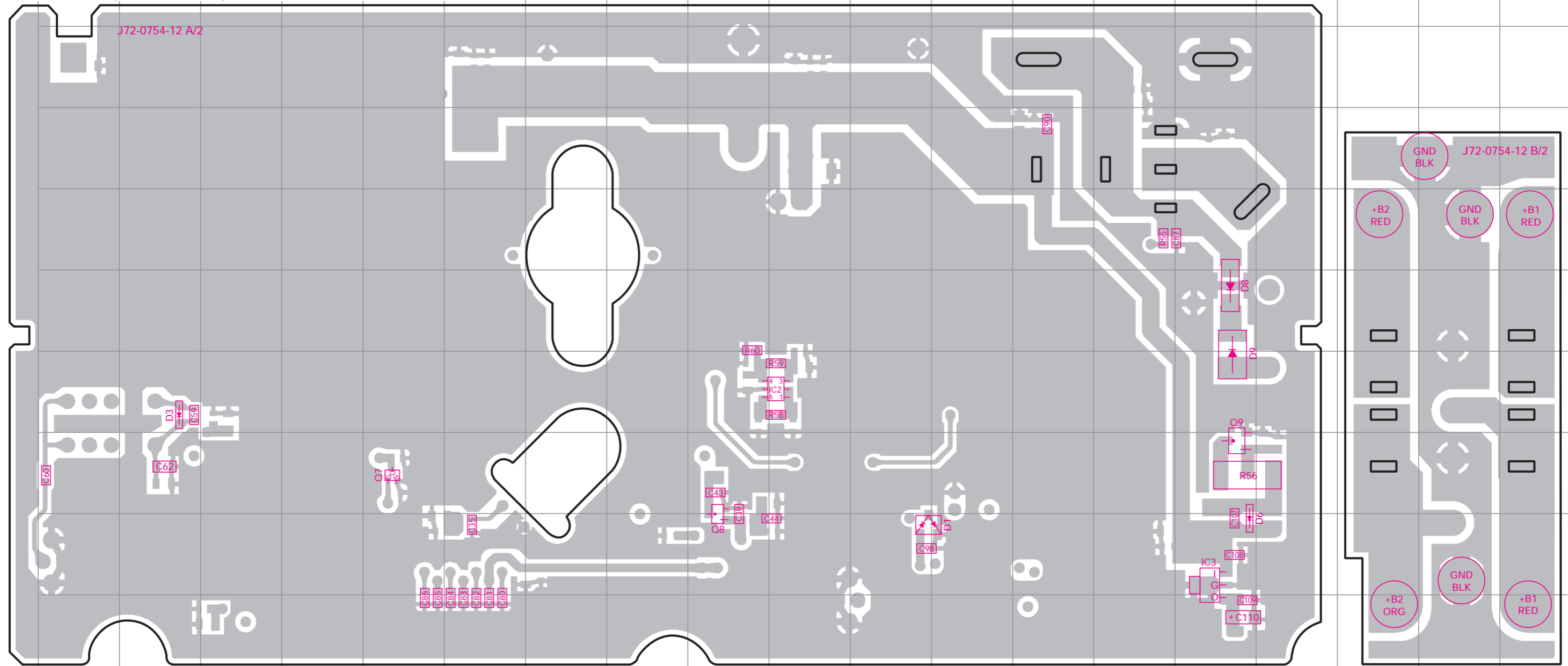
FINAL UNIT (X45-3620-XX) -10 : K,E -11 : K2 Component side view



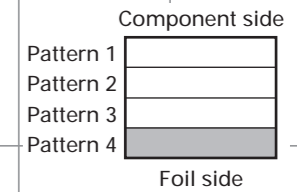
Ref No.	Address	Ref No.	Address	Ref No.	Address
IC1	8K	Q5	5M	D7	3K
Q2	10H	D2	8J	D51	7B
Q3	10G	D4	7Q	D52	8B
Q4	6I	D5	10R		



FINAL UNIT (X45-3620-XX) -10 : K,E -11 : K2 Foil side view

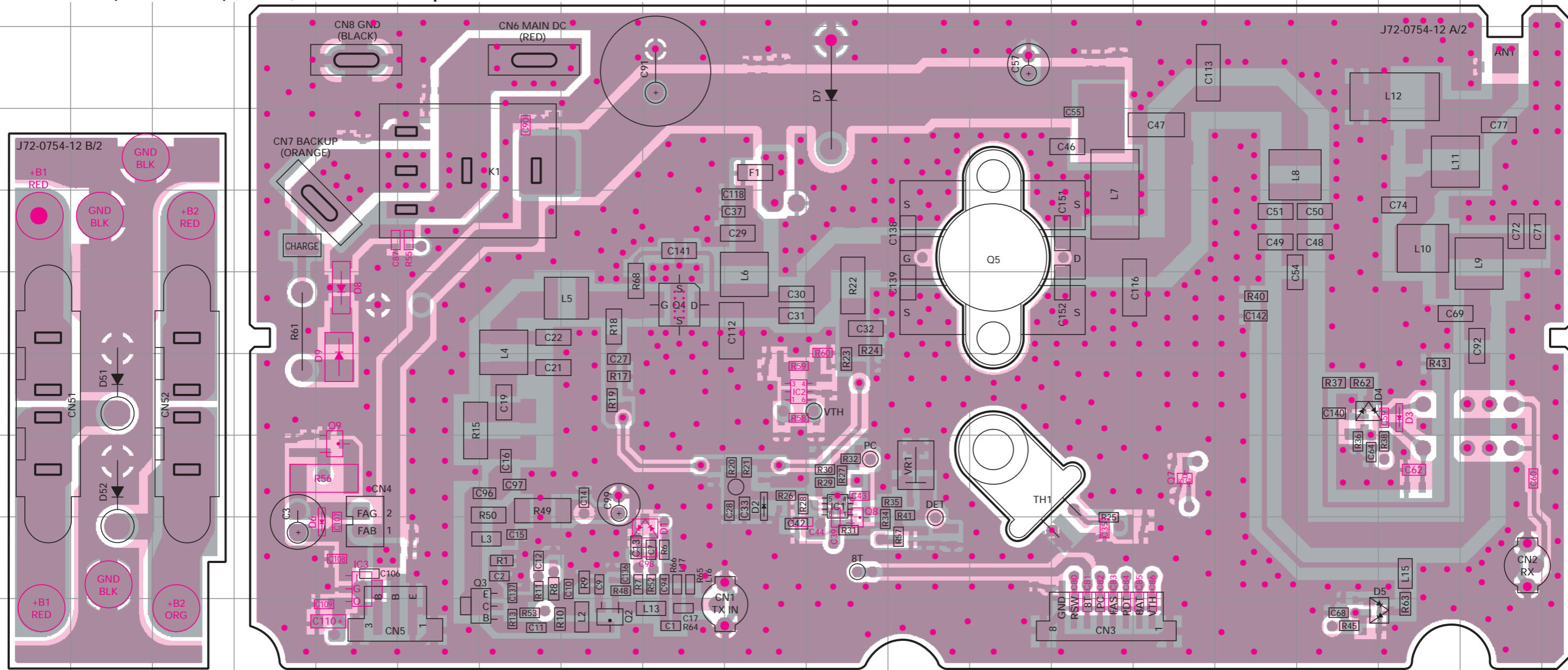


Ref No.	Address	Ref No.	Address	Ref No.	Address
IC2	7J	Q9	8O	D8	6O
IC3	9O	D1	9K	D9	7O
Q7	8E	D3	7B		
Q8	9I	D6	9O		

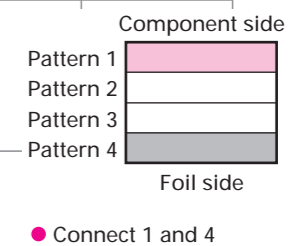


TKR-750 PC BOARD VIEWS

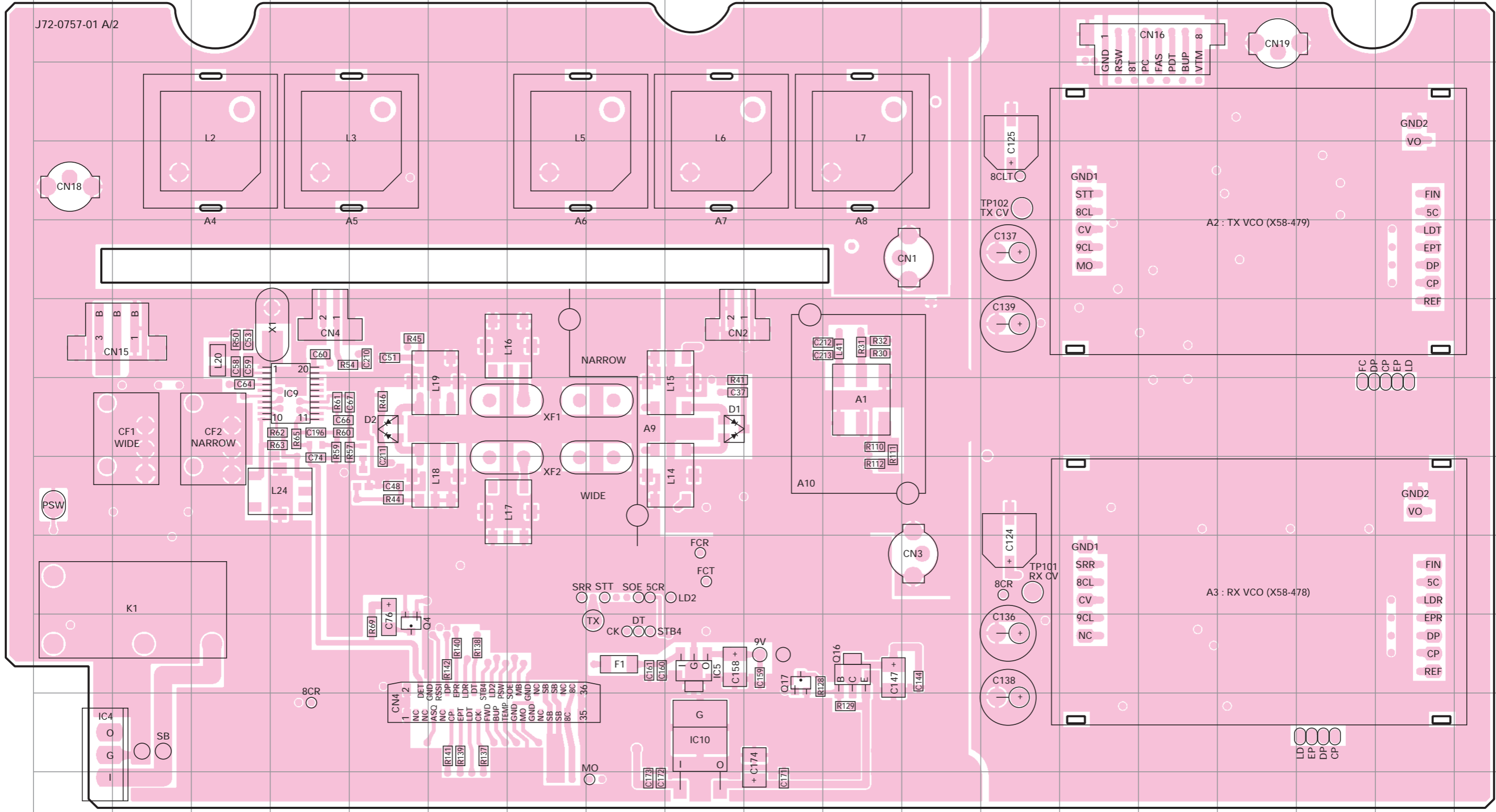
FINAL UNIT (X45-3620-XX) -10 : K,E -11 : K2 Component side view + Foil side



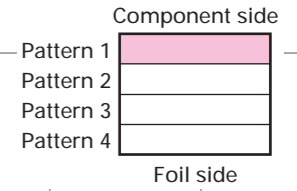
Ref No.	Address	Ref No.	Address	Ref No.	Address
IC1	8K	Q7	8O	D5	10R
IC2	7J	Q8	8K	D6	9E
IC3	9E	Q9	8E	D7	3K
Q2	10H	D1	9I	D8	6E
Q3	10G	D2	8J	D9	7E
Q4	6I	D3	7R	D51	7B
Q5	5M	D4	7Q	D52	8B



TX-RX UNIT (X57-6260-XX) (A/2) -10 : K,E -11 : K2 Component side view

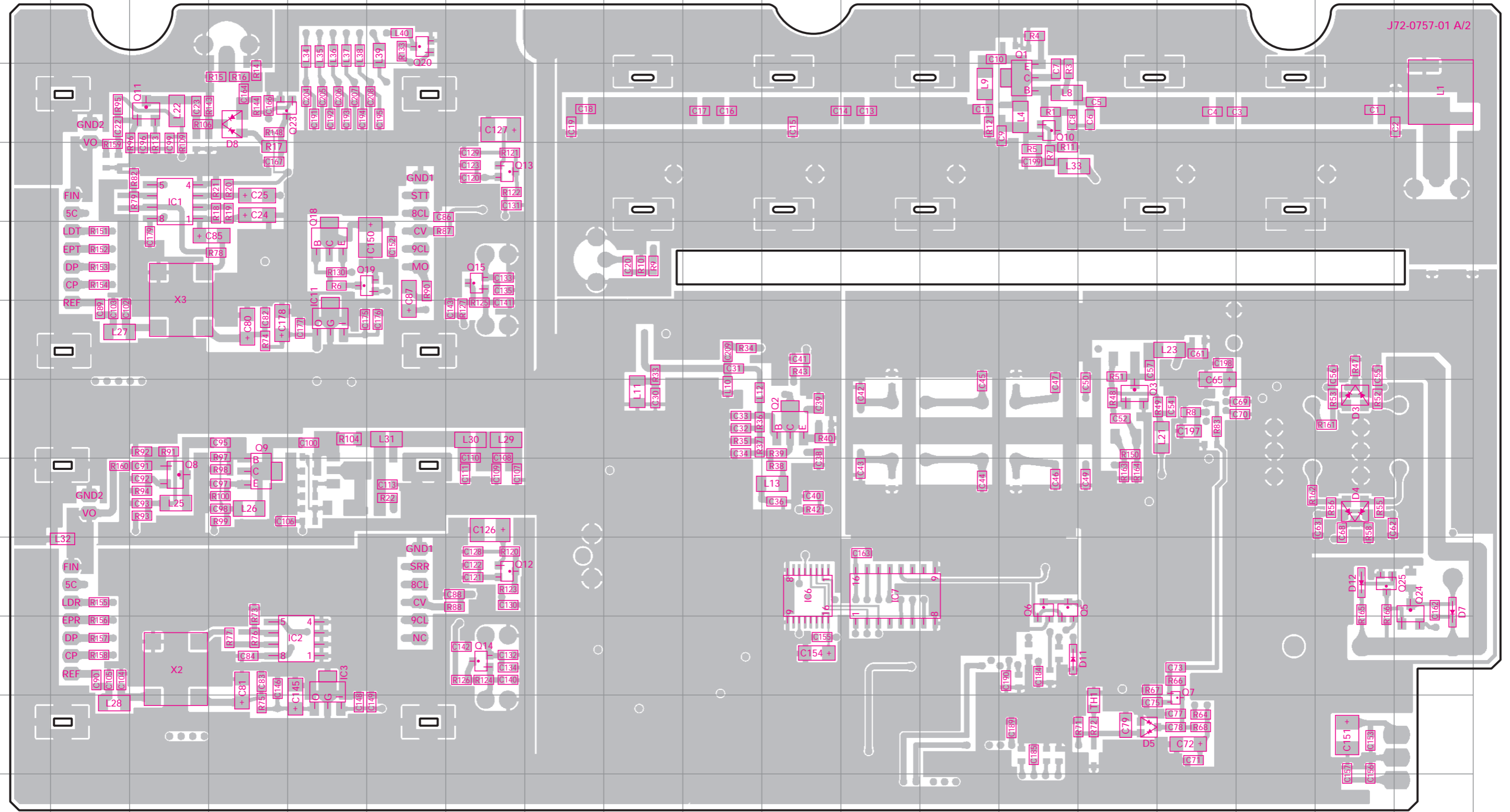


Ref No.	Address	Ref No.	Address	Ref No.	Address
IC4	11A	IC10	11I	Q17	10J
IC5	10I	Q4	10E	D1	7I
IC9	7D	Q16	10K	D2	7E



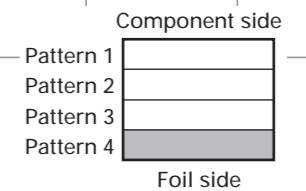
TKR-750 PC BOARD VIEW

TX-RX UNIT (X57-6260-XX) (A/2) -10 : K,E -11 : K2 Foil side view



J72-0757-01 A/2

Ref No.	Address	Ref No.	Address	Ref No.	Address	Ref No.	Address	Ref No.	Address	Ref No.	Address	Ref No.	Address
IC1	4C	IC11	6E	Q6	9N	Q11	3C	Q18	5E	Q25	9R	D8	3D
IC2	10E	Q1	3N	Q7	11P	Q12	3G	Q19	5F	D3	7R	D11	10N
IC3	10E	Q2	7K	Q8	8C	Q13	4G	Q20	2F	D4	8R	D12	9R
IC6	9K	Q3	7O	Q9	8D	Q14	10G	Q23	3D	D5	11O		
IC7	9L	Q5	9N	Q10	3N	Q15	5G	Q24	9S	D7	9S		

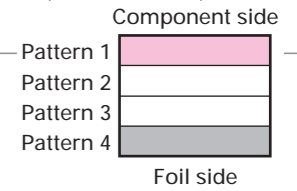


PC BOARD VIEW TKR-750

TX-RX UNIT (X57-6260-XX) (A/2) -10 : K,E -11 : K2 Component side view + Foil side

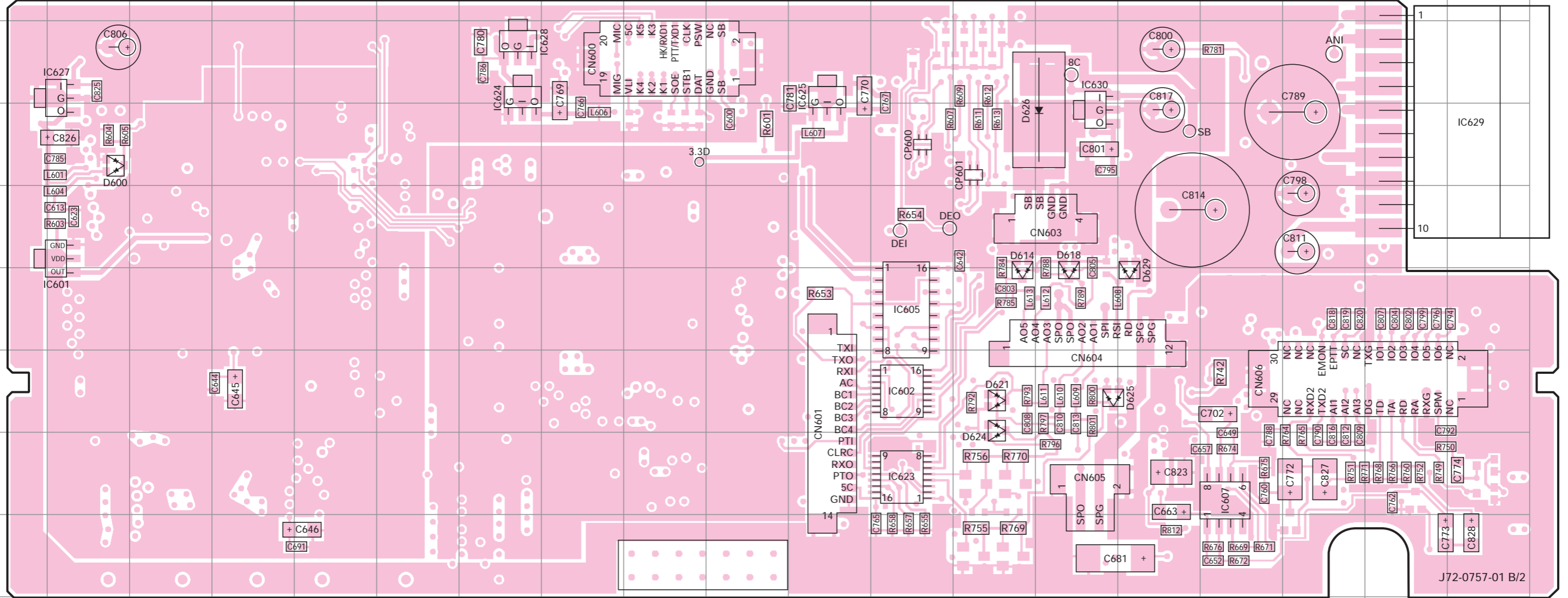


Ref No.	Address	Ref No.	Address	Ref No.	Address	Ref No.	Address	Ref No.	Address	Ref No.	Address	Ref No.	Address
IC1	4Q	IC7	9H	Q3	7E	Q9	8P	Q15	5M	Q23	3P	D4	8B
IC2	10O	IC9	7D	Q4	10E	Q10	3F	Q16	10K	Q24	9A	D5	11E
IC3	10O	IC10	11I	Q5	9F	Q11	3Q	Q17	10J	Q25	9B	D7	9A
IC4	11A	IC11	6O	Q6	9F	Q12	9M	Q18	5O	D1	7I	D8	3P
IC5	10I	Q1	3F	Q7	11D	Q13	4M	Q19	5N	D2	7E	D11	10F
IC6	9I	Q2	7I	Q8	8Q	Q14	10M	Q20	2N	D3	7B	D12	9B

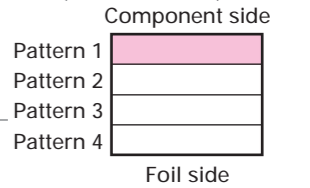


TKR-750 PC BOARD VIEW

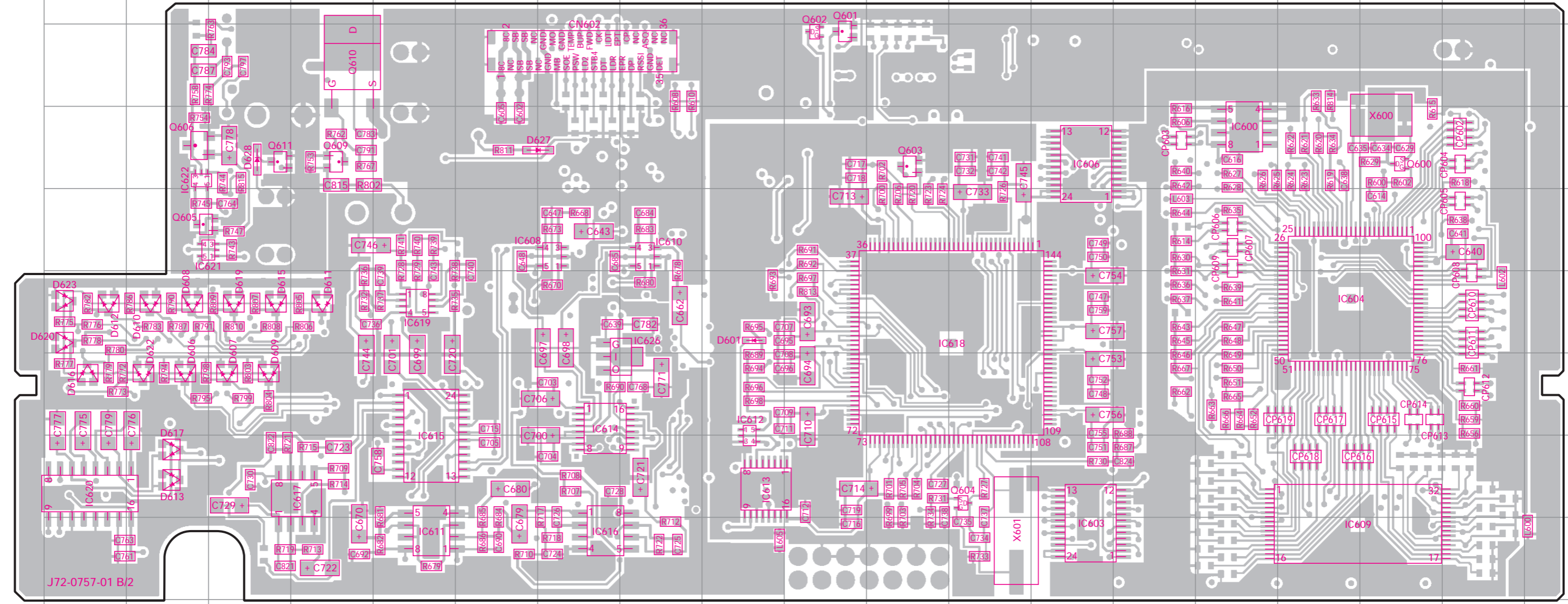
TX-RX UNIT (X57-6260-XX) (B/2) -10 : K,E -11 : K2 Component side view



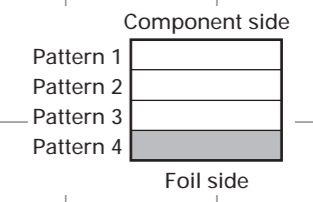
Ref No.	Address	Ref No.	Address	Ref No.	Address	Ref No.	Address
IC601	5B	IC624	3G	IC630	4N	D624	7M
IC602	7L	IC625	3K	D600	4B	D625	7N
IC605	6L	IC627	3B	D614	6M	D626	4N
IC607	8P	IC628	3G	D618	6N	D629	6O
IC623	8L	IC629	4S	D621	7M		



TX-RX UNIT (X57-6260-XX) (B/2) -10 : K,E -11 : K2 Foil side view

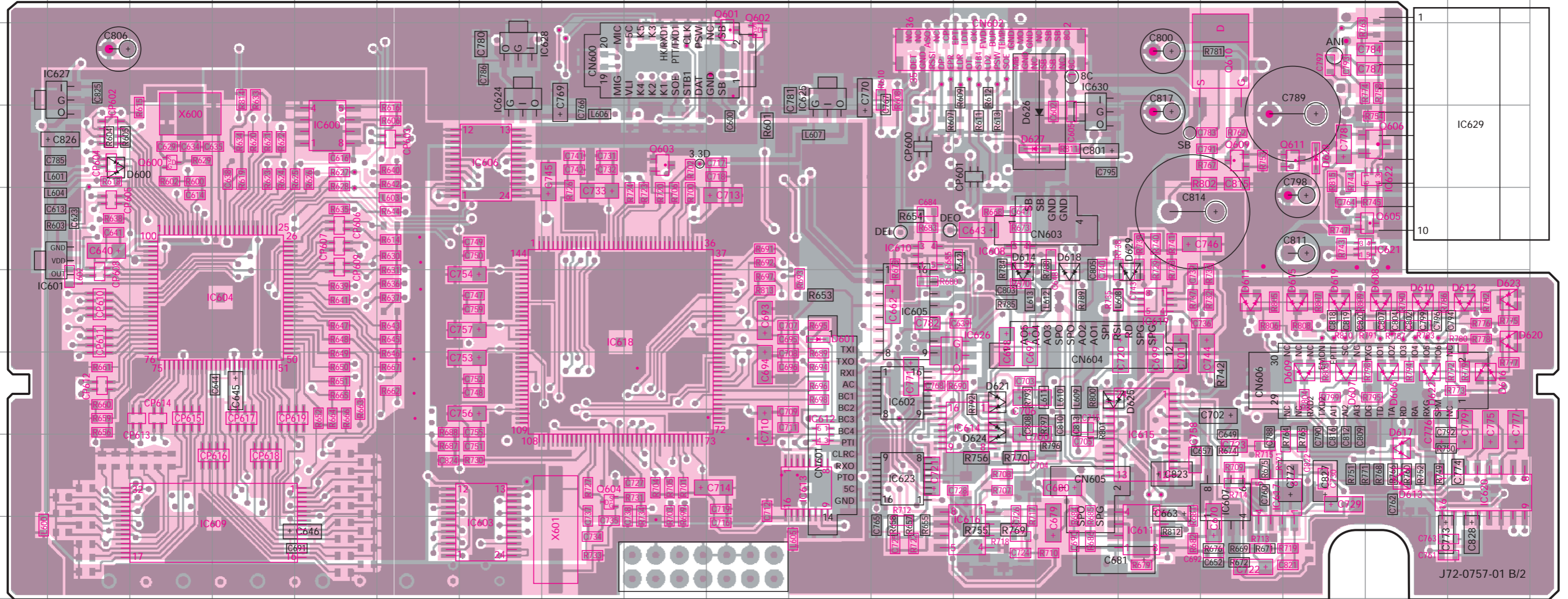


Ref No.	Address	Ref No.	Address	Ref No.	Address	Ref No.	Address	Ref No.	Address	Ref No.	Address	Ref No.	Address
IC600	4O	IC611	9E	IC618	6L	Q601	3J	Q610	3D	D610	6B	D619	6C
IC603	9M	IC612	7I	IC619	6E	Q602	3J	Q611	4C	D611	6D	D620	6A
IC604	6P	IC613	8I	IC620	8A	Q603	4K	D601	6I	D612	6A	D622	7B
IC606	4M	IC614	7G	IC621	5B	Q604	8L	D606	7B	D613	8B	D623	6A
IC608	5G	IC615	7E	IC622	4B	Q605	5B	D607	7C	D615	6C	D627	4G
IC609	9P	IC616	9G	IC626	7H	Q606	4B	D608	6B	D616	7A	D628	4C
IC610	5H	IC617	8D	Q600	4Q	Q609	4D	D609	7C	D617	8B		




TKR-750 PC BOARD VIEW


TX-RX UNIT (X57-6260-XX) (B/2) -10 : K,E -11 : K2 Component side view + Foil side




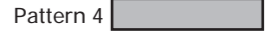
Ref No.	Address	Ref No.	Address	Ref No.	Address	Ref No.	Address	Ref No.	Address	Ref No.	Address	Ref No.	Address	Ref No.	Address	Ref No.	Address
IC600	4E	IC607	8P	IC614	7M	IC621	5R	IC628	3G	Q604	8H	D601	6K	D612	6S	D619	6Q
IC601	5B	IC608	5M	IC615	7O	IC622	4R	IC629	4S	Q605	5R	D606	7R	D613	8R	D620	6S
IC602	7L	IC609	9D	IC616	9M	IC623	8L	IC630	4N	Q606	4R	D607	7Q	D614	6M	D621	7M
IC603	9G	IC610	5L	IC617	8P	IC624	3G	Q600	4C	Q609	4P	D608	6R	D615	6Q	D622	7R
IC604	6D	IC611	9O	IC618	6H	IC625	3K	Q601	3J	Q610	3P	D609	7Q	D616	7S	D623	6S
IC605	6L	IC612	7K	IC619	6O	IC626	6M	Q602	3J	Q611	4Q	D610	6R	D617	8R	D624	7M
IC606	4G	IC613	8K	IC620	8S	IC627	3B	Q603	4I	D600	4B	D611	6P	D618	6N	D625	7N

Component side

Pattern 1 

Pattern 2 

Pattern 3 

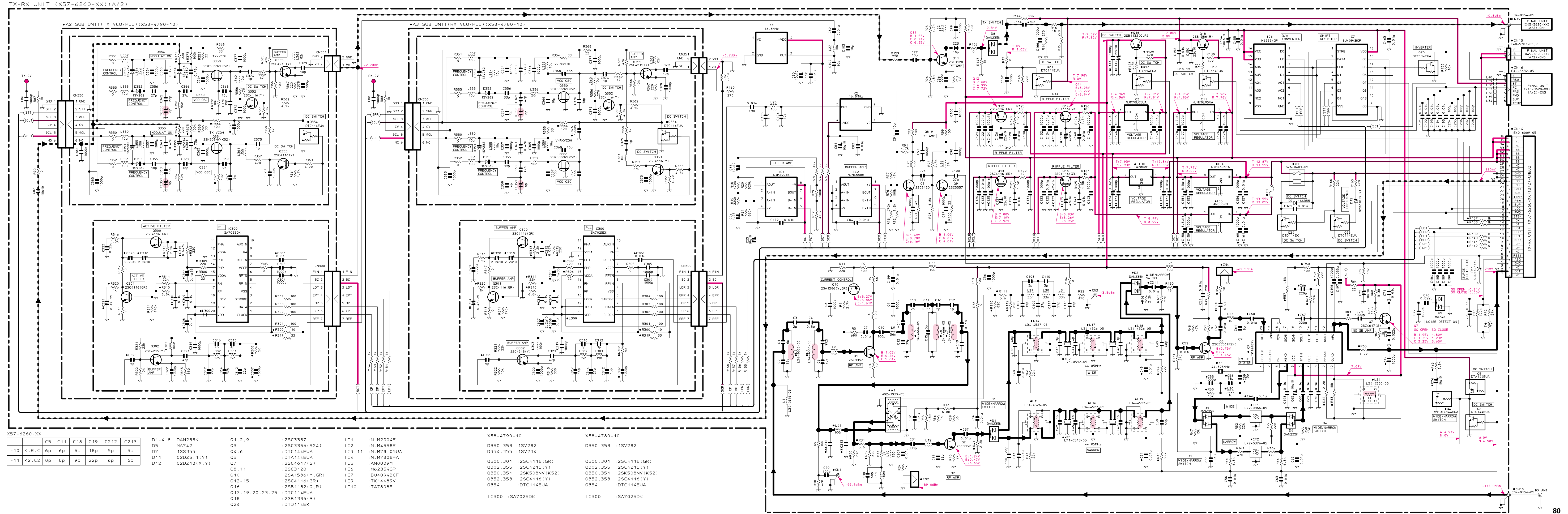
Pattern 4 

Foil side

● Connect 1 and 4

Note : Components marked with a dot (·) are parts of pattern 1.

CIRCUIT DIAGRAM TKR-750



X57-6260-XX

-10	K.E.C	6p	6p	6p	18p	5p	5p
-11	K2.C2	8p	8p	9p	22p	6p	6p

D1-4, 8	:DAN235K	Q1, 2, 9	:2SC3357	IC1	:NJM2904E
D5	:MA742	Q3	:2SC3356 (R24)	IC2	:NJM4558E
D7	:1S5355	Q4, 6	:DTC144EUA	IC3, 11	:NJM78L05UA
D11	:02D25, 1(Y)	Q5	:DTA144EUA	IC4	:NJM7808FA
D12	:02D218(X, Y)	Q7	:2SC4617(S)	IC5	:AN8009M
		Q8, 11	:M62354GP	IC6	:M62354GP
		Q10	:2SA1586(Y, GR)	IC7	:BU4094BCF
		Q12-15	:2SC4116(GR)	IC9	:TK14489V
		Q16	:2SB1132(O, R)	IC10	:TA7808F
		Q17, 19, 20, 23, 25	:DTC114EUA		
		Q18	:2SB1386(R)		
		Q24	:DTD114EK		

X58-4790-10

D350-353	:1SV282	Q300, 301	:2SC4116(GR)
D354, 355	:1SV214	Q302, 355	:2SC4215(Y)
		Q350, 351	:2SK508N(VK52)
		Q352, 353	:2SC4116(Y)
		Q354	:DTC114EUA

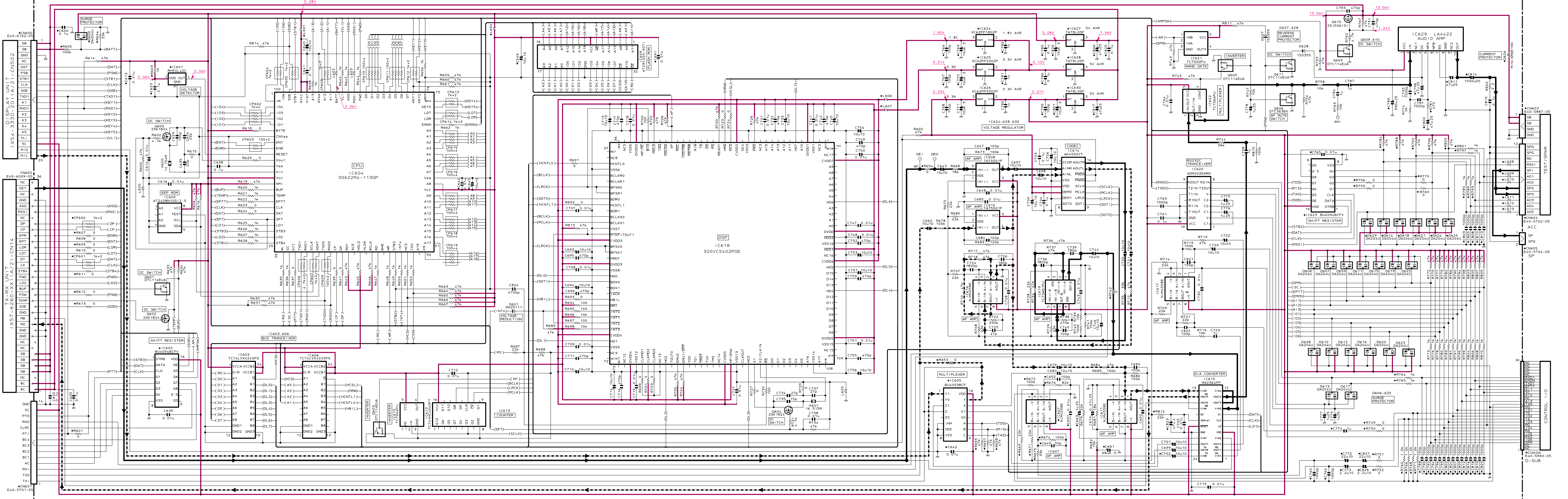
X58-4780-10

Q300, 301	:2SC4116(GR)	IC300	:SA7025DK
Q302, 355	:2SC4215(Y)	IC300	:SA7025DK
Q350, 351	:2SK508N(VK52)		
Q352, 353	:2SC4116(Y)		
Q354	:DTC114EUA		

TKR-750 CIRCUIT DIAGRAM

TX-RX UNIT: CONTROL SECTION (X57-6260-XX) (B/2)

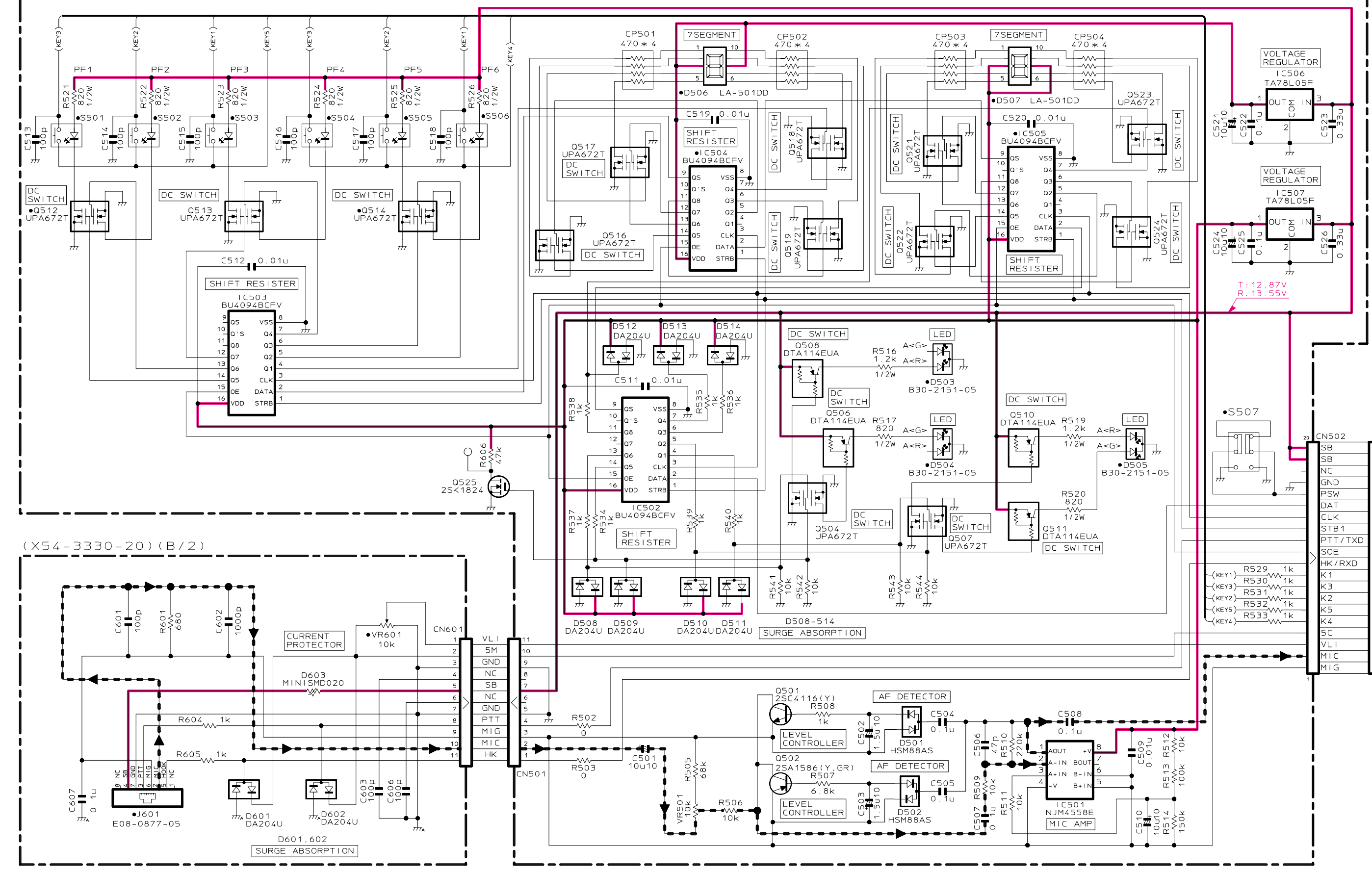
Note: Components marked with a dot (·) are parts of pattern 1.



D600, 606-625, 629	DA204U	D600, 602, 604	·2SK1824	IC600	·AT2408N10S12.5	IC604	·30622M4-113GP	IC609	·AT29C020-90T1	IC615	·M62364FP	IC620	·ADM202EARN	IC625, 626	·XC62FP3302P
D601	·MA2511	0601, 603, 605, 609, 611	·DT114EU4	IC601	·RH5VL42C	IC605	·BU40538CF	IC610	·TC7504FU	IC618	·320VC5402PGE	IC621	·TC7509FU	IC627, 628, 630	·TA78L05F
D626	·MINI SURGE 190	D606	·DT1363EK	IC602, 623	IC607, 611, 616, 617	IC608	·BU4094BCFV	IC613	·TC7564FU	IC619	·TC7564FU	IC622	·TC7564FU		
D627, 628	·15S355	D610	·2S1506(1S)	IC603, 606	·TC74LVX4245P5	IC608, 610	·TA75501F	IC614	·AK4550VT	IC624	·XC62FP1802P				

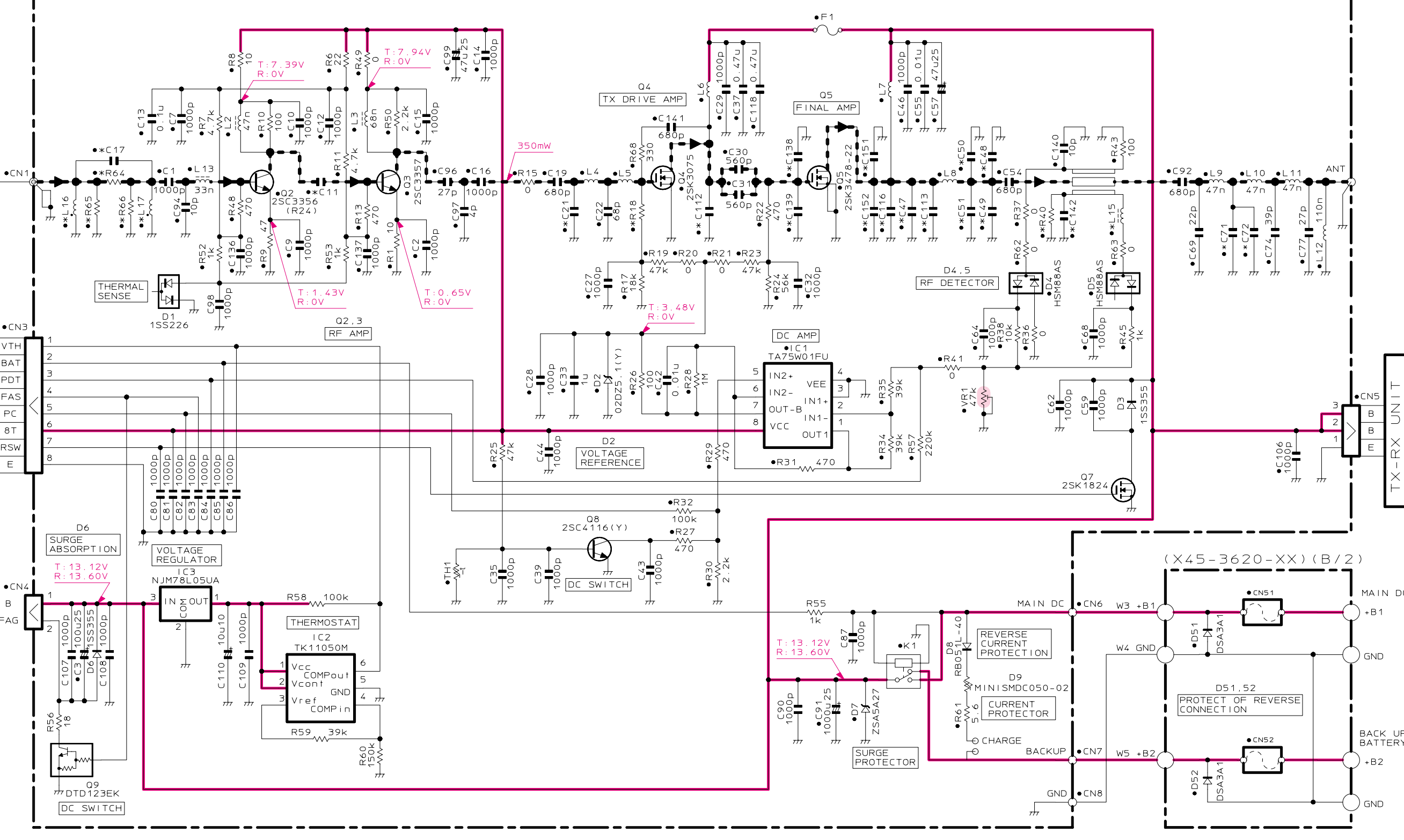
Note : Components marked with a dot (·) are parts of pattern 1.

DISPLAY UNIT
(X54-3330-20) (A/2)

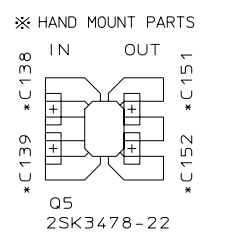


- | | | | | |
|-------------------|------------------------|----------------------------|----------------------|------------------------|
| D601.602 : DA204U | D501.502 : HSM88AS | O501 : 2SC4116(Y) | O506.508 : DTA114EUA | IC501 : NJM4558E |
| D603 : MINISMD020 | D503-505 : B30-2151-05 | O502 : 2SA1586(Y,GR) | O510.511 : UPA672T | IC502-505 : BU4094BCFV |
| | D506.507 : LA-501DD | O504.507.512-514 : UPA672T | O525 : 2SK1824 | IC506.507 : TA78L05F |
| | D508-614 : DA204U | O516-519.521-524 : UPA672T | | |

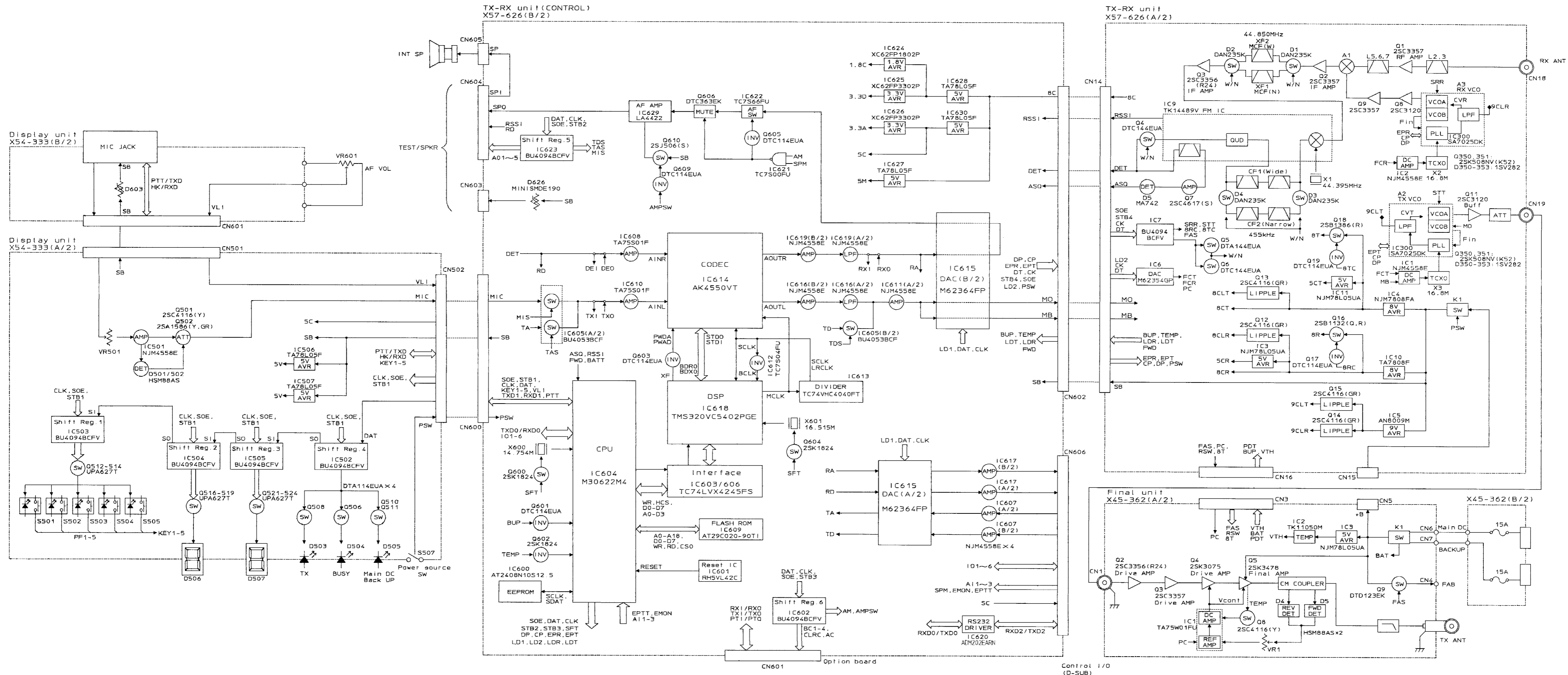
FINAL UNIT
(X45-3620-XX) (A/2)



- | | | | | |
|-----------------|--------------------|-------------------|-----------------|------------------|
| D1 : 1SS226 | D7 : ZSA5A27 | O2 : 2SC3356(R24) | O7 : 2SK1824 | IC1 : TA75W01FU |
| D2 : 02D25.1(Y) | D8 : RB051L-40 | O3 : 2SC3357 | O8 : 2SC4116(Y) | IC2 : TK11050M |
| D3.6 : 1SS355 | D9 : MINISMD050-02 | O4 : 2SK3075 | O9 : DTD123EK | IC3 : NJM78L05UA |
| D4.5 : HSM88AS | | O5 : 2SK3478-22 | | |



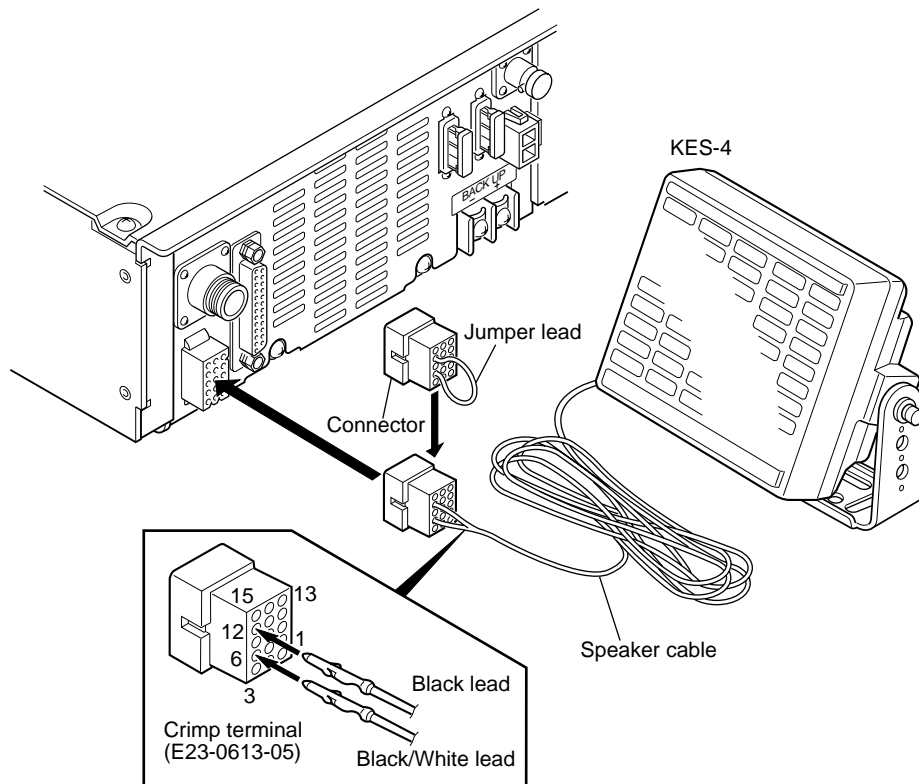
BLOCK DIAGRAM



KES-4 (EXTERNAL SPEAKER)

When Using an External Speaker

1. Make sure the unit's power is tuned off.
2. When using the external speaker, remove the jumper lead from the connector, and attach the speaker cable.
3. When not using the external speaker, replace the jumper lead and insert the connector into the speaker jack (pin9 and 12).



Specifications

Speaker size	120mm
Maximum input power	20W
Impedance	4Ω
Frequency response	100 to 5000Hz
Dimensions (W x H x D)	127 x 127 x 65 mm
projection not included	5 x 5 x 2-9/16 inch
Weight	780g / 1.72 lbs

SPECIFICATIONS (K,K2 TYPE)

GENERAL

Frequency Range	K : 146 to 174MHz	K2 : 136 to 150MHz
Number of Channels	16 channel	
Channel Spacing	Wide : 30kHz, 25kHz	Narrow : 15kHz, 12.5kHz
	(PLL channel stepping 2.5kHz/5kHz/6.25kHz/7.5kHz)	
Operating Voltage	13.6V DC±15%	
Current Drain		
Standby	0.8A	
Standby w/power save	0.3A (Operationg mode DC-IN : Backup, FAN : Temp, SAVE : ON, DISP : OFF)	
Receive	1.2A	
Transmit/Receive	Less than 13A	
Duty Cycle		
Receive	100%	
Transmit	100% (100% @25W)	
Frequency Stability	Less than ±0.0002% -30°C to +60°C (-22°F to +140°F)	
Antenna Impedance	50Ω	
Operating Temperature Range	-30°C to +60°C (-22°F to +140°F)	
Dimensions	483 (19) W x 88 (3-1/2) H x 340 (13-1/3) D mm (inch)	
Weight	9.7kg (21.4 lbs.)	

RECEIVER (Measured by TIA/EIA-603)

Sensitivity		
12dB SINAD	0.35μV	
20dB Quieting	0.45μV	
Selectivity	Wide : 85dB (±30kHz)	Narrow : 80dB (15kHz), 77dB (12.5kHz)
Intermodulation	Wide : 80dB (±30kHz/±60kHz)	Narrow : 75dB (±15kHz/±30kHz)
Hum and Noise	Wide : 50dB	Narrow : 45dB
Spurious & Image Rejection	90dB	
Audio Output (Ext. Speaker)	4W at 4Ω less than 5% distortion	
Audio Distortion (Ext. Speaker)	Less than 2.5% at 1000Hz	
Band Spread	3MHz	

TRANSMITTER (Measured by TIA/EIA-603)

RF Power Output	50W adjustable to 25W (100% duty @25W)	
Type of Emission	Wide : 16K0F3E	Narrow : 11K0F3E
Spurious Response	80dB	
FM Hum and Noise	Wide : 50dB	Narrow : 45dB
Audio Distortion	Less than 3% at 1000Hz	
Microphone Impedance	600Ω	
Band Spread	K : 28MHz	K2 : 14MHz

TKR-750

SPECIFICATIONS (E TYPE)

GENERAL

Frequency Range	146 to 174MHz
Number of Channels	16 channel
Channel Spacing	Wide : 25kHz Narrow : 12.5kHz (PLL channel stepping 5kHz/6.25kHz)
Operating Voltage	13.2V DC
Current Drain	
Standby	0.8A
Standby w/power save	0.3A (Operating mode DC-IN : Backup, FAN : Temp, SAVE : ON, DISP : OFF)
Receive	1.2A
Transmit/Receive	Less than 13A
Duty Cycle	Receive : 100% Transmit : 100% (100% @25W)
Frequency Stability	Less than $\pm 0.0002\%$ -30°C to $+60^{\circ}\text{C}$
Antenna Impedance	50Ω
Operating Temperature Range	-30°C to $+60^{\circ}\text{C}$
Dimensions	483 W x 88 H x 340 D mm
Weight	9.7kg

RECEIVER (Measured by ETS 300 086)

Sensitivity	$0.45\mu\text{V}$
Adjucent Channel Selectivity	85dB ($\pm 25\text{kHz}$) 77dB ($\pm 12.5\text{kHz}$)
Intermodulation	72dB
Spurious & Image Rejection	90dB
Audio Output (Ext. Speaker)	4W at 4Ω less than 5% distortion
Audio Distortion (Ext. Speaker)	Less than 2.5% at 1000Hz
Band Spread	3MHz

TRANSMITTER (Measured by ETS 300 086)

RF Power Output	50W adjustable to 25W (100% duty @25W)
Modulation Limiting	$\pm 5\text{kHz}$ at $\pm 25\text{kHz}$ $\pm 2.5\text{kHz}$ at $\pm 12.5\text{kHz}$
Spurious Emission	$-36\text{dBm} \leq 1\text{GHz}$ $-30\text{dBm} > 1\text{GHz}$
FM Noise (EIA)	25kHz : 50dB 12.5kHz : 45dB
Modulation Distortion	Less than 3% at 1000Hz
Microphone Impedance	600Ω
Band Spread	28MHz

KENWOOD CORPORATION

14-6, Dogenzaka 1-chome, Shibuya-ku, Tokyo 150-8501, Japan

KENWOOD SERVICE CORPORATION

P.O. BOX 22745, 2201 East Dominguez Street, Long Beach, CA 90801-5745, U.S.A.

KENWOOD ELECTRONICS CANADA INC.

6070 Kestrel Road, Mississauga, Ontario, Canada L5T 1S8

KENWOOD ELECTRONICS DEUTSCHLAND GMBH

Rembrücker Str. 15, 63150 Heusenstamm, Germany

KENWOOD ELECTRONICS BELGIUM N.V.

Mechelsesteenweg 418 B-1930 Zaventem, Belgium

KENWOOD ELECTRONICS FRANCE S.A.

13, Boulevard Ney, 75018 Paris, France

KENWOOD ELECTRONICS U.K. LIMITED

KENWOOD House, Dwight Road, Watford, Herts., WD1 8EB United Kingdom

KENWOOD ELECTRONICS EUROPE B.V.

Amsterdamseweg 37, 1422 AC Uithoorn, The Netherlands

KENWOOD ELECTRONICS ITALIA S.p.A.

Via G. Sirtori, 7/9 20129 Milano, Italy

KENWOOD IBERICA S.A.

Bolivia, 239-08020 Barcelona, Spain

KENWOOD ELECTRONICS AUSTRALIA PTY. LTD.

(A.C.N. 001 499 074)

16 Giffnock Avenue, Centrecourt Estate, North Ryde, N.S.W. 2113 Australia

KENWOOD ELECTRONICS (HONG KONG) LTD.

Unit 3712-3724, Level 37, Tower one Metroplaza, 223 Hing Fong Road, Kwai Fong, N.T., Hong Kong

KENWOOD ELECTRONICS TECHNOLOGIES(S) PTE LTD.

Sales Marketing Division

1 Ang Mo Kio Street 63, Singapore 569110