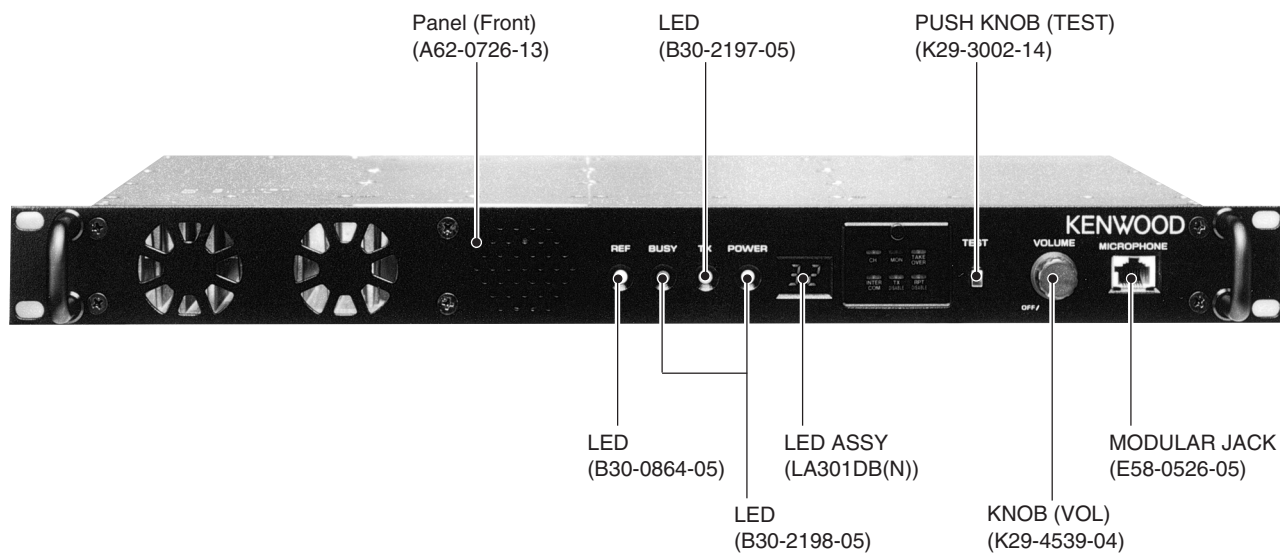


# TKR-840

## SERVICE MANUAL

### SUPPLEMENT

This service manual (B51-8829-00) applies to products with 907xxxxx or subsequent serial numbers. Refer to the TKR-840 service manual (B51-8506-00) for any information which has not been covered in this service manual.



## CONTENTS

GENERAL .....	2
DISASSEMBLY FOR REPAIR .....	2
COMPONENTS DESCRIPTION .....	5
PARTS LIST .....	8
EXPLODED VIEW .....	24
PACKING .....	26
SEMICONDUCTOR DATA .....	27

PC BOARD	
CONTROL UNIT(X53-4210-10) .....	28
RX UNIT(X55-3110-XX) .....	36
TX UNIT(X56-3130-XX) .....	40
SCHEMATIC DIAGRAM .....	48
SPECIFICATIONS .....	BACK COVER



## GENERAL

### Document Copyrights

Copyright 2008 by Kenwood Corporation. All rights reserved.  
No part of this manual may be reproduced, translated, distributed, or transmitted in any form or by any means, electronic, mechanical, photocopying, recording, or otherwise, for any purpose without the prior written permission of Kenwood.

### Disclaimer

While every precaution has been taken in the preparation of this manual, Kenwood assumes no responsibility for errors or omissions. Neither is any liability assumed for damages resulting from the use of the information contained herein. Kenwood reserves the right to make changes to any products herein at any time for improvement purposes.

### Service Manual List

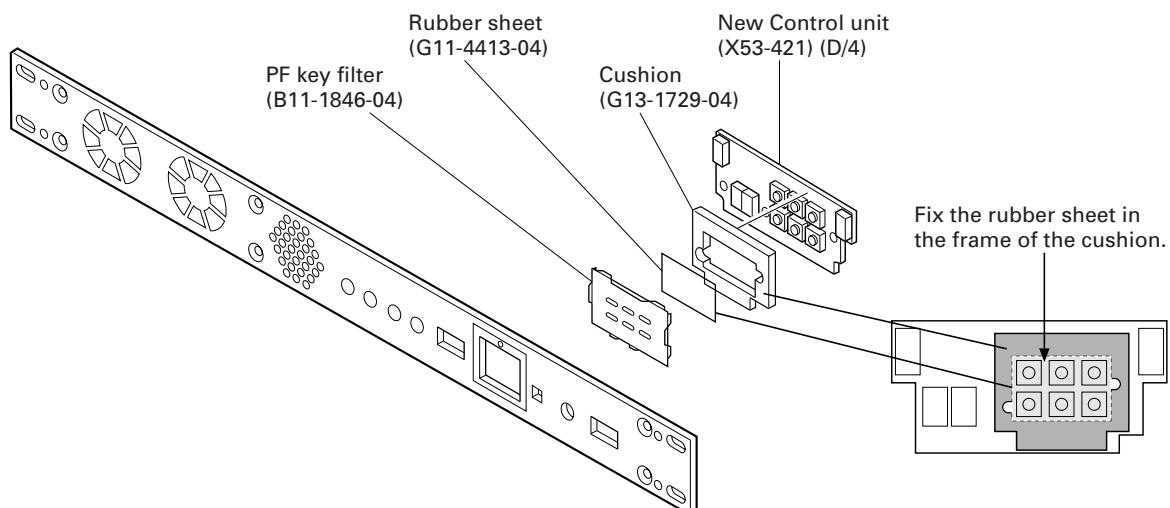
Title	Parts number	Remarks	Destination	Control unit	RX unit	TX unit
TKR-840	B51-8506-00	First edition	K, K2, K3	X53-3880-10 J72-0668-11	X55-3060-XX J72-0703-01	X56-3050-XX J72-0670-01
TKR-840	B51-8829-00	Supplement This service manual	K, K2, K3	X53-4210-10 J79-0034-19	X55-3110-XX J79-0167-09	X56-3130-XX J79-0168-09

## DISASSEMBLY FOR REPAIR

### 1. Precautions for replacing the Control unit (D/4: PF key part)

When replacing an old Control unit (X53-388) (D/4) with a new Control unit (X53-421) (D/4), it is necessary to replace the PF key filter from the old parts (B11-1223-04) to the new parts (B11-1846-04) at the same time.

In addition, add the rubber sheet (G11-4413-04) to the position as shown in the figure.



## DISASSEMBLY FOR REPAIR

### 2. Compatibility information for the Control unit, RX unit and TX unit

#### ■ The change of the Control, RX, TX units number with the change of the PLL IC.

With the PLL IC change (from SA7025 to LMX2352TMX/NP, and from LMX1511TMX to MB1511PFV-GBND), the Control, RX, and TX unit numbers were changed as shown the table below.

The new Control unit, RX unit and TX unit have been changed from S/No. 907xxxxx~.

	OLD Unit Number	NEW Unit Number	Remarks
<b>Control unit</b>	X53-3880-10 (J72-0668-XX)	X53-4210-10 (J79-0034-XX)	Identification addition of the old and new PLL ICs.
<b>RX unit</b>	X55-3060-XX (Old Main PLL IC:SA7025, Old Sub PLL IC:LMX1511TMX) (J72-0703-XX)	X55-3110-XX (New Main PLL IC:LMX2352TMX/NP, New Sub PLL IC: MB1511PFV-GBND) (J79-0167-XX)	RX PLL circuit modification
<b>TX unit</b>	X56-3050-XX (Old PLL IC:SA7025) (J72-0670-XX)	X56-3130-XX (New PLL IC:LMX2352TMX/NP) (J79-0168-XX)	TX PLL circuit modification
<b>Firmware</b>	Check sum "26A4" or before	Check sum "C77F" or later	Version upgrade to distinguish old and new PLL ICs.

#### ■ Compatibility information

There are some important notices when you replace the Control, RX and TX units.  
If you need to change either the RX or TX unit from TYPE A to TYPE B.

1. Another RX or TX unit also needs to be replaced with TYPE B. \*3
2. "C77F" or later firmware versions must be applied to that radio.

Compatibility Chart		Firmware and Control unit	
		"26A4" or earlier version	"C77F" or later version
		X53-3880-10 (Old)	X53-4210-10 (New)
<b>RX/TX unit</b>	OLD: TYPE A RX: X55-3060-XX TX: X56-3050-XX	Available	NOT available Causes unlock condition *1
	NEW: TYPE B RX: X55-3110-XX TX: X56-3130-XX	NOT available Causes unlock condition *2	Available
	Combination-1 *3 RX: X55-3060-XX (Old) TX: X56-3130-XX (New)	NOT available *3 RX or TX unit will causes unlock condition	
	Combination-2 *3 RX: X55-3110-XX (New) TX: X56-3050-XX (Old)		

#### Note :

- \*1. To enable use of TYPE A combination, circuit modifications are required. Please refer to "NEW CONTROL unit (X53-4210-10) circuit modification to use old RX and TX unit" described on page 4.
- \*2. To enable use of TYPE B combination, a Firmware update and circuit modifications are required. Please refer to "OLD CONTROL unit (X53-3880-10) circuit modification to use new RX and TX unit" described on page 4.
- \*3. Combination of old and new RX and TX units is not available. As a result, the old and new Control unit is not available.

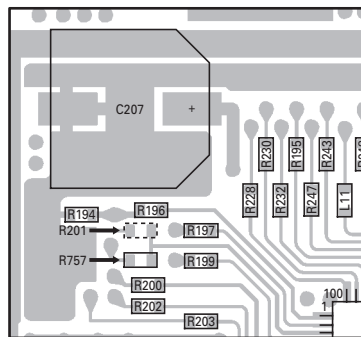
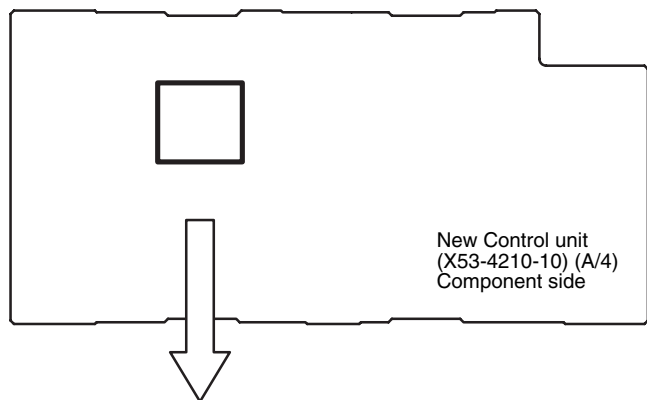
## DISASSEMBLY FOR REPAIR

### ■ NEW CONTROL unit (X53-4210-10) circuit modification to use old RX and TX unit

R757 is added to the NEW CONTROL unit to be identified by the CPU as the NEW RX and TX unit combination. Instead of this, R201 is empty from production. The land pattern of R201 is for OLD RX and TX unit combination.

The steps below are required to use this NEW CONTROL unit with a repeater having the old RX and TX unit combination.

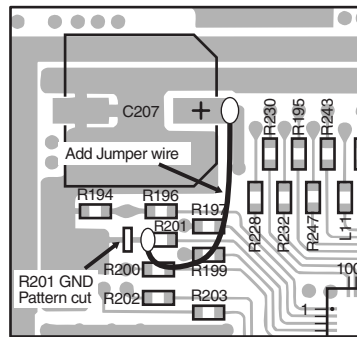
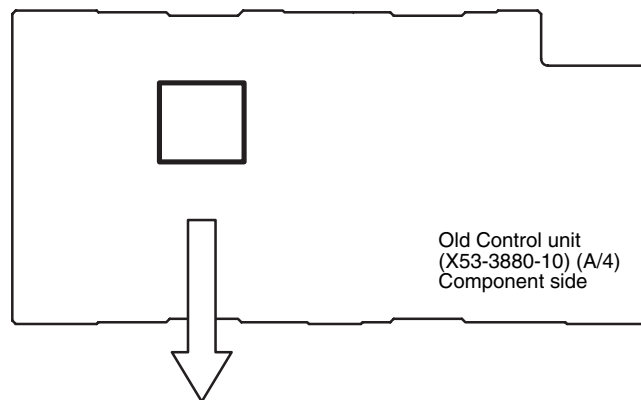
1. Remove R757 (RK73GB2A473J).
2. Place the chip jumper RK73GB2A473J (removed in step 1) on the R201 land pattern.



### ■ OLD CONTROL unit (X53-3880-10) circuit modification to use new RX and TX unit

The OLD CONTROL unit can be used for the NEW RX and TX unit if the OLD CONTROL unit is modified as instructed below when the system recovery is required urgently. However it is required the pattern cut. Kenwood recommends using a NEW CONTROL unit.

1. Cut the GND pattern for R201.
2. Add a Jumper wire between R201 and C207.
3. Rewrite the Firmware ("C77F" or later version).



## COMPONENTS DESCRIPTION

### CONTROL UNIT (X53-4210-10)

Ref. No.	Part Name	Description
IC1	IC	MULTIPLEXER
IC3~6	IC	AVR
IC7	IC	FLASH ROM
IC10	IC	VOLTAGE DETECTOR
IC12,13	IC	AF AMP
IC14	IC	MULTIPLEXER
IC15,16	IC	BUS BUFFER
IC17,18	IC	CPU
IC22,23	IC	AF AMP
IC24	IC	COUNTER
IC25	IC	INVERTER
IC27	IC	CODEC
IC29	IC	MULTIPLEXER
IC30	IC	DSP
IC31,32	IC	AF AMP
IC33	IC	D/A CONVERTER
IC34	IC	AF AMP
IC35	IC	MULTIPLEXER
IC36	IC	AF AMP
IC37	IC	MULTIPLEXER
IC38	IC	NAND GATE
IC39	IC	SHIFT REGISTER
IC40	IC	AF AMP
IC42	IC	RS232C TRANSCEIVER
IC45	IC	AF POWER AMP
IC46~49	IC	OR GATE
IC700~703	IC	SHIFT REGISTER
IC704~706	IC	AVR
Q1,5	FET	BEAT SHIFT
Q2,8~10	TRANSISTOR	INVERTER
Q11	TRANSISTOR	AF MUTE
Q12	TRANSISTOR	RSSI MUTE
Q13~16	TRANSISTOR	DC SWITCH
Q700,701	TRANSISTOR	LEVEL CONTROLLER
Q706~710	TRANSISTOR	DC SWITCH
D1,3~22 D24~28 D30~32 D34~39	DIODE	SURGE PROTECTOR

Ref. No.	Part Name	Description
D700,701	LED ASSY	7 SEGMENT
D702	LED	REFERENCE
D703	LED	POWER
D704	LED	TX
D705	LED	BUSY
D706	DIODE	SURGE PROTECTOR
D707	DIODE	AF DETECT
D708	VARISTOR	SURGE PROTECTOR
D709	DIODE	AF DETECTOR
D710	VARISTOR	CURRENT PROTECTOR
D711, 712	DIODE	SURGE PROTECTOR

### RX UNIT (X55-3110-XX)

Ref. No.	Part Name	Description
A1	DBM	DOUBLE BALANCED MIXER
IC2	IC	AVR
IC3	IC	SHIFT REGISTER
IC4	IC	AVR
IC5	IC	DC AMP
IC6	IC	MULTIPLEXER
IC7,8	IC	FM IF IC
IC9	IC	D/A CONVERTER
IC10	IC	EEPROM
IC11,12	IC	AF AMP
IC13	IC	AVR
IC14	IC	DC AMP
IC15	IC	PLL
IC16,17	IC	AVR
IC18	IC	AND GATE
IC19	IC	INVERTER
IC20	IC	DDS
IC21	IC	AVR
IC22,23	IC	ANALOG SWITCH
IC301	IC	PLL
IC302	IC	UNLOCK DETECTOR
Q1,3	TRANSISTOR	RF AMP
Q4	TRANSISTOR	REF. AMP
Q5	TRANSISTOR	RF AMP
Q6	TRANSISTOR	BUFFER AMP
Q7	TRANSISTOR	RF AMP

## COMPONENTS DESCRIPTION

Ref. No.	Part Name	Description
Q8,9	FET	VCO OSC
Q10,12,13	TRANSISTOR	DC SWITCH
Q14	TRANSISTOR	BUFFER AMP
Q15	TRANSISTOR	REF. AMP
Q16	TRANSISTOR	DC SWITCH
Q17	TRANSISTOR	RIPPLE FILTER
Q18~20	TRANSISTOR	DC SWITCH
Q21	FET	VCO OSC
Q22	TRANSISTOR	DC SWITCH
Q23	TRANSISTOR	BUFFER AMP
Q24,25	TRANSISTOR	IF AMP
Q26	TRANSISTOR	ACTIVE FILTER
Q27	TRANSISTOR	BUFFER AMP
Q28	TRANSISTOR	SQ AMP
Q29	TRANSISTOR	SQ SWITCH
Q30	TRANSISTOR	BUFFER AMP
Q31,32	TRANSISTOR	IF AMP
Q33	TRANSISTOR	BUFFER AMP
Q34,35	FET	SQ SWITCH
Q36~38	TRANSISTOR	SQ SWITCH
Q39	TRANSISTOR	BUFFER AMP
Q40,41	FET	DC SWITCH
D1	DIODE	LOCK DETECTOR
D2~4	VARICAP	FREQ. CONTROL
D6,9	VARICAP	FREQ. CONTROL
D10	DIODE	RF SW
D11	DIODE	SQ SW
D12,13	LED	LOCK INDICATOR
D300	LED	UNLOCK SWITCH

### TX UNIT (X56-3130-XX)

Ref. No.	Part Name	Description
IC1,2	IC	AVR
IC3	IC	D/A CONVERTER
IC4	IC	SHIFT REGISTER
IC5	IC	INVERTER
IC100	IC	AVR
IC102	IC	ACTIVE FILTER
IC103	IC	AVR
IC105	IC	AF AMP
IC106	IC	EEPROM
IC107	IC	AF AMP
IC108	IC	AVR
IC109	IC	BUFFER AMP
IC110	IC	AVR
IC200	IC	AND GATE
IC202	IC	DDS
IC203	IC	DC AMP
IC204	IC	COMPARATOR
IC205	IC	AVR
IC301	IC	POWER MODULE
IC302	IC	DC AMP
IC303	IC	DC AMP/COMPARATOR
IC304	IC	ANALOG SWITCH
IC305	IC	UNLOCK DETECTOR
IC500	IC	MAIN PLL
IC501	IC	SUB PLL
Q1,2	FET	VCO OSC
Q3,4	TRANSISTOR	DC SWITCH
Q5	FET	DC SWITCH
Q6	TRANSISTOR	BUFFER AMP
Q7	TRANSISTOR	RIPPLE FILTER
Q8	TRANSISTOR	DC SWITCH
Q9	TRANSISTOR	RF AMP
Q10~12	TRANSISTOR	DC SWITCH
Q13,14	TRANSISTOR	RF AMP
Q15	FET	BUFFER AMP
Q17,18	FET	DC SWITCH
Q21	TRANSISTOR	DC SWITCH
Q22	FET	DC SWITCH
Q102	TRANSISTOR	BUFFER AMP

## COMPONENTS DESCRIPTION

Ref. No.	Part Name	Description
Q106	TRANSISTOR	DOUBLER
Q107~109	TRANSISTOR	RF AMP
Q110	TRANSISTOR	DC SWITCH
Q112,113	FET	DC SWITCH
Q114	TRANSISTOR	DC SWITCH
Q115	TRANSISTOR	RF AMP
Q201	TRANSISTOR	VCO OSC
Q202	TRANSISTOR	BUFFER AMP
Q203	FET	DC SWITCH
Q205	TRANSISTOR	RF AMP
Q206	FET	DC SWITCH
Q207	TRANSISTOR	INVERTER
Q240	TRANSISTOR	BUFFER AMP
Q241	TRANSISTOR	RF AMP
Q242	TRANSISTOR	BUFFER AMP
Q301	TRANSISTOR	DC AMP
Q302,304,305	TRANSISTOR	DC SWITCH
Q306	TRANSISTOR	DC AMP
Q307	TRANSISTOR	DIFFERENTIAL AMP
Q308	TRANSISTOR	DC SWITCH
Q309	TRANSISTOR	DC AMP
Q310	TRANSISTOR	DIFFERENTIAL AMP
Q311~313	TRANSISTOR	DC SWITCH
D1~4	VARICAP	FREQ. CONTROL
D5,6	VARICAP	MODULATION
D7	DIODE	RF SWITCH
D8	DIODE	THERMAL SENSE
D11,12	DIODE	CURRENT STEERING
D50,51	LED	LOCK INDICATOR
D52	LED	TX INDICATOR
D101,103	DIODE	RF SWITCH
D201,202	VARICAP	FREQ. CONTROL
D203	VARICAP	MODULATION
D205	DIODE	RF DETECTOR
D206	VARISTOR	CURRENT PROTECTOR
D207	DIODE	CURRENT STEERING
D303	SURGE ABSORBER	SURGE PROTECTOR
D304	DIODE	CURRENT STEERING
D305	DIODE	REVERSE VOLTAGE PROTECTOR
D306~308	DIODE	RF DETECTOR

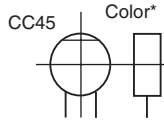
Ref. No.	Part Name	Description
D310	VARISTOR	CURRENT PROTECTOR
D312	ZENER DIODE	VOLTAGE REFERENCE
D317,318	DIODE	CURRENT STEERING
D500	VARISTOR	CURRENT PROTECTOR
D503	DIODE	UNLOCK SWITCH

## PARTS LIST

### CAPACITORS

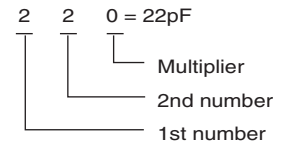
CC 45 TH 1H 220 J  
 1 2 3 4 5 6

- 1 = Type ... ceramic, electrolytic, etc.
- 2 = Shape ... round, square, ect.
- 3 = Temp. coefficient
- 4 = Voltage rating
- 5 = Value
- 6 = Tolerance



#### Capacitor value

- 010 = 1pF
- 100 = 10pF
- 101 = 100pF
- 102 = 1000pF = 0.001μF
- 103 = 0.01μF



#### Temperature coefficient

1st Word	C	L	P	R	S	T	U
Color*	Black	Red	Orange	Yellow	Green	Blue	Violet
ppm/°C	0	-80	-150	-220	-330	-470	-750

2nd Word	G	H	J	K	L
ppm/°C	±30	±60	±120	±250	±500

Example : CC45TH = -470 ± 60ppm/°C

#### Tolerance (More than 10pF)

Code	C	D	G	J	K	M	X	Z	P	No code
(%)	±0.25	±0.5	±2	±5	±10	±20	+40 -40	+80 -20	+100 -0	More than 10μF -10 ~ +50 Less than 4.7μF -10 ~ +75

#### (Less than 10pF)

Gode	B	C	D	F	G
(pF)	±0.1	±0.25	±0.5	±1	±2

#### Voltage rating

2nd word \ 1st word	A	B	C	D	E	F	G	H	J	K	V
0	1.0	1.25	1.6	2.0	2.5	3.15	4.0	5.0	6.3	8.0	-
1	10	12.5	16	20	25	31.5	40	50	63	80	35
2	100	125	160	200	250	315	400	500	630	800	-
3	1000	1250	1600	2000	2500	3150	4000	5000	6300	8000	-

#### Chip capacitors

(EX) C C 7 3 F S L 1 H 0 0 0 J  
 1 2 3 4 5 6 7

(Chip)(CH,RH,UJ,SL)

(EX) C K 7 3 F F 1 H 0 0 0 Z  
 1 2 3 4 5 6 7

(Chip)(B,F)

- Refer to the table above.
- 1 = Type
  - 2 = Shape
  - 3 = Dimension
  - 4 = Temp. coefficient
  - 5 = Voltage rating
  - 6 = Value
  - 7 = Tolerance

#### Dimension (Chip capacitors)

Dimension code	L	W	T
Empty	5.6 ± 0.5	5.0 ± 0.5	Less than 2.0
A	4.5 ± 0.5	3.2 ± 0.4	Less than 2.0
B	4.5 ± 0.5	2.0 ± 0.3	Less than 2.0
C	4.5 ± 0.5	1.25 ± 0.2	Less than 1.25
D	3.2 ± 0.4	2.5 ± 0.3	Less than 1.5
E	3.0 ± 0.2	1.6 ± 0.2	Less than 1.25
F	2.0 ± 0.3	1.25 ± 0.2	Less than 1.25
G	1.6 ± 0.2	0.8 ± 0.2	Less than 1.0
H	1.0 ± 0.05	0.5 ± 0.05	0.5 ± 0.05

### RESISTORS

#### Chip resistor (Carbon)

(EX) R D 7 3 E B 2 B 0 0 0 J  
 1 2 3 4 5 6 7

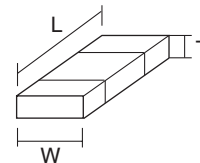
(Chip)(B,F)

#### Carbon resistor (Normal type)

(EX) R D 1 4 B B 2 C 0 0 0 J  
 1 2 3 4 5 6 7

- 1 = Type
- 2 = Shape
- 3 = Dimension
- 4 = Temp. coefficient
- 5 = Rating wattage
- 6 = Value
- 7 = Tolerance

#### Dimension



#### Dimension (Chip resistor)

Dimension code	L	W	T
E	3.2 ± 0.2	1.6 ± 0.2	1.0
F	2.0 ± 0.3	1.25 ± 0.2	1.0
G	1.6 ± 0.2	0.8 ± 0.2	0.5 ± 0.1
H	1.0 ± 0.05	0.5 ± 0.05	0.35 ± 0.05

#### Rating wattage

Code	Wattage	Code	Wattage	Code	Wattage
1J	1/16W	2C	1/6W	3A	1W
2A	1/10W	2E	1/4W	3D	2W
2B	1/8W	2H	1/2W		



## PARTS LIST

\* New Parts.  $\Delta$  indicates safety critical components.  
 Parts without **Parts No.** are not supplied.  
 Les articles non mentionnés dans le **Parts No.** ne sont pas fournis.  
 Teile ohne **Parts No.** werden nicht geliefert.

L: Scandinavia      K: USA      P: Canada  
 Y: PX (Far East, Hawaii)      T: England      E: Europe  
 Y: AAFES (Europe)      X: Australia      M: Other Areas

### TKR-840 (Y54-3150-XX) CONTROL UNIT (X53-4210-10)

Ref. No.	Address	New parts	Parts No.	Description	Destination
<b>TKR-840</b>					
1	3A	*	A62-0726-13	PANEL(FRONT)	
2	3A,1E		B10-2590-04	FRONT GLASS      ACCESSORY	
3	3A		B11-1225-04	FILTER(LED)	
4	3B		B11-1231-04	FILTER(7SEG)	
5	3B	*	B11-1846-04	FILTER(PF)	
6	1F		B62-1136-00	INSTRUCTION MANUAL	
7	1A		E23-1115-04	GROUND TERMINAL	
8	2C		E30-3343-15	DC CORD	
9	1E		E30-3344-25	DC CORD      ACCESSORY	
10	2B		E37-0712-05	FLAT CABLE(CONT-TX,RX)	
11	1B		E37-0713-05	FLAT CABLE(TX-FINAL)	
12	2D	*	E37-0715-15	LEAD WIRE WITH CONNECTOR(D-SUB)	
13	3B	*	E37-0717-15	LEAD WIRE WITH CONNECTOR(SP)	
14	2C,2D	*	E37-0718-15	LEAD WIRE WITH CONNECTOR(BNC)	
15	1B	*	E37-0719-15	LEAD WIRE WITH CONNECTOR(TX-RX)	
16	1B	*	E37-0720-15	LEAD WIRE WITH CONNECTOR(TX-FINAL)	
17	2D		E37-0721-15	LEAD WIRE WITH CONNECTOR(15P)	
18	1B		E37-0791-15	LEAD WIRE WITH TERMINAL(DC+)	
19	3B	*	E37-1353-05	LEAD WIRE WITH CONNECTOR(7SEG)	
20	2D	*	E37-1354-05	LEAD WIRE WITH CONNECTOR(12P)	
21	1E		E37-1381-05	LEAD WIRE WITH CONNECTOR(15P) ACC	
22	1E		E59-0404-05	RECTANGULAR PLUG(12P)      ACCESSORY	
23	2D,1E		F06-4027-05	FUSE(BLADE TYPE)(4A)      ACCESSORY	
24	2C		F10-2296-04	SHIELDING PLATE(RX LOWER)	
25	2C		F10-2297-04	SHIELDING PLATE(RX)	
26	2B,2C		G02-0576-14	FLAT SPRING(RX:IC4,TX:IC1)	
27	2C		G02-0829-14	FLAT SPRING(RX:L16)	
28	2C		G02-0831-04	FLAT SPRING(RX:L3,L16)	
29	3A		G10-1343-04	FIBROUS SHEET	
30	3B		G11-4413-04	RUBBER SHEET	
31	3B		G13-1653-14	CUSHION(SP)	
32	3B		G13-1669-04	CUSHION(MIC)	
33	3B		G13-1703-14	CUSHION(FRONT PANEL)	
34	3B		G13-1728-04	CUSHION(LED)	
35	3B		G13-1729-04	CUSHION(PF-PCB)	
36	3B		G13-1730-04	CUSHION(PF-PANEL)	
37	3B		G13-1754-04	CUSHION(VOL,TEST)	
38	3A		G13-1861-04	CUSHION(FRONT PANEL-SP)	
39	2E,2F		H10-6612-02	POLYSTYRENE FOAMED FIXTURE	
40	2F		H20-1437-03	PROTECTION COVER	
41	1E		H25-0029-04	PROTECTION BAG (60/110/0.07)	
42	1E		H25-0720-04	PROTECTION BAG (200X350)	
43	3F		H52-1517-02	ITEM CARTON CASE	
44	1A		J21-8375-04	MOUNTING HARDWARE(FINAL:TS301)	
45	1E		K01-0421-05	HANDLE      ACCESSORY	
46	3A		K29-3002-14	PUSH KNOB(TEST)	
47	3A		K29-4539-04	KNOB(VOL)	
48	3B		T07-0347-15	SPEAKER	
A	3A,1E	*	N08-0560-04	DRESSED SCREW(FRONT GLASS)	
B	2D		N09-2292-05	HEXAGON HEAD SCREW(D-SUB)	
C	1C,1D,2D		N32-3005-43	FLAT HEAD MACHINE SCREW	
D	3A,3B		N32-4008-43	FLAT HEAD MACHINE SCREW	
E	1B		N35-3006-48	BINDING HEAD MACHINE SCREW	
<b>CONTROL UNIT (X53-4210-10)</b>					
F	1A		N67-2606-48	PAN HEAD SEMS SCREW	
G	2B		N67-3006-48	PAN HEAD SEMS SCREW	
H	1A,2B		N67-3008-43	PAN HEAD SEMS SCREW	
I	1A,1B, 2B,3B,2C		N87-2606-48	BRAZIER HEAD TAPTITE SCREW	
J	2D		N87-2608-48	BRAZIER HEAD TAPTITE SCREW	
K	1B,2B		N87-2616-48	BRAZIER HEAD TAPTITE SCREW	
D702			B30-0864-05	LED(RE/GR)	
D703			B30-2198-05	LED(GR)	
D704			B30-2197-05	LED(RE)	
D705			B30-2198-05	LED(GR)	
C1			CK73GB1E103K	CHIP C      0.010UF      K	
C2 ,3			CK73EB1C105K	CHIP C      1.0UF      K	
C4			CK73GB1H102K	CHIP C      1000PF      K	
C5		*	C92-0899-05	ELECTRO      330UF      25WV	
C6			CK73GB1H102K	CHIP C      1000PF      K	
C7		*	C92-0898-05	ELECTRO      47UF      25WV	
C8			CK73GB1H102K	CHIP C      1000PF      K	
C9 ,10		*	C92-0898-05	ELECTRO      47UF      25WV	
C11 ,12		*	C92-0897-05	ELECTRO      470UF      16WV	
C13			CK73FB1E104K	CHIP C      0.10UF      K	
C14			CS77AA1E010M	CHIP TNTL      1.0UF      25WV	
C15			CC73GCH1H101J	CHIP C      100PF      J	
C18			CK73FB1E104K	CHIP C      0.10UF      K	
C19 ,20			CK73EB1C105K	CHIP C      1.0UF      K	
C21 -23			CK73GB1E103K	CHIP C      0.010UF      K	
C24 -26			CS77AA1A100M	CHIP TNTL      10UF      10WV	
C27			CK73GB1H102K	CHIP C      1000PF      K	
C28			CK73FB1E104K	CHIP C      0.10UF      K	
C29			CK73GB1E103K	CHIP C      0.010UF      K	
C30			CS77AA1C100M	CHIP TNTL      10UF      16WV	
C31			CK73GB1H102K	CHIP C      1000PF      K	
C32 -46			CC73GCH1H101J	CHIP C      100PF      J	
C49 -53			CC73GCH1H101J	CHIP C      100PF      J	
C54			CK73GB1E103K	CHIP C      0.010UF      K	
C55			CC73GCH1H101J	CHIP C      100PF      J	
C56			CK73EB1C105K	CHIP C      1.0UF      K	
C57 ,58			CC73GCH1H101J	CHIP C      100PF      J	
C59			CK73GB1H562J	CHIP C      5600PF      J	
C60			CC73GCH1H101J	CHIP C      100PF      J	
C61			CK73FB1E223K	CHIP C      0.022UF      K	
C66			CK73GB1E103K	CHIP C      0.010UF      K	
C68			CS77AA1E010M	CHIP TNTL      1.0UF      25WV	
C76			CK73EB1C105K	CHIP C      1.0UF      K	
C77			CC73GCH1H101J	CHIP C      100PF      J	
C78 -80			CS77AA1A100M	CHIP TNTL      10UF      10WV	
C83			CK73GB1E103K	CHIP C      0.010UF      K	
C84			CK73GB1H472K	CHIP C      4700PF      K	
C86			CK73GB1H472K	CHIP C      4700PF      K	
C87			CK73GB1H152K	CHIP C      1500PF      K	
C88			CK73EB1C105K	CHIP C      1.0UF      K	
C89			CC73FCH1H751J	CHIP C      750PF      J	

## PARTS LIST

### CONTROL UNIT (X53-4210-10)

Ref. No.	Address	New parts	Parts No.	Description	Destination	Ref. No.	Address	New parts	Parts No.	Description	Destination
C90			CK73GB1E103K	CHIP C 0.010UF K		C193			CK73FB1E104K	CHIP C 0.10UF K	
C91			CK73EB1C105K	CHIP C 1.0UF K		C194			CS77AA1A100M	CHIP TNTL 10UF 10WV	
C96			CK73GB1E103K	CHIP C 0.010UF K		C200-202			CK73GB1H471K	CHIP C 470PF K	
C100,101			CS77AA1A100M	CHIP TNTL 10UF 10WV		C203			CK73GB1E103K	CHIP C 0.010UF K	
C102			CC73GCH1H101J	CHIP C 100PF J		C204			CK73GB1H471K	CHIP C 470PF K	
C105-107			CS77AA1A100M	CHIP TNTL 10UF 10WV		C205			CK73GB1E103K	CHIP C 0.010UF K	
C108			CK73GB1E103K	CHIP C 0.010UF K		C206			CS77AA1A100M	CHIP TNTL 10UF 10WV	
C123			CC73GCH1H101J	CHIP C 100PF J		C207			C92-0771-05	CHIP-ELE 220UF 6.3WV	
C125			CK73EB1C105K	CHIP C 1.0UF K		C208,209			CK73GB1E103K	CHIP C 0.010UF K	
C126			CK73FB1E103K	CHIP C 0.010UF K		C210,211			C92-0771-05	CHIP-ELE 220UF 6.3WV	
C127			CS77AA1A100M	CHIP TNTL 10UF 10WV		C212-214			CK73EB1C105K	CHIP C 1.0UF K	
C128-131			CS77AA1E010M	CHIP TNTL 1.0UF 25WV		C221,222			CK73GB1E103K	CHIP C 0.010UF K	
C132			CC73GCH1H101J	CHIP C 100PF J		C223,224			CC73GCH1H270J	CHIP C 27PF J	
C133			CK73GB1E103K	CHIP C 0.010UF K		C225			CC73GCH1H150J	CHIP C 15PF J	
C134,135			CC73GCH1H101J	CHIP C 100PF J		C226,227			CK73GB1E103K	CHIP C 0.010UF K	
C136			C92-0858-05	CHIP TNTL 68UF 6.3WV		C228			CK73GB1H471K	CHIP C 470PF K	
C137			CS77BA0J470M	CHIP TNTL 47UF 6.3WV		C229			CK73GB1E103K	CHIP C 0.010UF K	
C138			CS77AA1A100M	CHIP TNTL 10UF 10WV		C231,232			CK73GB1E103K	CHIP C 0.010UF K	
C139			CC73GCH1H330J	CHIP C 33PF J		C256			CK73FB1E103K	CHIP C 0.010UF K	
C140-142			CK73GB1H102K	CHIP C 1000PF K		C300-303			CC73GCH1H101J	CHIP C 100PF J	
C143,144			CK73EB1C105K	CHIP C 1.0UF K		C304-312			CK73GB1H102K	CHIP C 1000PF K	
C145			CK73GB1E103K	CHIP C 0.010UF K		C313			CC73GCH1H101J	CHIP C 100PF J	
C146-148			CS77AA1E010M	CHIP TNTL 1.0UF 25WV		C315,316			CK73FB1E103K	CHIP C 0.010UF K	
C149			CS77AB20J101M	CHIP TNTL 100UF 6.3WV		C317,318			CC73GCH1H101J	CHIP C 100PF J	
C150			CS77AA1E010M	CHIP TNTL 1.0UF 25WV		C319-322			CS77AA1E010M	CHIP TNTL 1.0UF 25WV	
C151			CK73GB1E103K	CHIP C 0.010UF K		C323			CK73GB1H102K	CHIP C 1000PF K	
C152			CK73GB1H471K	CHIP C 470PF K		C324			CK73FB1E104K	CHIP C 0.10UF K	
C153			CK73EB1C105K	CHIP C 1.0UF K		C325-327			CK73GB1H102K	CHIP C 1000PF K	
C154			CS77AA1A100M	CHIP TNTL 10UF 10WV		C328-330			CC73GCH1H101J	CHIP C 100PF J	
C155			CK73EB1C105K	CHIP C 1.0UF K		C331-337			CK73GB1H102K	CHIP C 1000PF K	
C156,157			CK73GB1E103K	CHIP C 0.010UF K		C700-705			CC73GCH1H101J	CHIP C 100PF J	
C158			CK73GB1H102K	CHIP C 1000PF K		C706,707			CK73GB1E103K	CHIP C 0.010UF K	
C159			CS77AA1A100M	CHIP TNTL 10UF 10WV		C708-710			CK73FB1E104K	CHIP C 0.10UF K	
C160			CK73EB1C105K	CHIP C 1.0UF K		C711-713			CK73FF1E334Z	CHIP C 0.33UF Z	
C161,162			CS77AA1A4R7M	CHIP TNTL 4.7UF 10WV		C714,715			CK73GB1H102K	CHIP C 1000PF K	
C163			CS77AB20J101M	CHIP TNTL 100UF 6.3WV		C716			CS77AA1A100M	CHIP TNTL 10UF 10WV	
C164,165			CK73GB1H102K	CHIP C 1000PF K		C717,718			CC73GCH1H101J	CHIP C 100PF J	
C166			CS77AA1A4R7M	CHIP TNTL 4.7UF 10WV		C719			CK73GB1H471K	CHIP C 470PF K	
C167			CS77AA1A100M	CHIP TNTL 10UF 10WV		C720-722			CC73GCH1H101J	CHIP C 100PF J	
C168			CK73FB1E104K	CHIP C 0.10UF K		C723			CK73GB1H471K	CHIP C 470PF K	
C169,170			CS77AA1A100M	CHIP TNTL 10UF 10WV		C724			CC73GCH1H101J	CHIP C 100PF J	
C171			CK73GB1E103K	CHIP C 0.010UF K		C725			CK73FB1E104K	CHIP C 0.10UF K	
C172			CS77AA1A100M	CHIP TNTL 10UF 10WV		C727,728			CS77AA1A1R5M	CHIP TNTL 1.5UF 10WV	
C173			CC73GCH1H181J	CHIP C 180PF J		C729,730			CK73FB1E104K	CHIP C 0.10UF K	
C174			CK73GB1H182K	CHIP C 1800PF K		C731			CC73GCH1H470J	CHIP C 47PF J	
C175			CK73GB1E103K	CHIP C 0.010UF K		C732,733			CK73FB1E104K	CHIP C 0.10UF K	
C176			CS77AA1A100M	CHIP TNTL 10UF 10WV		C734			CK73FB1E103K	CHIP C 0.010UF K	
C177			CK73EB1C105K	CHIP C 1.0UF K		C735			CS77AA1A100M	CHIP TNTL 10UF 10WV	
C178			CC73GCH1H271J	CHIP C 270PF J		C736,737			CC73GCH1H101J	CHIP C 100PF J	
C179			CK73GB1H272K	CHIP C 2700PF K		C738,739			CK73GB1H102K	CHIP C 1000PF K	
C180,181			CS77AA1A100M	CHIP TNTL 10UF 10WV		C740-742			CS77AA1A100M	CHIP TNTL 10UF 10WV	
C182			CK73EB1C105K	CHIP C 1.0UF K		C750			CK73GB1C104K	CHIP C 0.10UF K	
C183			CK73GB1E103K	CHIP C 0.010UF K		CN1 -3	*		E40-6724-05	FLAT CABLE CONNECTOR	
C184			CC73GCH1H101J	CHIP C 100PF J		CN4			E40-5960-05	PIN ASSY	
C185-187			CK73GB1E103K	CHIP C 0.010UF K		CN5			E40-6654-05	PIN ASSY	
C188			CC73GCH1H030C	CHIP C 3.0PF C		CN6			E40-6653-05	PIN ASSY	
C189,190			CC73GCH1H120J	CHIP C 12PF J		CN700	*		E41-2717-05	PIN ASSY	
C191			CK73FB1C105K	CHIP C 1.0UF K		CN701	*		E41-2716-05	PIN ASSY	
C192			CK73GB1E103K	CHIP C 0.010UF K		CN702	*		E40-6734-05	FLAT CABLE CONNECTOR	

## PARTS LIST

### CONTROL UNIT (X53-4210-10)

Ref. No.	Address	New parts	Parts No.	Description	Destination	Ref. No.	Address	New parts	Parts No.	Description	Destination
CN703			E41-2735-05	PIN ASSY		R103			RK73GB2A563J	CHIP R	56K J 1/10W
CN705			E40-6654-05	PIN ASSY		R104			RK73GB2A333J	CHIP R	33K J 1/10W
CN706			E40-5960-05	PIN ASSY		R105			RK73GB2A223J	CHIP R	22K J 1/10W
J700			E58-0526-05	MODULAR JACK		R106			RK73GB2A224J	CHIP R	220K J 1/10W
W1			E37-0031-15	PROCESSED LEAD WIRE		R107,108			RK73GB2A223J	CHIP R	22K J 1/10W
L1 -5			L92-0140-05	CHIP FERRITE		R109			RK73GB2A473J	CHIP R	47K J 1/10W
L6			L41-1005-32	SMALL FIXED INDUCTOR(10UH)		R110			RK73GB2A334J	CHIP R	330K J 1/10W
L7			L92-0140-05	CHIP FERRITE		R114-120			RK73FB2B000J	CHIP R	0.0 J 1/8W
L9			L41-1005-32	SMALL FIXED INDUCTOR(10UH)		R121			RK73GB2A333J	CHIP R	33K J 1/10W
L10,11			L92-0140-05	CHIP FERRITE		R122			RK73GB2A563J	CHIP R	56K J 1/10W
L12,13			L41-1005-32	SMALL FIXED INDUCTOR(10UH)		R123			RK73GB2A103J	CHIP R	10K J 1/10W
X1			L77-1956-05	CRYSTAL RESONATOR(14.7456MHZ)		R124			RK73GB2A273J	CHIP R	27K J 1/10W
X2			L77-1799-05	CRYSTAL RESONATOR(16.515MHZ)		R125			RK73GB2A102J	CHIP R	1.0K J 1/10W
CP1 -7			RK75GB1J102J	CHIP-COM 1.0K J 1/16W		R126			RK73GB2A103J	CHIP R	10K J 1/10W
CP10,11			RK75GB1J471J	CHIP-COM 470 J 1/16W		R127			RK73GB2A123J	CHIP R	12K J 1/10W
CP14,15			RK75GB1J471J	CHIP-COM 470 J 1/16W		R128			RK73GB2A224J	CHIP R	220K J 1/10W
CP700-703			RK75GB1J471J	CHIP-COM 470 J 1/16W		R129			RK73GB2A104J	CHIP R	100K J 1/10W
R1			RK73GB2A101J	CHIP R 100 J 1/10W		R130			RK73GB2A124J	CHIP R	120K J 1/10W
R2			RK73GB2A103J	CHIP R 10K J 1/10W		R131			RK73GB2A473J	CHIP R	47K J 1/10W
R3			RK73GB2A473J	CHIP R 47K J 1/10W		R132			RK73GB2A103J	CHIP R	10K J 1/10W
R4 .5			RK73GB2A103J	CHIP R 10K J 1/10W		R133			RK73GB2A273J	CHIP R	27K J 1/10W
R6			RK73GB2A105J	CHIP R 1.0M J 1/10W		R134			RK73GB2A104J	CHIP R	100K J 1/10W
R7			RK73GB2A471J	CHIP R 470 J 1/10W		R135			RK73GB2A273J	CHIP R	27K J 1/10W
R8			RK73FB2B2R2J	CHIP R 2.2 J 1/8W		R136,137			RK73GB2A103J	CHIP R	10K J 1/10W
R9			RK73GB2A473J	CHIP R 47K J 1/10W		R138			RK73GB2A104J	CHIP R	100K J 1/10W
R10			RK73GB2A000J	CHIP R 0.0 J 1/10W		R139			RK73GB2A124J	CHIP R	120K J 1/10W
R16			RK73GB2A473J	CHIP R 47K J 1/10W		R140			RK73FB2B000J	CHIP R	0.0 J 1/8W
R27 -29			RK73PB2H220J	CHIP R 22 J 1/2W		R141,142			RK73GB2A101J	CHIP R	100 J 1/10W
R30 ,31			RK73GB2A102J	CHIP R 1.0K J 1/10W		R143,144			RK73GB2A102J	CHIP R	1.0K J 1/10W
R32			RK73GB2A104J	CHIP R 100K J 1/10W		R145-148			RK73GB2A122J	CHIP R	1.2K J 1/10W
R33 ,34			RK73GB2A102J	CHIP R 1.0K J 1/10W		R149-152			RK73GB2A473J	CHIP R	47K J 1/10W
R35			RK73GB2A332J	CHIP R 3.3K J 1/10W		R153,154			RK73GB2A122J	CHIP R	1.2K J 1/10W
R36 ,37			RK73GB2A102J	CHIP R 1.0K J 1/10W		R155-157			RK73GB2A102J	CHIP R	1.0K J 1/10W
R38			RK73GB2A183J	CHIP R 18K J 1/10W		R158,159			RK73GB2A473J	CHIP R	47K J 1/10W
R39			RK73GB2A472J	CHIP R 4.7K J 1/10W		R160			RK73GB2A101J	CHIP R	100 J 1/10W
R40 -43			RK73GB2A102J	CHIP R 1.0K J 1/10W		R161,162			RK73GB2A473J	CHIP R	47K J 1/10W
R44			RK73GB2A332J	CHIP R 3.3K J 1/10W		R164			RK73GB2A104J	CHIP R	100K J 1/10W
R45			RK73GB2A333J	CHIP R 33K J 1/10W		R165			RK73GB2A124J	CHIP R	120K J 1/10W
R46			RK73GB2A683J	CHIP R 68K J 1/10W		R166-168			RK73GB2A223J	CHIP R	22K J 1/10W
R47			RK73GB2A104J	CHIP R 100K J 1/10W		R169			RK73GB2A103J	CHIP R	10K J 1/10W
R48			RK73GB2A473J	CHIP R 47K J 1/10W		R171			RK73GB2A154J	CHIP R	150K J 1/10W
R49			RK73GB2A183J	CHIP R 18K J 1/10W		R172			RK73GB2A102J	CHIP R	1.0K J 1/10W
R66			RK73GB2A104J	CHIP R 100K J 1/10W		R173			RK73GB2A223J	CHIP R	22K J 1/10W
R69			RK73GB2A104J	CHIP R 100K J 1/10W		R174			RK73GB2A473J	CHIP R	47K J 1/10W
R70			RK73GB2A563J	CHIP R 56K J 1/10W		R175			RK73GB2A102J	CHIP R	1.0K J 1/10W
R71			RK73GB2A474J	CHIP R 470K J 1/10W		R176			RK73GB2A104J	CHIP R	100K J 1/10W
R72 -74			RK73GB2A222J	CHIP R 2.2K J 1/10W		R177-180			RK73GB2A473J	CHIP R	47K J 1/10W
R76			RK73GB2A473J	CHIP R 47K J 1/10W		R181			RK73GB2A103J	CHIP R	10K J 1/10W
R78			RK73GB2A473J	CHIP R 47K J 1/10W		R182			RK73GB2A473J	CHIP R	47K J 1/10W
R80			RK73GB2A474J	CHIP R 470K J 1/10W		R183			RK73GB2A102J	CHIP R	1.0K J 1/10W
R86			RK73FB2B000J	CHIP R 0.0 J 1/8W		R184			RK73GB2A223J	CHIP R	22K J 1/10W
R90 -93			RK73FB2B000J	CHIP R 0.0 J 1/8W		R185,186			RK73GB2A473J	CHIP R	47K J 1/10W
R94			RK73GB2A000J	CHIP R 0.0 J 1/10W		R187			RK73GB2A102J	CHIP R	1.0K J 1/10W
R95			RK73GB2A104J	CHIP R 100K J 1/10W		R188			RK73GB2A473J	CHIP R	47K J 1/10W
R96			RK73GB2A124J	CHIP R 120K J 1/10W		R189			RK73GB2A472J	CHIP R	4.7K J 1/10W
R100			RK73GB2A273J	CHIP R 27K J 1/10W		R190			RK73GB2A473J	CHIP R	47K J 1/10W
R101			RK73GB2A473J	CHIP R 47K J 1/10W		R191			RK73GB2A472J	CHIP R	4.7K J 1/10W
						R192			RK73GB2A103J	CHIP R	10K J 1/10W
						R193			RK73FB2B000J	CHIP R	0.0 J 1/8W
						R194			RK73GB2A183J	CHIP R	18K J 1/10W

## PARTS LIST

### CONTROL UNIT (X53-4210-10)

Ref. No.	Address	New parts	Parts No.	Description	Destination	Ref. No.	Address	New parts	Parts No.	Description	Destination
R195			RK73GB2A102J	CHIP R 1.0K J 1/10W		R297-301			RK73GB2A101J	CHIP R 100 J 1/10W	
R196			RK73GB2A473J	CHIP R 47K J 1/10W		R302-305			RK73GB2A102J	CHIP R 1.0K J 1/10W	
R197			RK73GB2A000J	CHIP R 0.0 J 1/10W		R306			RK73GB2A103J	CHIP R 10K J 1/10W	
R199			RK73GB2A101J	CHIP R 100 J 1/10W		R307			RK73GB2A473J	CHIP R 47K J 1/10W	
R200			RK73GB2A471J	CHIP R 470 J 1/10W		R310,311			RK73GB2A561J	CHIP R 560 J 1/10W	
R202,203			RK73GB2A102J	CHIP R 1.0K J 1/10W		R314-318			RK73GB2A473J	CHIP R 47K J 1/10W	
R204			RK73GB2A000J	CHIP R 0.0 J 1/10W		R321-328			RK73GB2A102J	CHIP R 1.0K J 1/10W	
R205,206			RK73GB2A102J	CHIP R 1.0K J 1/10W		R329			RK73GB2A101J	CHIP R 100 J 1/10W	
R207			RK73GB2A473J	CHIP R 47K J 1/10W		R331			RK73GB2A473J	CHIP R 47K J 1/10W	
R208,209			RK73GB2A000J	CHIP R 0.0 J 1/10W		R334			RK73GB2A392J	CHIP R 3.9K J 1/10W	
R210-215			RK73GB2A102J	CHIP R 1.0K J 1/10W		R335-342			RK73GB2A473J	CHIP R 47K J 1/10W	
R216			RK73GB2A473J	CHIP R 47K J 1/10W		R343			RK73GB2A472J	CHIP R 4.7K J 1/10W	
R217,218			RK73GB2A102J	CHIP R 1.0K J 1/10W		R344			RK73FB2B000J	CHIP R 0.0 J 1/8W	
R219,220			RK73GB2A473J	CHIP R 47K J 1/10W		R345			RK73GB2A473J	CHIP R 47K J 1/10W	
R221-227			RK73GB2A102J	CHIP R 1.0K J 1/10W		R346-348			RK73GB2A101J	CHIP R 100 J 1/10W	
R228			RK73GB2A101J	CHIP R 100 J 1/10W		R349-351			RK73GB2A473J	CHIP R 47K J 1/10W	
R229			RK73GB2A000J	CHIP R 0.0 J 1/10W		R352			RK73GB2A101J	CHIP R 100 J 1/10W	
R230			RK73GB2A101J	CHIP R 100 J 1/10W		R353-357			RK73GB2A473J	CHIP R 47K J 1/10W	
R231			RK73GB2A102J	CHIP R 1.0K J 1/10W		R358-372			RK73GB2A102J	CHIP R 1.0K J 1/10W	
R232			RK73GB2A101J	CHIP R 100 J 1/10W		R380			RK73GB2A102J	CHIP R 1.0K J 1/10W	
R233-236			RK73GB2A102J	CHIP R 1.0K J 1/10W		R700-705			RK73FB2B472J	CHIP R 4.7K J 1/8W	
R237			RK73GB2A473J	CHIP R 47K J 1/10W		R706			RK73FB2B221J	CHIP R 220 J 1/8W	
R238-240			RK73GB2A102J	CHIP R 1.0K J 1/10W		R707			RK73FB2B331J	CHIP R 330 J 1/8W	
R241			RK73GB2A472J	CHIP R 4.7K J 1/10W		R708,709			RK73FB2B221J	CHIP R 220 J 1/8W	
R242-252			RK73GB2A102J	CHIP R 1.0K J 1/10W		R710			RK73FB2B331J	CHIP R 330 J 1/8W	
R253			RK73GB2A101J	CHIP R 100 J 1/10W		R711			RK73FB2B472J	CHIP R 4.7K J 1/8W	
R254			RK73GB2A102J	CHIP R 1.0K J 1/10W		R712			RK73PB2H101J	CHIP R 100 J 1/2W	
R255			RK73GB2A101J	CHIP R 100 J 1/10W		R713			RK73PB2H330J	CHIP R 33 J 1/2W	
R256			RK73GB2A102J	CHIP R 1.0K J 1/10W		R714			RK73PB2H101J	CHIP R 100 J 1/2W	
R257			RK73GB2A473J	CHIP R 47K J 1/10W		R715			RK73PB2H680J	CHIP R 68 J 1/2W	
R258			RK73GB2A101J	CHIP R 100 J 1/10W		R716			RK73GB2A683J	CHIP R 68K J 1/10W	
R259,260			RK73GB2A102J	CHIP R 1.0K J 1/10W		R717,718			RK73GB2A102J	CHIP R 1.0K J 1/10W	
R261			RK73GB2A101J	CHIP R 100 J 1/10W		R719			RK73GB2A681J	CHIP R 680 J 1/10W	
R262			RK73GB2A473J	CHIP R 47K J 1/10W		R720			RK73GB2A102J	CHIP R 1.0K J 1/10W	
R263,264			RK73GB2A102J	CHIP R 1.0K J 1/10W		R721			RK73FB2B000J	CHIP R 0.0 J 1/8W	
R265			RK73GB2A101J	CHIP R 100 J 1/10W		R722,723			RK73GB2A102J	CHIP R 1.0K J 1/10W	
R266			RK73GB2A473J	CHIP R 47K J 1/10W		R724			RK73GB2A682J	CHIP R 6.8K J 1/10W	
R267,268			RK73GB2A102J	CHIP R 1.0K J 1/10W		R725			RK73GB2A103J	CHIP R 10K J 1/10W	
R269			RK73GB2A101J	CHIP R 100 J 1/10W		R726			RK73GB2A224J	CHIP R 220K J 1/10W	
R270			RK73GB2A473J	CHIP R 47K J 1/10W		R727			RK73GB2A103J	CHIP R 10K J 1/10W	
R271			RK73GB2A102J	CHIP R 1.0K J 1/10W		R728			RK73GB2A154J	CHIP R 150K J 1/10W	
R272			RK73GB2A101J	CHIP R 100 J 1/10W		R729			RK73GB2A104J	CHIP R 100K J 1/10W	
R273			RK73GB2A473J	CHIP R 47K J 1/10W		R730			RK73GB2A103J	CHIP R 10K J 1/10W	
R274,275			RK73GB2A102J	CHIP R 1.0K J 1/10W		R731,732			RK73GB2A102J	CHIP R 1.0K J 1/10W	
R276			RK73GB2A101J	CHIP R 100 J 1/10W		R733			RK73GB2A682J	CHIP R 6.8K J 1/10W	
R277			RK73GB2A473J	CHIP R 47K J 1/10W		R734			RK73GB2A103J	CHIP R 10K J 1/10W	
R278			RK73GB2A102J	CHIP R 1.0K J 1/10W		R756			RK73PB2H680J	CHIP R 68 J 1/2W	
R279			RK73GB2A473J	CHIP R 47K J 1/10W		R757			RK73GB2A473J	CHIP R 47K J 1/10W	
R280			RK73GB2A102J	CHIP R 1.0K J 1/10W		VR700			R12-6423-05	TRIMMING POT.(10K)	
R281			RK73GB2A101J	CHIP R 100 J 1/10W		VR701			R05-3442-05	POTENTIOMETER(10K)	
R282,283			RK73GB2A102J	CHIP R 1.0K J 1/10W		S700-705	*		S70-0505-05	TACT SWITCH	
R284			RK73GB2A101J	CHIP R 100 J 1/10W		S706			S40-2441-15	PUSH SWITCH	
R285			RK73GB2A102J	CHIP R 1.0K J 1/10W		D1			DA204U	DIODE	
R286,287			RK73GB2A101J	CHIP R 100 J 1/10W		D3 -22			DA204U	DIODE	
R288,289			RK73GB2A473J	CHIP R 47K J 1/10W		D24 -28			DA204U	DIODE	
R290			RK73GB2A101J	CHIP R 100 J 1/10W		D30 ,31			DA204U	DIODE	
R291			RK73GB2A472J	CHIP R 4.7K J 1/10W		D34 ,35			DA204U	DIODE	
R292			RK73GB2A473J	CHIP R 47K J 1/10W		D37 -39			DA204U	DIODE	
R293			RK73GB2A101J	CHIP R 100 J 1/10W							
R294-296			RK73GB2A473J	CHIP R 47K J 1/10W							

## PARTS LIST

CONTROL UNIT (X53-4210-10)  
RX UNIT (X55-3110-XX)

Ref. No.	Address	New parts	Parts No.	Description	Destination	Ref. No.	Address	New parts	Parts No.	Description	Destination
D700,701			LA301DB(N)	LED ASSY		<b>RX UNIT (X55-3110-XX) -10:K, -11:K2, -12:K3</b>					
D706			DA204U	DIODE		D12 ,13			B30-2130-05	LED(YG)	
D707			HSM88AS-E	DIODE		C1			CC73GCH1H030C	CHIP C 3.0PF C	
D708			DA204U	DIODE		C2			CK73GB1H102K	CHIP C 1000PF K	
D709			HSM88AS-E	DIODE		C3			CK73GB1H471K	CHIP C 470PF K	
D710			MINISMD07502F	VARISTOR		C4			CK73GB1H102K	CHIP C 1000PF K	
D711,712			DA204U	DIODE		C5			CK73GB1H103K	CHIP C 0.010UF K	
IC1			TC7S66FUF	MOS-IC		C6			CK73GB1H102K	CHIP C 1000PF K	
IC3			NJM78L05UA-ZB	BI-POLAR IC		C7			CK73GB1H471K	CHIP C 470PF K	
IC4			TA7805FQ	MOS-IC		C8			CS77AA1VR15M	CHIP TINTL 0.15UF 35WV	
IC5			NJM78L08UA-ZB	BI-POLAR IC		C9			CS77AB21C220M	CHIP TINTL 22UF 16WV	
IC6			TA7805FQ	MOS-IC		C10			C92-0545-05	CHIP TINTL 2.2UF 6.3WV	
IC7			AT29C02090TU	ROM IC		C11			CK73GB1H471K	CHIP C 470PF K	
IC10			R3111H421C-F	MOS-IC		C12			CC73GCH1H060D	CHIP C 6.0PF D	K2
IC12,13			NJM4558E-ZB	ANALOGUE IC		C12			CC73GCH1H070D	CHIP C 7.0PF D	K
IC14			BU4053BCF	MOS-IC		C12			CC73GCH1H080D	CHIP C 8.0PF D	K3
IC15,16			TC74VHC245FT	MOS-IC		C13			CC73GCH1H1R5C	CHIP C 1.5PF C	K2
IC17,18		*	30622M4-103GPU	MICROPROCESSOR IC		C13			CC73GCH1H2R5C	CHIP C 2.5PF C	K,K3
IC22,23			NJM4558E-ZB	ANALOGUE IC		C14			CS77AA1V0R1M	CHIP TINTL 0.1UF 35WV	
IC24		*	TC74HC040AF-F	MOS-IC		C15			CC73FCH1H050B	CHIP C 5.0PF B	K2
IC25			TC7S04F-F	MOS-IC		C15			CC73FCH1H060B	CHIP C 6.0PF B	K
IC27			PCM3000E	MOS-IC		C15			CC73FCH1H090B	CHIP C 9.0PF B	K3
IC29			BU4053BCF	MOS-IC		C16			CC73GCH1H060D	CHIP C 6.0PF D	K2
IC30		*	AD2185BSTZ133	MICROPROCESSOR IC		C16			CC73GCH1H080D	CHIP C 8.0PF D	K
IC31,32			NJM4558E-ZB	ANALOGUE IC		C16			CC73GCH1H090D	CHIP C 9.0PF D	K3
IC33			M62364FP-F	MOS-IC		C17			CC73FCH1H060B	CHIP C 6.0PF B	K2
IC34			NJM4558E-ZB	ANALOGUE IC		C17			CC73FCH1H120G	CHIP C 12PF G	K
IC35		*	TC7S32FU-F	MOS-IC		C17			CC73FCH1H150G	CHIP C 15PF G	K3
IC36			NJM4558E-ZB	ANALOGUE IC		C18			CK73GB1H103K	CHIP C 0.010UF K	
IC37			BU4053BCF	MOS-IC		C19			CK73GB1H471K	CHIP C 470PF K	
IC38			TC7S00FU-F	MOS-IC		C19 ,20			CC73FCH1H040B	CHIP C 4.0PF B	K2
IC39			BU4094BCFV	MOS-IC		C21			CC73FCH1H050B	CHIP C 5.0PF B	K
IC40			NJM4558E-ZB	ANALOGUE IC		C21			CC73FCH1H080B	CHIP C 8.0PF B	K3
IC42		*	ADM202EARWZ	MOS-IC		C23			CC73GCH1H020C	CHIP C 2.0PF C	
IC45			LA4422-E	BI-POLAR IC		C24			CC73GCH1H101J	CHIP C 100PF J	
IC46-49		*	TC7S32FU-F	MOS-IC		C25			CC73FCH1H050B	CHIP C 5.0PF B	K2
IC700-703			BU2114F	MOS-IC		C25			CC73FCH1H100B	CHIP C 10PF B	K
IC704			NJM78L05UA-ZB	BI-POLAR IC		C25			CC73FCH1H150G	CHIP C 15PF G	K3
IC705			TA78L05FF	MOS-IC		C26			CK73GB1H471K	CHIP C 470PF K	
IC706			NJM78L05UA-ZB	BI-POLAR IC		C27			CK73GB1H102K	CHIP C 1000PF K	
Q1			2SK1824-A	FET		C29			CK73FB1E104K	CHIP C 0.10UF K	
Q2			DTC114EUA	DIGITAL TRANSISTOR		C30 ,31			CK73GB1H471K	CHIP C 470PF K	
Q5			2SK1824-A	FET		C32			CC73FCH1H070B	CHIP C 7.0PF B	K2
Q8			DTC144EUA	DIGITAL TRANSISTOR		C32			CC73FCH1H080B	CHIP C 8.0PF B	K
Q9			DTC114EUA	DIGITAL TRANSISTOR		C32			CC73FCH1H090B	CHIP C 9.0PF B	K3
Q10			DTC144EUA	DIGITAL TRANSISTOR		C33			CC73GCH1H220J	CHIP C 22PF J	
Q11			DTC363EU	DIGITAL TRANSISTOR		C34 ,35			CK73GB1H102K	CHIP C 1000PF K	
Q12			DTC114EUA	DIGITAL TRANSISTOR		C36			CK73GB1H471K	CHIP C 470PF K	
Q13			DTD123TK	DIGITAL TRANSISTOR		C37			CK73FB1E104K	CHIP C 0.10UF K	
Q14			DTC114EKA	DIGITAL TRANSISTOR		C38			CC73GCH1H101J	CHIP C 100PF J	
Q15			DTD123TK	DIGITAL TRANSISTOR		C39			CC73GCH1H150J	CHIP C 15PF J	
Q16			DTC114EKA	DIGITAL TRANSISTOR		C40			CC73FCH1H070B	CHIP C 7.0PF B	K2
Q700			2SA1586(Y,GR)F	TRANSISTOR		C40			CC73FCH1H080B	CHIP C 8.0PF B	K
Q701			2SC4116(Y)F	TRANSISTOR		C40			CC73FCH1H120G	CHIP C 12PF G	K3
Q706			DTA114EUA	DIGITAL TRANSISTOR		C41			CK73GB1H102K	CHIP C 1000PF K	
Q707			DTC144EUA	DIGITAL TRANSISTOR		C43			CC73FCH1H100B	CHIP C 10PF B	
Q708			DTA114EUA	DIGITAL TRANSISTOR		C44			CC73FCH1H070B	CHIP C 7.0PF B	K,K2
Q709,710			DTC144EUA	DIGITAL TRANSISTOR		C44			CC73FCH1H090B	CHIP C 9.0PF B	K3

If a part reference number is listed in a shaded box, that part does not come with the PCB.

## PARTS LIST

### RX UNIT (X55-3110-XX)

Ref. No.	Address	New parts	Parts No.	Description	Destination	Ref. No.	Address	New parts	Parts No.	Description	Destination
C45,46			CK73GB1H102K	CHIP C 1000PF	K	C108-110			CK73GB1H103K	CHIP C 0.010UF K	
C47			CC73FCH1H070B	CHIP C 7.0PF B	K,K2	C111			CC73GCH1H220J	CHIP C 22PF J	
C47			CC73FCH1H110G	CHIP C 11PF G	K3	C112,113			CK73GB1H103K	CHIP C 0.010UF K	
C48			CS77AA1A100M	CHIP TNL 10UF 10WV		C114			CK73GB1H102K	CHIP C 1000PF K	
						C115			CK73FB1E104K	CHIP C 0.10UF K	
C49			CC73GCH1H0R5B	CHIP C 0.5PF B		C116			CK73GB1H103K	CHIP C 0.010UF K	
C50			CC73FCH1H070B	CHIP C 7.0PF B	K2	C117			CK73GB1H102K	CHIP C 1000PF K	
C50			CC73FCH1H100B	CHIP C 10PF B	K,K3	C118-120			CK73GB1H103K	CHIP C 0.010UF K	
C53			CS77AA1A100M	CHIP TNL 10UF 10WV		C121			CC73GCH1H040C	CHIP C 4.0PF C	
C54			CK73GB1H102K	CHIP C 1000PF K		C122			CK73FB1E104K	CHIP C 0.10UF K	
C55			CC73FCH1H040B	CHIP C 4.0PF B	K3	C123			CK73GB1H562K	CHIP C 5600PF K	
C56			CC73GCH1H101J	CHIP C 100PF J	K,K2	C124			CS77AB21C220M	CHIP TNL 22UF 16WV	
C57			CC73GCH1H0R5B	CHIP C 0.5PF B		C125			CC73GCH1H040B	CHIP C 4.0PF B	
C58			CK73GB1H102K	CHIP C 1000PF K		C126			CK73FB1E104K	CHIP C 0.10UF K	
C59-61			CK73FB1E104K	CHIP C 0.10UF K		C127			CK73GB1H562K	CHIP C 5600PF K	
C62			CK73GB1H102K	CHIP C 1000PF K		C128			CC73GCH1H040C	CHIP C 4.0PF C	
C63			CK73GB1H103K	CHIP C 0.010UF K		C129			CK73GB1C393K	CHIP C 0.039UF K	
C64			CK73GB1H102K	CHIP C 1000PF K		C130			CC73GCH1H050C	CHIP C 5.0PF C	
C65			CC73GCH1H100D	CHIP C 10PF D		C131			CK73GB1H103K	CHIP C 0.010UF K	
C66			CK73GB1H471K	CHIP C 470PF K		C132			CC73GCH1H040C	CHIP C 4.0PF C	
C67			CC73GCH1H150J	CHIP C 15PF J		C133			CK73GB1H103K	CHIP C 0.010UF K	
C68			CC73GCH1H080D	CHIP C 8.0PF D		C134			CS77AB21C220M	CHIP TNL 22UF 16WV	
C69			CK73GB1H471K	CHIP C 470PF K		C135			CK73GB1H103K	CHIP C 0.010UF K	
C70			C92-0863-05	CHIP TNL 0.047UF 35WV		C136			CC73GCH1H040C	CHIP C 4.0PF C	
C71			CC73GCH1H120J	CHIP C 12PF J	K2	C137			CK73GB1H103K	CHIP C 0.010UF K	
C71			CC73GCH1H150J	CHIP C 15PF J	K	C138			CK73GB1C333K	CHIP C 0.033UF K	
C71			CC73GCH1H180J	CHIP C 18PF J	K3	C139			CC73GCH1H040C	CHIP C 4.0PF C	
C72,73			CK73GB1H102K	CHIP C 1000PF K		C140			CS77AA1V0R1M	CHIP TNL 0.1UF 35WV	
C74			CK73GB1H471K	CHIP C 470PF K		C141			CC73GCH1H040B	CHIP C 4.0PF B	
C75			CC73GCH1H120J	CHIP C 12PF J	K2	C142			CK73FB1E104K	CHIP C 0.10UF K	
C75			CC73GCH1H150J	CHIP C 15PF J	K	C143,144			CK73GB1H103K	CHIP C 0.010UF K	
C75			CC73GCH1H180J	CHIP C 18PF J	K3	C145			CK73GB1E223K	CHIP C 0.022UF K	
C76			CS77AA1V0R1M	CHIP TNL 0.1UF 35WV		C146-148			CK73GB1H103K	CHIP C 0.010UF K	
C77			CK73FB1E104K	CHIP C 0.10UF K		C149			CK73FB1E104K	CHIP C 0.10UF K	
C78			CC73GCH1H040C	CHIP C 4.0PF C	K,K2	C150			CS77BA0J470M	CHIP TNL 47UF 6.3WV	
C78			CC73GCH1H050C	CHIP C 5.0PF C	K3	C151,152			CK73GB1H103K	CHIP C 0.010UF K	
C79			CC73GCH1H060D	CHIP C 6.0PF D	K2	C153			CK73GB1H102K	CHIP C 1000PF K	
C79			CC73GCH1H080D	CHIP C 8.0PF D	K	C154,155			CK73GB1H103K	CHIP C 0.010UF K	
C79			CC73GCH1H090D	CHIP C 9.0PF D	K3	C156			CC73GCH1H040C	CHIP C 4.0PF C	
C80			CK73GB1H102K	CHIP C 1000PF K		C157			CK73GB1H102K	CHIP C 1000PF K	
C81			CC73GCH1H020C	CHIP C 2.0PF C		C158,159			CK73GB1H103K	CHIP C 0.010UF K	
C82		*	C92-0897-05	ELECTRO 470UF 16WV		C160,161			CK73GB1H102K	CHIP C 1000PF K	
C83-85			CK73GB1H103K	CHIP C 0.010UF K		C162,163			CK73GB1H103K	CHIP C 0.010UF K	
C86			CC73GCH1H470J	CHIP C 47PF J		C164			CK73GB1H102K	CHIP C 1000PF K	
C87			CK73GB1H102K	CHIP C 1000PF K		C165			CS77AA1ER47M	CHIP TNL 0.47UF 25WV	
C88			CS77AB21C220M	CHIP TNL 22UF 16WV		C166			CC73GCH1H080D	CHIP C 8.0PF D	
C89-91			CK73GB1H103K	CHIP C 0.010UF K		C167			CK73FB1E104K	CHIP C 0.10UF K	
C92			CC73GCH1H040C	CHIP C 4.0PF C		C168			CK73GB1H103K	CHIP C 0.010UF K	
C93			CC73GCH1H120J	CHIP C 12PF J		C169,170			CS77AA1A100M	CHIP TNL 10UF 10WV	
C94			CC73GCH1H050C	CHIP C 5.0PF C		C171			CS77AA1ER47M	CHIP TNL 0.47UF 25WV	
C95			CC73GCH1H040C	CHIP C 4.0PF C		C172,173			CK73FB1E104K	CHIP C 0.10UF K	
C96,97			CK73GB1H103K	CHIP C 0.010UF K		C174,175			CK73GB1H102K	CHIP C 1000PF K	
C98			CC73GCH1H220J	CHIP C 22PF J		C176,177			CK73FB1E104K	CHIP C 0.10UF K	
C99			CK73GB1H103K	CHIP C 0.010UF K		C178,179			CK73GB1H221K	CHIP C 220PF K	
C100			CC73GCH1H050C	CHIP C 5.0PF C		C180			CK73FB1E104K	CHIP C 0.10UF K	
C101			CK73FB1E223K	CHIP C 0.022UF K		C181,182			CK73GB1H221K	CHIP C 220PF K	
C102			CC73GCH1H020C	CHIP C 2.0PF C		C183-186			CK73FB1E104K	CHIP C 0.10UF K	
C103,104			CK73GB1H103K	CHIP C 0.010UF K		C187,188			CK73GB1H102K	CHIP C 1000PF K	
C105,106			CS77AB21A470M	CHIP TNL 47UF 10WV		C189,190			CC73GCH1H270J	CHIP C 27PF J	
C107			CK73GB1H471K	CHIP C 470PF K		C191,192			CK73FB1E104K	CHIP C 0.10UF K	

## PARTS LIST

RX UNIT (X55-3110-XX)

Ref. No.	Address	New parts	Parts No.	Description	Destination	Ref. No.	Address	New parts	Parts No.	Description	Destination
C193			CC73GCH1H680J	CHIP C 68PF J		CF4		*	L72-1028-05	CERAMIC FILTER	
C194			CC73GCH1H220J	CHIP C 22PF J		CF5			L72-1029-05	CERAMIC FILTER	
C195			CK73GB1H102K	CHIP C 1000PF K		L1			L34-4523-05	AIR-CORE COIL	
C196			CS77AA1A100M	CHIP TNL 10UF 10WV		L2			L41-1098-40	SMALL FIXED INDUCTOR(1000NH)	
C197			CK73GB1H102K	CHIP C 1000PF K		L3			L79-1529-05	HELICAL BLOCK	K
C198			CS77AA1A100M	CHIP TNL 10UF 10WV		L3			L79-1730-05	HELICAL BLOCK	K2
C199,200			CS77BAQJ470M	CHIP TNL 47UF 6.3WV		L3			L79-1736-05	HELICAL BLOCK	K3
C201,202			CK73FB1E104K	CHIP C 0.10UF K		L4			L41-1098-40	SMALL FIXED INDUCTOR(1000NH)	
C203			CS77AA0G470M	CHIP TNL 47UF 4.0WV		L5			L41-1875-33	SMALL FIXED INDUCTOR(0.018UH)	K,K2
C204			CS77AA1A100M	CHIP TNL 10UF 10WV		L5			L41-2275-33	SMALL FIXED INDUCTOR(0.022UH)	K3
C206			CC73GCH1H470J	CHIP C 47PF J		L6			L41-1098-40	SMALL FIXED INDUCTOR(1000NH)	
C207			CK73GB1H471K	CHIP C 470PF K		L6	7		L34-4524-05	AIR-CORE COIL	
C208			CK73FB1E104K	CHIP C 0.10UF K		L8					
C209			CK73GB1H103K	CHIP C 0.010UF K		L9			L41-1098-40	SMALL FIXED INDUCTOR(1000NH)	
C210			CS77AB21C220M	CHIP TNL 22UF 16WV		L10			L34-4524-05	AIR-CORE COIL	
C211			CC73GCH1H080D	CHIP C 8.0PF D		L11			L41-1098-40	SMALL FIXED INDUCTOR(1000NH)	
C212			CK73GB1H103K	CHIP C 0.010UF K		L12			L41-1575-33	SMALL FIXED INDUCTOR(0.015UH)	K
C213			CK73FB1E104K	CHIP C 0.10UF K		L12			L41-1875-33	SMALL FIXED INDUCTOR(0.018UH)	K3
C214			CK73GB1H103K	CHIP C 0.010UF K		L12 ,13			L41-1575-33	SMALL FIXED INDUCTOR(0.015UH)	K2
C215,216			CC73GCH1H270J	CHIP C 27PF J		L13			L41-1875-33	SMALL FIXED INDUCTOR(0.018UH)	K
C217			CK73GB1H471K	CHIP C 470PF K		L13			L41-2275-33	SMALL FIXED INDUCTOR(0.022UH)	K3
C218,219			CC73GCH1H220J	CHIP C 22PF J		L14 ,15			L41-1098-40	SMALL FIXED INDUCTOR(1000NH)	
C220			CC73GCH1H060D	CHIP C 6.0PF D	K2	L16			L79-1529-05	HELICAL BLOCK	K
C220			CC73GCH1H070D	CHIP C 7.0PF D	K	L16			L79-1730-05	HELICAL BLOCK	K2
C220			CC73GCH1H090D	CHIP C 9.0PF D	K3	L16			L79-1736-05	HELICAL BLOCK	K3
C221			CS77AA1A2R2M	CHIP TNL 2.2UF 10WV		L17			L41-1098-40	SMALL FIXED INDUCTOR(1000NH)	
C222			CK73FB1E104K	CHIP C 0.10UF K		L18			L41-1005-33	SMALL FIXED INDUCTOR(10UH)	
C223			CK73GB1H103K	CHIP C 0.010UF K		L19			L41-1575-33	SMALL FIXED INDUCTOR(0.015UH)	
C224			CS77AA1A100M	CHIP TNL 10UF 10WV		L20			L41-1005-33	SMALL FIXED INDUCTOR(10UH)	
C226,227			CK73GB1H103K	CHIP C 0.010UF K		L21			L41-1875-33	SMALL FIXED INDUCTOR(0.018UH)	K3
C228,229			CK73FB1E104K	CHIP C 0.10UF K		L21 ,22			L41-1875-33	SMALL FIXED INDUCTOR(0.018UH)	K,K2
C230			CS77AA1A100M	CHIP TNL 10UF 10WV		L22			L41-3375-33	SMALL FIXED INDUCTOR(0.033UH)	K3
C231			CK73GB1H103K	CHIP C 0.010UF K		L23			L41-1575-33	SMALL FIXED INDUCTOR(0.015UH)	
C233,234			CK73GB1H103K	CHIP C 0.010UF K		L24			L41-1005-33	SMALL FIXED INDUCTOR(10UH)	
C235			CK73FB1C105K	CHIP C 1.0UF K		L25			L41-1085-33	SMALL FIXED INDUCTOR(0.1UH)	
C236			CS77AB21A470M	CHIP TNL 47UF 10WV		L26			L41-4785-33	SMALL FIXED INDUCTOR(0.47UH)	
C237			CK73GB1H103K	CHIP C 0.010UF K		L27			L34-4795-05	COIL	
C238			CK73FB1E104K	CHIP C 0.10UF K		L28			L34-4796-05	COIL	
C242			CC73GCH1H100D	CHIP C 10PF D		L29			L41-1005-33	SMALL FIXED INDUCTOR(10UH)	
C306			CK73GB1H103K	CHIP C 0.010UF K		L30			L41-3385-33	SMALL FIXED INDUCTOR(0.33UH)	
C329			CK73GB1H471K	CHIP C 470PF K		L31			L34-4795-05	COIL	
C333			CK73GB1H471K	CHIP C 470PF K		L32			L34-4796-05	COIL	
C346			CK73GB1H102K	CHIP C 1000PF K		L33			L41-2285-33	SMALL FIXED INDUCTOR(0.22UH)	
C384,385			CK73GB1H471K	CHIP C 470PF K		L34 ,35			L41-1085-33	SMALL FIXED INDUCTOR(0.1UH)	
C387			CK73GB1C104K	CHIP C 0.10UF K		L36 ,37			L41-1005-33	SMALL FIXED INDUCTOR(10UH)	
C388			CK73GB1H471K	CHIP C 470PF K		L38			L34-4795-05	COIL	
C389			CK73GB1C104K	CHIP C 0.10UF K		L39			L34-4796-05	COIL	
C391			CK73GB1H471K	CHIP C 470PF K		L40			L34-4795-05	COIL	
C402			CK73GB1H471K	CHIP C 470PF K		L41			L34-4796-05	COIL	
C403,404			CK73GB1C104K	CHIP C 0.10UF K		L42			L41-1005-33	SMALL FIXED INDUCTOR(10UH)	
TC1 ,2			C05-0393-05	CERAMIC TRIMMER CAPACITOR(8PF)		L43			L34-4795-05	COIL	
CN1			E04-0409-15	RF COAXIAL RECEPTACLE(SMB)		L44			L34-4796-05	COIL	
CN2			E04-0154-05	PIN SOCKET		L45			L41-1085-33	SMALL FIXED INDUCTOR(0.1UH)	
CN3 -5			E41-2735-05	PIN ASSY		L46			L41-1005-33	SMALL FIXED INDUCTOR(10UH)	
CN6		*	E40-6724-05	FLAT CABLE CONNECTOR		L47			L41-1085-33	SMALL FIXED INDUCTOR(0.1UH)	
CN7			E04-0409-15	RF COAXIAL RECEPTACLE(SMB)		L48			L41-1005-33	SMALL FIXED INDUCTOR(10UH)	
CF1		*	L72-1027-05	CERAMIC FILTER		L49 ,50			L41-1875-33	SMALL FIXED INDUCTOR(0.018UH)	K,K2
CF2		*	L72-1028-05	CERAMIC FILTER		L49 ,50			L41-2275-33	SMALL FIXED INDUCTOR(0.022UH)	K3
CF3		*	L72-1027-05	CERAMIC FILTER		L51			L41-3985-33	SMALL FIXED INDUCTOR(0.39UH)	
						L52 ,53			L34-4725-05	COIL	

# TKR-840

## PARTS LIST

### RX UNIT (X55-3110-XX)

Ref. No.	Address	New parts	Parts No.	Description	Destination	Ref. No.	Address	New parts	Parts No.	Description	Destination
L54			L41-3985-33	SMALL FIXED INDUCTOR(0.39UH)		R53 ,54			RK73GB2A103J	CHIP R	10K J 1/10W
L55			L41-6875-33	SMALL FIXED INDUCTOR(0.068UH)		R55			RK73GB2A272J	CHIP R	2.7K J 1/10W
L56			L41-1075-33	SMALL FIXED INDUCTOR(0.01UH)		R56			RK73GB2A223J	CHIP R	22K J 1/10W
						R57			RK73GB2A101J	CHIP R	100 J 1/10W
L57			L92-0131-05	CHIP FERRITE							
L58			L41-1575-33	SMALL FIXED INDUCTOR(0.015UH)		R58			RK73GB2A472J	CHIP R	4.7K J 1/10W
L59 -61			L41-1015-33	SMALL FIXED INDUCTOR(100UH)		R59 ,60			RK73GB2A221J	CHIP R	220 J 1/10W
L62			L34-2034-05	COIL		R61			RK73GB2A472J	CHIP R	4.7K J 1/10W
						R62			RK73GB2A000J	CHIP R	0.0 J 1/10W
X1			L77-1753-05	CRYSTAL RESONATOR(72.6MHZ)		R63			RK73GB2A184J	CHIP R	180K J 1/10W
XF1			L71-0510-05	MCF(73.05MHZ WIDE)		R64			RK73GB2A101J	CHIP R	100 J 1/10W
XF2			L71-0511-05	MCF(73.05MHZ NARROW)		R65			RK73GB2A102J	CHIP R	1.0K J 1/10W
XF3			L71-0527-05	MCF(73.05MHZ WIDE)		R66			RK73GB2A103J	CHIP R	10K J 1/10W
XF4			L71-0528-05	MCF(73.05MHZ NARROW)		R67 ,68			RK73GB2A821J	CHIP R	820 J 1/10W
						R69 ,70			RK73GB2A103J	CHIP R	10K J 1/10W
R1			RK73GB2A105J	CHIP R 1.0M J 1/10W							
R2			RK73GB2A183J	CHIP R 18K J 1/10W		R71			RK73FB2B120J	CHIP R	12 J 1/8W
R3 ,4			RK73GB2A473J	CHIP R 47K J 1/10W		R72			RK73GB2A100J	CHIP R	10 J 1/10W
R5			RK73GB2A000J	CHIP R 0.0 J 1/10W		R73 ,74			RK73GB2A471J	CHIP R	470 J 1/10W
R6			RK73GB2A223J	CHIP R 22K J 1/10W		R75			RK73GB2A000J	CHIP R	0.0 J 1/10W
						R76			RK73GB2A182J	CHIP R	1.8K J 1/10W
R7			RK73GB2A470J	CHIP R 47 J 1/10W							
R8			RK73GB2A000J	CHIP R 0.0 J 1/10W		R77			RK73GB2A470J	CHIP R	47 J 1/10W
R9			RK73GB2A560J	CHIP R 56 J 1/10W		R78			RK73GB2A103J	CHIP R	10K J 1/10W
R10 ,11			RK73GB2A102J	CHIP R 1.0K J 1/10W		R79			RK73GB2A102J	CHIP R	1.0K J 1/10W
R12			RK73GB2A152J	CHIP R 1.5K J 1/10W		R80			RK73GB2A122J	CHIP R	1.2K J 1/10W
						R81			RK73GB2A103J	CHIP R	10K J 1/10W
R13			RK73GB2A182J	CHIP R 1.8K J 1/10W							
R14			RK73GB2A331J	CHIP R 330 J 1/10W	K3	R82			RK73FB2B220J	CHIP R	22 J 1/8W
R14			RK73GB2A470J	CHIP R 47 J 1/10W	K,K2	R83			RK73GB2A000J	CHIP R	0.0 J 1/10W
R15			RK73GB2A182J	CHIP R 1.8K J 1/10W		R84			RK73GB2A103J	CHIP R	10K J 1/10W
R16			RK73GB2A222J	CHIP R 2.2K J 1/10W		R85			RK73GB2A182J	CHIP R	1.8K J 1/10W
						R86			RK73GB2A391J	CHIP R	390 J 1/10W
R18 ,19			RK73GB2A103J	CHIP R 10K J 1/10W							
R20			RK73FB2B100J	CHIP R 10 J 1/8W		R87			RK73GB2A101J	CHIP R	100 J 1/10W
R21			RK73GB2A272J	CHIP R 2.7K J 1/10W		R88			RK73GB2A223J	CHIP R	22K J 1/10W
R22			RK73GB2A102J	CHIP R 1.0K J 1/10W		R89			RK73GB2A103J	CHIP R	10K J 1/10W
R23			RK73FB2B000J	CHIP R 0.0 J 1/8W		R90			RK73GB2A681J	CHIP R	680 J 1/10W
						R91			RK73GB2A101J	CHIP R	100 J 1/10W
R24			RK73GB2A000J	CHIP R 0.0 J 1/10W							
R25			RK73FB2B100J	CHIP R 10 J 1/8W		R92			RK73GB2A681J	CHIP R	680 J 1/10W
R26			RK73GB2A101J	CHIP R 100 J 1/10W		R93			RK73GB2A680J	CHIP R	68 J 1/10W
R27			RK73FB2B000J	CHIP R 0.0 J 1/8W		R94			RK73GB2A101J	CHIP R	100 J 1/10W
R28			RK73GB2A222J	CHIP R 2.2K J 1/10W		R95			RK73GB2A152J	CHIP R	1.5K J 1/10W
						R96			RK73GB2A470J	CHIP R	47 J 1/10W
R30			RK73GB2A101J	CHIP R 100 J 1/10W							
R31			RK73GB2A470J	CHIP R 47 J 1/10W		R97			RK73FB2B220J	CHIP R	22 J 1/8W
R32			RK73GB2A101J	CHIP R 100 J 1/10W		R98			RK73GB2A680J	CHIP R	68 J 1/10W
R33			RK73GB2A000J	CHIP R 0.0 J 1/10W		R99			RK73GB2A152J	CHIP R	1.5K J 1/10W
R34			RK73GB2A392J	CHIP R 3.9K J 1/10W		R100			RK73GB2A470J	CHIP R	47 J 1/10W
						R101			RK73GB2A100J	CHIP R	10 J 1/10W
R35			RK73GB2A470J	CHIP R 47 J 1/10W							
R36			RK73GB2A000J	CHIP R 0.0 J 1/10W		R102			RK73GB2A680J	CHIP R	68 J 1/10W
R37 ,38			RK73FB2B000J	CHIP R 0.0 J 1/8W		R103			RK73GB2A101J	CHIP R	100 J 1/10W
R39			RK73GB2A101J	CHIP R 100 J 1/10W		R104			RK73GB2A100J	CHIP R	10 J 1/10W
R41			RK73GB2A271J	CHIP R 270 J 1/10W	K,K2	R105			RK73GB2A680J	CHIP R	68 J 1/10W
						R106			RK73GB2A222J	CHIP R	2.2K J 1/10W
R41			RK73GB2A471J	CHIP R 470 J 1/10W	K3						
R42 ,43			RK73GB2A000J	CHIP R 0.0 J 1/10W		R107			RK73GB2A564J	CHIP R	560K J 1/10W
R44			RK73GB2A470J	CHIP R 47 J 1/10W		R108			RK73GB2A473J	CHIP R	47K J 1/10W
R45			RK73GB2A103J	CHIP R 10K J 1/10W		R109			RK73GB2A223J	CHIP R	22K J 1/10W
R46			RK73GB2A472J	CHIP R 4.7K J 1/10W		R110			RK73GB2A101J	CHIP R	100 J 1/10W
						R111			RK73GB2A222J	CHIP R	2.2K J 1/10W
R47			RK73GB2A562J	CHIP R 5.6K J 1/10W							
R48			RK73GB2A470J	CHIP R 47 J 1/10W		R112			RK73GB2A223J	CHIP R	22K J 1/10W
R49			RK73GB2A271J	CHIP R 270 J 1/10W	K,K2	R113			RK73GB2A103J	CHIP R	10K J 1/10W
R49			RK73GB2A331J	CHIP R 330 J 1/10W	K3	R114			RK73GB2A394J	CHIP R	390K J 1/10W
R50 ,51			RK73GB2A222J	CHIP R 2.2K J 1/10W		R115			RK73GB2A222J	CHIP R	2.2K J 1/10W
						R116			RK73GB2A272J	CHIP R	2.7K J 1/10W
R52			RK73GB2A104J	CHIP R 100K J 1/10W							



## PARTS LIST

RX UNIT (X55-3110-XX)

Ref. No.	Address	New parts	Parts No.	Description	Destination	Ref. No.	Address	New parts	Parts No.	Description	Destination
R117			RK73GB2A101J	CHIP R 100 J 1/10W		R192			RK73GB2A684J	CHIP R 680K J 1/10W	
R118			RK73GB2A104J	CHIP R 100K J 1/10W		R193			RK73FB2B220J	CHIP R 22 J 1/8W	
R119			RK73GB2A393J	CHIP R 39K J 1/10W		R194			RK73GB2A224J	CHIP R 220K J 1/10W	
R120			RK73EB2E000J	CHIP R 0.0 J 1/4W		R195			RK73GB2A101J	CHIP R 100 J 1/10W	
R121			RK73GB2A104J	CHIP R 100K J 1/10W		R196			RK73GB2A221J	CHIP R 220 J 1/10W	
R122			RK73GB2A101J	CHIP R 100 J 1/10W		R197			RK73GB2A153J	CHIP R 15K J 1/10W	
R123			RK73GB2A681J	CHIP R 680 J 1/10W		R198			RK73GB2A102J	CHIP R 1.0K J 1/10W	
R124			RK73GB2A223J	CHIP R 22K J 1/10W		R199			RK73GB2A392J	CHIP R 3.9K J 1/10W	
R125			RK73GB2A103J	CHIP R 10K J 1/10W		R200			RK73GB2A331J	CHIP R 330 J 1/10W	
R126			RK73GB2A183J	CHIP R 18K J 1/10W		R201			RK73GB2A000J	CHIP R 0.0 J 1/10W	
R127			RK73GB2A681J	CHIP R 680 J 1/10W		R202			RK73GB2A104J	CHIP R 100K J 1/10W	
R128			RK73GB2A680J	CHIP R 68 J 1/10W		R203			RK73GB2A471J	CHIP R 470 J 1/10W	
R129			RK73GB2A152J	CHIP R 1.5K J 1/10W		R204			RK73GB2A101J	CHIP R 100 J 1/10W	
R130			RK73GB2A101J	CHIP R 100 J 1/10W		R205			RK73FB2B220J	CHIP R 22 J 1/8W	
R131			RK73GB2A470J	CHIP R 47 J 1/10W		R206,207			RK73GB2A102J	CHIP R 1.0K J 1/10W	
R132			RK73GB2A103J	CHIP R 10K J 1/10W		R208			RK73GB2A000J	CHIP R 0.0 J 1/10W	
R133			RK73GB2A680J	CHIP R 68 J 1/10W		R209			RK73GB2A560J	CHIP R 56 J 1/10W	
R134			RK73GB2A152J	CHIP R 1.5K J 1/10W		R210			RK73GB2A000J	CHIP R 0.0 J 1/10W	
R135			RK73GB2A103J	CHIP R 10K J 1/10W		R211-213			RK73GB2A102J	CHIP R 1.0K J 1/10W	
R136			RK73GB2A470J	CHIP R 47 J 1/10W		R214			RK73GB2A000J	CHIP R 0.0 J 1/10W	K
R137			RK73GB2A100J	CHIP R 10 J 1/10W		R215			RK73GB2A000J	CHIP R 0.0 J 1/10W	K2
R138			RK73GB2A680J	CHIP R 68 J 1/10W		R216			RK73GB2A000J	CHIP R 0.0 J 1/10W	K3
R139			RK73GB2A223J	CHIP R 22K J 1/10W		R302-304			RK73GB2A101J	CHIP R 100 J 1/10W	
R140			RK73GB2A103J	CHIP R 10K J 1/10W		R380			RK73GB2A102J	CHIP R 1.0K J 1/10W	
R141			RK73FB2B681J	CHIP R 680 J 1/8W		R381-387			RK73GB2A000J	CHIP R 0.0 J 1/10W	
R142			RK73GB2A100J	CHIP R 10 J 1/10W		R390,391			RK73GB2A103J	CHIP R 10K J 1/10W	
R143			RK73GB2A680J	CHIP R 68 J 1/10W		R392			RK73GB2A223J	CHIP R 22K J 1/10W	
R144,145			RK73GB2A101J	CHIP R 100 J 1/10W		R393			RK73GB2A103J	CHIP R 10K J 1/10W	
R146			RK73FB2B681J	CHIP R 680 J 1/8W		R394			RK73GB2A101J	CHIP R 100 J 1/10W	K,K2
R147,148			RK73GB2A473J	CHIP R 47K J 1/10W		R394			RK73GB2A820J	CHIP R 82 J 1/10W	K3
R149,150			RK73GB2A154J	CHIP R 150K J 1/10W		R395			RK73GB2A101J	CHIP R 100 J 1/10W	K3
R151			RK73GB2A222J	CHIP R 2.2K J 1/10W		R395			RK73GB2A680J	CHIP R 68 J 1/10W	K,K2
R152,153			RK73GB2A103J	CHIP R 10K J 1/10W		R396			RK73GB2A101J	CHIP R 100 J 1/10W	K,K2
R154,155			RK73GB2A223J	CHIP R 22K J 1/10W		R396			RK73GB2A820J	CHIP R 82 J 1/10W	K3
R156,157			RK73GB2A332J	CHIP R 3.3K J 1/10W		D1			1SS355	DIODE	
R158			RK73GB2A472J	CHIP R 4.7K J 1/10W		D2 -4			1SV283F	VARIABLE CAPACITANCE DIODE	
R159			RK73GB2A272J	CHIP R 2.7K J 1/10W		D6			1SV283F	VARIABLE CAPACITANCE DIODE	
R160			RK73GB2A472J	CHIP R 4.7K J 1/10W		D9			1SV283F	VARIABLE CAPACITANCE DIODE	
R161			RK73GB2A272J	CHIP R 2.7K J 1/10W		D10			DAN235K	DIODE	
R162			RK73GB2A152J	CHIP R 1.5K J 1/10W		D11			DAN202U	DIODE	
R163			RK73GB2A102J	CHIP R 1.0K J 1/10W		D300			1SS355	DIODE	
R164,165			RK73GB2A473J	CHIP R 47K J 1/10W		IC2			NJM78L05UA-ZB	BI-POLAR IC	
R166			RK73GB2A474J	CHIP R 470K J 1/10W		IC3			BU4094BCFV	MOS-IC	
R167			RK73GB2A224J	CHIP R 220K J 1/10W		IC4			TA7808SQ	BI-POLAR IC	
R168			RK73GB2A122J	CHIP R 1.2K J 1/10W		IC5			NJM2904E-ZB	ANALOGUE IC	
R169			RK73GB2A103J	CHIP R 10K J 1/10W		IC6			BU4053BCF	MOS-IC	
R170			RK73GB2A104J	CHIP R 100K J 1/10W		IC7,8			TA31137FNG	MOS-IC	
R171			RK73GB2A102J	CHIP R 1.0K J 1/10W		IC9			M62364FP-F	MOS-IC	
R172			RK73GB2A684J	CHIP R 680K J 1/10W		IC10			AT24C08A10SU18	ROM IC	
R173,174			RK73GB2A103J	CHIP R 10K J 1/10W		IC11,12			NJM4558E-ZB	ANALOGUE IC	
R175			RK73GB2A224J	CHIP R 220K J 1/10W		IC13			NJM78L08UA-ZB	BI-POLAR IC	
R176-178			RK73GB2A104J	CHIP R 100K J 1/10W		IC14			NJM2904E-ZB	ANALOGUE IC	
R179			RK73FB2B000J	CHIP R 0.0 J 1/8W		IC15			MB1511PFV-GBND	MOS-IC	
R180,181			RK73GB2A102J	CHIP R 1.0K J 1/10W		IC16			NJM78L05UA-ZB	BI-POLAR IC	
R182			RK73FB2B000J	CHIP R 0.0 J 1/8W		IC17			NJM78L08UA-ZB	BI-POLAR IC	
R184			RK73GB2A102J	CHIP R 1.0K J 1/10W		IC18			TC4S81F-F	MOS-IC	
R185			RK73GB2A180J	CHIP R 18 J 1/10W		IC19			TC74HC14AF	MOS-IC	
R186			RK73GB2A102J	CHIP R 1.0K J 1/10W		IC20			AD9835BRUZ	MOS-IC	
R187			RK73GB2A180J	CHIP R 18 J 1/10W		IC21			NJM78L05UA-ZB	BI-POLAR IC	
R188-191			RK73GB2A000J	CHIP R 0.0 J 1/10W							

# TKR-840

## PARTS LIST

RX UNIT (X55-3110-XX)

TX UNIT (X56-3130-XX)

Ref. No.	Address	New parts	Parts No.	Description	Destination	Ref. No.	Address	New parts	Parts No.	Description	Destination
IC22,23 IC301			TC7S66FUF LMX2352TMX/NP	MOS-IC ANALOGUE IC		C11			CK73GB1E103K	CHIP C 0.010UF K	
IC302			LMC7101BIM5	MOS-IC		C12			CC73GCH1H0R5B	CHIP C 0.5PF B	
Q1			2SC3357-A	TRANSISTOR		C13			CK73GB1H471K	CHIP C 470PF K	
Q3			2SC3356-A	TRANSISTOR		C14			CC73GCH1H0R5B	CHIP C 0.5PF B	
Q4			2SC4081(R)	TRANSISTOR		C15,16			CK73GB1H102K	CHIP C 1000PF K	
Q5			2SC3357-A	TRANSISTOR		C17			CC73FCH1H070B	CHIP C 7.0PF B	K2
Q6			2SC4226-A(R24)	TRANSISTOR		C17			CC73FCH1H080B	CHIP C 8.0PF B	K3
Q7			2SC3357-A	TRANSISTOR		C17,18			CC73FCH1H070B	CHIP C 7.0PF B	K
Q8,9			2SK508NV(K53)	FET		C18			CC73FCH1H060B	CHIP C 6.0PF B	K2
Q10			2SC3722K(S)	TRANSISTOR		C19-21			CC73FCH1H070B	CHIP C 7.0PF B	K2
Q12			2SC3722K(S)	TRANSISTOR		C22			CC73FCH1H090B	CHIP C 9.0PF B	K
Q13			DTC114EUA	DIGITAL TRANSISTOR		C22-25			CC73FCH1H150G	CHIP C 15PF G	K3
Q14			2SC4226-A(R24)	TRANSISTOR		C23			CC73FCH1H060B	CHIP C 6.0PF B	K2
Q15			2SC4215-F(Y)	TRANSISTOR		C23			CC73FCH1H070B	CHIP C 7.0PF B	K
Q16			2SB1386(R)	TRANSISTOR		C24			CC73FCH1H100B	CHIP C 10PF B	K2
Q17			2SC3722K(S)	TRANSISTOR		C24			CC73FCH1H110G	CHIP C 11PF G	K
Q18,19			DTC114EUA	DIGITAL TRANSISTOR		C25			CC73FCH1H080B	CHIP C 8.0PF B	K,K2
Q20			2SB1386(R)	TRANSISTOR		C26			CK73GB1H102K	CHIP C 1000PF K	
Q21			2SK508NV(K52)	FET		C27,28			CC73GCH1H0R5B	CHIP C 0.5PF B	
Q22			DTC114EUA	DIGITAL TRANSISTOR		C29		*	C92-0897-05	ELECTRO 470UF 16WV	
Q23			2SC4215-F(Y)	TRANSISTOR		C30			CK73GB1H471K	CHIP C 470PF K	
Q24,25			2SC3357-A	TRANSISTOR		C31			CK73GB1H103K	CHIP C 0.010UF K	
Q26			2SC4081(R)	TRANSISTOR		C32			CS77AB21C220M	CHIP TNTL 22UF 16WV	
Q27			2SC4215-F(Y)	TRANSISTOR		C33			CK73GB1H471K	CHIP C 470PF K	
Q28			2SC4081(R)	TRANSISTOR		C34			CK73GB1H103K	CHIP C 0.010UF K	
Q29			DTC114EUA	DIGITAL TRANSISTOR		C35,36			CC73GCH1H040C	CHIP C 4.0PF C	
Q30			2SC4215-F(Y)	TRANSISTOR		C37			CK73GB1H471K	CHIP C 470PF K	
Q31,32			2SC3357-A	TRANSISTOR		C38			CC73GCH1H040C	CHIP C 4.0PF C	K2
Q33			2SC4215-F(Y)	TRANSISTOR		C38			CC73GCH1H050C	CHIP C 5.0PF C	K
Q34,35		*	2SJ106-F(GR)	FET		C38			CC73GCH1H060D	CHIP C 6.0PF D	K3
Q36-38			DTC114EUA	DIGITAL TRANSISTOR		C39			CK73GB1H471K	CHIP C 470PF K	
Q39			2SC4081(R)	TRANSISTOR		C40			CS77AB21C220M	CHIP TNTL 22UF 16WV	
Q40,41			2SK1824-A	FET		C41			CK73FB1E104K	CHIP C 0.10UF K	
TH1,2			157-302-65801	THERMISTOR		C42			CK73GB1H103K	CHIP C 0.010UF K	
A1			W02-1940-05	DBM		C43			CC73GCH1H040C	CHIP C 4.0PF C	
<b>TX UNIT (X56-3130-XX) -10:K, -11:K2, -12:K3</b>						C44			CC73GCH1H020C	CHIP C 2.0PF C	
D50,51 D52			B30-2130-05 B30-2048-05	LED(YG) LED		C45			CS77AB21C220M	CHIP TNTL 22UF 16WV	
C1,2			CK73GB1H102K	CHIP C 1000PF	K	C46			CK73FB1E104K	CHIP C 0.10UF K	
C3,4			CK73GB1H471K	CHIP C 470PF	K	C47			CK73GB1H103K	CHIP C 0.010UF K	
C5			CC73FCH1H100B	CHIP C 10PF B	K3	C49			CC73GCH1H020C	CHIP C 2.0PF C	
C5,6			CC73FCH1H060B	CHIP C 6.0PF B	K2	C50			CK73GB1H471K	CHIP C 470PF K	
C5,6			CC73FCH1H070B	CHIP C 7.0PF B	K	C51			CC73GCH1H100D	CHIP C 10PF D	K,K2
C6			CC73FCH1H090B	CHIP C 9.0PF B	K3	C51			CC73GCH1H110J	CHIP C 11PF J	K3
C7			CC73FCH1H080B	CHIP C 8.0PF B	K2	C52			CK73GB1H102K	CHIP C 1000PF K	
C7			CC73FCH1H150G	CHIP C 15PF G	K	C53-55			CK73GB1H471K	CHIP C 470PF K	
C7			CC73FCH1H160J	CHIP C 16PF J	K3	C56		*	CC73GCH1H070D	CHIP C 7.0PF D	
C8			CC73FCH1H040B	CHIP C 4.0PF B	K,K2	C57			CS77BA0J100M	CHIP TNTL 10UF 6.3WV	
C8			CC73FCH1H080B	CHIP C 8.0PF B	K3	C58-60			CK73GB1H471K	CHIP C 470PF K	
C9			CC73FCH1H080B	CHIP C 8.0PF B	K2	C61			CK73GB1H102K	CHIP C 1000PF K	
C9			CC73FCH1H150G	CHIP C 15PF G	K,K3	C62,63			CK73GB1H471K	CHIP C 470PF K	
C10			CC73FCH1H040B	CHIP C 4.0PF B	K2	C64,65			CC73GCH1H151J	CHIP C 150PF J	
C10			CC73FCH1H050B	CHIP C 5.0PF B	K	C66			CK73GB1H102K	CHIP C 1000PF K	
C10			CC73FCH1H080B	CHIP C 8.0PF B	K3	C70			CS77AA1C100M	CHIP TNTL 10UF 16WV	
						C71-73			CK73GB1H103K	CHIP C 0.010UF K	
						C77			CK73GB1H103K	CHIP C 0.010UF K	
						C78			CK73GB1H152K	CHIP C 1500PF K	
						C79			CC73FCH1H751J	CHIP C 750PF J	

## PARTS LIST

TX UNIT (X56-3130-XX)

Ref. No.	Address	New parts	Parts No.	Description	Destination	Ref. No.	Address	New parts	Parts No.	Description	Destination
C80			CS77AA1A100M	CHIP TNTL 10UF 10WV		C225			CK73GB1H102K	CHIP C 1000PF K	
C82			CC73GCH1H100D	CHIP C 10PF D		C231			CC73GCH1H470J	CHIP C 47PF J	
C83-86			CK73GB1H102K	CHIP C 1000PF K		C232			CK73GB1H471K	CHIP C 470PF K	
C87			CS77CA1C3R3M	CHIP TNTL 3.3UF 16WV		C233			CC73GCH1H060D	CHIP C 6.0PF D	
C100			CC73GCH1H070D	CHIP C 7.0PF D		C234			CC73GCH1H120J	CHIP C 12PF J	
C101			CK73GB1H103K	CHIP C 0.010UF K		C235			CC73GCH1H060D	CHIP C 6.0PF D	
C102			CS77CA1V0R1M	CHIP TNTL 0.1UF 35WV		C236	*		C92-0868-05	CHIP TNTL 1UF 16WV	
C103,104			CK73GB1H103K	CHIP C 0.010UF K		C237-239			CK73GB1H102K	CHIP C 1000PF K	
C105			CK73GB1H102K	CHIP C 1000PF K		C240			CS77AA1A100M	CHIP TNTL 10UF 10WV	
C106			CK73GB1H471K	CHIP C 470PF K		C241			CK73GB1H102K	CHIP C 1000PF K	
C107			CS77CA1A3R3M	CHIP TNTL 3.3UF 10WV		C242			CC73GCH1H100D	CHIP C 10PF D	
C108,109			CK73GB1H102K	CHIP C 1000PF K		C243			CK73GB1H102K	CHIP C 1000PF K	
C110			CK73GB1H103K	CHIP C 0.010UF K		C244			CS77AA1A100M	CHIP TNTL 10UF 10WV	
C111			CS77AA1V0R1M	CHIP TNTL 0.1UF 35WV		C245			CK73GB1H103K	CHIP C 0.010UF K	
C112			CK73GB1H102K	CHIP C 1000PF K		C246			CC73GCH1H271J	CHIP C 270PF J	
C113			CC73GCH1H020C	CHIP C 2.0PF C		C247			CS77BA1C010M	CHIP TNTL 1UF 16WV	
C114-116			CK73GB1H103K	CHIP C 0.010UF K		C248			CK73GB1H102K	CHIP C 1000PF K	
C118			CK73GB1H102K	CHIP C 1000PF K		C249			CC73GCH1H330J	CHIP C 33PF J	
C119			CC73GCH1H470J	CHIP C 47PF J		C250			CK73GB1H103K	CHIP C 0.010UF K	
C123			CK73FB1E104K	CHIP C 0.10UF K		C251-253			CK73GB1H102K	CHIP C 1000PF K	
C124			CS77AB21A470M	CHIP TNTL 47UF 10WV		C254			CC73GCH1H101J	CHIP C 100PF J	
C125,126			CK73GB1H103K	CHIP C 0.010UF K		C255,256			CK73GB1H102K	CHIP C 1000PF K	
C127			CS77AB21A470M	CHIP TNTL 47UF 10WV		C257			CC73GCH1H221J	CHIP C 220PF J	
C128			CK73FB1E104K	CHIP C 0.10UF K		C258,259			CK73GB1H103K	CHIP C 0.010UF K	
C130			CK73GB1H103K	CHIP C 0.010UF K		C260,261			CC73GCH1H100D	CHIP C 10PF D	
C131			CS77AA1A100M	CHIP TNTL 10UF 10WV		C262			CK73GB1H103K	CHIP C 0.010UF K	
C132			CK73GB1H102K	CHIP C 1000PF K		C263			CC73GCH1H220J	CHIP C 22PF J	
C133			CS77AA1A100M	CHIP TNTL 10UF 10WV		C264			CC73GCH1H560J	CHIP C 56PF J	
C134			CK73GB1H102K	CHIP C 1000PF K		C265			CK73GB1C104K	CHIP C 0.10UF K	
C135			CS77AA1A100M	CHIP TNTL 10UF 10WV		C266,267			CK73GB1E223K	CHIP C 0.022UF K	
C136			CS77BA0J470M	CHIP TNTL 47UF 6.3WV		C268			CS77AA1A100M	CHIP TNTL 10UF 10WV	
C138			CS77BA0J470M	CHIP TNTL 47UF 6.3WV		C269,270			CK73GB1H103K	CHIP C 0.010UF K	
C139			CS77BA1C010M	CHIP TNTL 1UF 16WV		C271			CK73GB1H471K	CHIP C 470PF K	
C140			CK73GB1H103K	CHIP C 0.010UF K		C272			CC73GCH1H470J	CHIP C 47PF J	
C141			CK73GB1H102K	CHIP C 1000PF K		C274			CK73FB1E104K	CHIP C 0.10UF K	
C144			CK73GB1H102K	CHIP C 1000PF K		C275			CK73GB1H102K	CHIP C 1000PF K	
C145			CK73GB1H103K	CHIP C 0.010UF K		C277			CC73GCH1H560J	CHIP C 56PF J	
C147			CK73FB1E104K	CHIP C 0.10UF K		C278-281			CK73GB1H102K	CHIP C 1000PF K	
C165,166			CC73GCH1H101J	CHIP C 100PF J		C282			CK73GB1H103K	CHIP C 0.010UF K	
C168			CS77AB21C220M	CHIP TNTL 22UF 16WV		C283			CC73GCH1H271J	CHIP C 270PF J	
C169			CK73GB1H103K	CHIP C 0.010UF K		C284			CK73GB1H103K	CHIP C 0.010UF K	
C170			CK73FB1E104K	CHIP C 0.10UF K		C285			CC73GCH1H330J	CHIP C 33PF J	
C173			CK73GB1H103K	CHIP C 0.010UF K		C286			CC73GCH1H151J	CHIP C 150PF J	
C174			CS77AB21A470M	CHIP TNTL 47UF 10WV		C287			CC73GCH1H101J	CHIP C 100PF J	
C175			CK73FB1E104K	CHIP C 0.10UF K		C288			CK73GB1H102K	CHIP C 1000PF K	
C186			CK73GB1C104K	CHIP C 0.10UF K		C289			CC73GCH1H220J	CHIP C 22PF J	
C201		*	CS77AA0J150M	CHIP TNTL 15UF 6.3WV		C290			CC73GCH1H100D	CHIP C 10PF D	
C203			CK73GB1H103K	CHIP C 0.010UF K		C291			CK73GB1H102K	CHIP C 1000PF K	
C206,207			CC73GCH1H271J	CHIP C 270PF J		C292			CK73GB1H103K	CHIP C 0.010UF K	
C208			CS77AA1A100M	CHIP TNTL 10UF 10WV		C293			CK73GB1H102K	CHIP C 1000PF K	
C209			CS77AA1E010M	CHIP TNTL 1.0UF 25WV		C294			C92-1358-05	CHIP TNTL 2.2UF 16WV	
C210			CC73GCH1H820J	CHIP C 82PF J		C295			CC73GCH1H221J	CHIP C 220PF J	
C211			CK73GB1H102K	CHIP C 1000PF K		C296,297			CC73GCH1H100C	CHIP C 10PF C	
C212			CC73FCH1H151J	CHIP C 150PF J		C298			CK73GB1H102K	CHIP C 1000PF K	
C213			CK73GB1H103K	CHIP C 0.010UF K		C299			CK73GB1H103K	CHIP C 0.010UF K	
C214			CC73GCH1H100D	CHIP C 10PF D		C301		*	C92-0899-05	ELECTRO 330UF 25WV	
C215,216			CK73GB1H103K	CHIP C 0.010UF K		C302,303			CK73GB1H102K	CHIP C 1000PF K	
C218,219			CC73GCH1H101J	CHIP C 100PF J		C304			CK73GB1H471K	CHIP C 470PF K	
C220			CK73GB1H103K	CHIP C 0.010UF K		C305			CK73GB1E103K	CHIP C 0.010UF K	
C221-224			CC73GCH1H271J	CHIP C 270PF J		C306			CC73GCH1H0R5B	CHIP C 0.5PF B	

# TKR-840

## PARTS LIST

### TX UNIT (X56-3130-XX)

Ref. No.	Address	New parts	Parts No.	Description	Destination	Ref. No.	Address	New parts	Parts No.	Description	Destination
C307			CM73F2H020C	CHIP C 2.0PF C	K	CN2		*	E40-6727-05	FLAT CABLE CONNECTOR	
C307			CM73F2H030D	CHIP C 3.0PF D	K2	CN3		*	E40-6724-05	FLAT CABLE CONNECTOR	
C308		*	C92-0899-05	ELECTRO 330UF 25WV		CN101,102			E04-0409-15	RF COAXIAL RECEPTACLE(SMB)	
C309			CK73GB1E103K	CHIP C 0.010UF K		CN103,104			E41-2735-05	PIN ASSY	
C310			CK73FB1E104K	CHIP C 0.10UF K							
C311			CE32CL1C470M	CHIP EL 47UF 16WV		CN301			E04-0408-15	RF COAXIAL RECEPTACLE(SMB)	
C312			CM73F2H070D	CHIP C 7.0PF D	K2	CN302		*	E40-6727-05	FLAT CABLE CONNECTOR	
C312			CM73F2H080D	CHIP C 8.0PF D	K	CN304,305			E41-2735-05	PIN ASSY	
C312			CM73F2H100D	CHIP C 10PF D	K3	CN306,307			E23-0902-05	TERMINAL	
C313,314			CK73GB1H102K	CHIP C 1000PF K		CN308			E04-0408-15	RF COAXIAL RECEPTACLE(SMB)	
C315			CM73F2H090D	CHIP C 9.0PF D	K2	CN502		*	E41-2714-05	PIN ASSY	
C315			CM73F2H100D	CHIP C 10PF D	K	J402			J13-0071-05	FUSE HOLDER	
C315			CM73F2H150J	CHIP C 15PF J	K3						
C316			CM73F2H070D	CHIP C 7.0PF D	K2	CF1			L72-1029-05	CERAMIC FILTER	
C316			CM73F2H080D	CHIP C 8.0PF D	K,K3						
C317		*	C92-0899-05	ELECTRO 330UF 25WV		L1 ,2			L41-1095-33	SMALL FIXED INDUCTOR(1.0UH)	
C318			CK73GB1H102K	CHIP C 1000PF K		L3			L40-1075-92	SMALL FIXED INDUCTOR(10NH)	
C319-322			CK73GB1H471K	CHIP C 470PF K		L5 ,6			L34-4545-05	AIR-CORE COIL	
C323-328			CK73GB1H102K	CHIP C 1000PF K		L7 -10			L41-1095-33	SMALL FIXED INDUCTOR(1.0UH)	
C329			CK73GB1H103K	CHIP C 0.010UF K		L11 ,12			L40-2275-92	SMALL FIXED INDUCTOR(22NH)	
C330,331			CK73GB1H102K	CHIP C 1000PF K		L13			L40-1075-92	SMALL FIXED INDUCTOR(10NH)	
C332,333			CK73FB1E104K	CHIP C 0.10UF K		L14 ,15			L40-2275-92	SMALL FIXED INDUCTOR(22NH)	
C334			CS77AA1ER47M	CHIP TNL 0.47UF 25WV	K2	L18 ,19			L41-1095-33	SMALL FIXED INDUCTOR(1.0UH)	
C334			CS77AA1VR22M	CHIP TNL 0.22UF 35WV	K,K3	L101,102			L41-1095-33	SMALL FIXED INDUCTOR(1.0UH)	
C335			CK73GB1H102K	CHIP C 1000PF K		L103-105			L41-1015-33	SMALL FIXED INDUCTOR(100UH)	
C339			CK73GB1H102K	CHIP C 1000PF K		L106			L41-1095-33	SMALL FIXED INDUCTOR(1.0UH)	
C340			CK73FB1E104K	CHIP C 0.10UF K		L201			L41-4785-33	SMALL FIXED INDUCTOR(0.47UH)	
C341-344			CK73GB1H102K	CHIP C 1000PF K		L203			L41-1595-33	SMALL FIXED INDUCTOR(1.5UH)	
C345			CS77AA1DR68M	CHIP TNL 0.68UF 20WV		L204			L41-1015-33	SMALL FIXED INDUCTOR(100UH)	
C346			CK73FB1E104K	CHIP C 0.10UF K		L205,206			L41-4785-33	SMALL FIXED INDUCTOR(0.47UH)	
C348-350			CK73GB1H102K	CHIP C 1000PF K		L207			L41-1095-33	SMALL FIXED INDUCTOR(1.0UH)	
C351			CS77BA1C010M	CHIP TNL 1UF 16WV		L209,210			L41-1015-33	SMALL FIXED INDUCTOR(100UH)	
C352			CK73GB1H102K	CHIP C 1000PF K		L240-242			L41-1015-33	SMALL FIXED INDUCTOR(100UH)	
C353			C93-0603-05	CHIP C 1000PF K		L243			L41-1005-33	SMALL FIXED INDUCTOR(10UH)	
C354			CK73GB1H102K	CHIP C 1000PF K		L244,245			L40-1875-92	SMALL FIXED INDUCTOR(18NH)	K,K2
C355			CK73FB1E104K	CHIP C 0.10UF K		L244,245			L40-2275-92	SMALL FIXED INDUCTOR(22NH)	K3
C357			CK73FB1E104K	CHIP C 0.10UF K		L246			L41-1005-33	SMALL FIXED INDUCTOR(10UH)	
C358			CK73GB1H102K	CHIP C 1000PF K		L247			L41-1015-33	SMALL FIXED INDUCTOR(100UH)	
C421			CK73GB1C104K	CHIP C 0.10UF K		L248			L41-4785-33	SMALL FIXED INDUCTOR(0.47UH)	
C501,502			CK73GB1H471K	CHIP C 470PF K		L301			L34-1113-05	AIR-CORE COIL	
C504			CK73GB1H471K	CHIP C 470PF K		L302,303			L34-1039-05	AIR-CORE COIL	
C505			CK73GB1C104K	CHIP C 0.10UF K		L304			L79-0558-05	FILTER	
C506			CK73GB1H471K	CHIP C 470PF K		L305			L34-4523-05	AIR-CORE COIL	
C508			CK73GB1H471K	CHIP C 470PF K		L306			L92-0179-05	CHIP FERRITE	
C510			CK73GB1C104K	CHIP C 0.10UF K		L307			L41-1005-33	SMALL FIXED INDUCTOR(10UH)	
C511,512			CK73GB1H471K	CHIP C 470PF K		X101		*	L77-1735-25	TCXO(20MHZ)	
C529			CK73GB1H471K	CHIP C 470PF K		X201			L77-1748-05	CRYSTAL RESONATOR	
C533			CK73GB1H471K	CHIP C 470PF K		XF210,211			L71-0529-05	MCF(20MHZ)	
C584			CK73GB1H471K	CHIP C 470PF K		R1 ,2			RK73GB2A000J	CHIP R 0.0 J 1/10W	
C586,587			CK73GB1H471K	CHIP C 470PF K		R3 ,4			RK73GB2A473J	CHIP R 47K J 1/10W	
C588			CK73GB1C104K	CHIP C 0.10UF K		R5 ,6			RK73GB2A104J	CHIP R 100K J 1/10W	
C589			CK73GB1H471K	CHIP C 470PF K		R7			RK73GB2A154J	CHIP R 150K J 1/10W	K3
C591,592			CK73GB1H471K	CHIP C 470PF K		R7			RK73GB2A683J	CHIP R 68K J 1/10W	K
C593			CK73GB1C104K	CHIP C 0.10UF K		R7			RK73GB2A823J	CHIP R 82K J 1/10W	K2
C594,595			CK73GB1H103K	CHIP C 0.010UF K		R8			RK73GB2A104J	CHIP R 100K J 1/10W	K3
C596			CC73GCH1H470J	CHIP C 47PF J		R8			RK73GB2A473J	CHIP R 47K J 1/10W	K,K2
TC1 ,2			C05-0393-05	CERAMIC TRIMMER CAPACITOR(8PF)		R9			RK73GB2A000J	CHIP R 0.0 J 1/10W	
CN1			E04-0409-15	RF COAXIAL RECEPTACLE(SMB)		R10 ,11			RK73GB2A101J	CHIP R 100 J 1/10W	
						R12			RK73GB2A000J	CHIP R 0.0 J 1/10W	

## PARTS LIST

TX UNIT (X56-3130-XX)

Ref. No.	Address	New parts	Parts No.	Description	Destination	Ref. No.	Address	New parts	Parts No.	Description	Destination
R13			RK73GB2A181J	CHIP R 180 J 1/10W		R100			RK73GB2A103J	CHIP R 10K J 1/10W	
R14			RK73GB2A103J	CHIP R 10K J 1/10W		R101			RK73GB2A105J	CHIP R 1.0M J 1/10W	
R15			RK73GB2A221J	CHIP R 220 J 1/10W		R102			RK73GB2A473J	CHIP R 47K J 1/10W	
R16			RK73GB2A103J	CHIP R 10K J 1/10W		R105			RK73GB2A182J	CHIP R 1.8K J 1/10W	
R17			RK73GB2A473J	CHIP R 47K J 1/10W		R106			RK73GB2A101J	CHIP R 100 J 1/10W	
R18			RK73GB2A103J	CHIP R 10K J 1/10W		R107			RK73GB2A471J	CHIP R 470 J 1/10W	
R19			RK73GB2A221J	CHIP R 220 J 1/10W	K,K3	R108			RK73GB2A183J	CHIP R 18K J 1/10W	
R19			RK73GB2A470J	CHIP R 47 J 1/10W	K2	R109			RK73FB2B000J	CHIP R 0.0 J 1/8W	
R20			RK73GB2A103J	CHIP R 10K J 1/10W		R112			RK73GB2A183J	CHIP R 18K J 1/10W	
R21			RK73GB2A470J	CHIP R 47 J 1/10W		R113,114			RK73GB2A222J	CHIP R 2.2K J 1/10W	
R22			RK73GB2A103J	CHIP R 10K J 1/10W		R115			RK73GB2A101J	CHIP R 100 J 1/10W	
R23			RK73GB2A183J	CHIP R 18K J 1/10W		R117			RK73GB2A101J	CHIP R 100 J 1/10W	
R24			RK73GB2A101J	CHIP R 100 J 1/10W		R118,119			RK73GB2A103J	CHIP R 10K J 1/10W	
R25			RK73GB2A472J	CHIP R 4.7K J 1/10W		R120			RK73GB2A102J	CHIP R 1.0K J 1/10W	
R26			RK73GB2A220J	CHIP R 22 J 1/10W		R121			RK73GB2A000J	CHIP R 0.0 J 1/10W	
R27			RK73GB2A101J	CHIP R 100 J 1/10W		R122			RK73GB2A101J	CHIP R 100 J 1/10W	
R28			RK73GB2A103J	CHIP R 10K J 1/10W		R123			RK73GB2A103J	CHIP R 10K J 1/10W	
R29			RK73GB2A183J	CHIP R 18K J 1/10W		R124			RK73GB2A222J	CHIP R 2.2K J 1/10W	
R30			RK73GB2A103J	CHIP R 10K J 1/10W		R129			RK73GB2A102J	CHIP R 1.0K J 1/10W	
R31			RK73GB2A101J	CHIP R 100 J 1/10W		R130			RK73GB2A331J	CHIP R 330 J 1/10W	
R32			RK73GB2A471J	CHIP R 470 J 1/10W		R131			RK73GB2A102J	CHIP R 1.0K J 1/10W	
R33			RK73GB2A103J	CHIP R 10K J 1/10W		R132			RK73GB2A124J	CHIP R 120K J 1/10W	
R34			RK73GB2A222J	CHIP R 2.2K J 1/10W		R133			RK73GB2A104J	CHIP R 100K J 1/10W	
R35			RK73GB2A182J	CHIP R 1.8K J 1/10W		R137			RK73GB2A103J	CHIP R 10K J 1/10W	
R36			RK73GB2A472J	CHIP R 4.7K J 1/10W		R138			RK73GB2A123J	CHIP R 12K J 1/10W	
R37			RK73GB2A122J	CHIP R 1.2K J 1/10W	K3	R139			RK73GB2A103J	CHIP R 10K J 1/10W	
R37			RK73GB2A392J	CHIP R 3.9K J 1/10W	K,K2	R140			RK73GB2A124J	CHIP R 120K J 1/10W	
R38			RK73GB2A822J	CHIP R 8.2K J 1/10W		R141			RK73GB2A102J	CHIP R 1.0K J 1/10W	
R39			RK73GB2A471J	CHIP R 470 J 1/10W		R142			RK73GB2A104J	CHIP R 100K J 1/10W	
R40			RK73GB2A101J	CHIP R 100 J 1/10W	K,K2	R143			RK73GB2A473J	CHIP R 47K J 1/10W	
R40 ,41			RK73GB2A101J	CHIP R 100 J 1/10W	K3	R144			RK73GB2A334J	CHIP R 330K J 1/10W	
R41			RK73GB2A152J	CHIP R 1.5K J 1/10W	K,K2	R145,146			RK73GB2A101J	CHIP R 100 J 1/10W	
R42			RK73GB2A471J	CHIP R 470 J 1/10W		R147			RK73GB2A102J	CHIP R 1.0K J 1/10W	
R43			RK73GB2A221J	CHIP R 220 J 1/10W		R151			RK73GB2A151J	CHIP R 150 J 1/10W	K3
R44			RK73GB2A681J	CHIP R 680 J 1/10W		R151			RK73GB2A271J	CHIP R 270 J 1/10W	K
R45			RK73FB2B100J	CHIP R 10 J 1/8W		R152			RK73GB2A000J	CHIP R 0.0 J 1/10W	K2
R46			RK73PB2H470J	CHIP R 47 J 1/2W		R152			RK73GB2A180J	CHIP R 18 J 1/10W	K
R47			RK73GB2A222J	CHIP R 2.2K J 1/10W		R152			RK73GB2A390J	CHIP R 39 J 1/10W	K3
R48			RK73GB2A103J	CHIP R 10K J 1/10W		R153			RK73GB2A151J	CHIP R 150 J 1/10W	K3
R49			RK73GB2A123J	CHIP R 12K J 1/10W		R153			RK73GB2A271J	CHIP R 270 J 1/10W	K
R50			RK73GB2A471J	CHIP R 470 J 1/10W		R155			RK73GB2A101J	CHIP R 100 J 1/10W	
R51 ,52			RK73GB2A331J	CHIP R 330 J 1/10W		R180,181			RK73GB2A000J	CHIP R 0.0 J 1/10W	
R55 ,56			RK73GB2A102J	CHIP R 1.0K J 1/10W		R182			RK73GB2A472J	CHIP R 4.7K J 1/10W	
R57			RK73GB2A471J	CHIP R 470 J 1/10W		R183			RK73GB2A224J	CHIP R 220K J 1/10W	
R61			RK73GB2A471J	CHIP R 470 J 1/10W		R184			RK73GB2A153J	CHIP R 15K J 1/10W	
R62			RK73GB2A104J	CHIP R 100K J 1/10W		R185			RK73GB2A103J	CHIP R 10K J 1/10W	
R63			RK73GB2A101J	CHIP R 100 J 1/10W		R186			RK73GB2A472J	CHIP R 4.7K J 1/10W	
R64			RK73GB2A471J	CHIP R 470 J 1/10W		R190			RK73GB2A183J	CHIP R 18K J 1/10W	
R65			RK73GB2A474J	CHIP R 470K J 1/10W		R191,192			RK73GB2A101J	CHIP R 100 J 1/10W	
R67			RK73GB2A124J	CHIP R 120K J 1/10W		R202			RK73GB2A000J	CHIP R 0.0 J 1/10W	
R68 -70			RK73GB2A473J	CHIP R 47K J 1/10W		R203			RK73GB2A273J	CHIP R 27K J 1/10W	
R71			RK73GB2A474J	CHIP R 470K J 1/10W		R204			RK73GB2A183J	CHIP R 18K J 1/10W	
R72			RK73GB2A101J	CHIP R 100 J 1/10W		R205			RK73GB2A473J	CHIP R 47K J 1/10W	
R73			RK73GB2A104J	CHIP R 100K J 1/10W		R206			RK73GB2A474J	CHIP R 470K J 1/10W	
R74			RK73GB2A221J	CHIP R 220 J 1/10W		R208			RK73GB2A104J	CHIP R 100K J 1/10W	
R77			RK73GB2A471J	CHIP R 470 J 1/10W		R209			RK73GB2A103J	CHIP R 10K J 1/10W	
R78 ,79			RK73GB2A331J	CHIP R 330 J 1/10W		R210			RK73GB2A000J	CHIP R 0.0 J 1/10W	
R89			RK73GB2A222J	CHIP R 2.2K J 1/10W		R211			RK73GB2A474J	CHIP R 470K J 1/10W	
R90			RK73GB2A000J	CHIP R 0.0 J 1/10W		R212			RK73GB2A471J	CHIP R 470 J 1/10W	
						R213			RK73GB2A101J	CHIP R 100 J 1/10W	

# TKR-840

## PARTS LIST

### TX UNIT (X56-3130-XX)

Ref. No.	Address	New parts	Parts No.	Description	Destination	Ref. No.	Address	New parts	Parts No.	Description	Destination
R214			RK73GB2A821J	CHIP R 820 J 1/10W		R318			RK73GB2A103J	CHIP R 10K J 1/10W	K3
R215			RK73GB2A124J	CHIP R 120K J 1/10W		R319			RK73GB2A683J	CHIP R 68K J 1/10W	
R216			RK73GB2A104J	CHIP R 100K J 1/10W		R320			RK73GB2A104J	CHIP R 100K J 1/10W	K2,K3
R217			RK73GB2A221J	CHIP R 220 J 1/10W		R320			RK73GB2A224J	CHIP R 220K J 1/10W	K
R218			RK73GB2A471J	CHIP R 470 J 1/10W		R321			RK73GB2A473J	CHIP R 47K J 1/10W	
R219			RK73GB2A103J	CHIP R 10K J 1/10W		R322			RK73GB2A103J	CHIP R 10K J 1/10W	
R220			RK73GB2A473J	CHIP R 47K J 1/10W		R323			RK73GB2A102J	CHIP R 1.0K J 1/10W	
R221			RK73GB2A560J	CHIP R 56 J 1/10W		R324			RK73GB2A472J	CHIP R 4.7K J 1/10W	
R224			RK73GB2A223J	CHIP R 22K J 1/10W		R325			RK73GB2A562J	CHIP R 5.6K J 1/10W	
R225			RK73GB2A103J	CHIP R 10K J 1/10W		R326			RK73GB2A103J	CHIP R 10K J 1/10W	
R226			RK73GB2A124J	CHIP R 120K J 1/10W		R328			RK73FB2B151J	CHIP R 150 J 1/8W	
R227			RK73GB2A473J	CHIP R 47K J 1/10W		R329			RK73GB2A103J	CHIP R 10K J 1/10W	
R228			RK73GB2A104J	CHIP R 100K J 1/10W		R330			RK73GB2A123J	CHIP R 12K J 1/10W	
R240			RK73GB2A101J	CHIP R 100 J 1/10W		R331			RK73GB2A273J	CHIP R 27K J 1/10W	K3
R241,242			RK73GB2A473J	CHIP R 47K J 1/10W		R331			RK73GB2A393J	CHIP R 39K J 1/10W	K2
R243			RK73GB2A103J	CHIP R 10K J 1/10W		R331			RK73GB2A473J	CHIP R 47K J 1/10W	K
R244			RK73GB2A392J	CHIP R 3.9K J 1/10W		R332			RK73GB2A184J	CHIP R 180K J 1/10W	K3
R245			RK73GB2A101J	CHIP R 100 J 1/10W		R332			RK73GB2A683J	CHIP R 68K J 1/10W	K,K2
R247			RK73GB2A101J	CHIP R 100 J 1/10W		R333			RK73GB2A103J	CHIP R 10K J 1/10W	K,K2
R249			RK73GB2A473J	CHIP R 47K J 1/10W		R333			RK73GB2A473J	CHIP R 47K J 1/10W	K3
R250			RK73GB2A221J	CHIP R 220 J 1/10W		R334			RK73GB2A103J	CHIP R 10K J 1/10W	K3
R251,252			RK73GB2A101J	CHIP R 100 J 1/10W		R334			RK73GB2A104J	CHIP R 100K J 1/10W	K,K2
R253			RK73GB2A102J	CHIP R 1.0K J 1/10W		R335			RK73GB2A102J	CHIP R 1.0K J 1/10W	
R254			RK73GB2A000J	CHIP R 0.0 J 1/10W		R337			RK73FB2B272J	CHIP R 2.7K J 1/8W	
R257,258			RK73PB2H271J	CHIP R 270 J 1/2W	K,K2	R340			RK73GB2A102J	CHIP R 1.0K J 1/10W	
R257,258			RK73PB2H471J	CHIP R 470 J 1/2W	K3	R341			RK73GB2A103J	CHIP R 10K J 1/10W	
R259			RK73PB2H120J	CHIP R 12 J 1/2W	K3	R342			RK73GB2A472J	CHIP R 4.7K J 1/10W	
R259			RK73PB2H180J	CHIP R 18 J 1/2W	K,K2	R343			RK73FB2B102J	CHIP R 1.0K J 1/8W	
R260			RK73GB2A183J	CHIP R 18K J 1/10W		R344			RK73GB2A472J	CHIP R 4.7K J 1/10W	
R262			RK73GB2A101J	CHIP R 100 J 1/10W		R345			RK73GB2A473J	CHIP R 47K J 1/10W	
R263			RK73GB2A473J	CHIP R 47K J 1/10W		R346			RK73FB2B102J	CHIP R 1.0K J 1/8W	
R264-266			RK73GB2A273J	CHIP R 27K J 1/10W		R347			RK73GB2A103J	CHIP R 10K J 1/10W	
R267			RK73GB2A103J	CHIP R 10K J 1/10W		R348			RK73FB2B392J	CHIP R 3.9K J 1/8W	
R268			RK73GB2A153J	CHIP R 15K J 1/10W		R349			RK73GB2A223J	CHIP R 22K J 1/10W	K,K2
R269			RK73GB2A102J	CHIP R 1.0K J 1/10W		R349			RK73GB2A224J	CHIP R 220K J 1/10W	K3
R270,271			RK73PB2H221J	CHIP R 220 J 1/2W		R350			RK73GB2A473J	CHIP R 47K J 1/10W	
R272			RK73GB2A103J	CHIP R 10K J 1/10W		R354-356			RK73GB2A473J	CHIP R 47K J 1/10W	K3
R273			RK73GB2A473J	CHIP R 47K J 1/10W		R354,355			RK73GB2A473J	CHIP R 47K J 1/10W	K,K2
R274			RK73GB2A101J	CHIP R 100 J 1/10W		R356			RK73GB2A104J	CHIP R 100K J 1/10W	K,K2
R275			RK73GB2A330J	CHIP R 33 J 1/10W		R357			RK73GB2A102J	CHIP R 1.0K J 1/10W	
R300			RK73GB2A102J	CHIP R 1.0K J 1/10W		R358			RK73GB2A123J	CHIP R 12K J 1/10W	
R301			RK73GB2A473J	CHIP R 47K J 1/10W	K	R359			RK73FB2B101J	CHIP R 100 J 1/8W	K3
R301			RK73GB2A563J	CHIP R 56K J 1/10W	K2	R359			RK73FB2B181J	CHIP R 180 J 1/8W	K2
R301			RK73GB2A822J	CHIP R 8.2K J 1/10W	K3	R359			RK73FB2B331J	CHIP R 330 J 1/8W	K
R303			RK73FB2B122J	CHIP R 1.2K J 1/8W	K3	R360			RK73FB2B122J	CHIP R 1.2K J 1/8W	K3
R303			RK73FB2B182J	CHIP R 1.8K J 1/8W	K,K2	R360			RK73FB2B182J	CHIP R 1.8K J 1/8W	K,K2
R304			RK73FB2B120J	CHIP R 12 J 1/8W	K,K2	R361			RK73FB2B120J	CHIP R 12 J 1/8W	K,K2
R304			RK73FB2B180J	CHIP R 18 J 1/8W	K3	R361			RK73FB2B180J	CHIP R 18 J 1/8W	K3
R305			RK73FB2B122J	CHIP R 1.2K J 1/8W	K3	R362			RK73FB2B122J	CHIP R 1.2K J 1/8W	K3
R305			RK73FB2B182J	CHIP R 1.8K J 1/8W	K,K2	R362			RK73FB2B182J	CHIP R 1.8K J 1/8W	K,K2
R306			RK73GB2A103J	CHIP R 10K J 1/10W		R400			RK73GB2A103J	CHIP R 10K J 1/10W	
R308			RK73FB2B102J	CHIP R 1.0K J 1/8W		R403			RK73GB2A154J	CHIP R 150K J 1/10W	
R310			RK73PB2H221J	CHIP R 220 J 1/2W		R410			RK73GB2A103J	CHIP R 10K J 1/10W	
R311			RK73GB2A473J	CHIP R 47K J 1/10W		R501-507			RK73GB2A101J	CHIP R 100 J 1/10W	
R312			RK73PB2H221J	CHIP R 220 J 1/2W		R509			RK73GB2A102J	CHIP R 1.0K J 1/10W	
R313			RK73GB2A102J	CHIP R 1.0K J 1/10W		R510-513			RK73GB2A000J	CHIP R 0.0 J 1/10W	
R314			RK73GB2A473J	CHIP R 47K J 1/10W		R515-517			RK73GB2A000J	CHIP R 0.0 J 1/10W	
R315			RK73GB2A102J	CHIP R 1.0K J 1/10W		R580			RK73GB2A102J	CHIP R 1.0K J 1/10W	
R316-318			RK73GB2A473J	CHIP R 47K J 1/10W	K,K2	R581-585			RK73GB2A000J	CHIP R 0.0 J 1/10W	
R316,317			RK73GB2A473J	CHIP R 47K J 1/10W	K3	R587			RK73GB2A000J	CHIP R 0.0 J 1/10W	

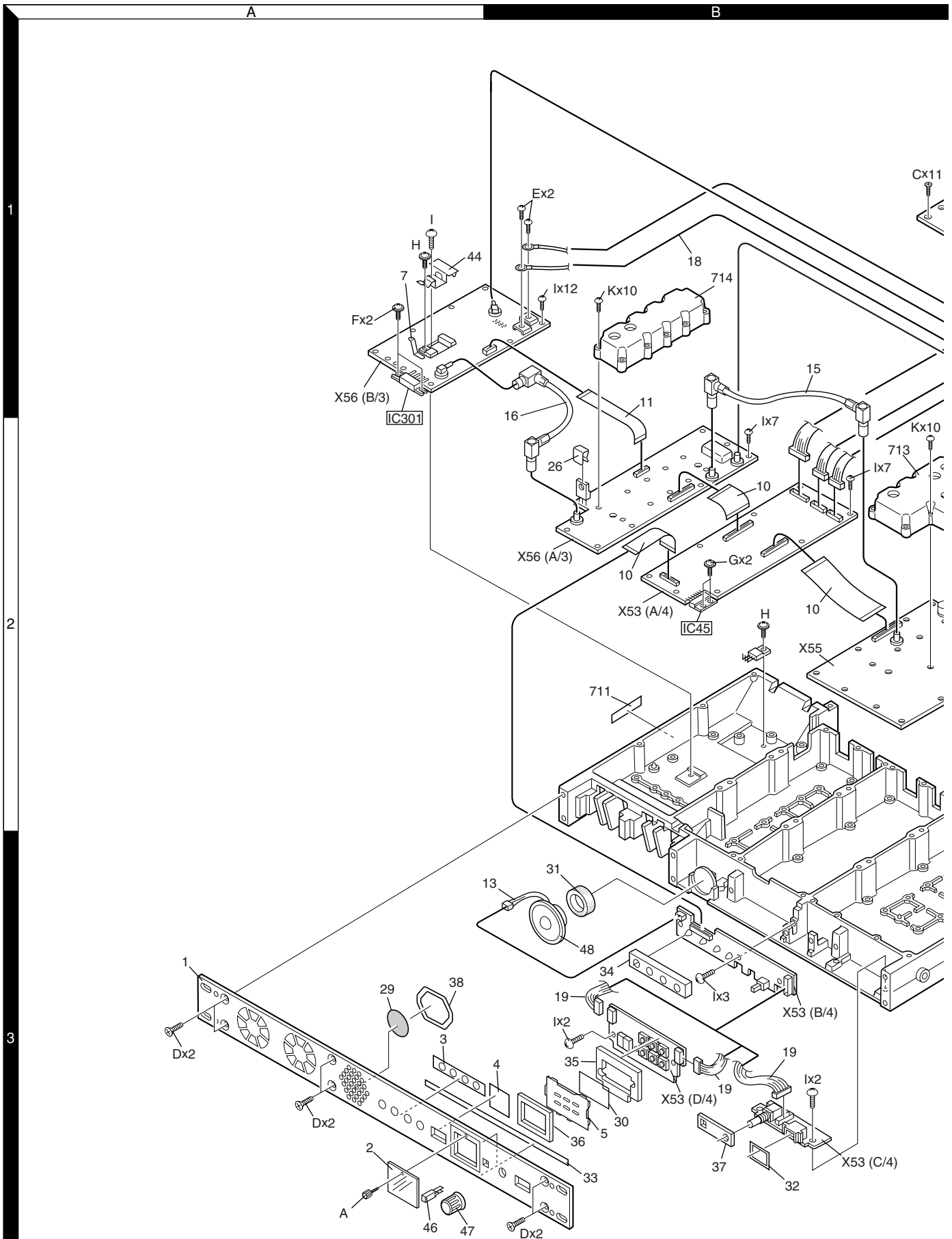
## PARTS LIST

TX UNIT (X56-3130-XX)

Ref. No.	Address	New parts	Parts No.	Description	Destination	Ref. No.	Address	New parts	Parts No.	Description	Destination
R589			RK73GB2A000J	CHIP R 0.0 J 1/10W		Q5			2SK1824-A	FET	
R590,591			RK73GB2A103J	CHIP R 10K J 1/10W		Q6			2SC4226-A(R24)	TRANSISTOR	
R592			RK73GB2A153J	CHIP R 15K J 1/10W		Q7			2SC3722K(S)	TRANSISTOR	
R593			RK73GB2A103J	CHIP R 10K J 1/10W		Q8			DTC114EUA	DIGITAL TRANSISTOR	
R600			RK73GB2A000J	CHIP R 0.0 J 1/10W	K	Q9			2SC4226-A(R24)	TRANSISTOR	
R601			RK73GB2A000J	CHIP R 0.0 J 1/10W	K2	Q10			DTC144EUA	DIGITAL TRANSISTOR	
R602			RK73GB2A000J	CHIP R 0.0 J 1/10W	K3	Q11			2SB1386(R)	TRANSISTOR	
R610			RK73GB2A000J	CHIP R 0.0 J 1/10W	K	Q12			DTC114EUA	DIGITAL TRANSISTOR	
R611			RK73GB2A000J	CHIP R 0.0 J 1/10W	K2	Q13		*	2SC4093-A(R27)	TRANSISTOR	
R612			RK73GB2A000J	CHIP R 0.0 J 1/10W	K3	Q14			2SC3357-A	TRANSISTOR	
R620			RK73GB2A000J	CHIP R 0.0 J 1/10W		Q15		*	2SK302-F(Y)	FET	
TS301			S79-0401-05	THERMAL SWITCH		Q17 ,18			2SK1824-A	FET	
D1 -6			1SV283F	VARIABLE CAPACITANCE DIODE		Q21			UMC5	TRANSISTOR	
D7		*	1SV128-F	DIODE		Q22			2SK1824-A	FET	
D8			DA204U	DIODE		Q102			2SC4215-F(Y)	TRANSISTOR	
D11 ,12			1SS355	DIODE		Q106			2SC4215-F(Y)	TRANSISTOR	
D101		*	1SV128-F	DIODE		Q107			2SC4226-A(R24)	TRANSISTOR	
D103		*	1SV128-F	DIODE		Q108,109			2SC4215-F(Y)	TRANSISTOR	
D201-203			1SV283F	VARIABLE CAPACITANCE DIODE		Q110			UMC5	TRANSISTOR	
D205			HSM88AS-E	DIODE		Q112,113			2SK1824-A	FET	
D206			MINISMDC07502F	VARISTOR		Q114			DTA114EUA	DIGITAL TRANSISTOR	
D207			1SS355	DIODE		Q115			2SC4215-F(Y)	TRANSISTOR	
D303			ERZV14D220	SURGE ABSORBER		Q201,202			2SC4215-F(Y)	TRANSISTOR	
D304			1SS355	DIODE		Q203			2SK1824-A	FET	
D305			DSM3MA1-RPB	DIODE		Q205			2SC4215-F(Y)	TRANSISTOR	
D306-308			HSM88AS-E	DIODE		Q206			2SK1824-A	FET	
D310			MINISMDC07502F	VARISTOR		Q207			DTC114EUA	DIGITAL TRANSISTOR	
D312		*	02C212(X,Y)F	ZENER DIODE		Q240-242			2SC4215-F(Y)	TRANSISTOR	
D317,318			1SS355	DIODE		Q301			2SC4081(R)	TRANSISTOR	
D500			MINISMDE190F	VARISTOR		Q302		*	IMH5A	TRANSISTOR	
D503			1SS355	DIODE		Q304		*	IMH5A	TRANSISTOR	
IC1			TA7808SQ	BI-POLAR IC		Q305			DTC114EUA	DIGITAL TRANSISTOR	
IC2			NJM78L08UA-ZB	BI-POLAR IC		Q306			2SB951A(Q)	TRANSISTOR	
IC3			M62364FP-F	MOS-IC		Q307			FMW1	TRANSISTOR	
IC4			BU4094BCFV	MOS-IC		Q308			UMC5	TRANSISTOR	
IC5			TC74HC14AF	MOS-IC		Q309			2SB951A(Q)	TRANSISTOR	
IC100			TA75S01F-F	MOS-IC		Q310			FMW1	TRANSISTOR	
IC102			TA75S01F-F	MOS-IC		Q311-313			DTC114EUA	DIGITAL TRANSISTOR	
IC103			NJM78L05UA-ZB	BI-POLAR IC		TH1 ,2			157-302-65801	THERMISTOR	
IC105			NJM4558E-ZB	ANALOGUE IC		TH301,302			157-503-53006	THERMISTOR	
IC106			AT24C08A10SU18	ROM IC							
IC107			NJM4558E-ZB	ANALOGUE IC							
IC108			NJM78L08UA-ZB	BI-POLAR IC							
IC109			NJM2904E-ZB	ANALOGUE IC							
IC110			NJM78L05UA-ZB	BI-POLAR IC							
IC200			TC4S81F-F	MOS-IC							
IC202			AD9835BRUZ	MOS-IC							
IC203			NJM2904E-ZB	ANALOGUE IC							
IC204		*	NJM2903M-ZB	MOS-IC							
IC205			NJM78L05UA-ZB	BI-POLAR IC							
IC301			RA07M4047M-01	MOS-IC(POWER MODULE)	K3						
IC301		*	RA07M4452M101	MOS-IC(POWER MODULE)	K,K2						
IC302,303		*	OP291GSZ	BI-POLAR IC							
IC304			TC4W66F	MOS-IC							
IC305			LMC7101BIM5	MOS-IC							
IC500,501			LMX2352TMX/NP	ANALOGUE IC							
Q1 ,2			2SK508NV(K52)	FET							
Q3 ,4			2SC3722K(S)	TRANSISTOR							

If a part reference number is listed in a shaded box, that part does not come with the PCB.

## EXPLODED VIEW

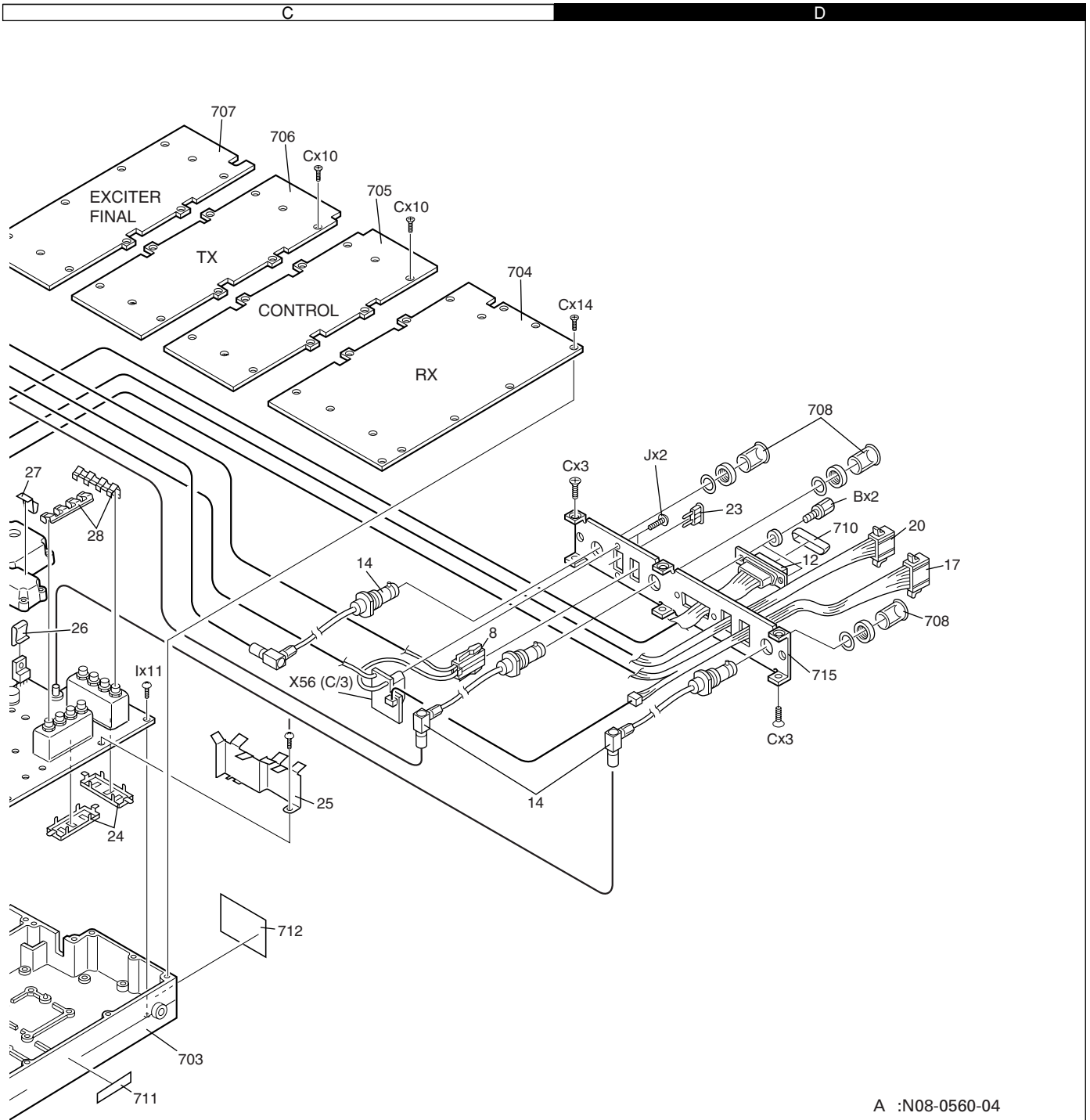


24 Parts with the exploded numbers larger than 700 are not supplied.

If a part reference number is listed in a box on the exploded view of the PCB, that part does not come with the PCB. These parts must be ordered separately.

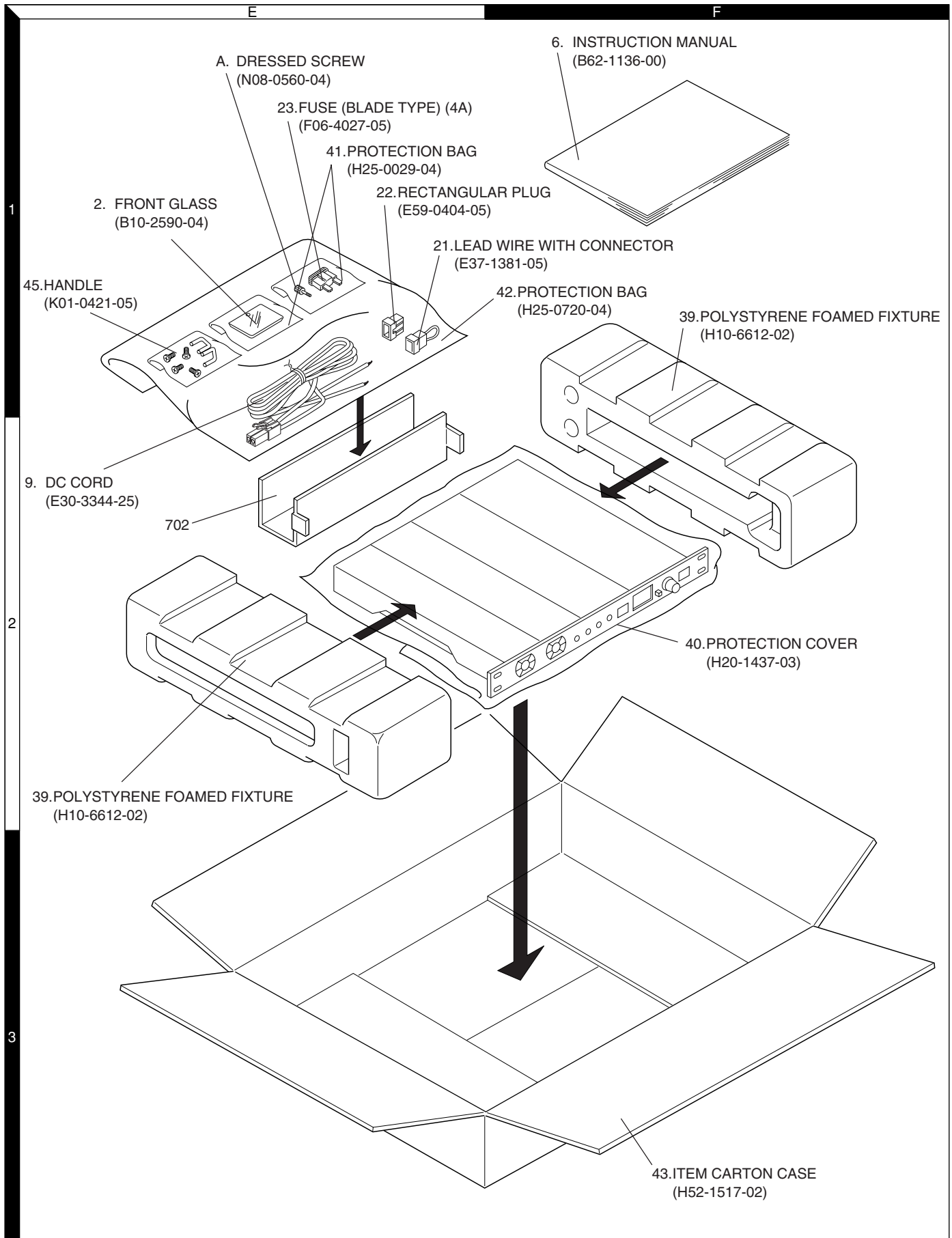


## EXPLODED VIEW



- A :N08-0560-04
- B :N09-2292-05
- C :N32-3005-43
- D :N32-4008-43
- E :N35-3006-48
  
- F :N67-2606-48
- G :N67-3006-48
- H :N67-3008-43
- I :N87-2606-48
- J :N87-2608-48
  
- K :N87-2616-48

## PACKING



## SEMICONDUCTOR DATA

## MAIN CPU : 30622M4-103GPU (CONTROL UNIT IC17)

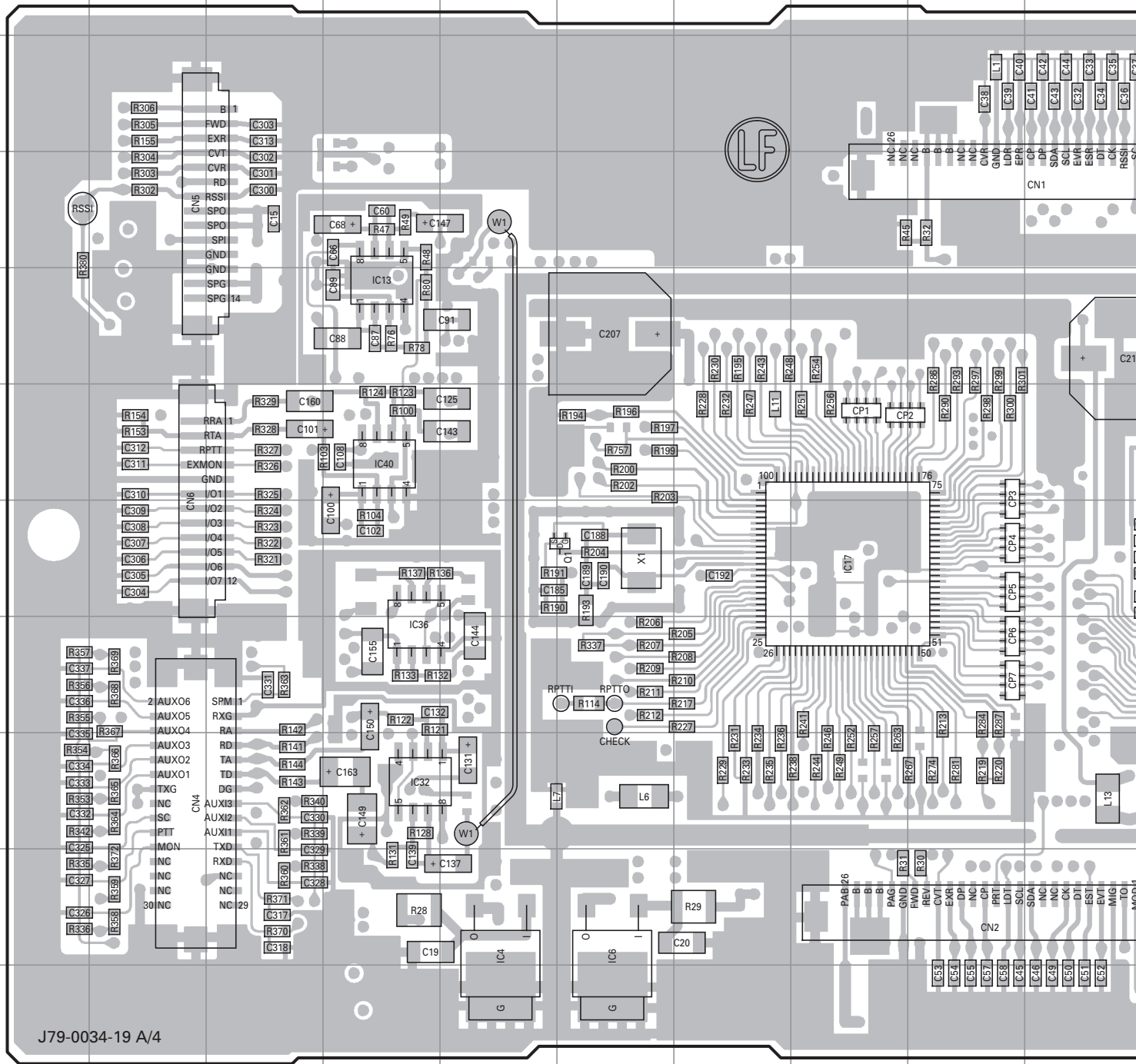
## ■ Pin function

Pin No.	Port name	I/O	Function
1	HSDO	O	High speed data output
2	LSDO	O	Low speed data output
3	P92	I	PLL select (H:New PLL, L:Old PLL)
4	IACK	I	DSP IDMA Acknowledge input
5	EPR	O	RX PLL data strobe output
6	BYTE	I	+5V
7	CNVss	I	GND
8	PAG	O	Digital pager signal output
9	LDR	I	RX PLL lock detect input
10	RESET	I	Microcomputer reset input
11	Xout	-	14.745MHz (system clock)
12	Vss	-	GND
13	Xin	-	14.745MHz (system clock)
14	Vcc	-	+5V
15	NMI	-	Not used
16	MDAT	I	Not used
17	TEST	I	Test switch input
18	MAIN	I	Main/Sub CPU select input (H:Sub,L:Main)
19	CK	O	Common data output
20	DT	O	Common clock output
21	MON	I	Monitor switch input
22	SC	I	Squelch control input
23	RPTT	I	Remote PTT input
24	AUXI2	I	Auxiliary input 2
25	CHECK	-	Check port
26	PTT	I	PTT switch input
27,28	PC0,1	-	Not used
29	TXD1	O	Serial interface output 1 (ex. PC)
30	RXD1	I	Serial interface input 1 (ex. PC)
31	SCL	O	Serial EEPROM clock output
32	SDA	I/O	Serial EEPROM data input/output
33	TXD	O	Serial interface output 0 (ex. PC)
34	RXD	I	Serial interface input 0 (ex. PC)
35	CP	O	PLL clock output
36	DP	O	PLL data output
37	RDY	I	CPU ready input
38	ALE	-	Not used
39	HOLD	-	Not used

Pin No.	Port name	I/O	Function
40	HLDA	-	Not used
41	BCLK	O	Sub CPU clock output
42	RD	O	Flash memory/Sub CPU RD bus
43	BHE	-	Not used
44	WR	O	Flash memory/Sub CPU WR bus
45	LDT	I	TX PLL lock detect input
46	SRST	O	Sub CPU reset output
47	CS1	O	Sub CPU chip select
48	CS0	O	Flash memory chip select
49	A19	O	Not used
50~59	A18~9	O	Flash memory address bus
60	Vcc	-	+5V
61	A8	O	Flash memory address bus
62	Vss	-	GND
63~70	A7~0	O	Flash memory/Sub CPU address bus
71	IWR	O	DSP IDMA write output
72	IRD	O	DSP IDMA read output
73	IAL	O	DSP IDMA address latch output
74	IS	O	DSP IDMA select output
75	PF3	O	DSP RX mute control output
76	PF2	-	Not used
77	PF1	O	DSP modulation control output
78	PF0	-	Not used
79~86	D7~0	I/O	Flash memory/Sub CPU data bus
87	AN7	I	Forward power voltage input
88	AN6	I	Reverse power voltage input
89	AN5	I	TX VCO voltage input
90	AN4	I	RX VCO voltage input
91	AN3	I	RSSI level input
92	AN2	I	Power supply voltage input
93	AUXI1	I	Auxiliary input 1
94	Avss	-	GND
95	AUXI3	I	Auxiliary input 3
96	Vref	I	+5V
97	Avcc	I	GND
98	IRQ2	O	DSP interrupt request output
99	PF6	O	DSP Mic mute control output
100	PF5	O	DSP TX/RX control output

# TKR-840 PC BOARD

CONTROL UNIT (X53-4210-10) (A/4)  
Component side view (J79-0034-19 A/4)

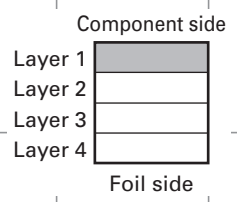
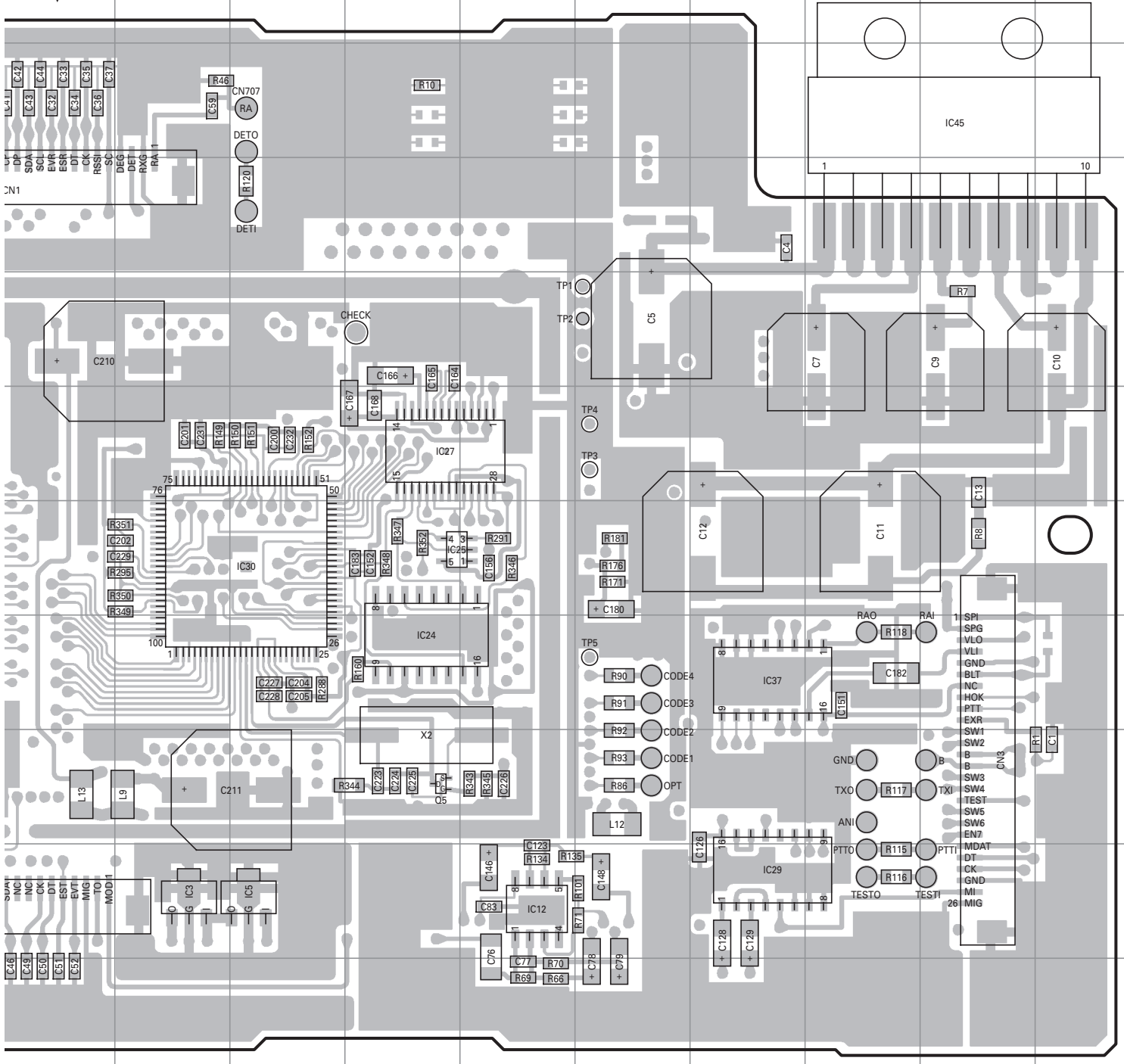


J79-0034-19 A/4

Ref. No.	Address	Ref. No.	Address	Ref. No.	Address
IC3	10K	IC24	8M	IC37	8P
IC4	10E	IC25	7M	IC40	6D
IC5	10L	IC27	6M	IC45	3R
IC6	10F	IC29	10P	Q1	7F
IC12	10N	IC30	7L	Q5	9M
IC13	5D	IC32	9D		
IC17	7H	IC36	8D		

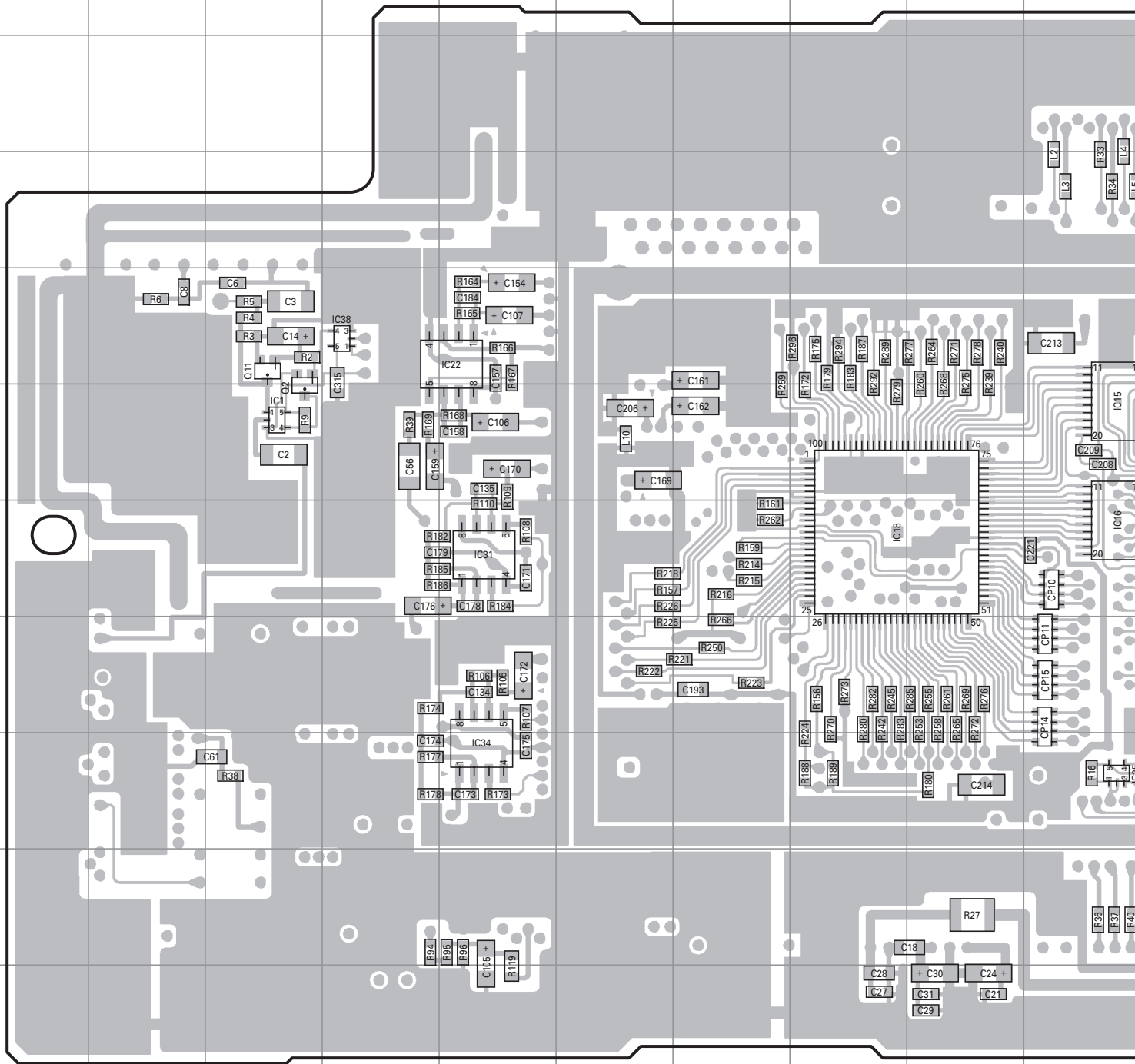
# PC BOARD TKR-840

## CONTROL UNIT (X53-4210-10) (A/4) Component side view (J79-0034-19 A/4)



# TKR-840 PC BOARD

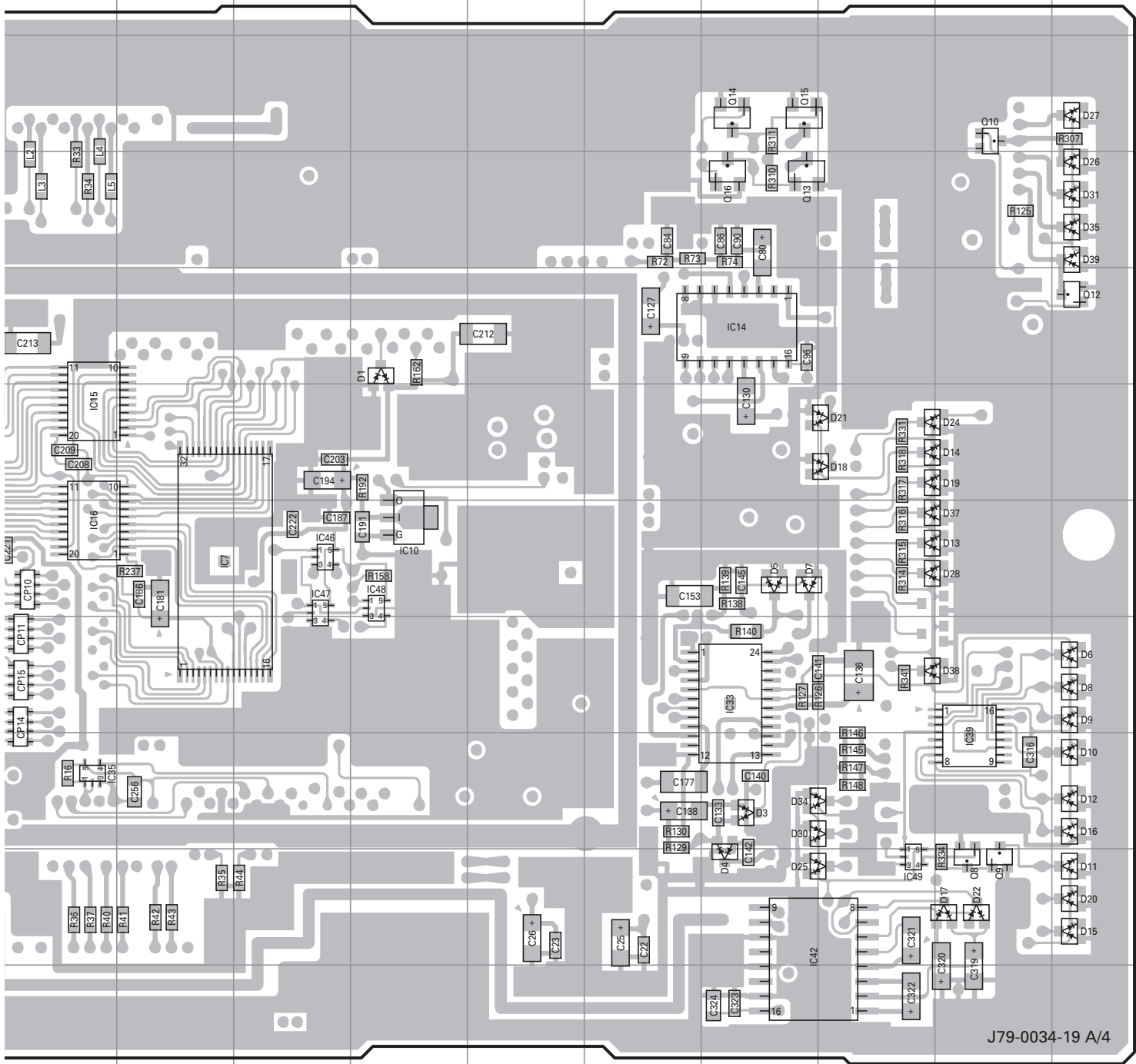
**CONTROL UNIT (X53-4210-10) (A/4)**  
**Foil side view (J79-0034-19 A/4)**



Ref. No.	Address	Ref. No.	Address	Ref. No.	Address	Ref. No.	Address	Ref. No.	Address	Ref. No.	Address	Ref. No.	Address	Ref. No.
IC1	6C	IC22	5E	IC42	10P	Q9	10R	Q16	4P	D8	8S	D15	10S	D22
IC7	7K	IC31	7E	IC46	7L	Q10	3R	D1	5M	D9	8S	D16	9S	D24
IC10	7M	IC33	8P	IC47	7L	Q11	5C	D3	9P	D10	9S	D17	10R	D25
IC14	5P	IC34	9E	IC48	7M	Q12	5S	D4	10P	D11	10S	D18	6Q	D26
IC15	6J	IC35	9J	IC49	10Q	Q13	4P	D5	7P	D12	9S	D19	6Q	D27
IC16	7J	IC38	5D	Q2	6C	Q14	3P	D6	8S	D13	7Q	D20	10S	D28
IC18	7H	IC39	9R	Q8	10R	Q15	3P	D7	7P	D14	6Q	D21	6Q	D30

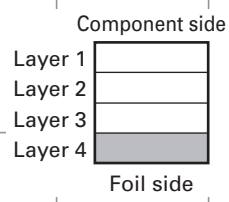
# PC BOARD TKR-840

CONTROL UNIT (X53-4210-10) (A/4)  
Foil side view (J79-0034-19 A/4)



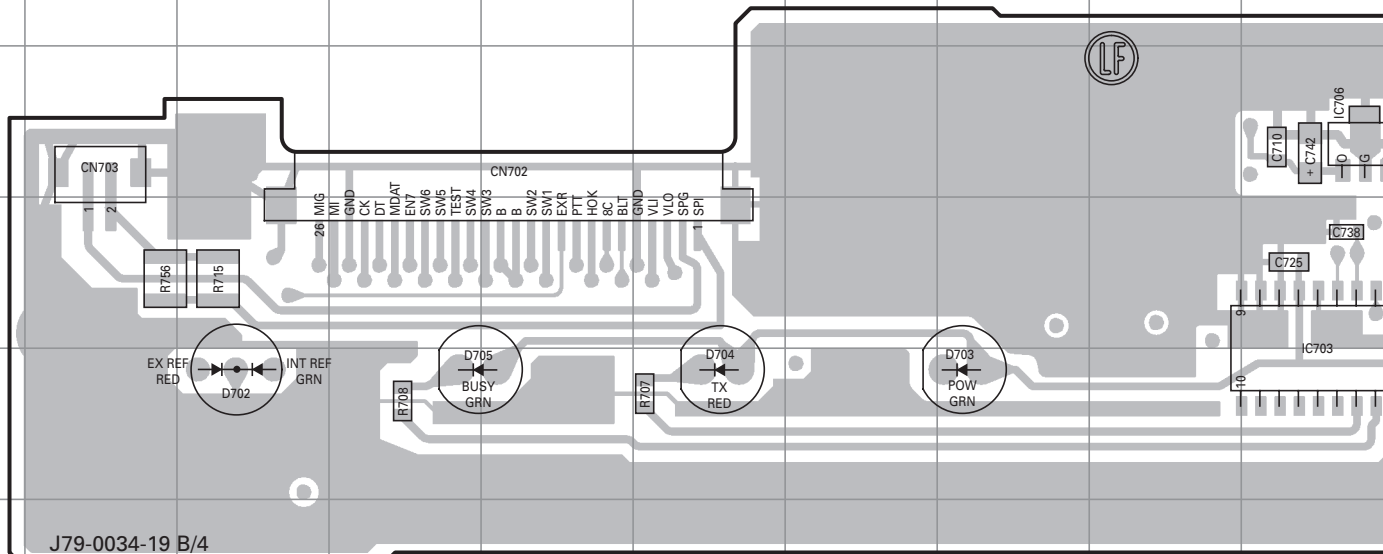
J79-0034-19 A/4

Iress	Ref. No.	Address	Ref. No.	Address
JS	D22	10R	D31	4S
S	D24	6Q	D34	9P
JR	D25	10P	D35	4S
Q	D26	4S	D37	7Q
Q	D27	3S	D38	8Q
JS	D28	7Q	D39	4S
Q	D30	9P		



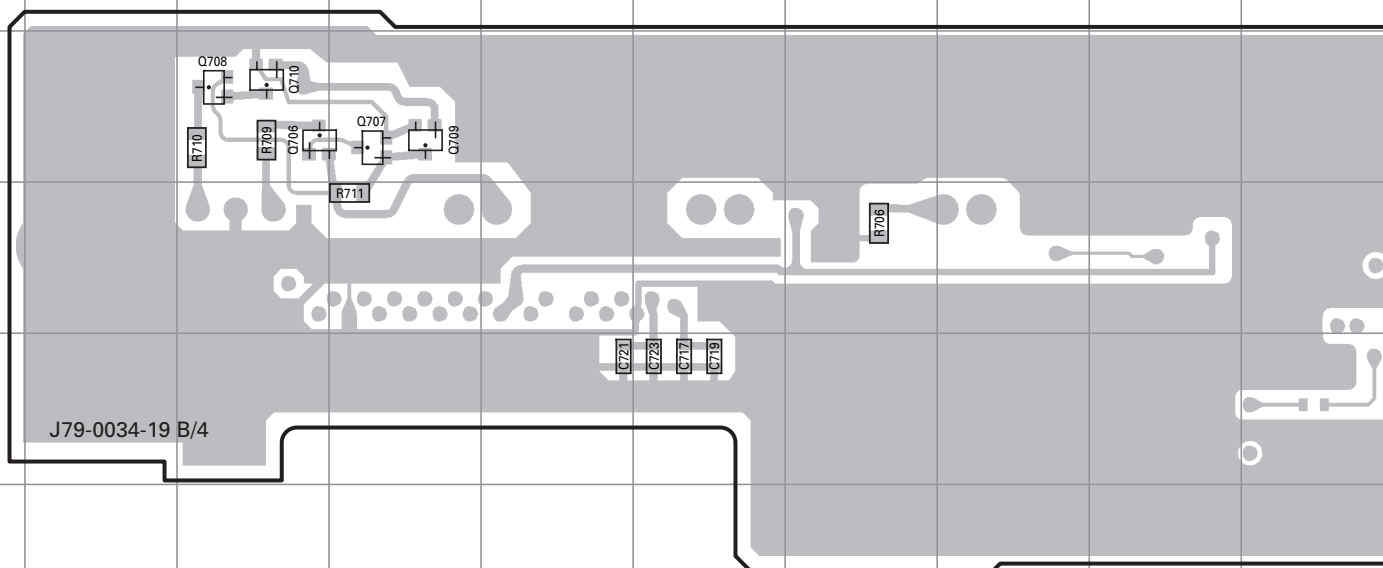
# TKR-840 PC BOARD

## CONTROL UNIT (X53-4210-10) (B/4) Component side view (J79-0034-19 B/4)



Ref. No.	Address	Ref. No.	Address
IC23	3O	D703	5H
IC703	4J	D704	5F
IC706	3J	D705	5D
D702	5C	D710	4M

## CONTROL UNIT (X53-4210-10) (B/4) Foil side view (J79-0034-19 B/4)

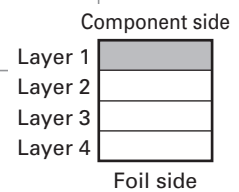
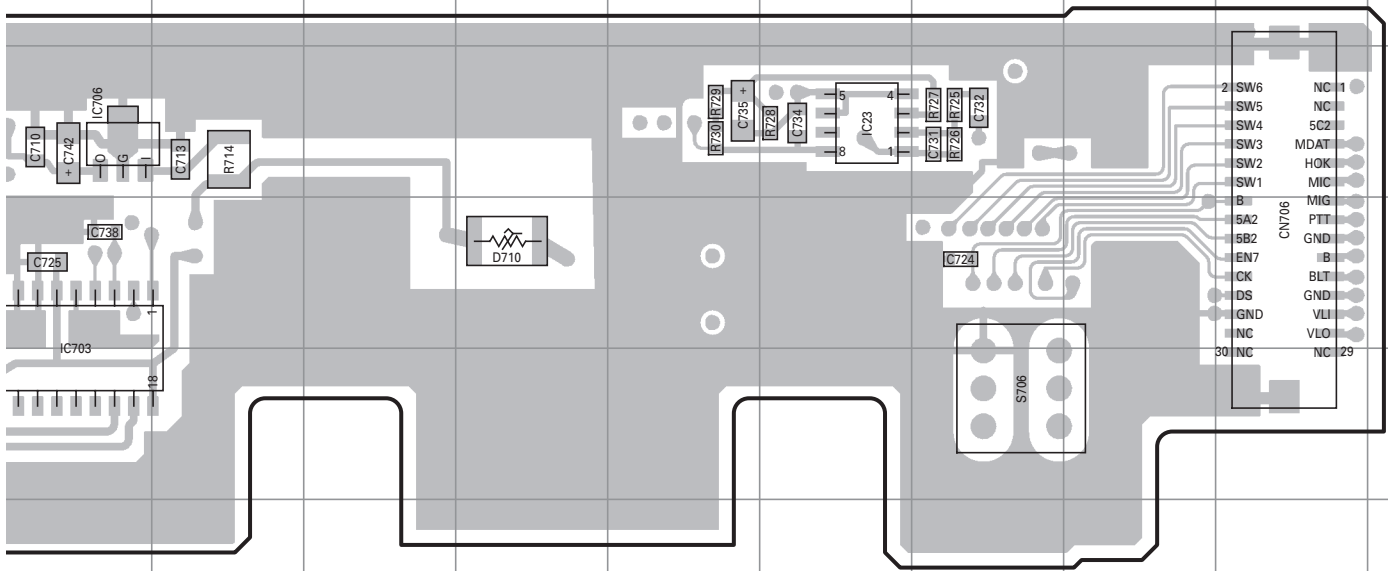


Ref. No.	Address	Ref. No.	Address	Ref. No.	Address	Ref. No.	Address
IC704	10N	Q706	9C	Q710	9C	D709	11O
IC705	11N	Q707	9D	D706	11R	D711	11R
Q700	11P	Q708	9C	D707	11O	D712	10R
Q701	11P	Q709	9D	D708	11R		

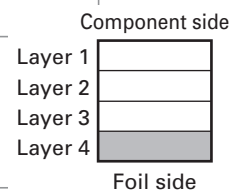
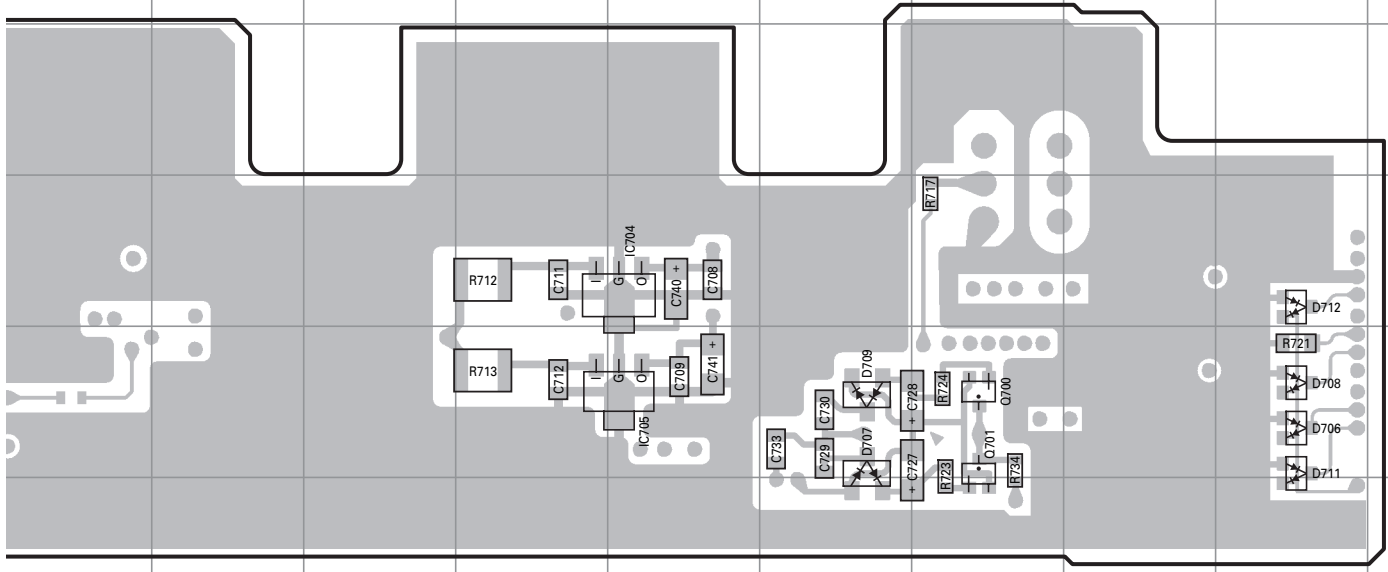


# PC BOARD TKR-840

**CONTROL UNIT (X53-4210-10) (B/4)**  
**Component side view (J79-0034-19 B/4)**

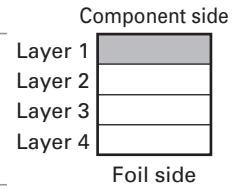
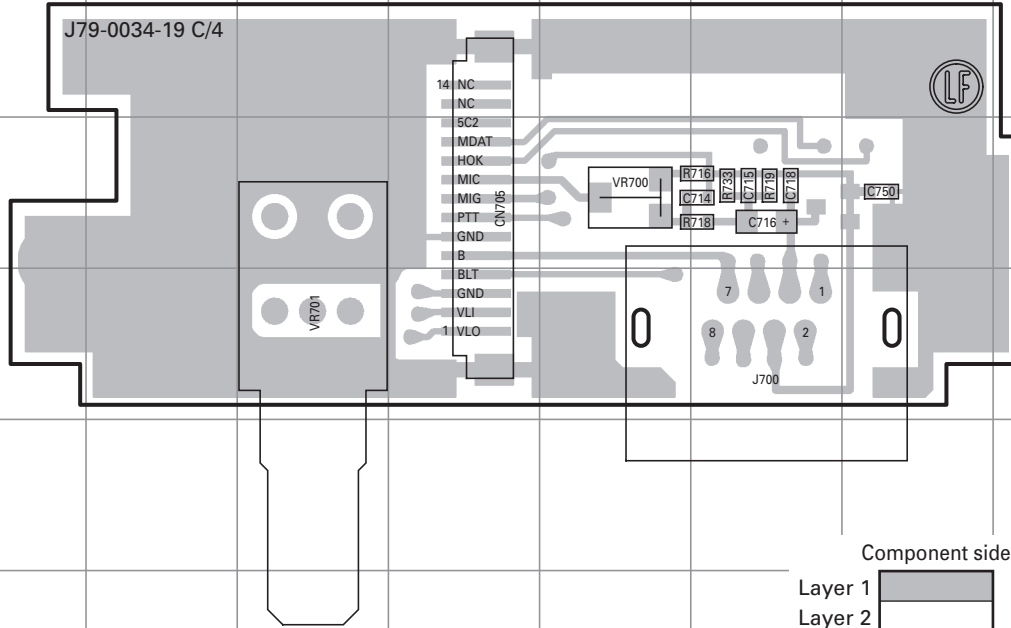


**CONTROL UNIT (X53-4210-10) (B/4)**  
**Foil side view (J79-0034-19 B/4)**

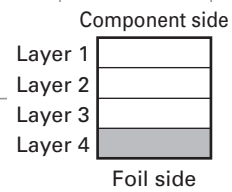
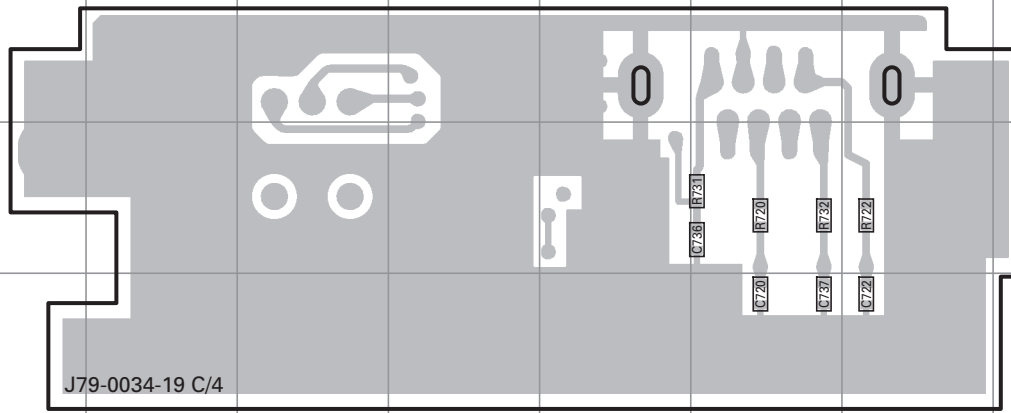


# TKR-840 PC BOARD

**CONTROL UNIT (X53-4210-10) (C/4)**  
**Component side view (J79-0034-19 C/4)**

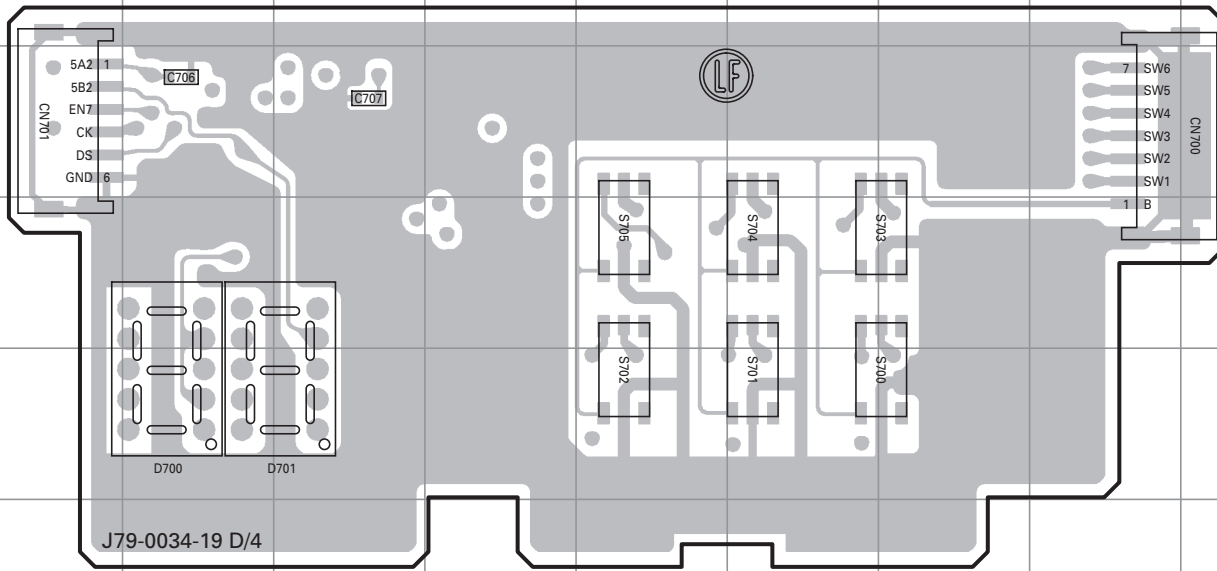


**CONTROL UNIT (X53-4210-10) (C/4)**  
**Foil side view (J79-0034-19 C/4)**

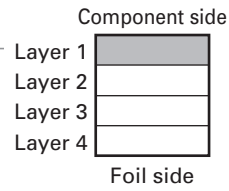


# PC BOARD TKR-840

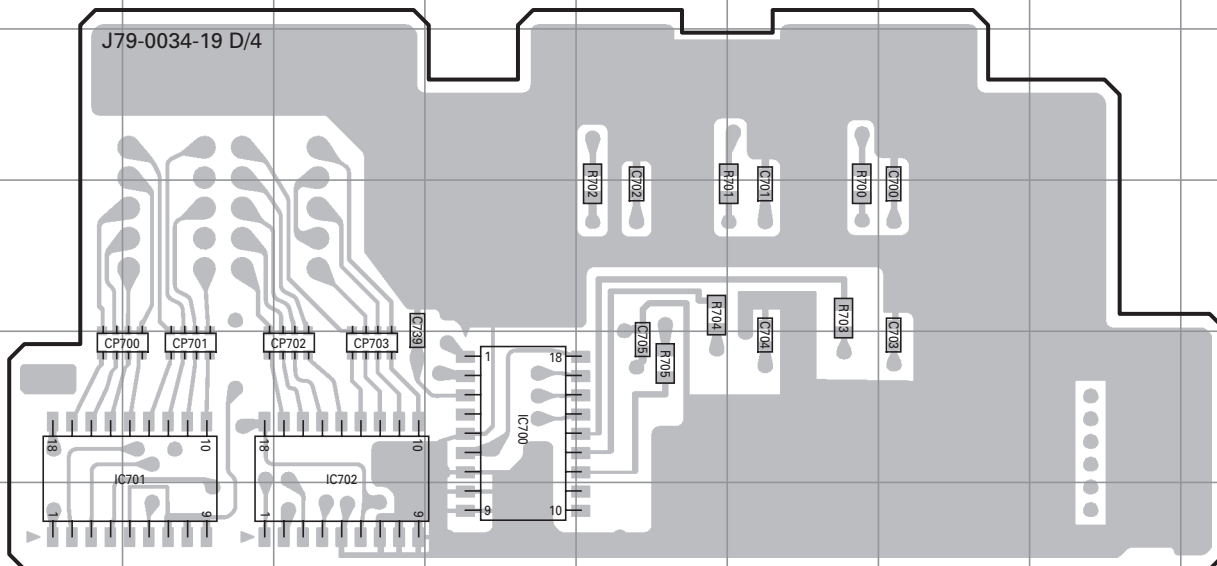
## CONTROL UNIT (X53-4210-10) (D/4) Component side view (J79-0034-19 D/4)



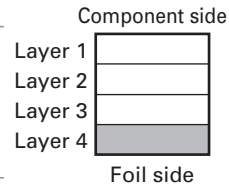
Ref. No.	Address
D700	5C
D701	5D



## CONTROL UNIT (X53-4210-10) (D/4) Foil side view (J79-0034-19 D/4)

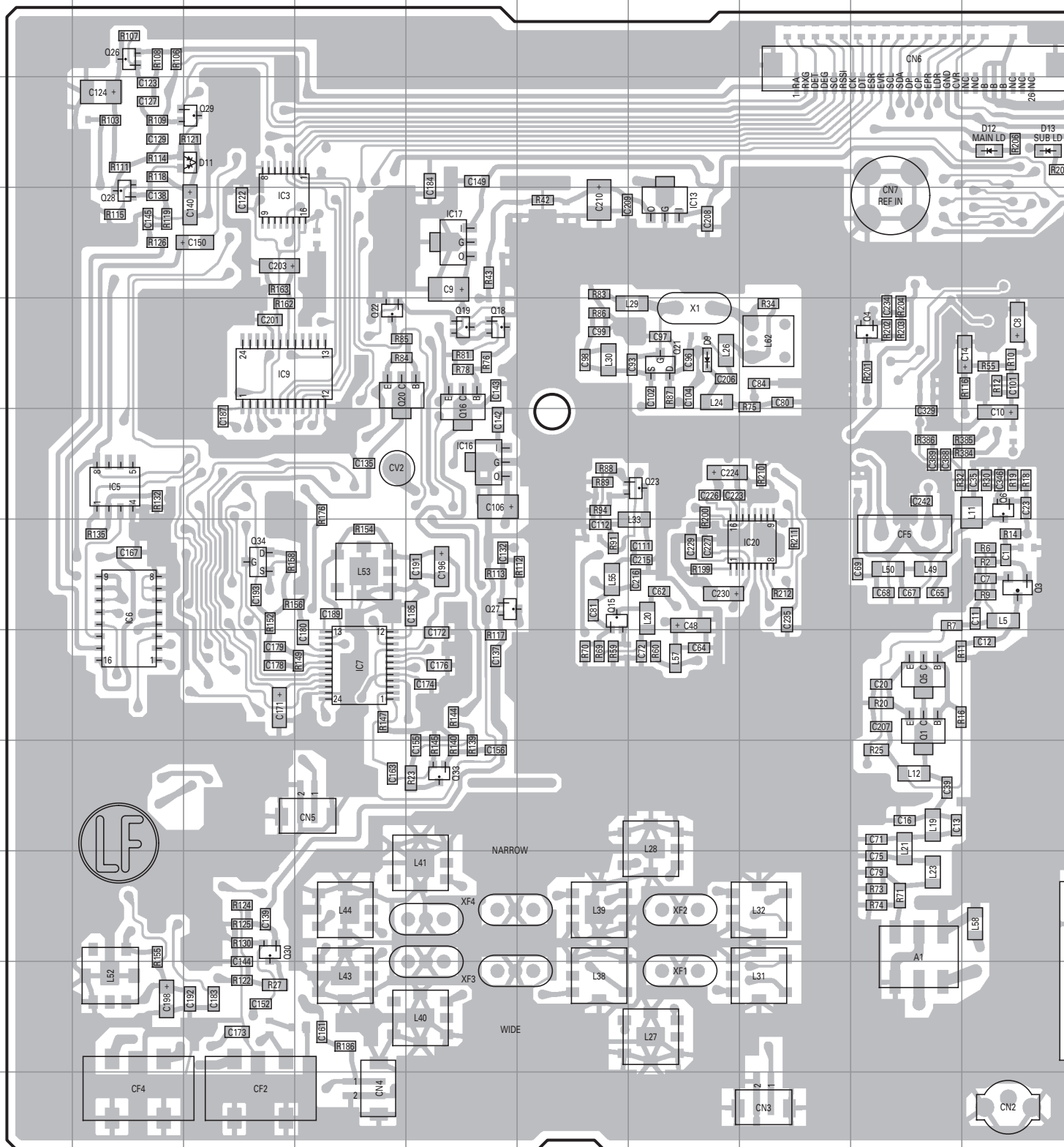


Ref. No.	Address
IC700	11E
IC701	11C
IC702	11D



# TKR-840 PC BOARD

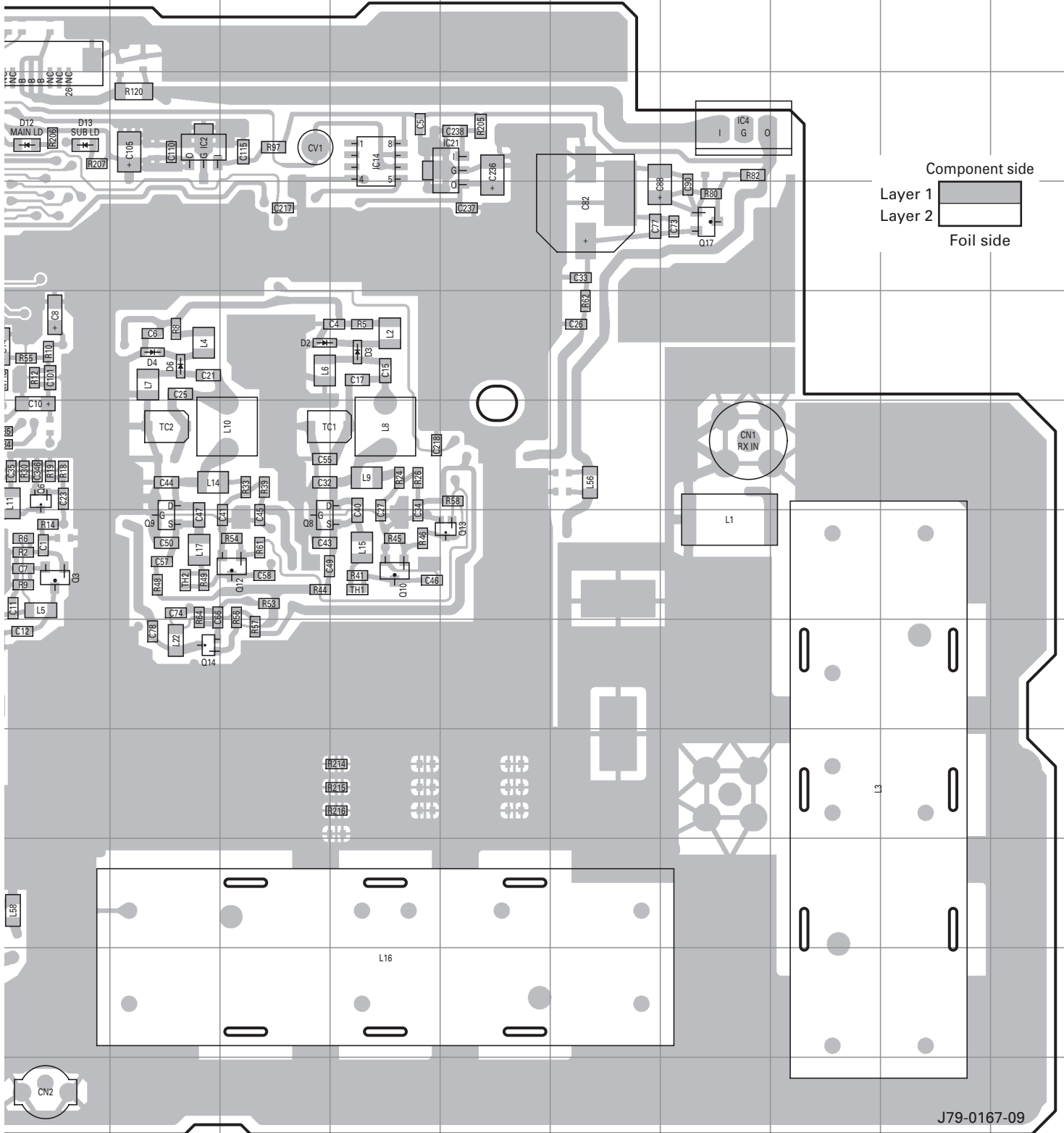
RX UNIT (X55-3110-XX) -10 : K -11 : K2 -12 : K3  
 Component side view (J79-0167-09)



Ref. No.	Address	Ref. No.	Address	Ref. No.	Address	Ref. No.	Address	Ref. No.	Address	Ref. No.	Address	Ref. No.	Address	
IC2	3K	IC6	7B	IC14	3M	Q1	8I	Q6	6J	Q12	7L	Q16	6E	Q20
IC3	4C	IC7	8D	IC16	6E	Q3	7J	Q8	7L	Q13	7N	Q17	4P	Q21
IC4	3P	IC9	5C	IC20	7H	Q4	5I	Q9	7K	Q14	8K	Q18	5E	Q22
IC5	6B	IC13	4G	IC21	3N	Q5	8I	Q10	7M	Q15	7F	Q19	5E	Q23

# PC BOARD TKR-840

RX UNIT (X55-3110-XX) -10 : K -11 : K2 -12 : K3  
 Component side view (J79-0167-09)

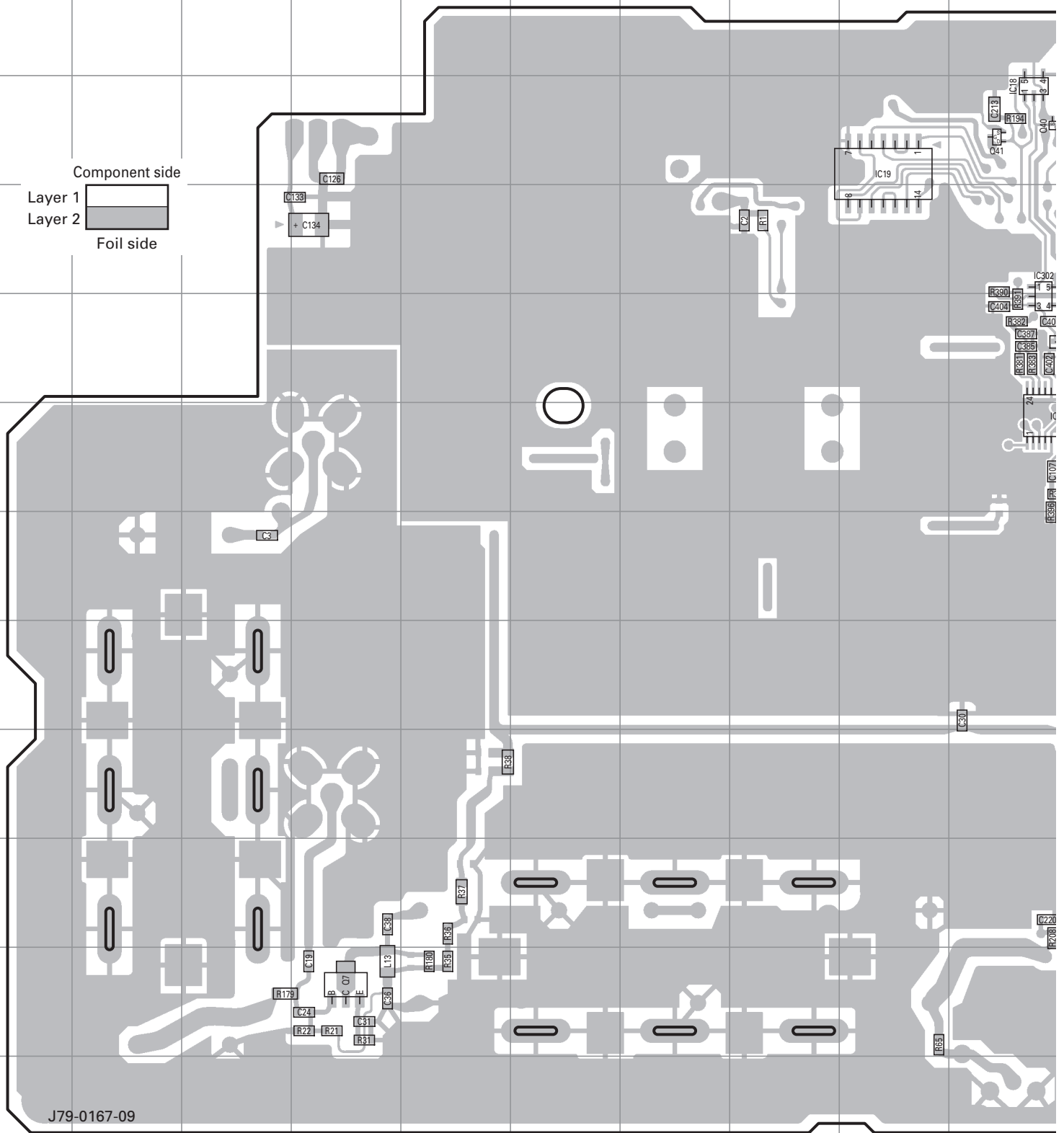


Press	Ref. No.	Address	Ref. No.	Address	Ref. No.	Address	Ref. No.	Address	Ref. No.	Address
E	Q20	5D	Q26	2B	Q34	7C	D6	5K	D13	3J
P	Q21	5G	Q27	7E	D2	5L	D9	5G		
E	Q22	5D	Q28	4B	D3	5M	D11	3C		
E	Q23	6G	Q29	3C	D4	5K	D12	3J		

# TKR-840 PC BOARD

RX UNIT (X55-3110-XX) -10 : K -11 : K2 -12 : K3

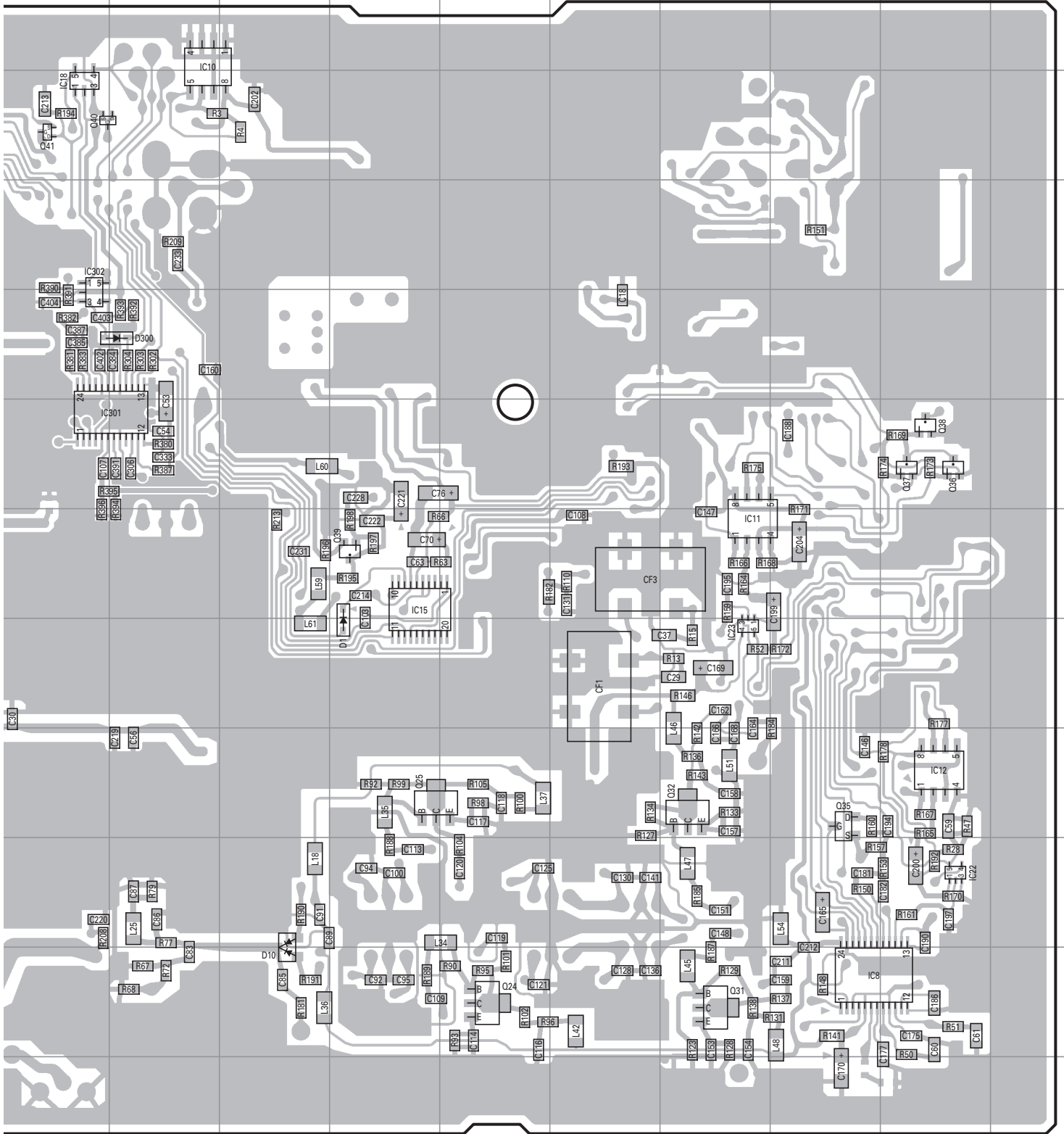
Foil side view (J79-0167-09)



Ref. No.	Address	Ref. No.	Address	Ref. No.	Address	Ref. No.	Address	Ref. No.	Address	Ref. No.	Address	Ref. No.	Address
IC8	11Q	IC15	7M	IC23	8P	Q24	11N	Q35	9Q	Q39	7M	D10	11L
IC10	2K	IC18	3J	IC301	6K	Q25	9M	Q36	6R	Q40	3J	D300	5K
IC11	7P	IC19	3I	IC302	5J	Q31	11P	Q37	6R	Q41	3J		
IC12	9R	IC22	10R	Q7	11D	Q32	9P	Q38	6R	D1	8M		

# PC BOARD TKR-840

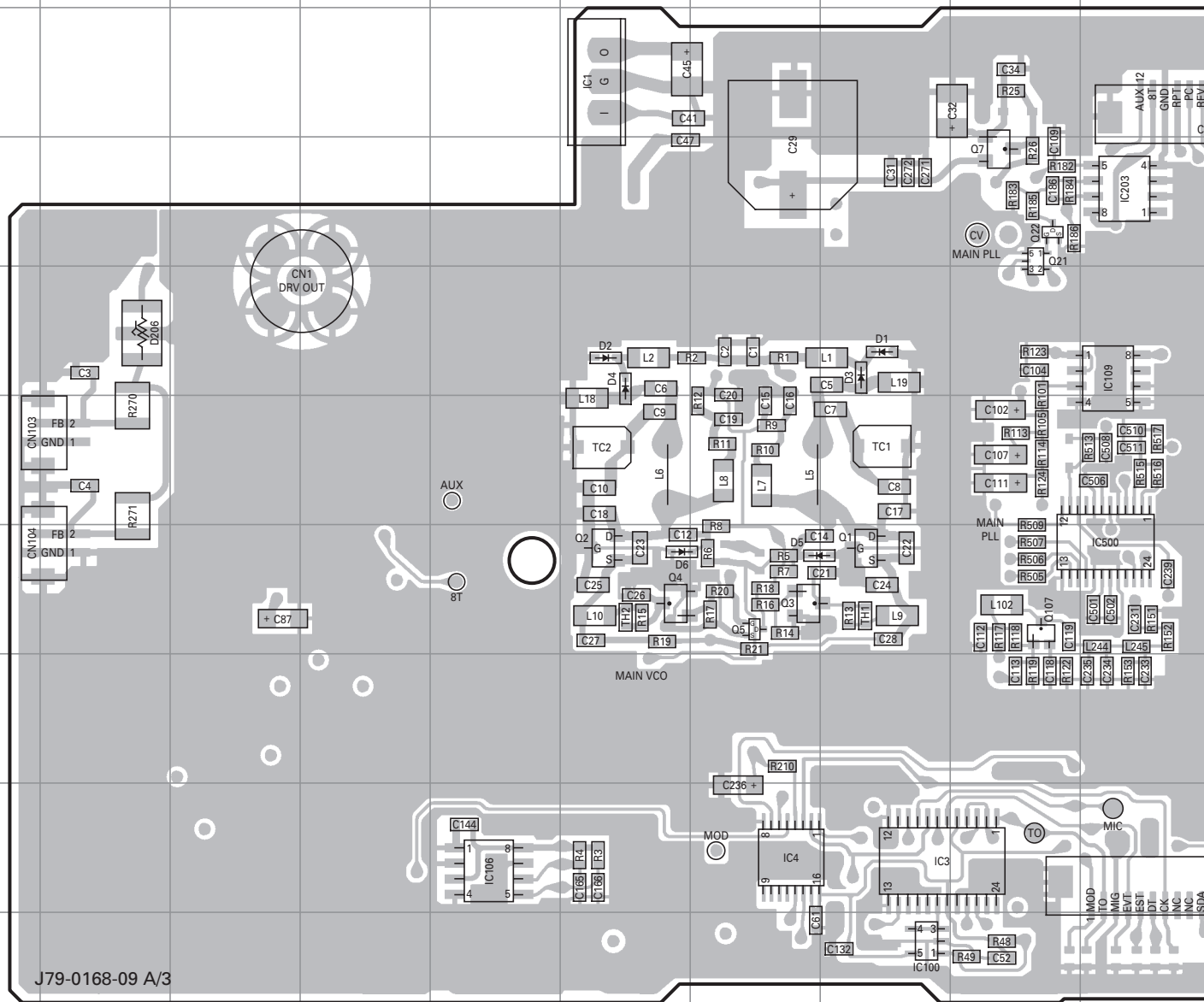
RX UNIT (X55-3110-XX) -10 : K -11 : K2 -12 : K3  
Foil side view (J79-0167-09)



less  
1L  
K

# TKR-840 PC BOARD

**TX UNIT (X56-3130-XX) (A/3) -10 : K -11 : K2 -12 : K3**  
**Component side view (J79-0168-09 A/3)**

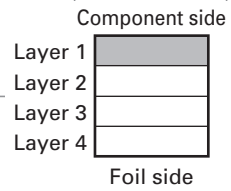
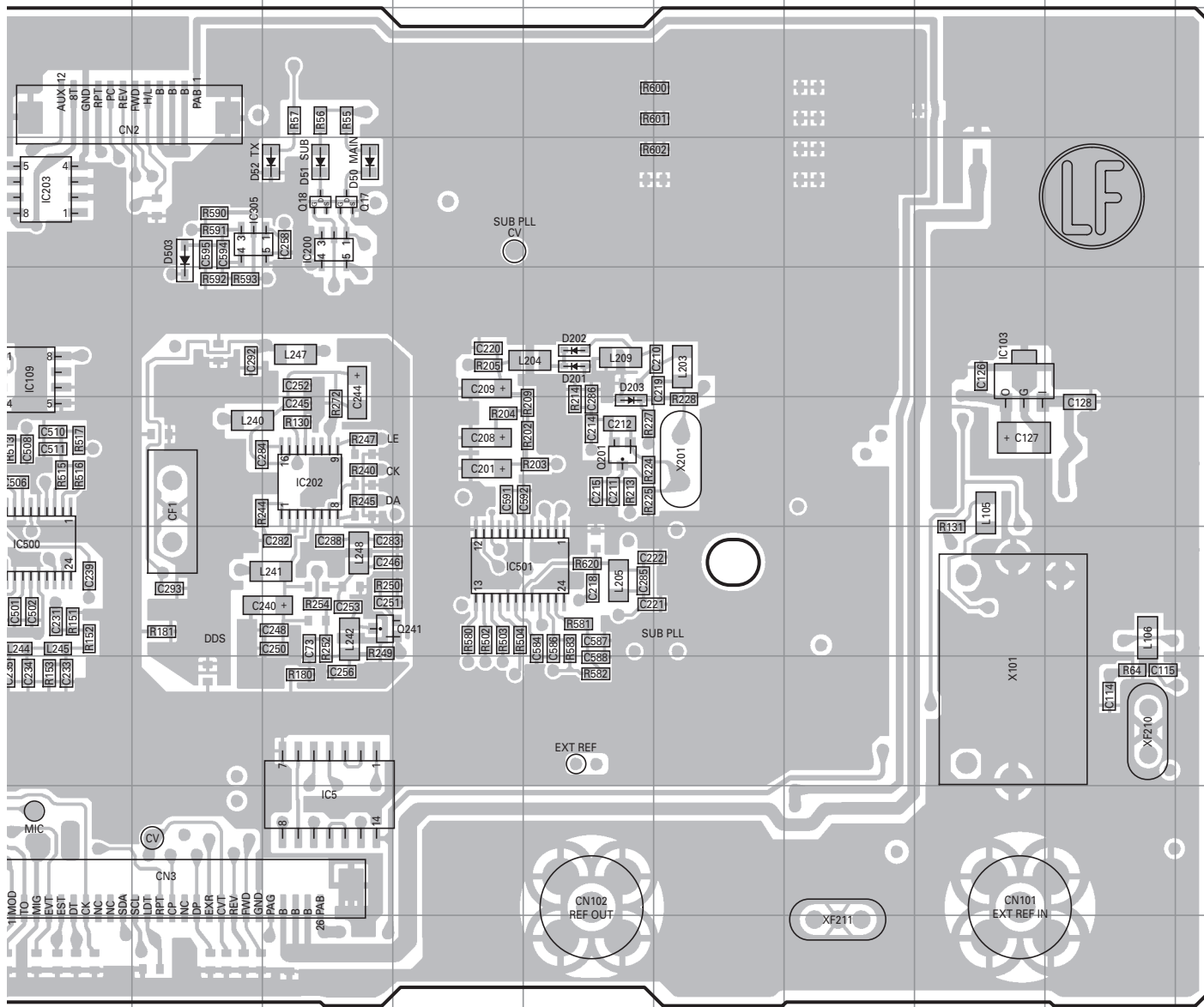


Ref. No.	Address	Ref. No.	Address	Ref. No.	Address	Ref. No.	Address	Ref. No.	Address	Ref. No.	Address
IC1	3F	IC109	5J	Q1	7H	Q18	4L	D2	5F	D52	4L
IC3	9H	IC200	4L	Q2	7F	Q21	4I	D3	5H	D201	5N
IC4	9G	IC202	6L	Q3	7G	Q22	4I	D4	5F	D202	5N
IC5	9L	IC203	4J	Q4	7F	Q107	7I	D5	7G	D203	6N
IC100	10H	IC305	4K	Q5	7G	Q201	6N	D6	7F	D206	5B
IC103	5Q	IC500	7J	Q7	4I	Q241	7L	D50	4L	D503	4K
IC106	9E	IC501	7M	Q17	4L	D1	5H	D51	4L		



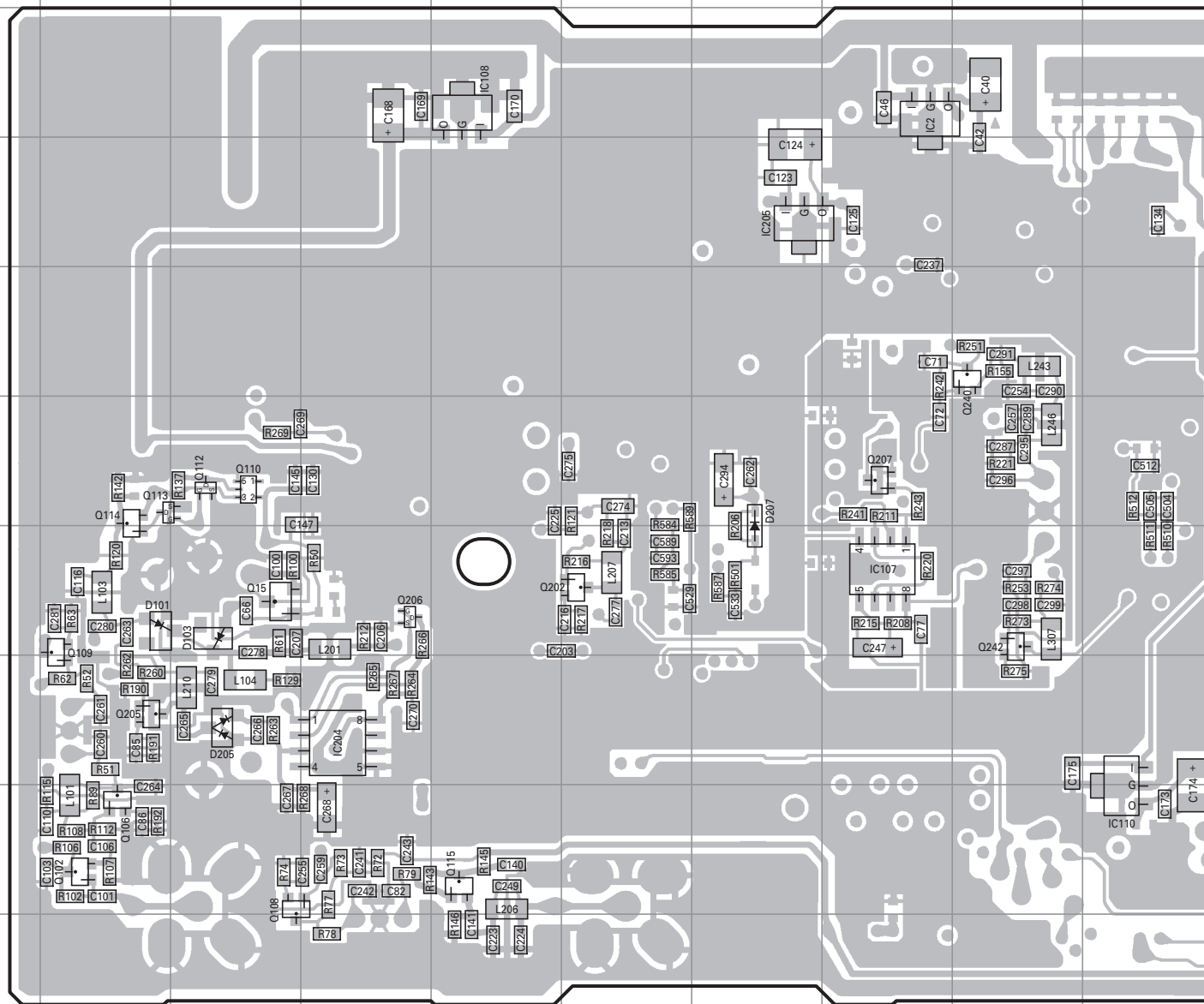
# PC BOARD TKR-840

**TX UNIT (X56-3130-XX) (A/3) -10 : K -11 : K2 -12 : K3**  
**Component side view (J79-0168-09 A/3)**



# TKR-840 PC BOARD

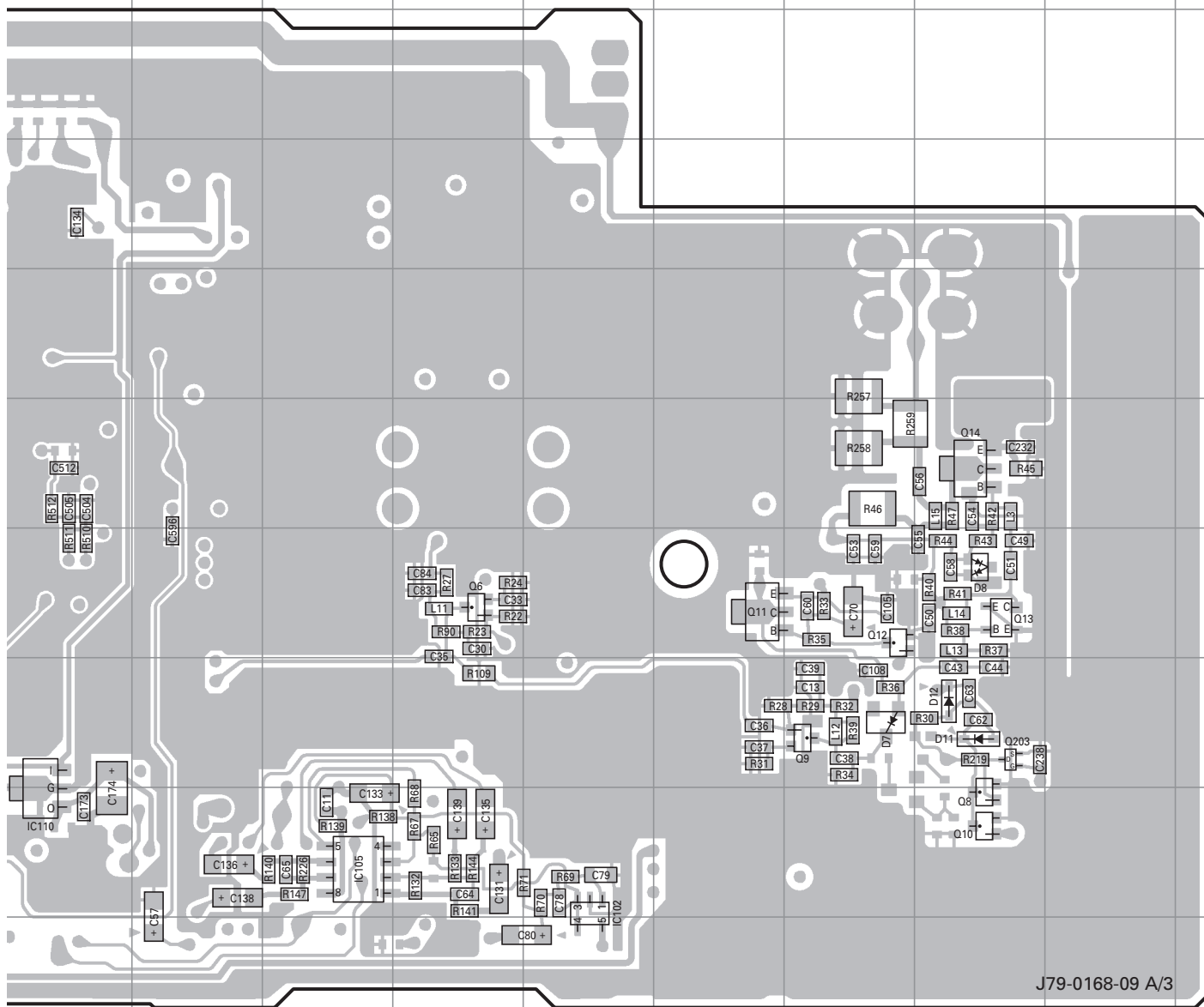
**TX UNIT (X56-3130-XX) (A/3) -10 : K -11 : K2 -12 : K3**  
**Foil side view (J79-0168-09 A/3)**



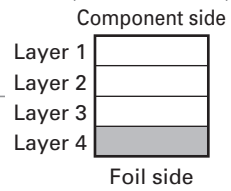
Ref. No.	Address	Ref. No.	Address	Ref. No.	Address	Ref. No.	Address	Ref. No.	Address	Ref. No.	Address
IC2	3H	IC205	4G	Q13	7Q	Q110	6C	Q205	8B	D11	8Q
IC102	9N	Q6	7M	Q14	6Q	Q112	6C	Q206	7D	D12	8Q
IC105	9L	Q8	9Q	Q15	7C	Q113	6B	Q207	6H	D101	7B
IC107	7H	Q9	8P	Q102	9B	Q114	6B	Q240	5I	D103	7C
IC108	3E	Q10	9Q	Q106	9B	Q115	9E	Q242	7I	D205	8C
IC110	9J	Q11	7O	Q108	9C	Q202	7F	D7	8P	D207	6G
IC204	8D	Q12	7P	Q109	7B	Q203	8Q	D8	7Q		

# PC BOARD TKR-840

TX UNIT (X56-3130-XX) (A/3) -10 : K -11 : K2 -12 : K3  
 Foil side view (J79-0168-09 A/3)

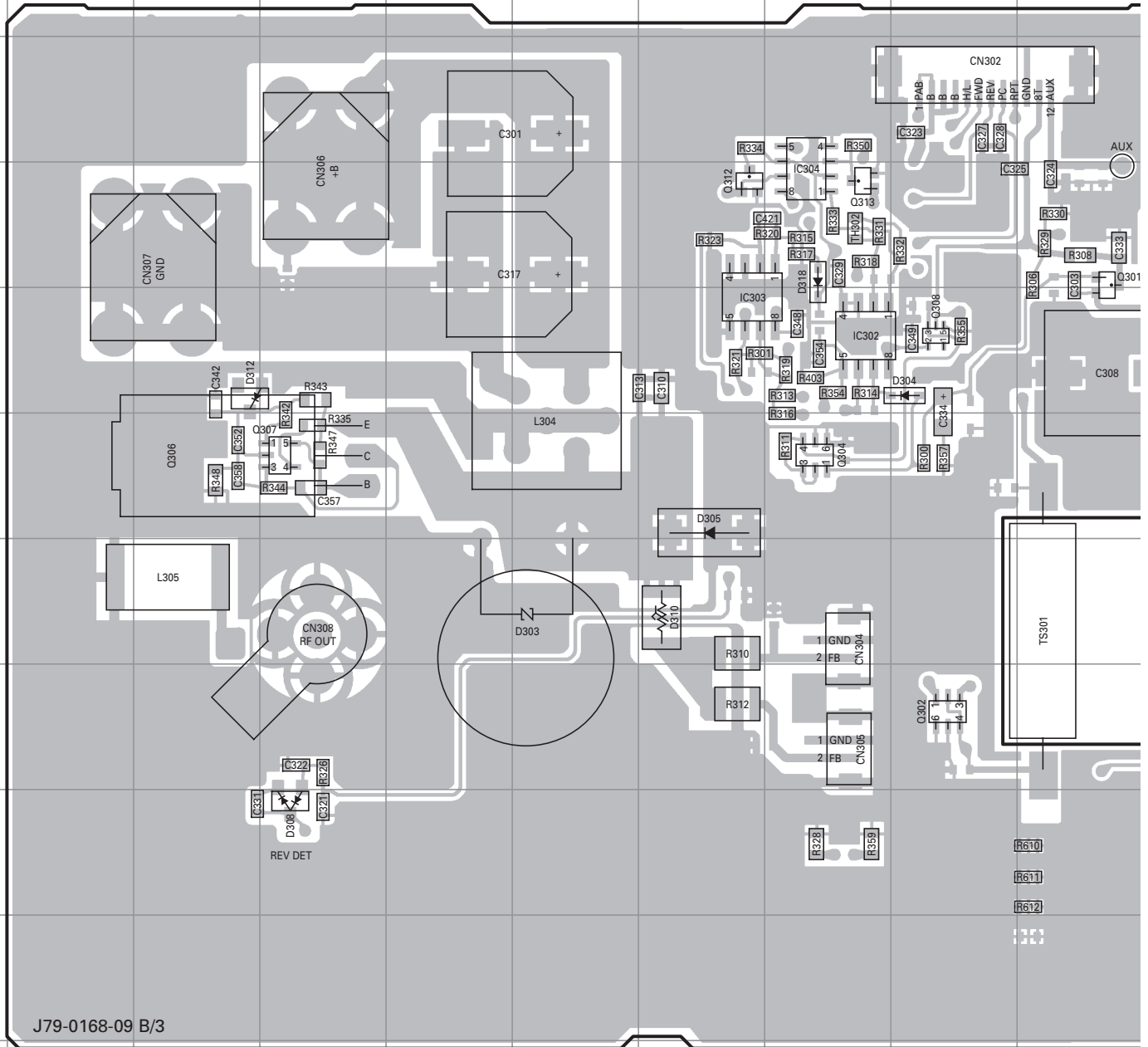


J79-0168-09 A/3

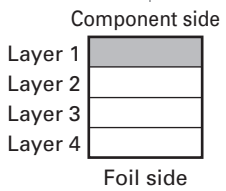


# TKR-840 PC BOARD

TX UNIT (X56-3130-XX) (B/3) -10 : K -11 : K2 -12 : K3  
 Component side view (J79-0168-09 B/3)

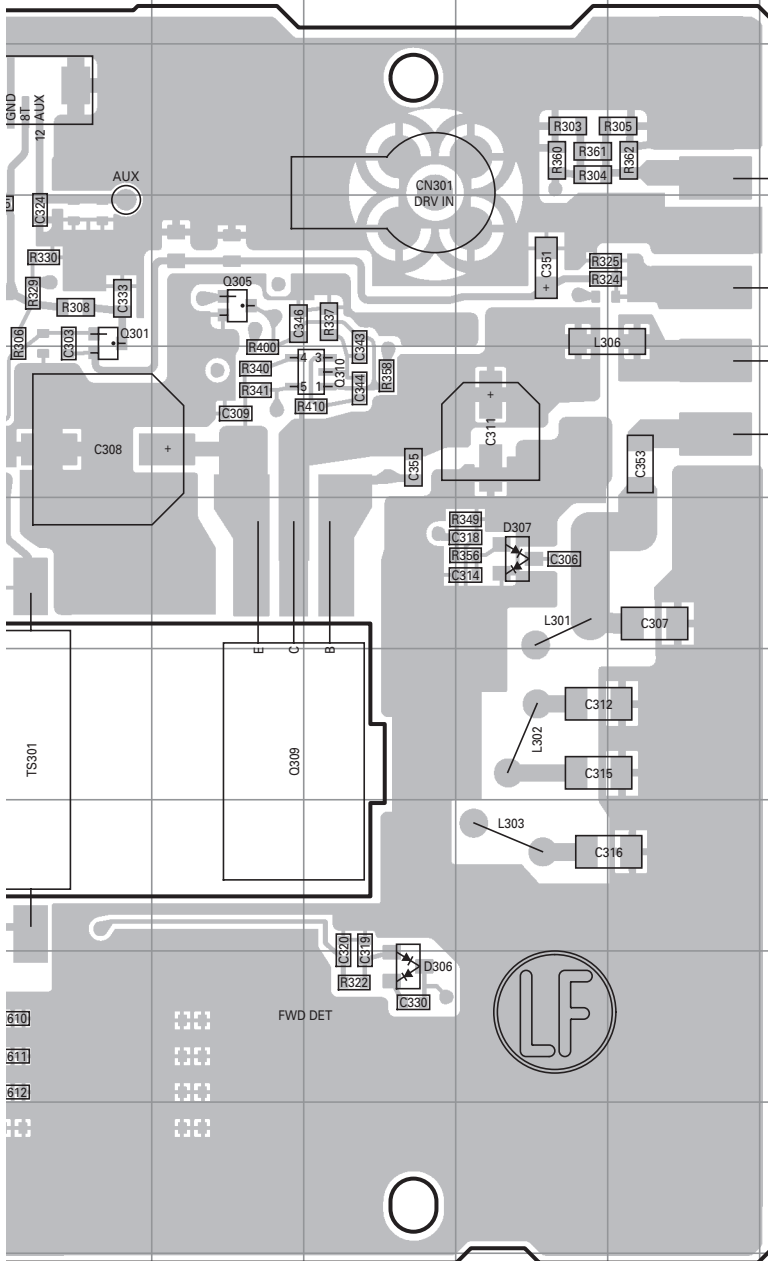


J79-0168-09 B/3



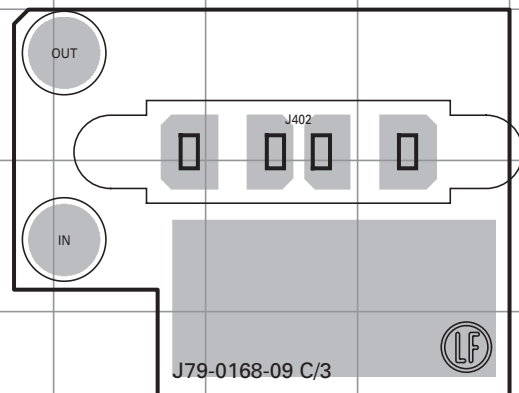
# PC BOARD TKR-840

**TX UNIT (X56-3130-XX) (B/3) -10 : K -11 : K2 -12 : K3**  
**Component side view (J79-0168-09 B/3)**



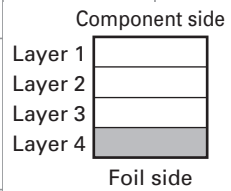
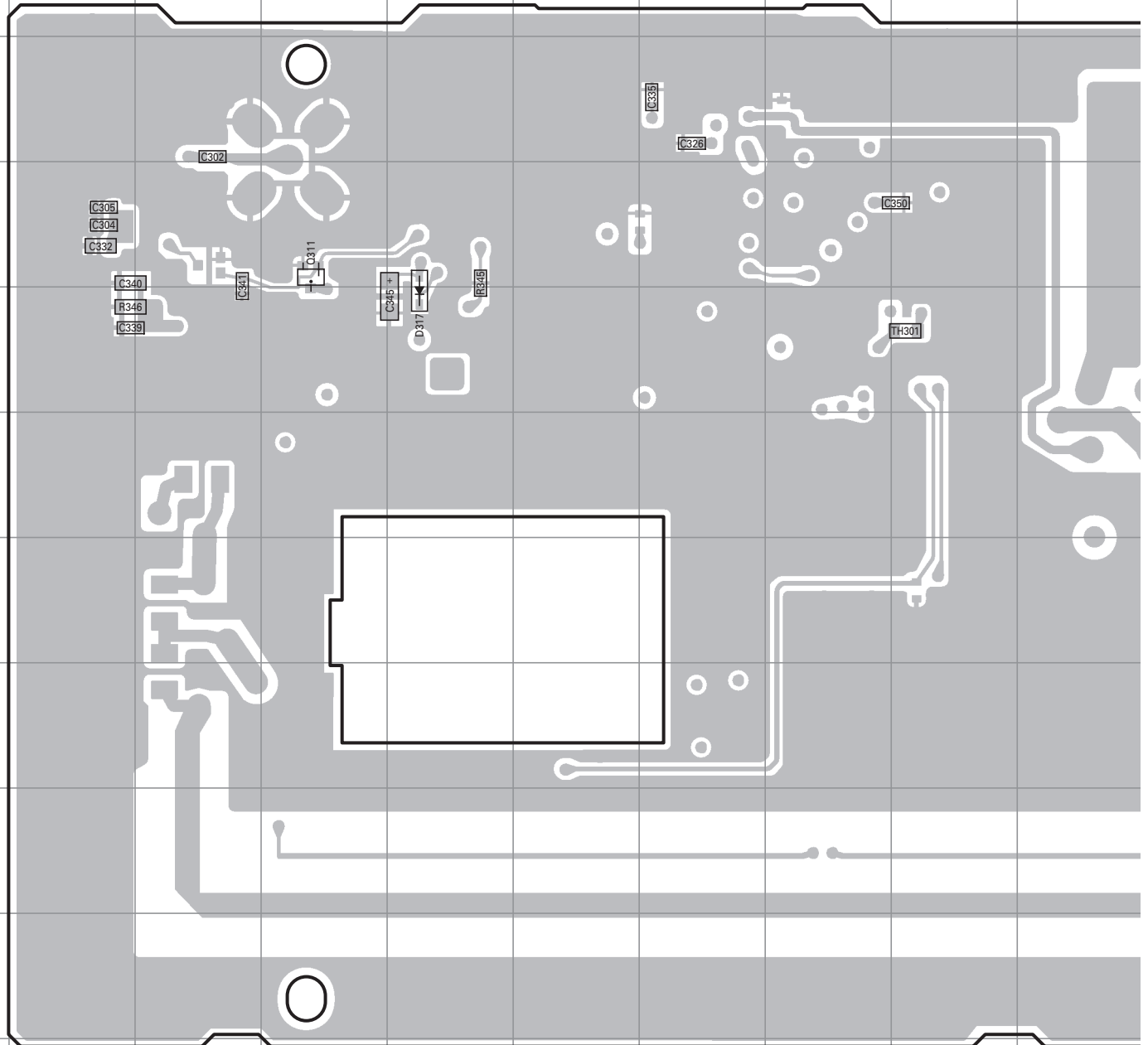
Ref. No.	Address
IC301	4O
IC302	5H
IC303	5G
IC304	4H
Q301	4J
Q302	8I
Q304	6H
Q305	4K
Q306	6C
Q307	6D
Q308	5I
Q309	7K
Q310	5L
Q312	4G
Q313	4H
D303	7F
D304	5I
D305	6G
D306	9M
D307	6M
D308	9D
D310	7G
D312	5C
D318	4H

**TX UNIT (X56-3130-XX) (C/3)**  
**-10 : K -11 : K2 -12 : K3**  
**Component side view (J79-0168-09 C/3)**



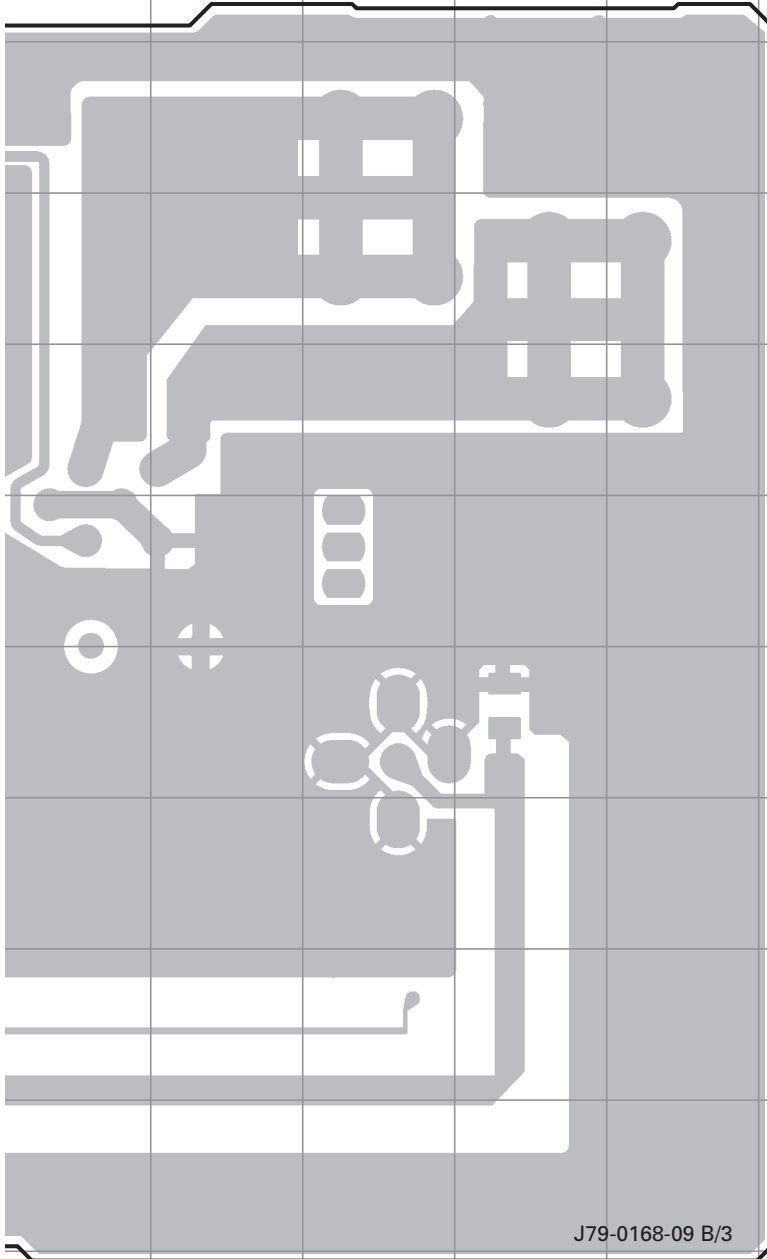
# TKR-840 PC BOARD

TX UNIT (X56-3130-XX) (B/3)  
-10 : K -11 : K2 -12 : K3  
Foil side view (J79-0168-09 B/3)



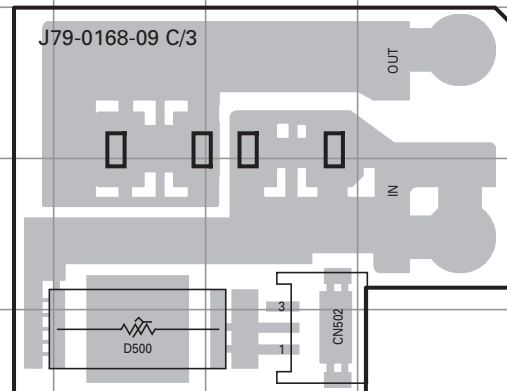
# PC BOARD TKR-840

**TX UNIT (X56-3130-XX) (B/3)**  
**-10 : K -11 : K2 -12 : K3**  
**Foil side view (J79-0168-09 B/3)**



Ref. No.	Address
Q311	4D
D317	5E

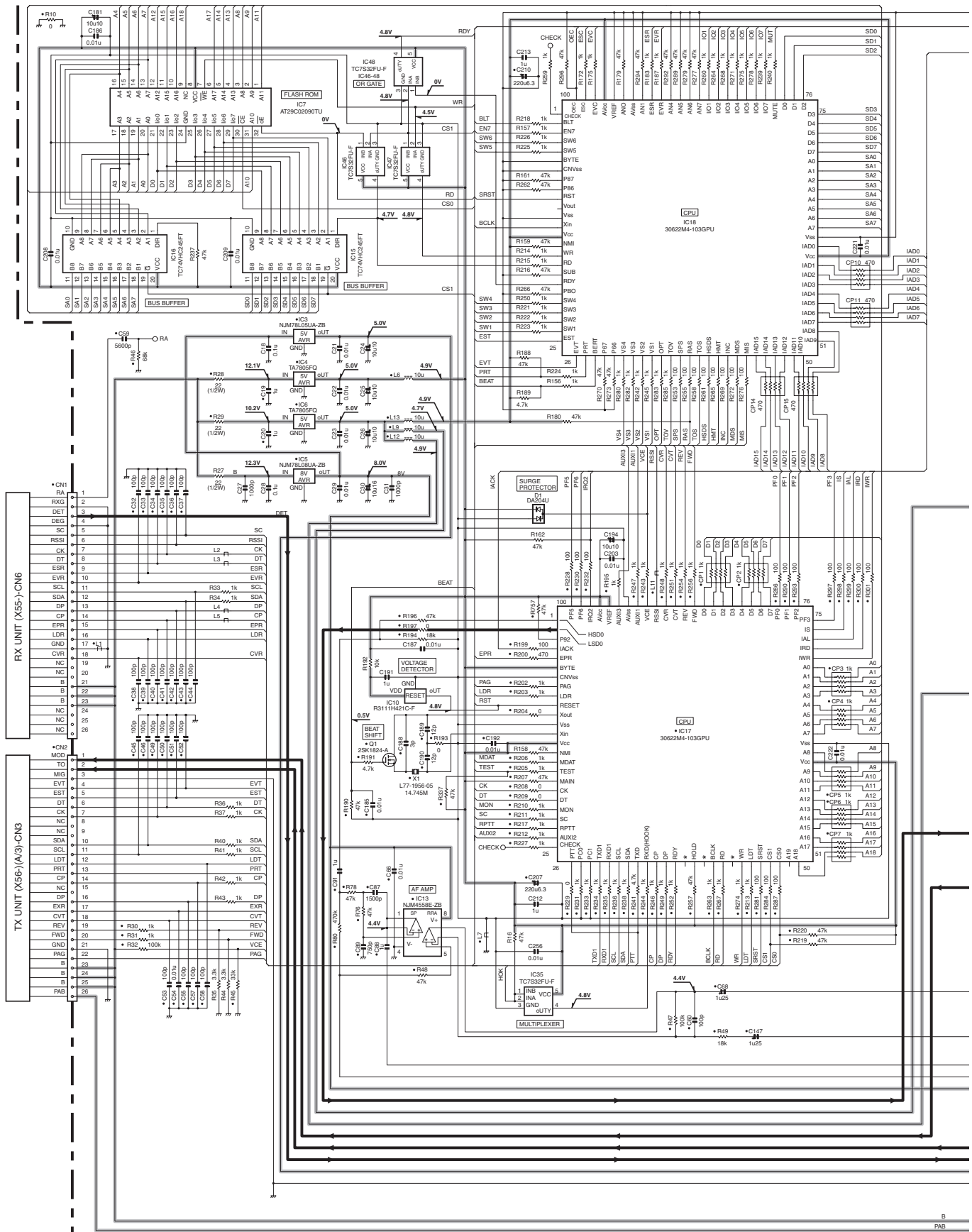
**TX UNIT (X56-3130-XX) (C/3)**  
**-10 : K -11 : K2 -12 : K3**  
**Foil side view (J79-0168-09 C/3)**



Ref. No.	Address
D500	13P

# TKR-840 SCHEMATIC DIAGRAM

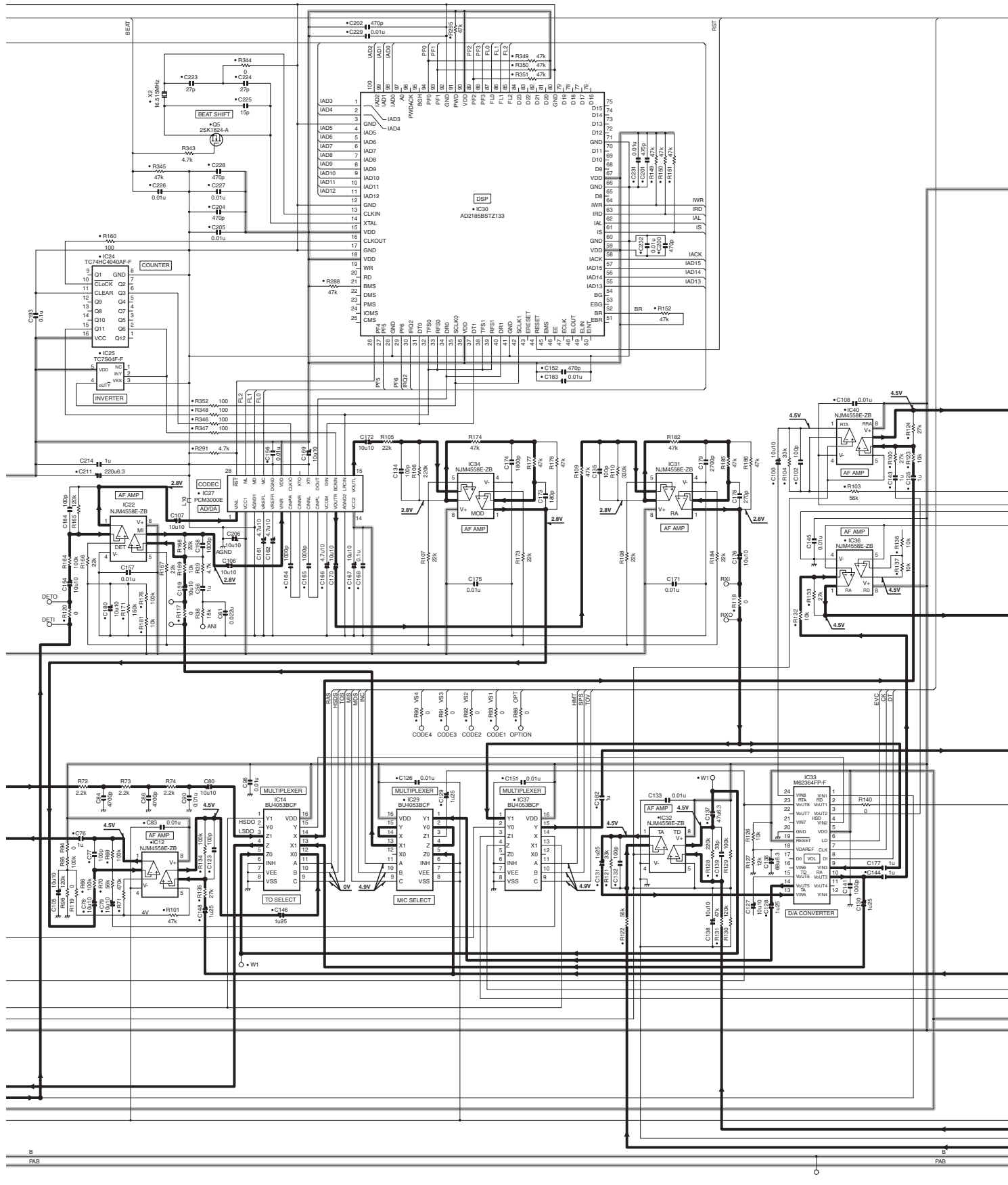
CONTROL UNIT (X53-4210-10)(A/4)





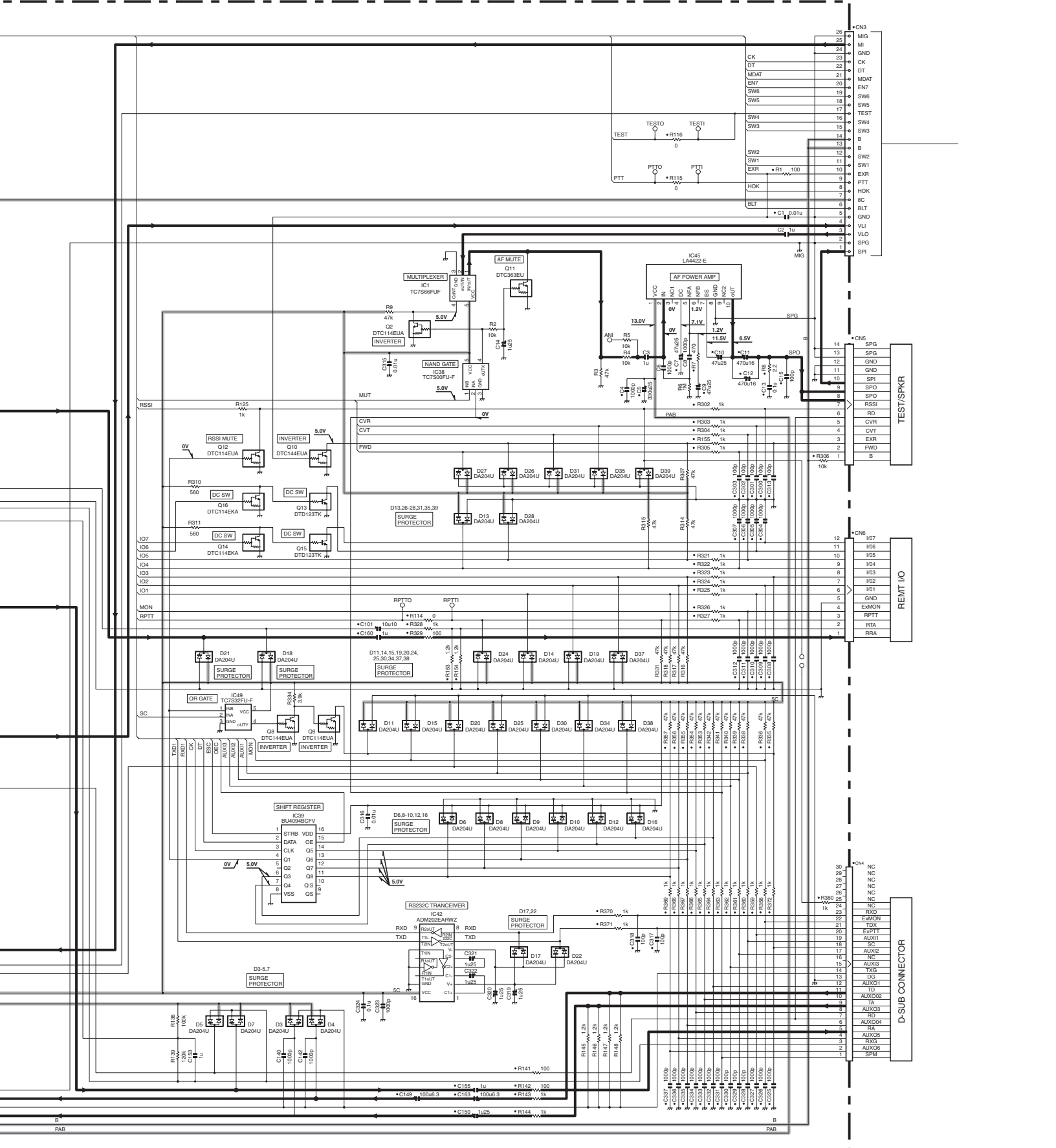
# SCHEMATIC DIAGRAM TKR-840

CONTROL UNIT (X53-4210-10)(A/4)



# TKR-840 SCHEMATIC DIAGRAM

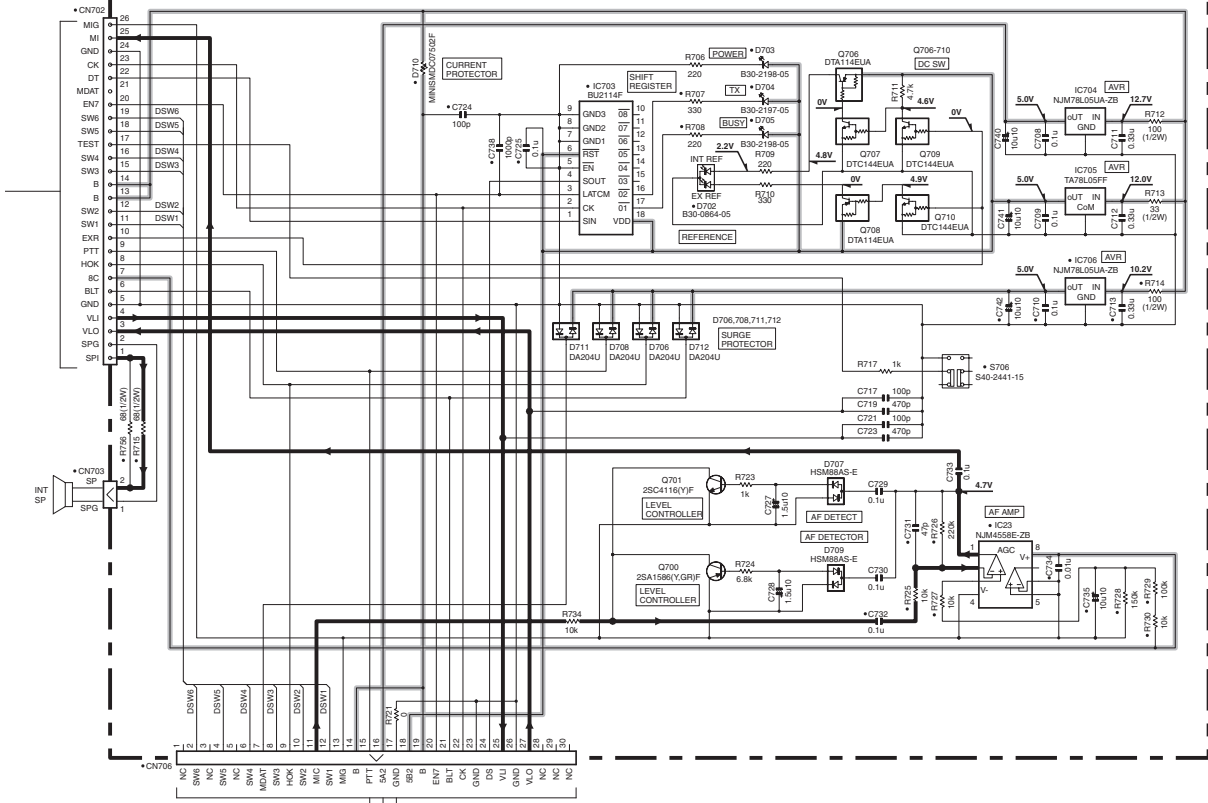
CONTROL UNIT (X53-4210-10)(A/4)



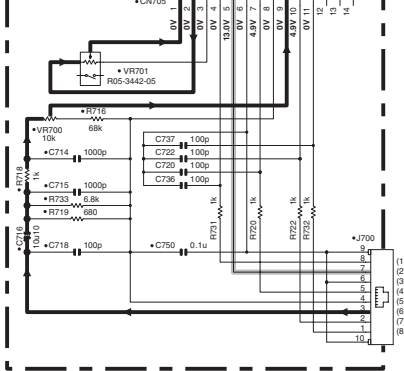
# SCHEMATIC DIAGRAM TKR-840

Note : The components marked with a dot (●) are parts of layer 1.

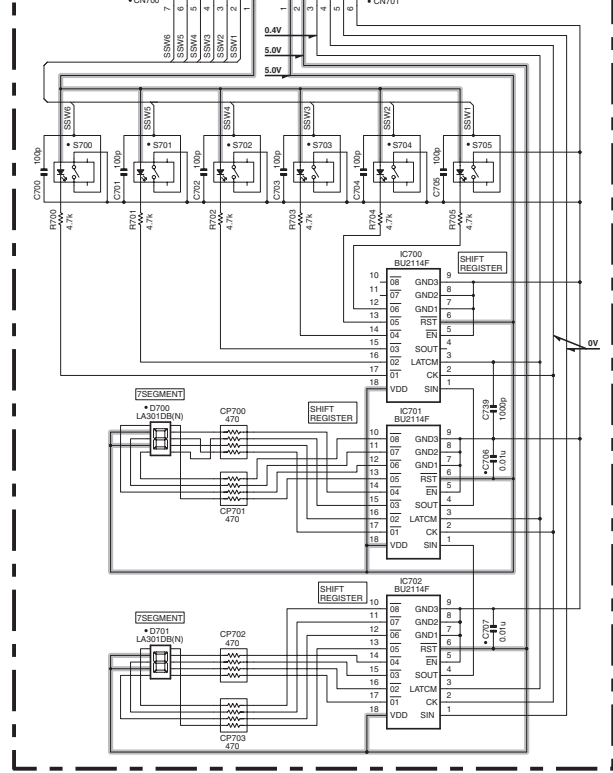
CONTROL UNIT (X53-4210-10)(B/4)



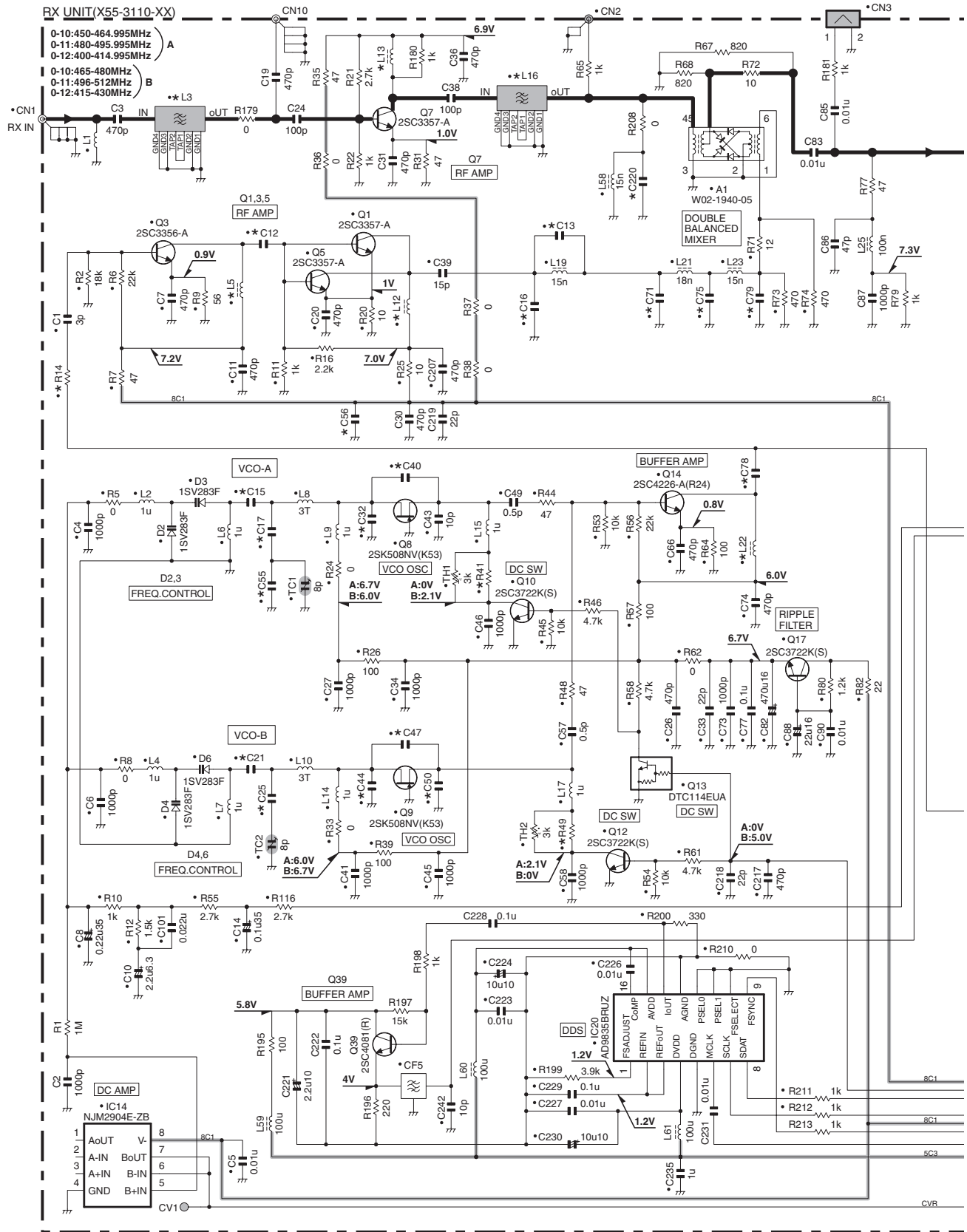
CONTROL UNIT (X53-4210-10)(C/4)



CONTROL UNIT (X53-4210-10)(D/4)



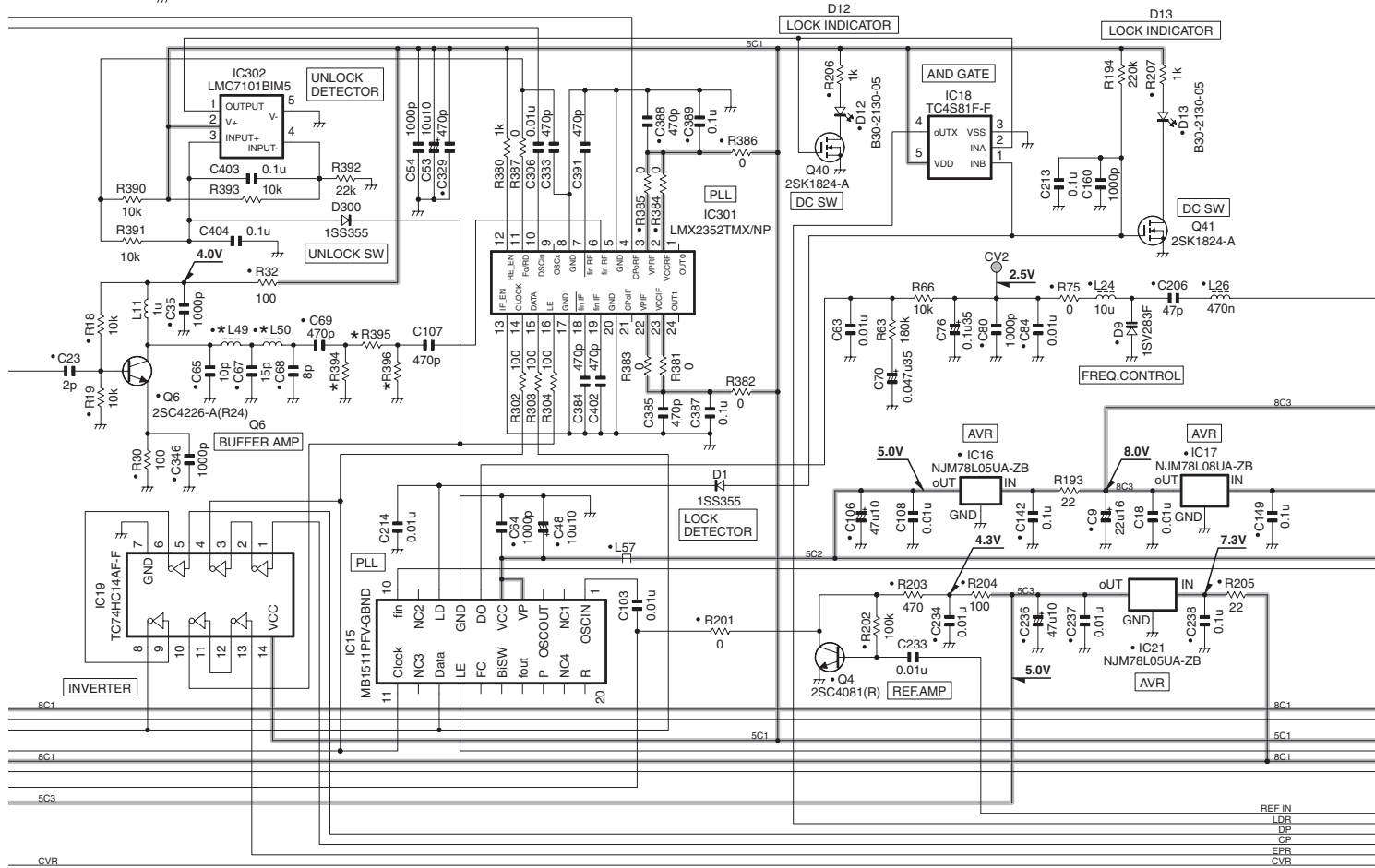
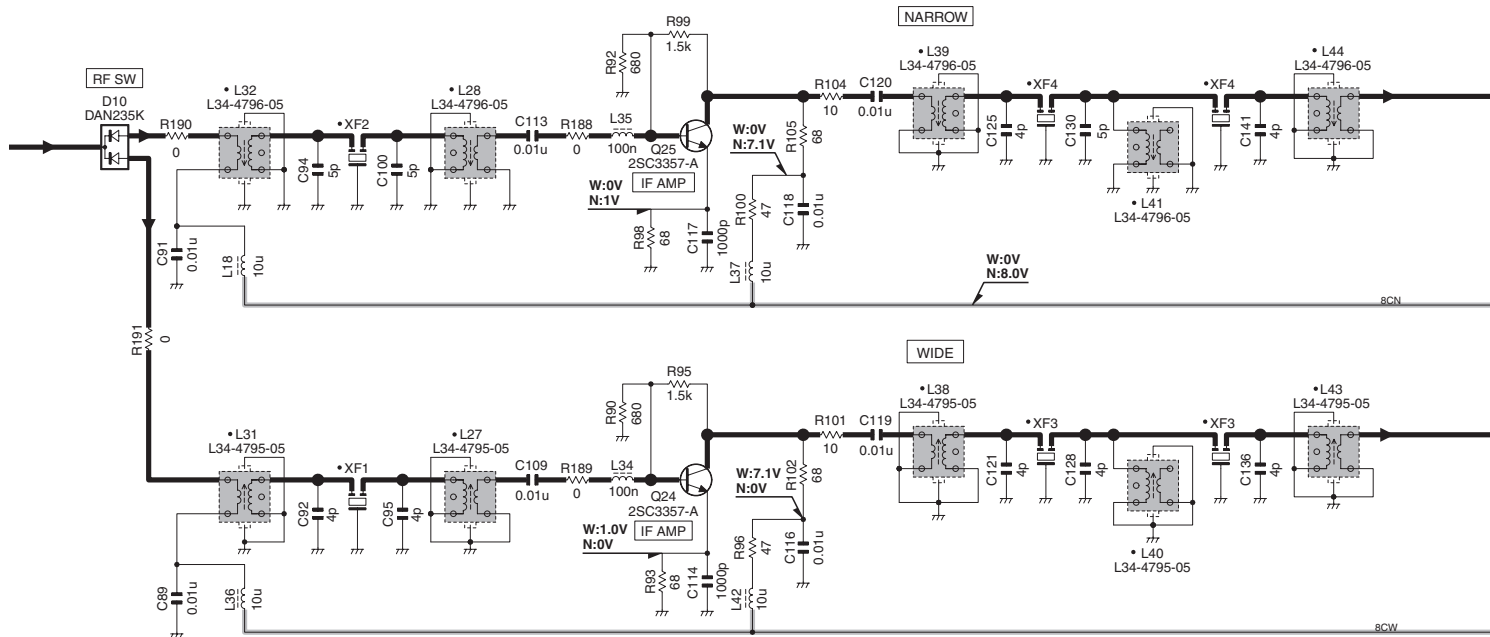
# TKR-840 SCHEMATIC DIAGRAM



X55-3110-XX	L3	L5	L12	L13	L16	L22	R14	R41	R49	C12	C13	C15	C16	C17	C21	C25	C32	C40	C44	C47	C50	C55	C56	C71	C75	C78	C79	C220	
-10	K	L79-1529-05	18n	15n	18n	L79-1529-05	18n	47	270	270	7p	2.5p	6p	8p	12p	5p	10p	8p	8p	7p	7p	10p	NO	100p	15p	15p	4p	8p	7p
-11	K2	L79-1730-05	18n	15n	15n	L79-1730-05	18n	47	270	270	6p	1.5p	5p	6p	6p	4p	5p	7p	7p	7p	7p	7p	NO	100p	12p	12p	4p	6p	6p
-12	K3	L79-1736-05	22n	18n	22n	L79-1736-05	33n	330	470	330	8p	2.5p	9p	9p	15p	8p	15p	9p	12p	9p	11p	10p	4p	NO	18p	18p	5p	9p	9p

# SCHEMATIC DIAGRAM TKR-840

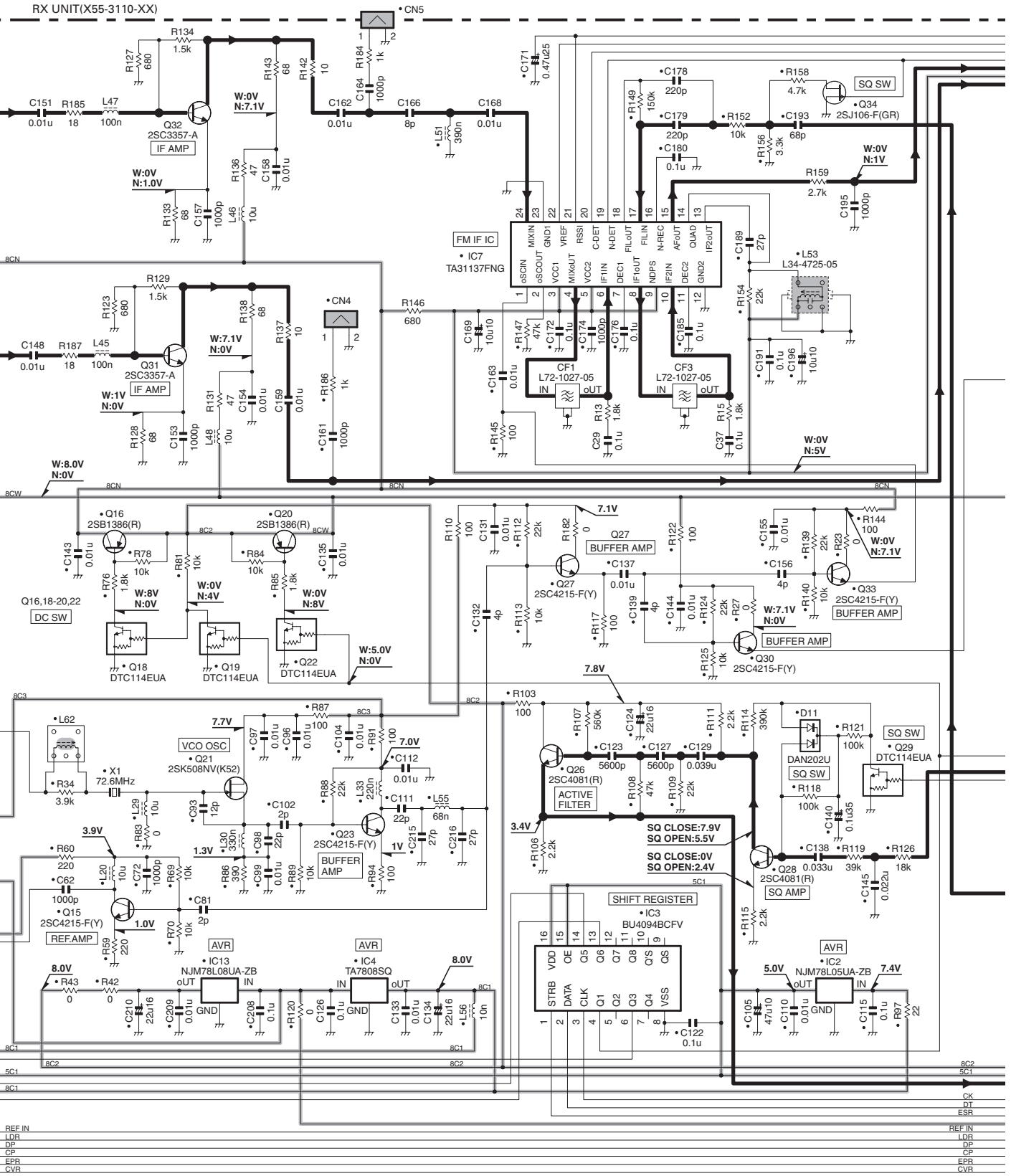
RX UNIT(X55-3110-XX)



X55-3110-XX	L49	L50	R394	R395	R396
-10	K	18n	18n	100	68
-11	K2	18n	18n	100	68
-12	K3	22n	22n	82	100

# TKR-840 SCHEMATIC DIAGRAM

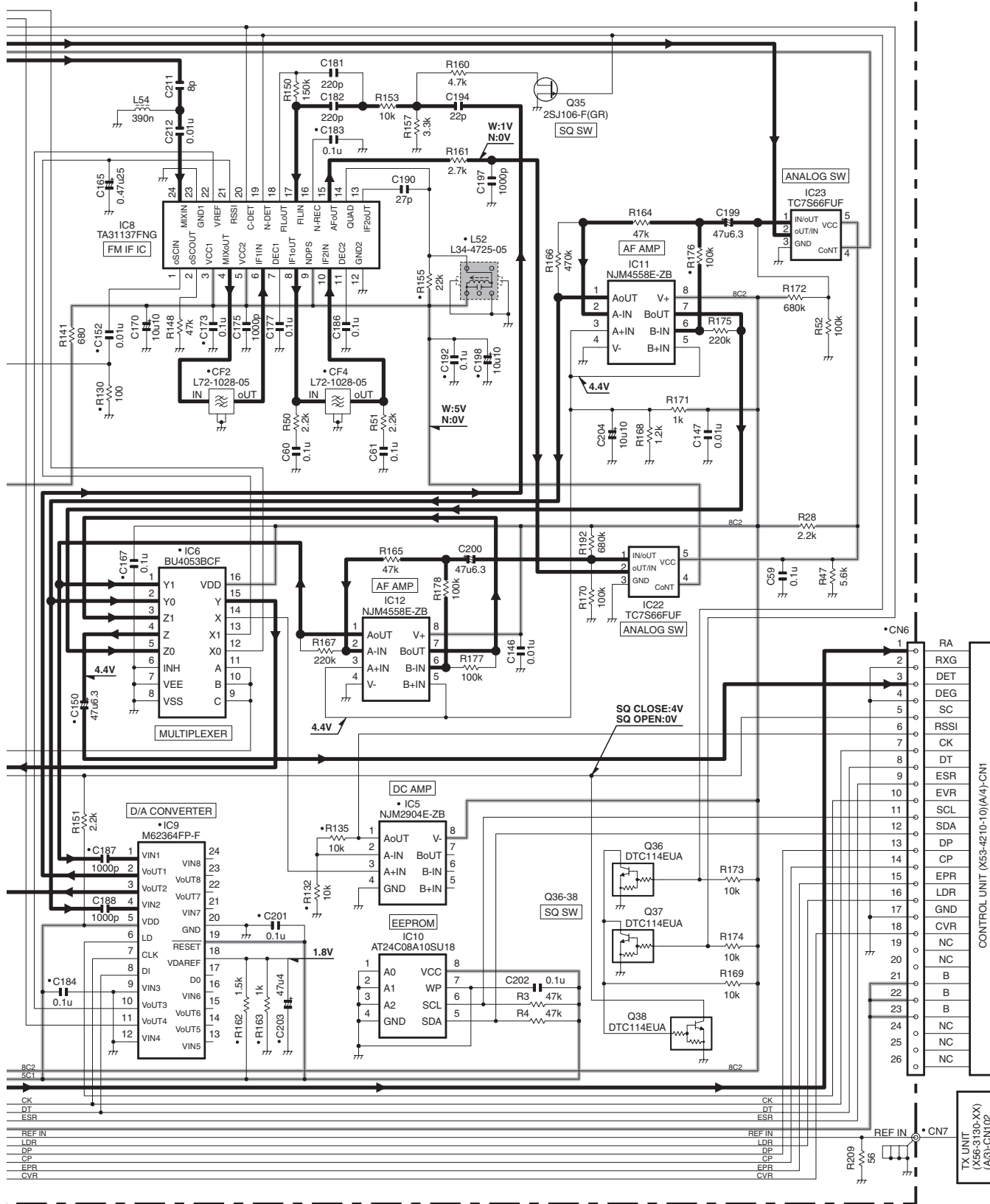
RX UNIT(X55-3110-XX)



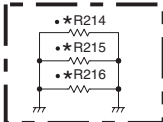
# SCHEMATIC DIAGRAM TKR-840

Note : The components marked with a dot (●) are parts of layer 1.

RX UNIT(X55-3110-XX)



DESTINATION MARK



X55-3110-XX	R214	R215	R216
-10	K	0	NO
-11	K2	NO	0
-12	K3	NO	NO

1

2

3

4

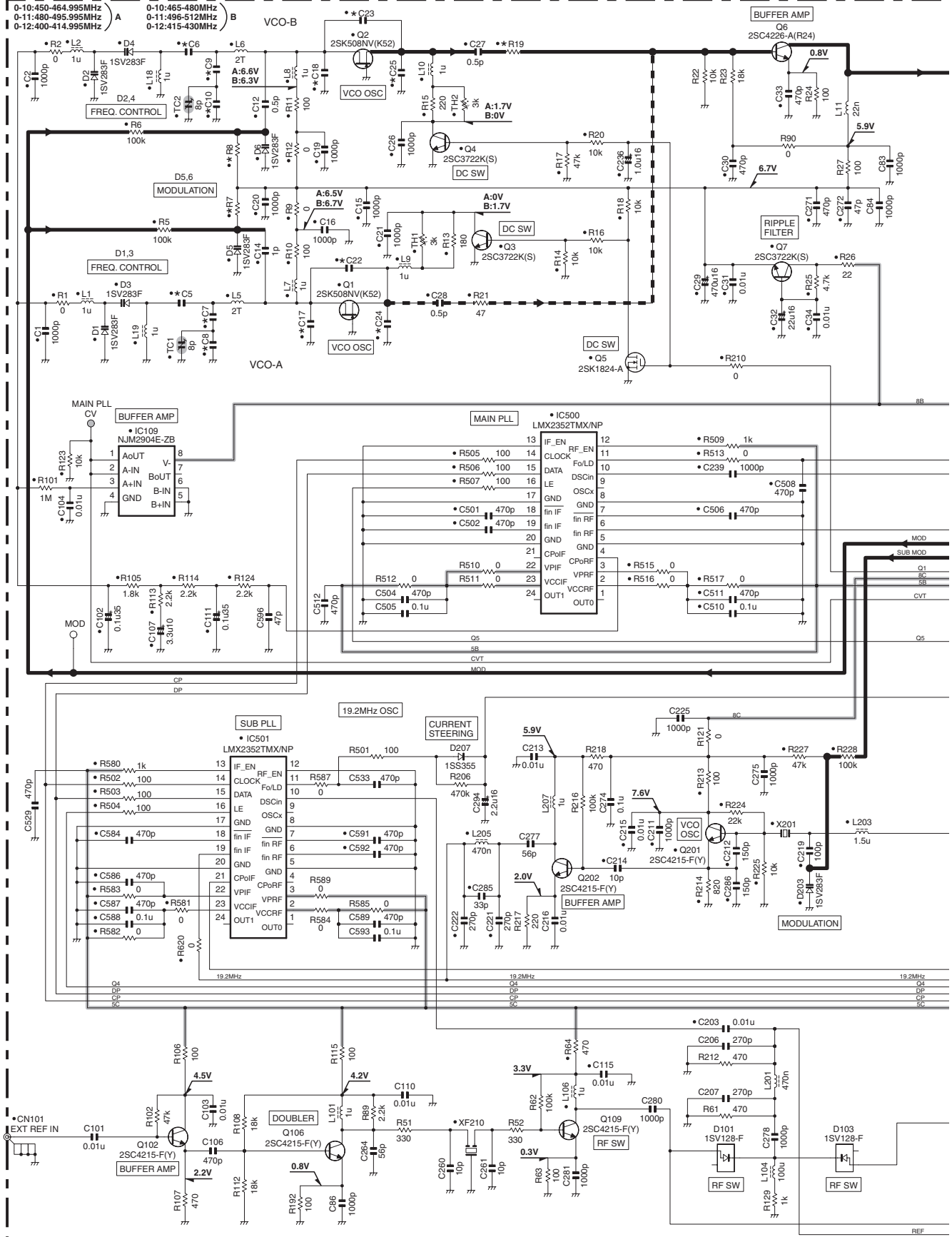
5

6

7

# TKR-840 SCHEMATIC DIAGRAM

TX UNIT (X56-3130-XX)(A/3)

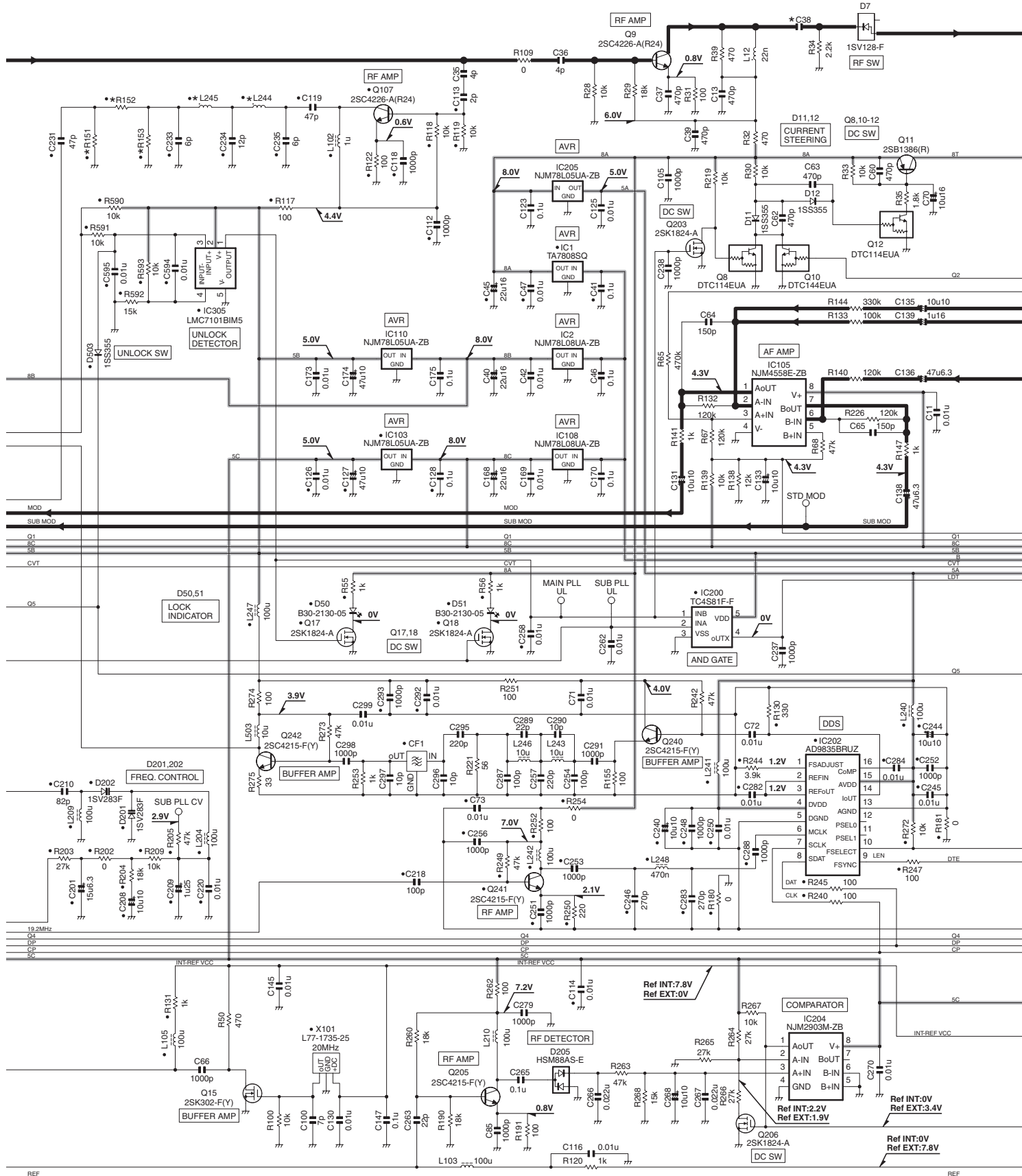


	X56-3130-XX	R7	R8	R19	C5	C6	C7	C8	C9	C10	C17	C18	C22	C23	C24	C25
-10	K	68k	47k	220	7p	7p	15p	4p	15p	5p	7p	7p	9p	7p	11p	8p
-11	K2	82k	47k	47	6p	6p	4p	4p	8p	4p	7p	6p	7p	6p	10p	8p
-12	K3	150k	100k	220	10p	9p	16p	8p	15p	8p	8p	7p	15p	15p	15p	15p



# SCHEMATIC DIAGRAM TKR-840

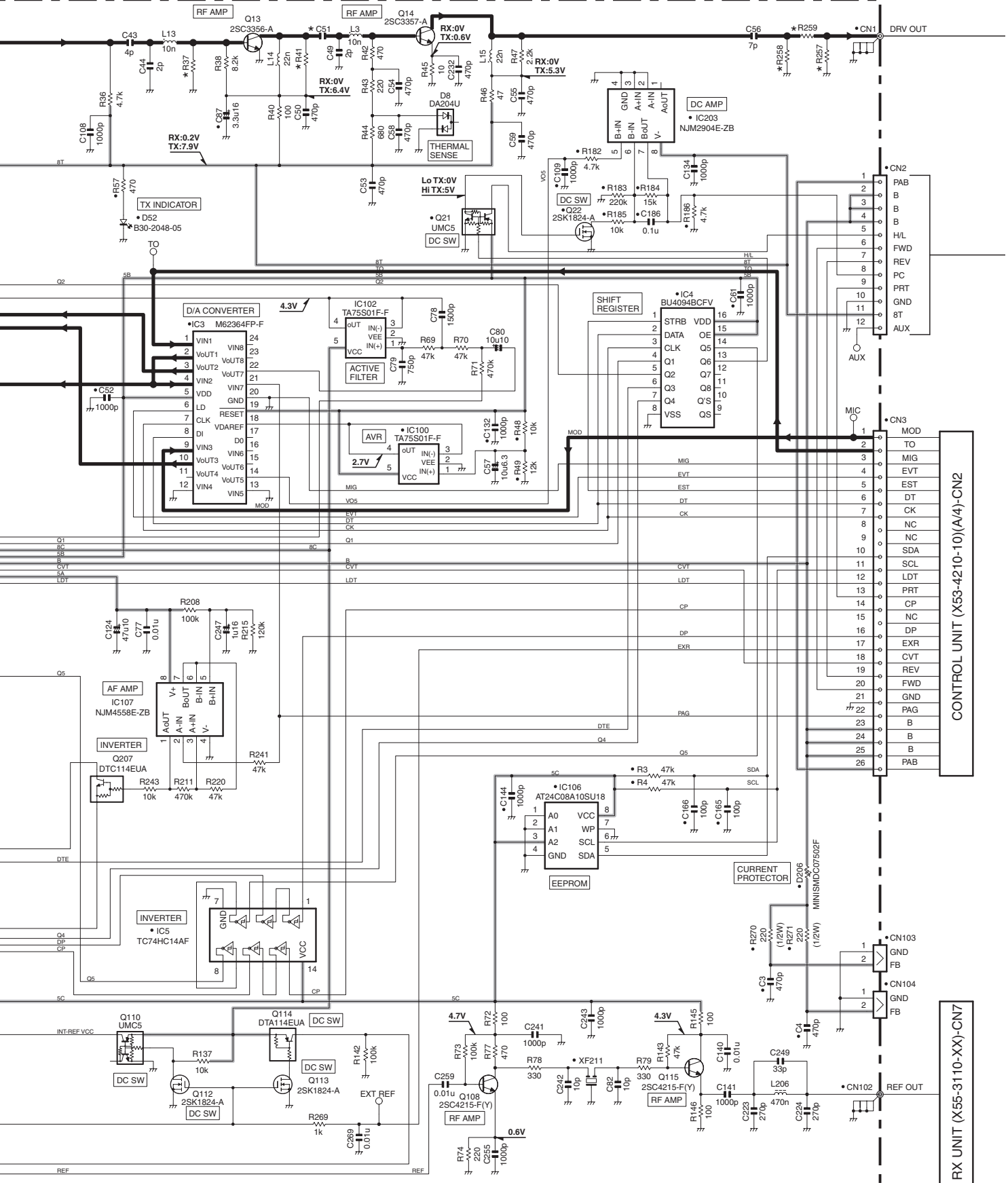
TX UNIT (X56-3130-XX)(A/3)



X56-3130-XX	L224	L245	R151	R152	R153	C38	
-10	K	18n	18n	270	18	270	5p
-11	K2	18n	18n	NO	0	NO	4p
-12	K3	22n	22n	150	39	150	6p

# TKR-840 SCHEMATIC DIAGRAM

TX UNIT (X56-3130-XX)(A/3)

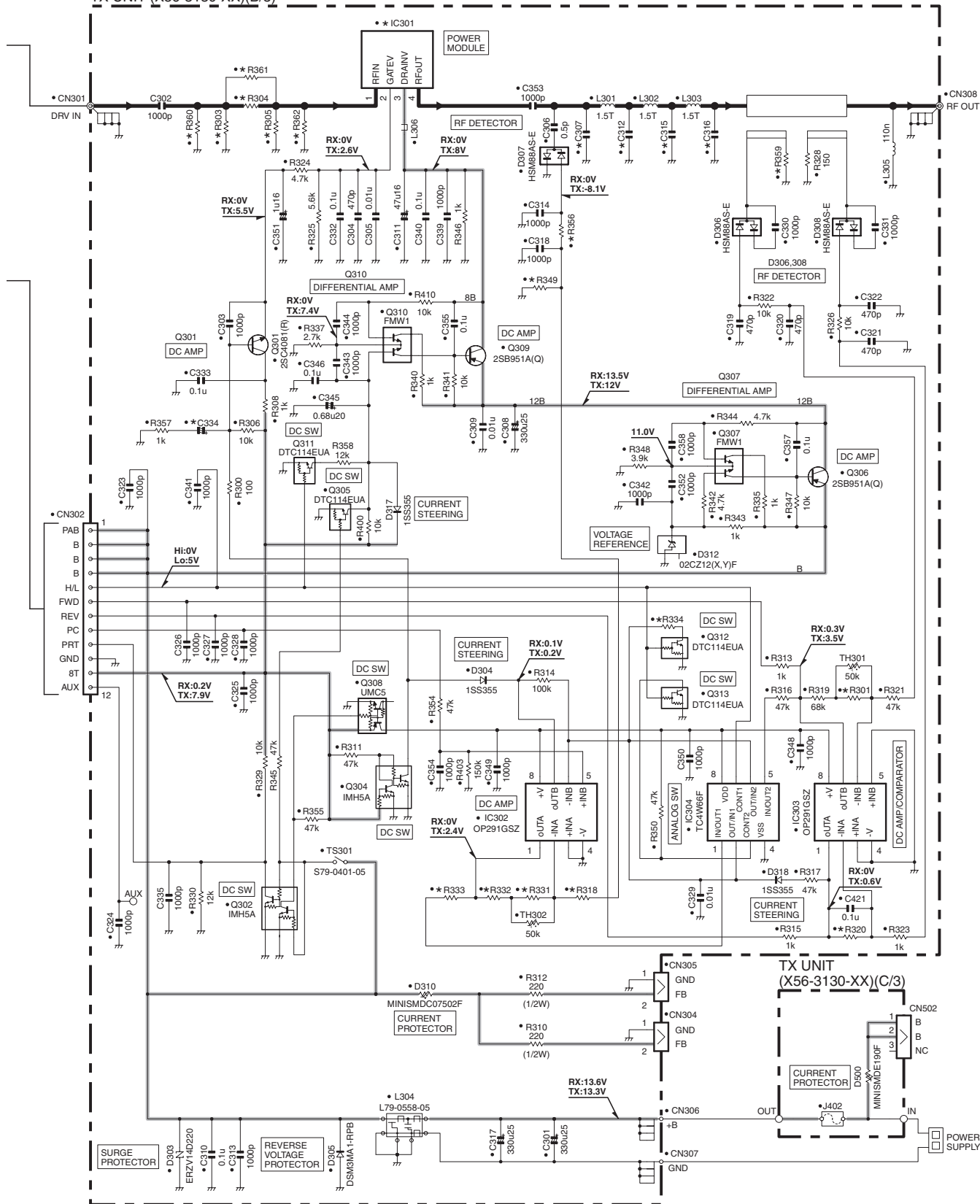


X56-3130-XX	R37	R41	R257	R258	R259	C51
-10	K	3.9k	1.5k	270	270	18
-11	K2	3.9k	1.5k	270	270	18
-12	K3	1.2k	100	470	470	12

# SCHEMATIC DIAGRAM TKR-840

Note : The components marked with a dot (●) are parts of layer 1.

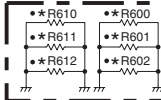
TX UNIT (X56-3130-XX)(B/3)



X56-3130-XX	IC301	R301	R303	R304	R305	R318	R320	R331	R332	R333	R334	
-10	K	RA07M4452M101	47k	1.8k	12	1.8k	47k	220k	47k	68k	10k	100k
-11	K2	RA07M4452M101	56k	1.8k	12	1.8k	47k	100k	39k	68k	10k	100k
-12	K3	RA07M4047M-01	8.2k	1.2k	18	1.2k	10k	100k	27k	180k	47k	10k

X56-3130-XX	R349	R356	R359	R360	R361	R362	C307	C312	C315	C316	C334	
-10	K	22k	100k	330	1.8k	12	1.8k	2p	8p	10p	8p	0.22u35
-11	K2	22k	100k	180	1.8k	12	1.8k	3p	7p	9p	7p	0.47u25
-12	K3	220k	47k	100	1.2k	18	1.2k	NO	10p	15p	8p	0.22u35

DESTINATION MARK



X56-3130-XX	R600	R601	R602	R610	R611	R612
-10	K	0	NO	NO	0	NO
-11	K2	NO	0	NO	NO	0
-12	K3	NO	NO	0	NO	0

# TKR-840

## SPECIFICATIONS

### GENERAL

Frequency range .....	RX : 450~480MHz:K, 480~512MHz:K2, 400~430MHz:K3 TX : 450~480MHz:K, 480~512MHz:K2, 400~430MHz:K3
Input volta .....	13.8V DC negative ground
Temperature range .....	-22°F to +140°F (-30°C to +60°C)
Frequency stability .....	±0.00015% (-22°F to +140°F)
Antenna impedance .....	50Ω
Channel Spacing .....	Wide : 25 kHz, Narrow : 12.5 kHz (PLL channel stepping 5 kHz, 6.25 kHz)
Channels quantity .....	32
Duty cycle .....	100%
Dimensions (including protrusions) .....	19 in (483mm) W × 1-3/4 in (44mm) H × 12 in (305mm) D
Weight .....	8.8lbs. (4kg)

### RECEIVER

Sensitivity (EIA 12dB SINAD) .....	0.30μV
Selectivity .....	Wide : 90dB at ±25kHz Narrow : 82dB at ±12.5kHz
Channel Frequency Spread .....	5 MHz
Spurious and image rejection .....	100 dB
Intermodulation .....	Wide : 85dB at ±25kHz/±50kHz Narrow : 80dB at ±12.5kHz/±25kHz
FM Hum and Noise .....	Wide : 60dB, Narrow : 55dB

### TRANSMITTER

RF power output .....	5W
Channel Frequency Spread .....	30MHz:K, K3 32MHz:K2
Type of Emiss .....	11K0F3E, 16K0F3E
Audio distortion .....	Less than 1% at 1000Hz
Spurious and emission .....	70dB 60dB (at 100mW)
FM Noise .....	Wide : 55dB, Narrow : 50dB

KENWOOD follows a policy of continuous advancement in development. For this reason specifications may be changed without notice.

## Kenwood Corporation

2967-3, Ishikawa-machi, Hachioji-shi, Tokyo, 192-8525 Japan

### Kenwood U.S.A. Corporation

P.O. BOX 22745, 2201 East Dominguez Street, Long Beach, CA 90801-5745, U.S.A.

### Kenwood Electronics Canada Inc.

6070 Kestrel Road, Mississauga, Ontario, Canada L5T 1S8

### Kenwood Electronics Deutschland GmbH

Rembrücker Str. 15, 63150 Heusenstamm, Germany

### Kenwood Electronics Belgium N.V.

Leuvensesteenweg 248 J, 1800 Vilvoorde, Belgium

### Kenwood Electronics France S.A.

L'Etoile Paris Nord 2, 50 Allée des Impressionnistes, Bp 58416 Villepinte, 95944 Roissy Ch De Gaulle Cedex

### Kenwood Electronics UK Limited

KENWOOD House, Dwight Road, Watford, Herts., WD18 9EB United Kingdom

### Kenwood Electronics Europe B.V.

Amsterdamseweg 37, 1422 AC Uithoorn, The Netherlands

### Kenwood Electronics Italia S.p.A.

Via G. Sirtori, 7/9 20129 Milano, Italy

### Kenwood Ibérica, S.A.

Bolivia, 239-08020 Barcelona, Spain

### Kenwood Electronics Australia Pty. Ltd.

(A.C.N. 001 499 074)

16 Giffnock Avenue, Centrecourt Estate, North Ryde, N.S.W. 2113 Australia

### Kenwood Electronics (Hong Kong) Ltd.

Unit 3712-3724, Level 37, Tower one Metroplaza, 223 Hing Fong Road, Kwai Fong, N.T., Hong Kong

### Kenwood Electronics Singapore Pte Ltd

1 Ang Mo Kio Street 63, Singapore 569110

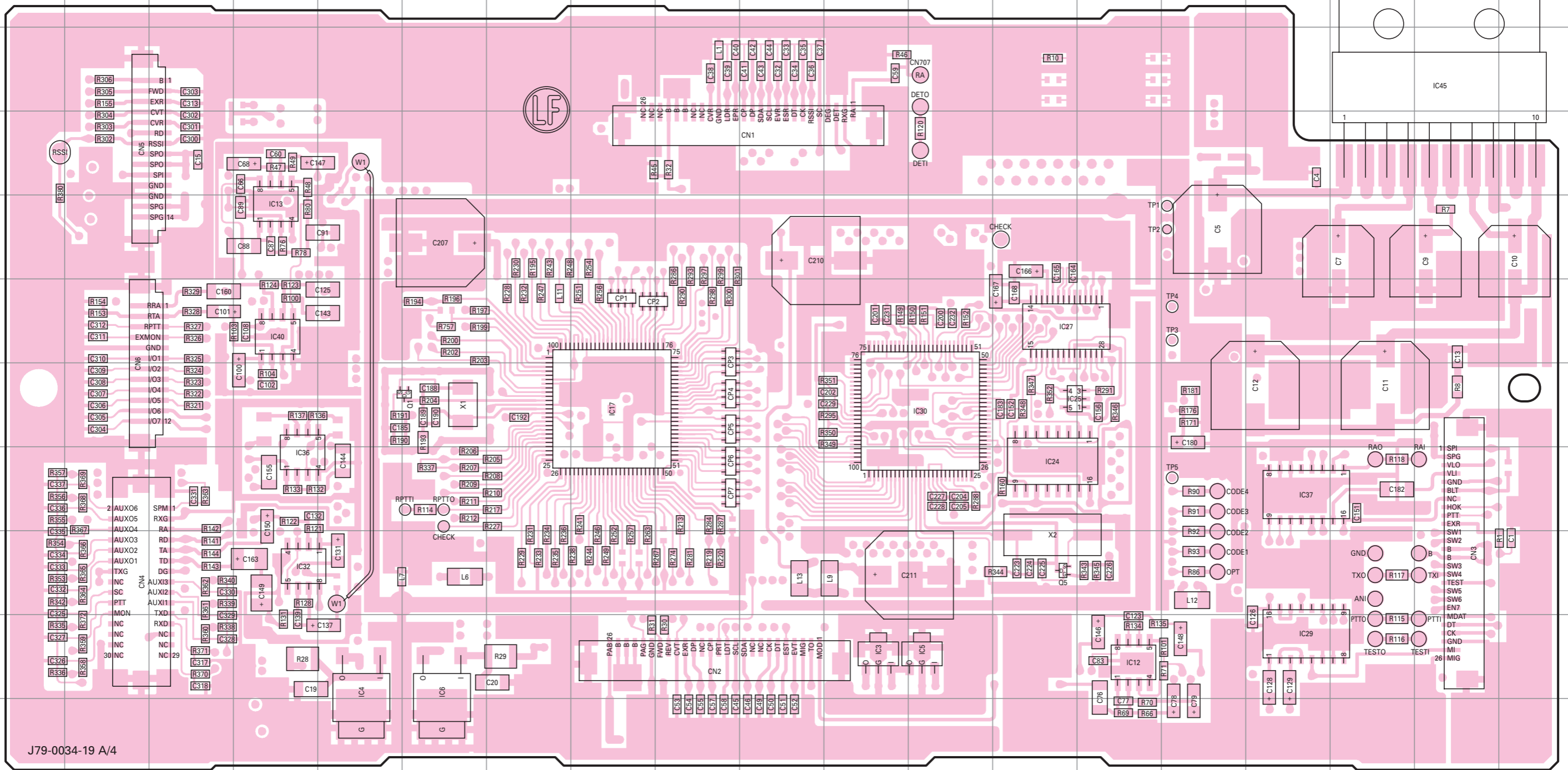


# TKR-840 PC BOARD

# PC BOARD TKR-840

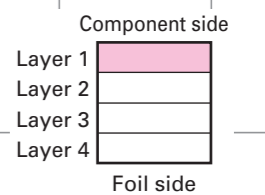
**CONTROL UNIT (X53-4210-10) (A/4)**  
**Component side view (J79-0034-19 A/4)**

**CONTROL UNIT (X53-4210-10) (A/4)**  
**Component side view (J79-0034-19 A/4)**



J79-0034-19 A/4

Ref. No.	Address	Ref. No.	Address	Ref. No.	Address
IC3	10K	IC24	8M	IC37	8P
IC4	10E	IC25	7M	IC40	6D
IC5	10L	IC27	6M	IC45	3R
IC6	10F	IC29	10P	Q1	7F
IC12	10N	IC30	7L	Q5	9M
IC13	5D	IC32	9D		
IC17	7H	IC36	8D		

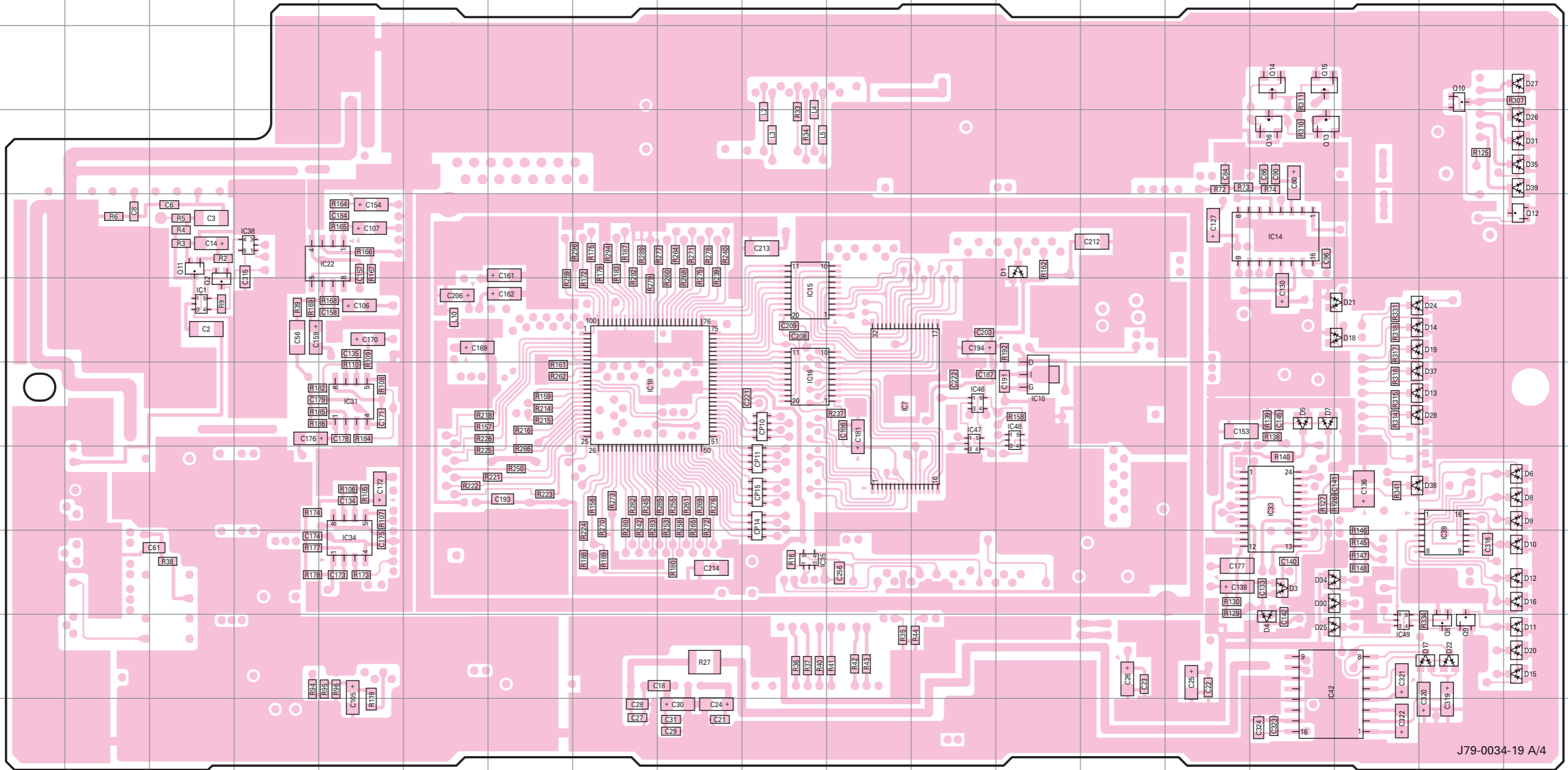


# TKR-840 PC BOARD

# PC BOARD TKR-840

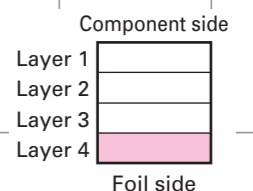
CONTROL UNIT (X53-4210-10) (A/4)  
Foil side view (J79-0034-19 A/4)

CONTROL UNIT (X53-4210-10) (A/4)  
Foil side view (J79-0034-19 A/4)



J79-0034-19 A/4

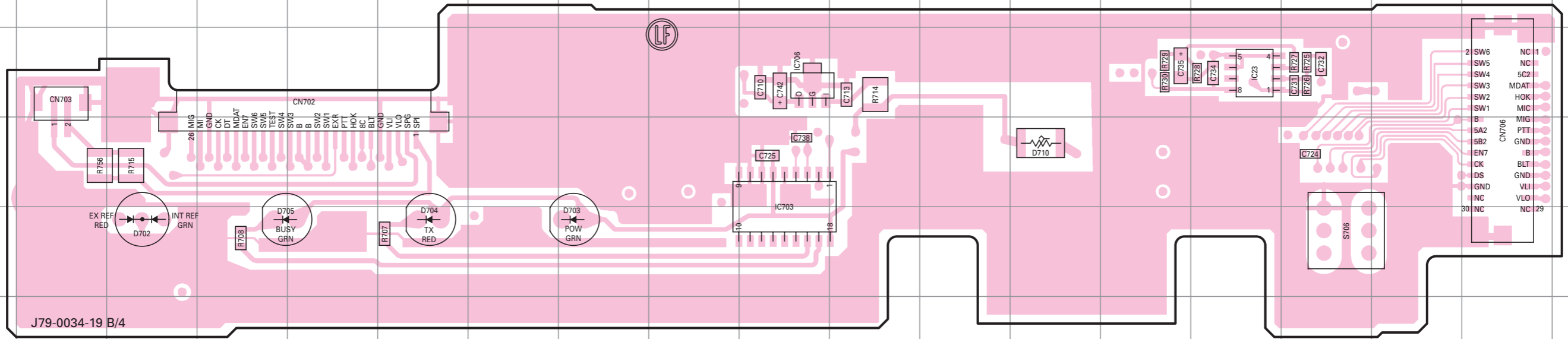
Ref. No.	Address	Ref. No.	Address	Ref. No.	Address	Ref. No.	Address	Ref. No.	Address	Ref. No.	Address	Ref. No.	Address	Ref. No.	Address		
IC1	6C	IC22	5E	IC42	10P	Q9	10R	Q16	4P	D8	8S	D15	10S	D22	10R	D31	4S
IC7	7K	IC31	7E	IC46	7L	Q10	3R	D1	5M	D9	8S	D16	9S	D24	6Q	D34	9P
IC10	7M	IC33	8P	IC47	7L	Q11	5C	D3	9P	D10	9S	D17	10R	D25	10P	D35	4S
IC14	5P	IC34	9E	IC48	7M	Q12	5S	D4	10P	D11	10S	D18	6Q	D26	4S	D37	7Q
IC15	6J	IC35	9J	IC49	10Q	Q13	4P	D5	7P	D12	9S	D19	6Q	D27	3S	D38	8Q
IC16	7J	IC38	5D	Q2	6C	Q14	3P	D6	8S	D13	7Q	D20	10S	D28	7Q	D39	4S
IC18	7H	IC39	9R	Q8	10R	Q15	3P	D7	7P	D14	6Q	D21	6Q	D30	9P		



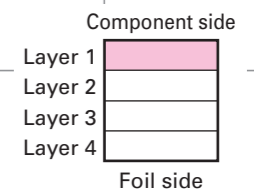
# TKR-840 PC BOARD

# PC BOARD TKR-840

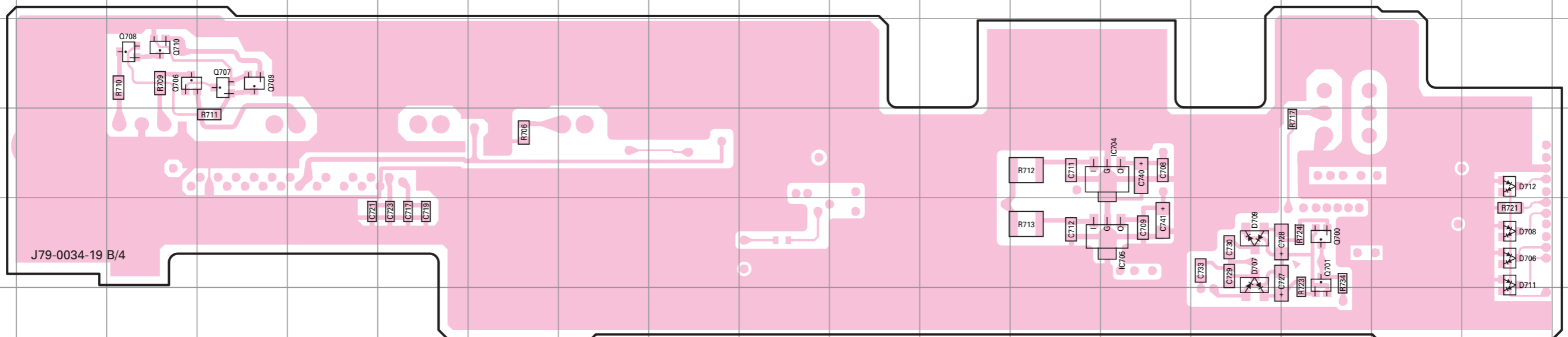
**CONTROL UNIT (X53-4210-10) (B/4)**  
**Component side view (J79-0034-19 B/4)**



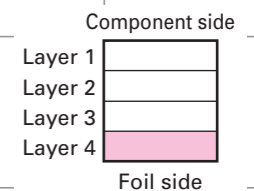
Ref. No.	Address	Ref. No.	Address
IC23	3O	D703	5H
IC703	4J	D704	5F
IC706	3J	D705	5D
D702	5C	D710	4M



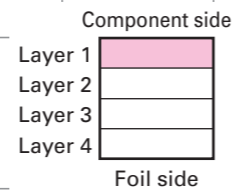
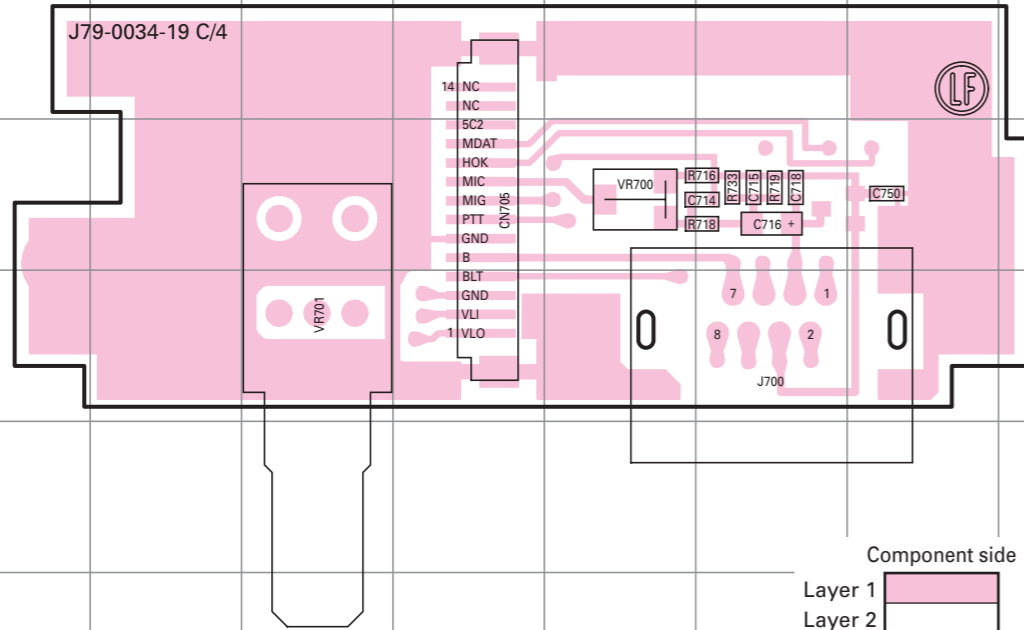
**CONTROL UNIT (X53-4210-10) (B/4)**  
**Foil side view (J79-0034-19 B/4)**



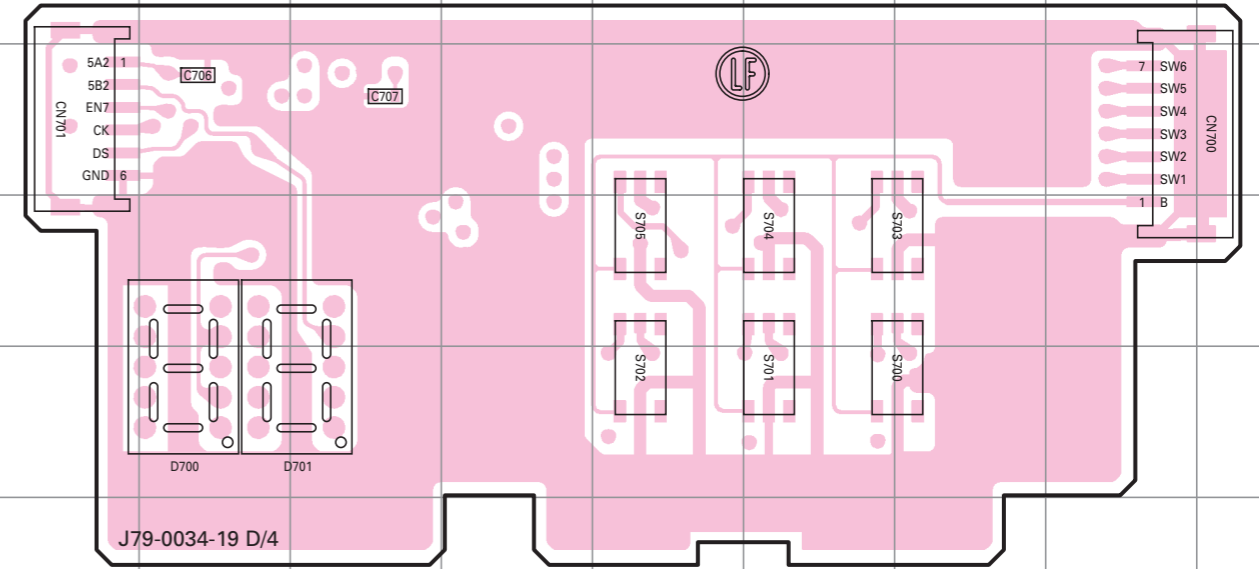
Ref. No.	Address	Ref. No.	Address	Ref. No.	Address	Ref. No.	Address
IC704	10N	Q706	9C	Q710	9C	D709	11O
IC705	11N	Q707	9D	D706	11R	D711	11R
Q700	11P	Q708	9C	D707	11O	D712	10R
Q701	11P	Q709	9D	D708	11R		



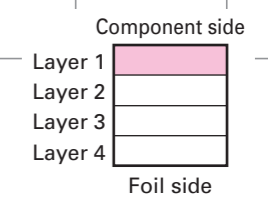
**CONTROL UNIT (X53-4210-10) (C/4)**  
**Component side view (J79-0034-19 C/4)**



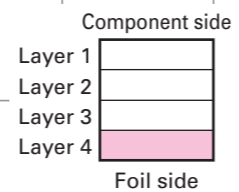
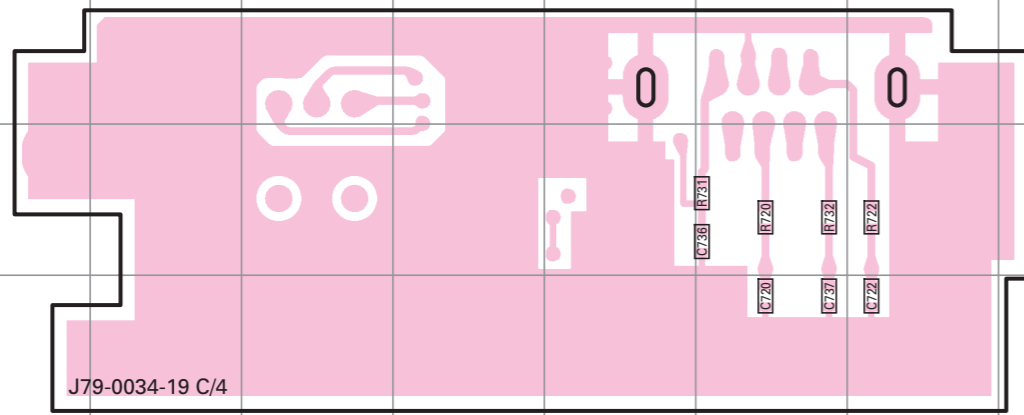
**CONTROL UNIT (X53-4210-10) (D/4)**  
**Component side view (J79-0034-19 D/4)**



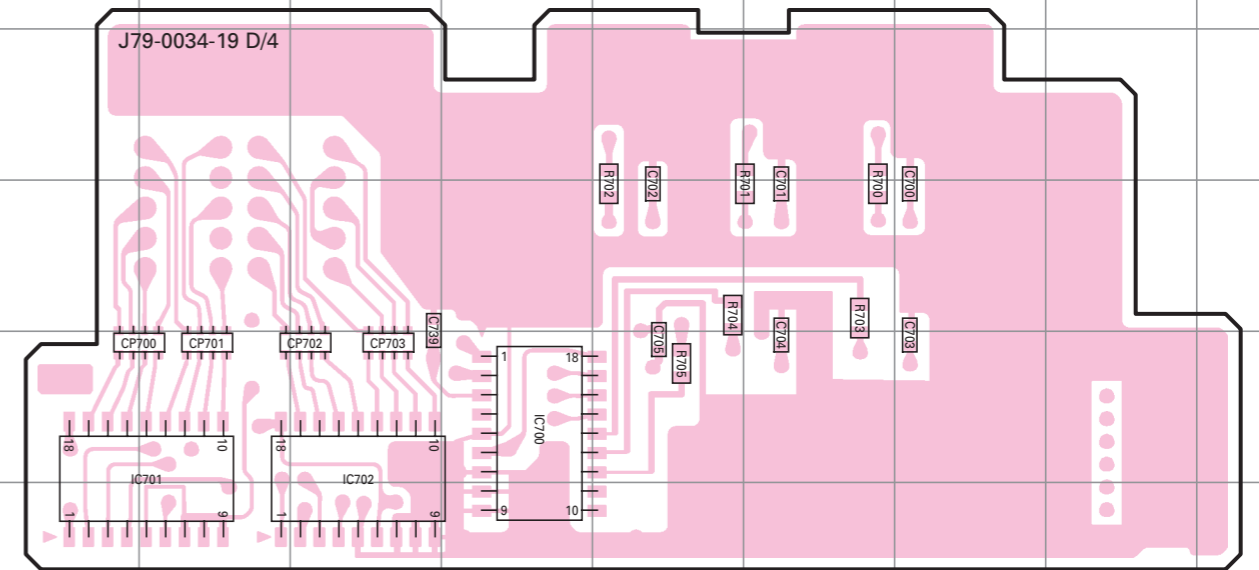
Ref. No.	Address
D700	5C
D701	5D



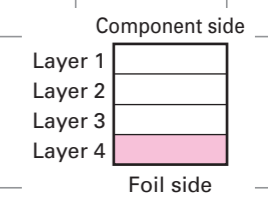
**CONTROL UNIT (X53-4210-10) (C/4)**  
**Foil side view (J79-0034-19 C/4)**



**CONTROL UNIT (X53-4210-10) (D/4)**  
**Foil side view (J79-0034-19 D/4)**



Ref. No.	Address
IC700	11E
IC701	11C
IC702	11D



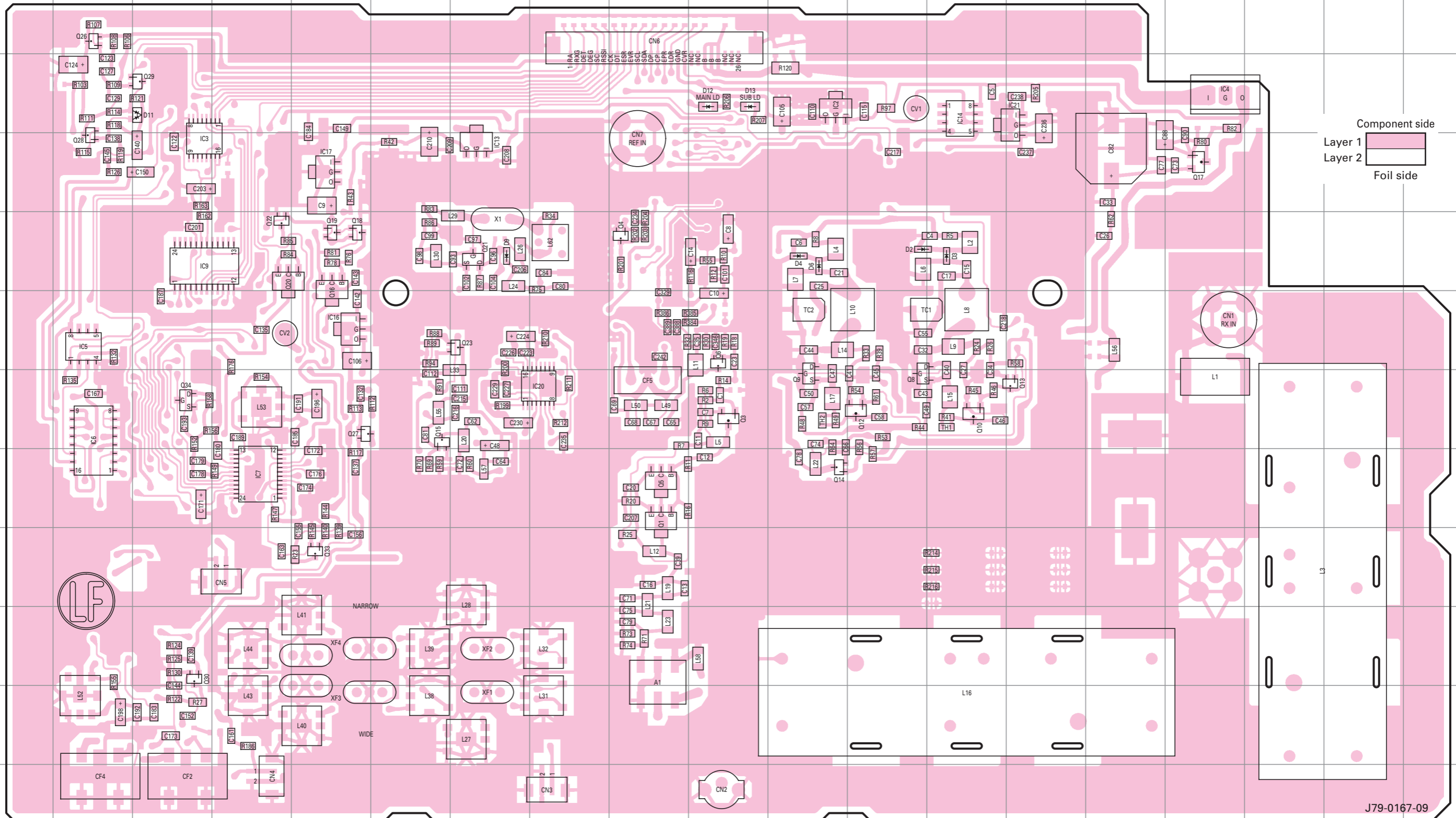


# TKR-840 PC BOARD

# PC BOARD TKR-840

RX UNIT (X55-3110-XX) -10 : K -11 : K2 -12 : K3  
Component side view (J79-0167-09)

RX UNIT (X55-3110-XX) -10 : K -11 : K2 -12 : K3  
Component side view (J79-0167-09)



Ref. No.	Address	Ref. No.	Address	Ref. No.	Address	Ref. No.	Address	Ref. No.	Address	Ref. No.	Address	Ref. No.	Address	Ref. No.	Address	Ref. No.	Address	Ref. No.	Address	Ref. No.	Address	Ref. No.	Address
IC2	3K	IC6	7B	IC14	3M	Q1	8I	Q6	6J	Q12	7L	Q16	6E	Q20	5D	Q26	2B	Q34	7C	D6	5K	D13	3J
IC3	4C	IC7	8D	IC16	6E	Q3	7J	Q8	7L	Q13	7N	Q17	4P	Q21	5G	Q27	7E	D2	5L	D9	5G		
IC4	3P	IC9	5C	IC20	7H	Q4	5I	Q9	7K	Q14	8K	Q18	5E	Q22	5D	Q28	4B	D3	5M	D11	3C		
IC5	6B	IC13	4G	IC21	3N	Q5	8I	Q10	7M	Q15	7F	Q19	5E	Q23	6G	Q29	3C	D4	5K	D12	3J		

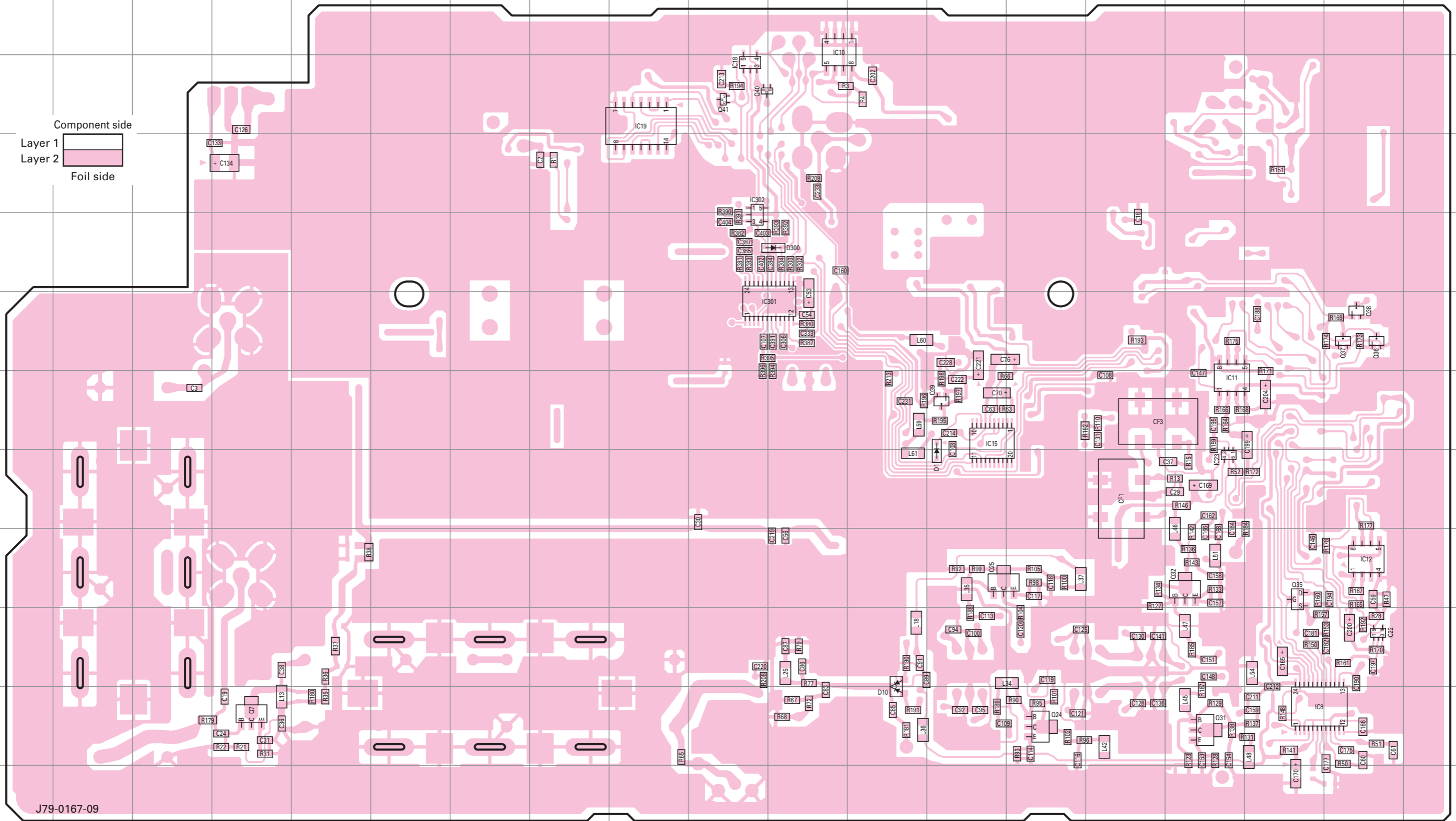
# TKR-840 PC BOARD

# PC BOARD TKR-840

RX UNIT (X55-3110-XX) -10 : K -11 : K2 -12 : K3  
Foil side view (J79-0167-09)

RX UNIT (X55-3110-XX) -10 : K -11 : K2 -12 : K3  
Foil side view (J79-0167-09)

Component side  
Layer 1  
Layer 2  
Foil side



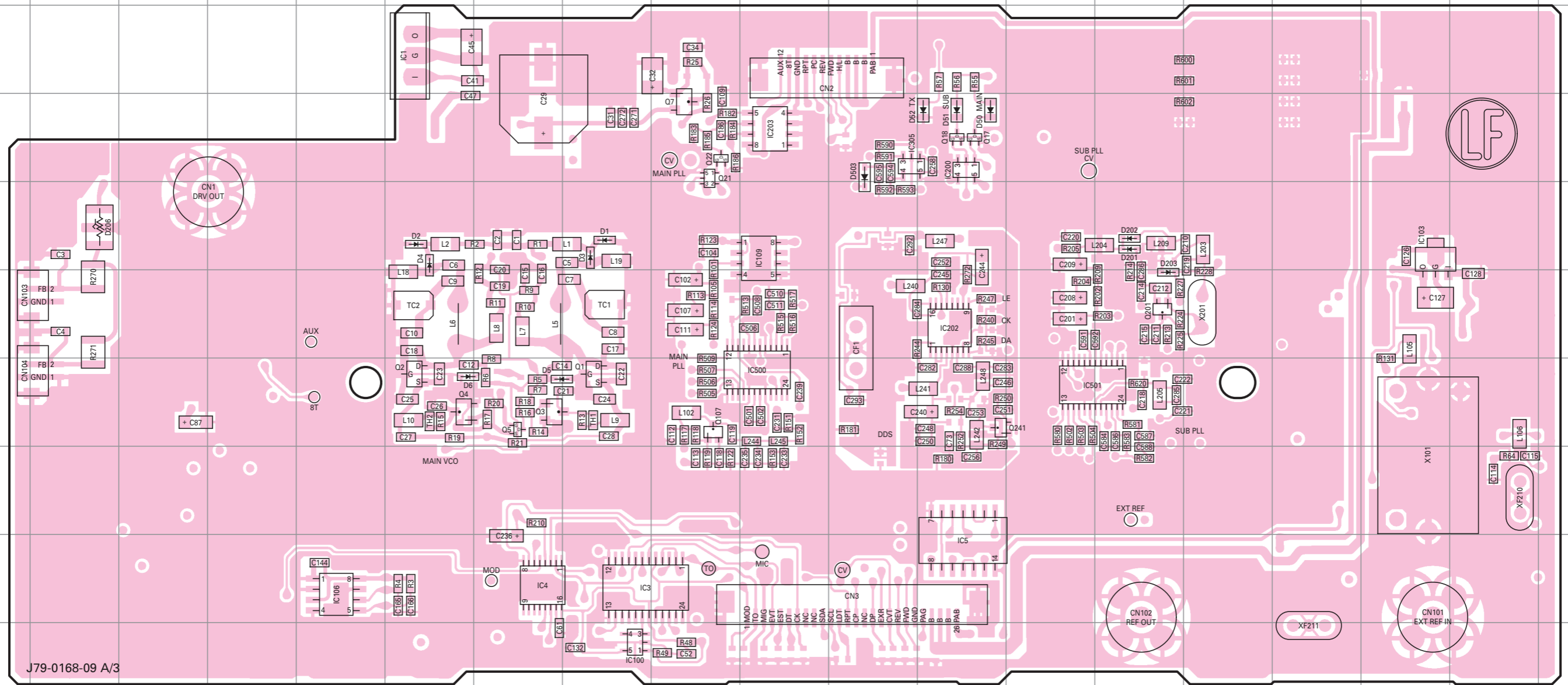
Ref. No.	Address	Ref. No.	Address	Ref. No.	Address	Ref. No.	Address	Ref. No.	Address	Ref. No.	Address	Ref. No.	Address
IC8	11Q	IC15	7M	IC23	8P	Q24	11N	Q35	9Q	Q39	7M	D10	11L
IC10	2K	IC18	3J	IC301	6K	Q25	9M	Q36	6R	Q40	3J	D300	5K
IC11	7P	IC19	3I	IC302	5J	Q31	11P	Q37	6R	Q41	3J		
IC12	9R	IC22	10R	Q7	11D	Q32	9P	Q38	6R	D1	8M		

# TKR-840 PC BOARD

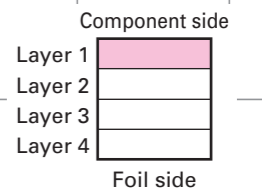
# PC BOARD TKR-840

**TX UNIT (X56-3130-XX) (A/3) -10 : K -11 : K2 -12 : K3**  
**Component side view (J79-0168-09 A/3)**

**TX UNIT (X56-3130-XX) (A/3) -10 : K -11 : K2 -12 : K3**  
**Component side view (J79-0168-09 A/3)**



Ref. No.	Address	Ref. No.	Address	Ref. No.	Address	Ref. No.	Address	Ref. No.	Address	Ref. No.	Address
IC1	3F	IC109	5J	Q1	7H	Q18	4L	D2	5F	D52	4L
IC3	9H	IC200	4L	Q2	7F	Q21	4I	D3	5H	D201	5N
IC4	9G	IC202	6L	Q3	7G	Q22	4I	D4	5F	D202	5N
IC5	9L	IC203	4J	Q4	7F	Q107	7I	D5	7G	D203	6N
IC100	10H	IC305	4K	Q5	7G	Q201	6N	D6	7F	D206	5B
IC103	5Q	IC500	7J	Q7	4I	Q241	7L	D50	4L	D503	4K
IC106	9E	IC501	7M	Q17	4L	D1	5H	D51	4L		

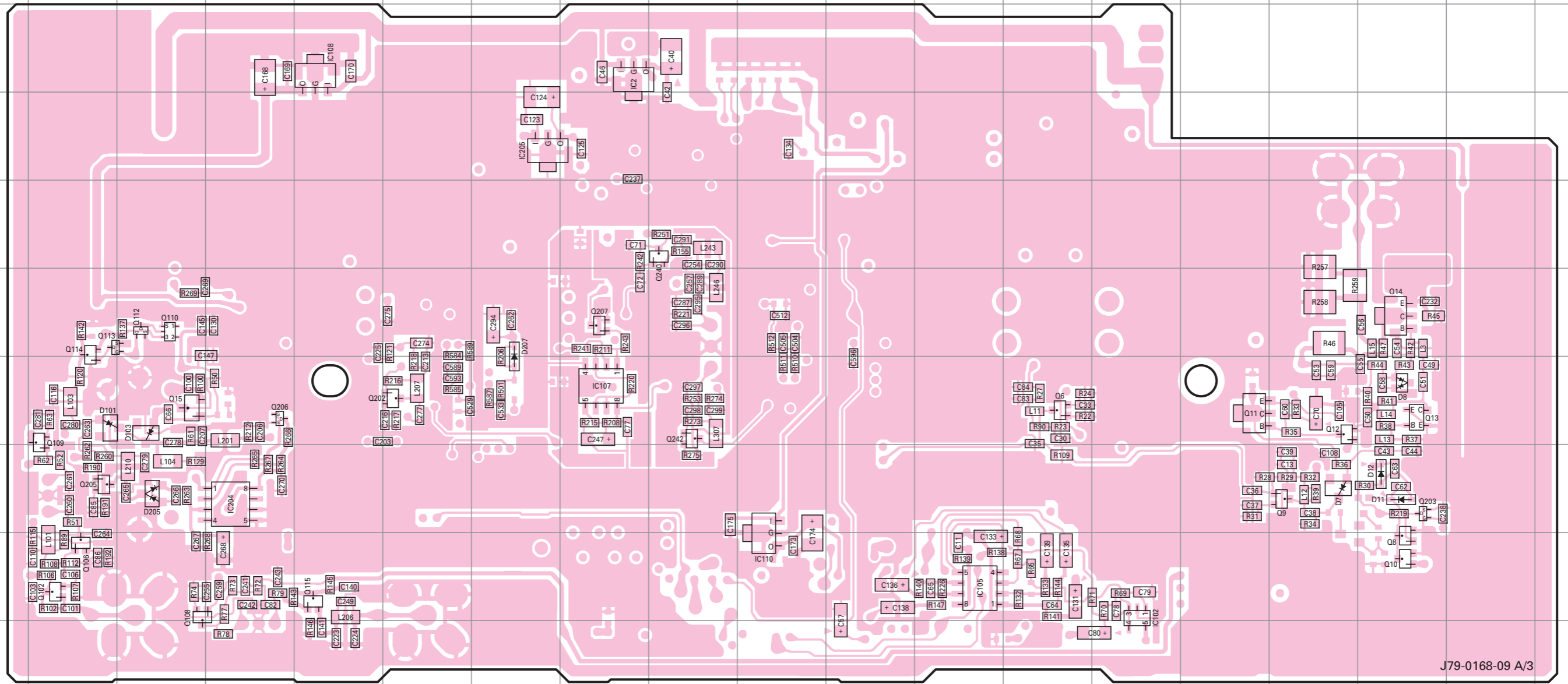


# TKR-840 PC BOARD

# PC BOARD TKR-840

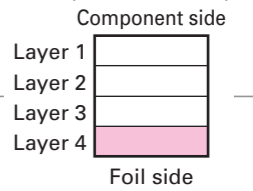
**TX UNIT (X56-3130-XX) (A/3) -10 : K -11 : K2 -12 : K3**  
**Foil side view (J79-0168-09 A/3)**

**TX UNIT (X56-3130-XX) (A/3) -10 : K -11 : K2 -12 : K3**  
**Foil side view (J79-0168-09 A/3)**



J79-0168-09 A/3

Ref. No.	Address	Ref. No.	Address	Ref. No.	Address	Ref. No.	Address	Ref. No.	Address	Ref. No.	Address
IC2	3H	IC205	4G	Q13	7Q	Q110	6C	Q205	8B	D11	8Q
IC102	9N	Q6	7M	Q14	6Q	Q112	6C	Q206	7D	D12	8Q
IC105	9L	Q8	9Q	Q15	7C	Q113	6B	Q207	6H	D101	7B
IC107	7H	Q9	8P	Q102	9B	Q114	6B	Q240	5I	D103	7C
IC108	3E	Q10	9Q	Q106	9B	Q115	9E	Q242	7I	D205	8C
IC110	9J	Q11	7O	Q108	9C	Q202	7F	D7	8P	D207	6G
IC204	8D	Q12	7P	Q109	7B	Q203	8Q	D8	7Q		



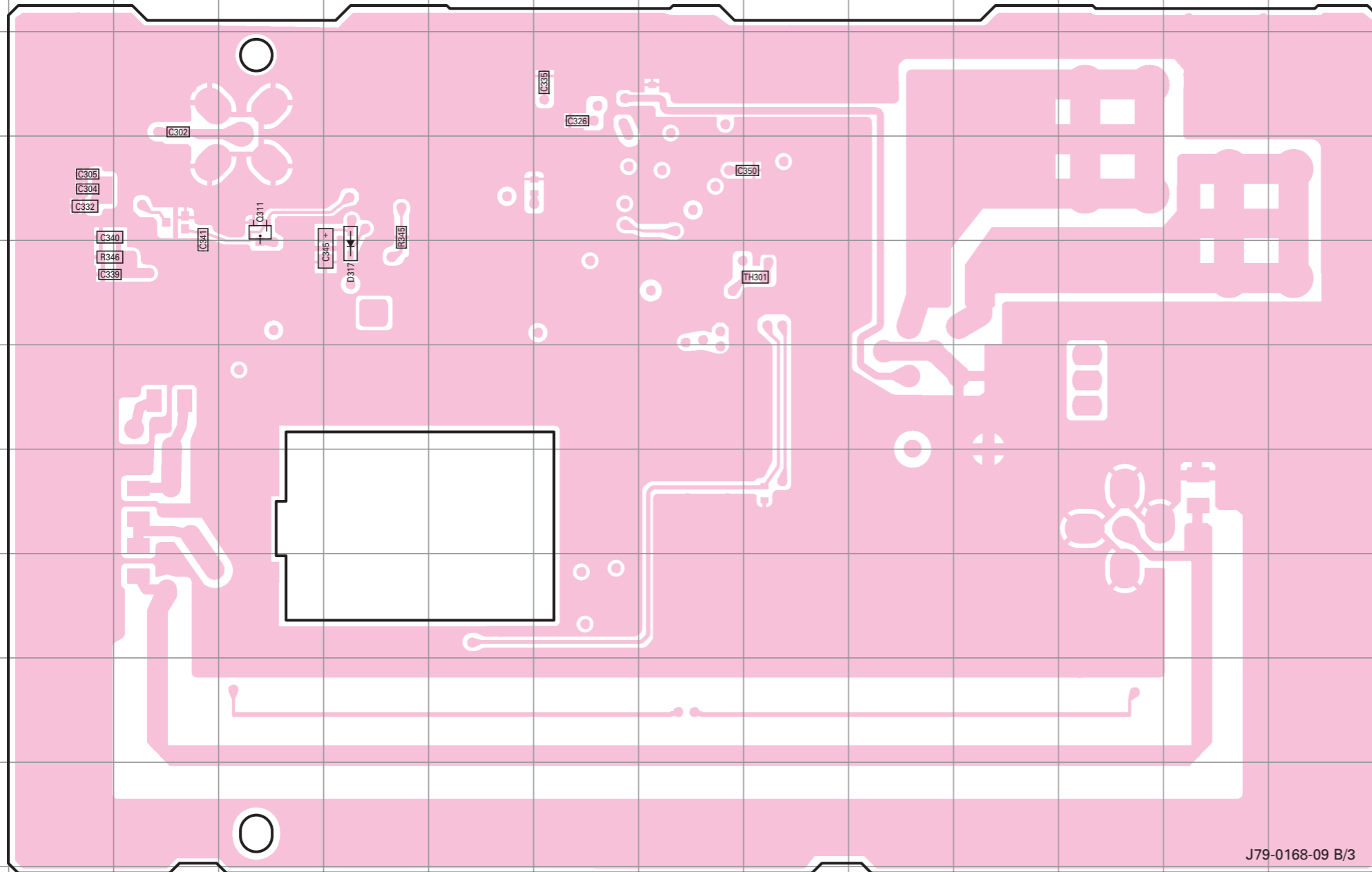


# TKR-840 PC BOARD

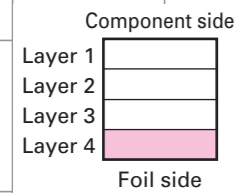
# PC BOARD TKR-840

**TX UNIT (X56-3130-XX) (B/3)**  
**-10 : K -11 : K2 -12 : K3**  
**Foil side view (J79-0168-09 B/3)**

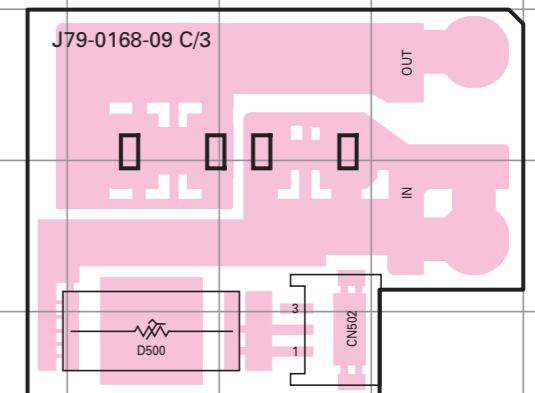
**TX UNIT (X56-3130-XX) (B/3)**  
**-10 : K -11 : K2 -12 : K3**  
**Foil side view (J79-0168-09 B/3)**



Ref. No.	Address
Q311	4D
D317	5E



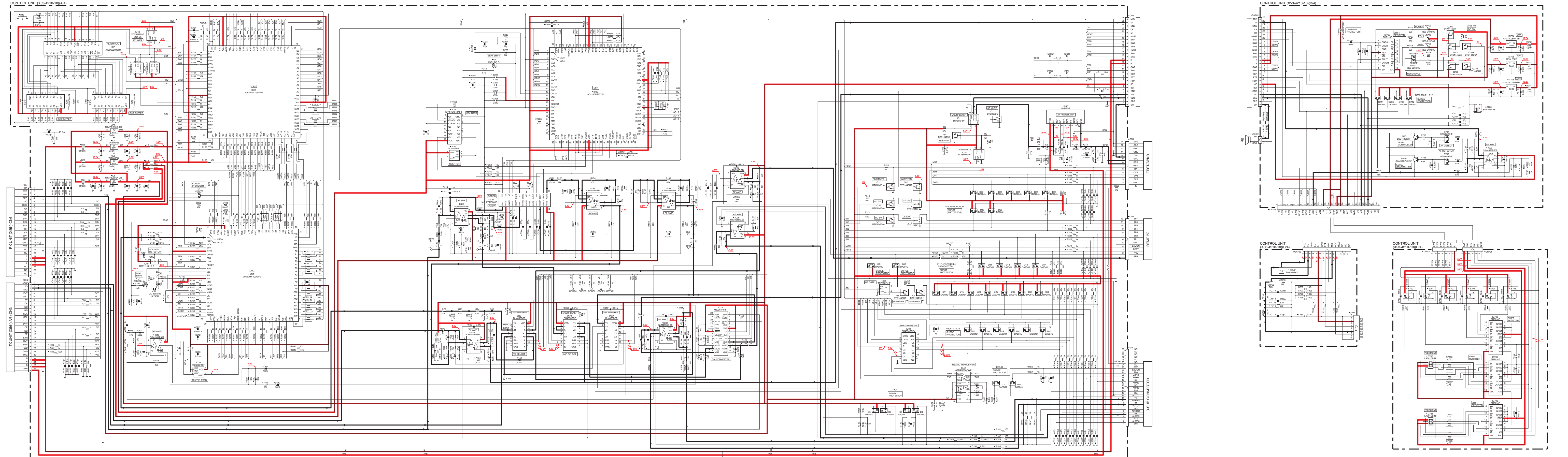
**TX UNIT (X56-3130-XX) (C/3)**  
**-10 : K -11 : K2 -12 : K3**  
**Foil side view (J79-0168-09 C/3)**



Ref. No.	Address
D500	13P

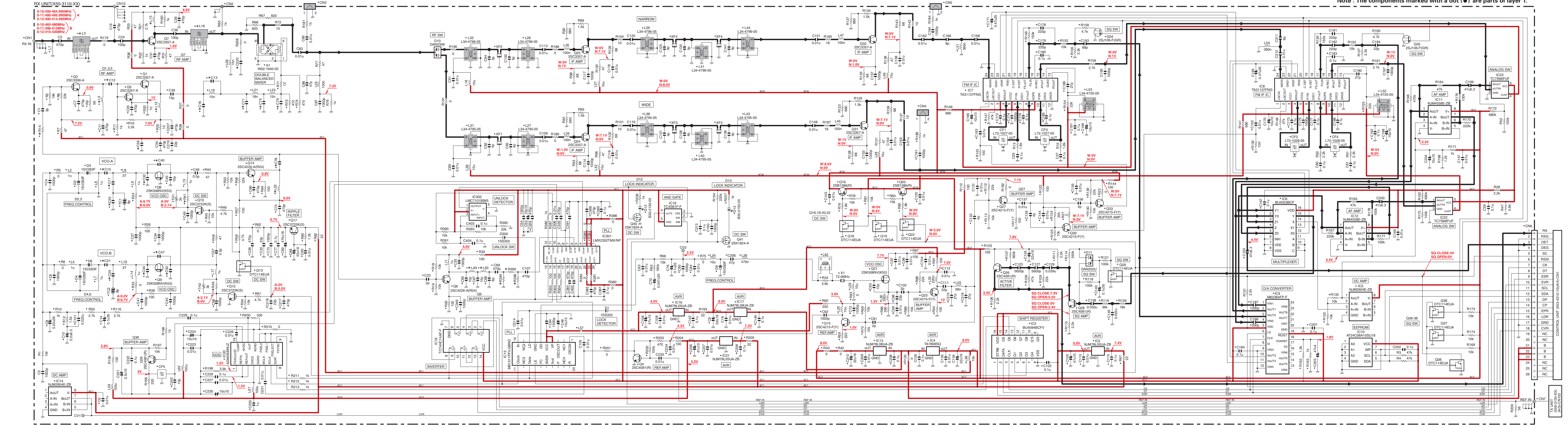
# TKR-840 SCHEMATIC DIAGRAM

Note : The components marked with a dot (●) are parts of layer 1.



# TKR-840 SCHEMATIC DIAGRAM

Note : The components marked with a dot (●) are parts of layer 1.



X55-3110-XX	L3	L5	L12	L13	L16	L22	R14	R41	R49	C12	C13	C15	C16	C21	C25	C32	C40	C44	C47	C50	C55	C56	C71	C75	C78	C79	C220	
-10	K	L79-1529-05	18n	15n	18n	L79-1529-05	18n	47	270	270	7p	2.5p	6p	8p	12p	5p	10p	8p	7p	7p	10p	NO	NO	15p	15p	4p	8p	7p
-11	K2	L79-1730-05	18n	15n	18n	L79-1730-05	18n	47	270	270	7p	1.5p	5p	6p	4p	5p	7p	7p	7p	7p	10p	NO	NO	15p	15p	4p	8p	7p
-12	K3	L79-1736-05	22n	18n	22n	L79-1736-05	33n	330	470	330	8p	2.5p	9p	9p	8p	15p	9p	12p	9p	11p	10p	NO	NO	18p	18p	5p	9p	9p

X55-3110-XX	L49	L50	R94	R95	R96	
-10	K	18n	18n	100	68	100
-11	K2	18n	18n	100	68	100
-12	K3	22n	22n	82	100	82

DESTINATION MARK	R214	R215	R216
●	NO	NO	NO
○	NO	NO	NO
○	NO	NO	NO

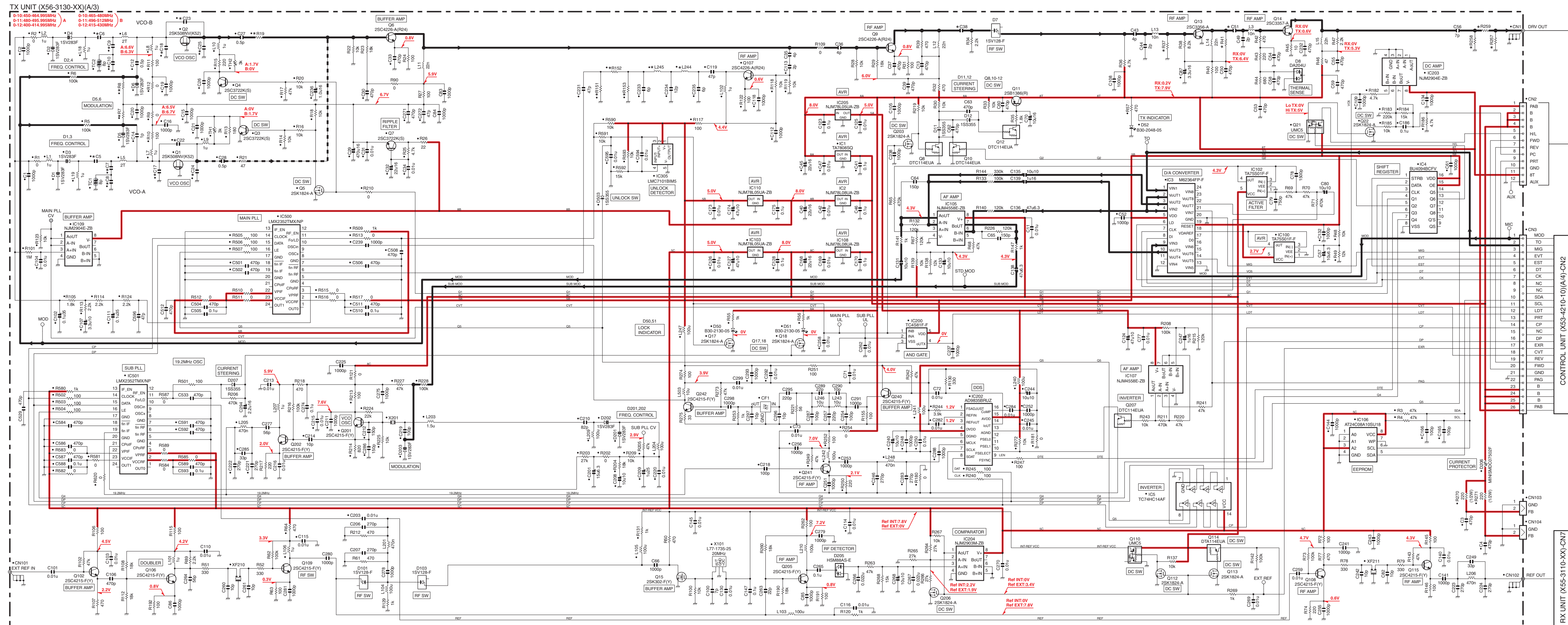
X55-3110-XX	R214	R215	R216	
-10	K	0	NO	NO
-11	K2	NO	NO	NO
-12	K3	NO	NO	0

CONTROL UNIT X55-4215-10(A)/CN1

TX UNIT X55-3110-XX (AS-CONT'D)



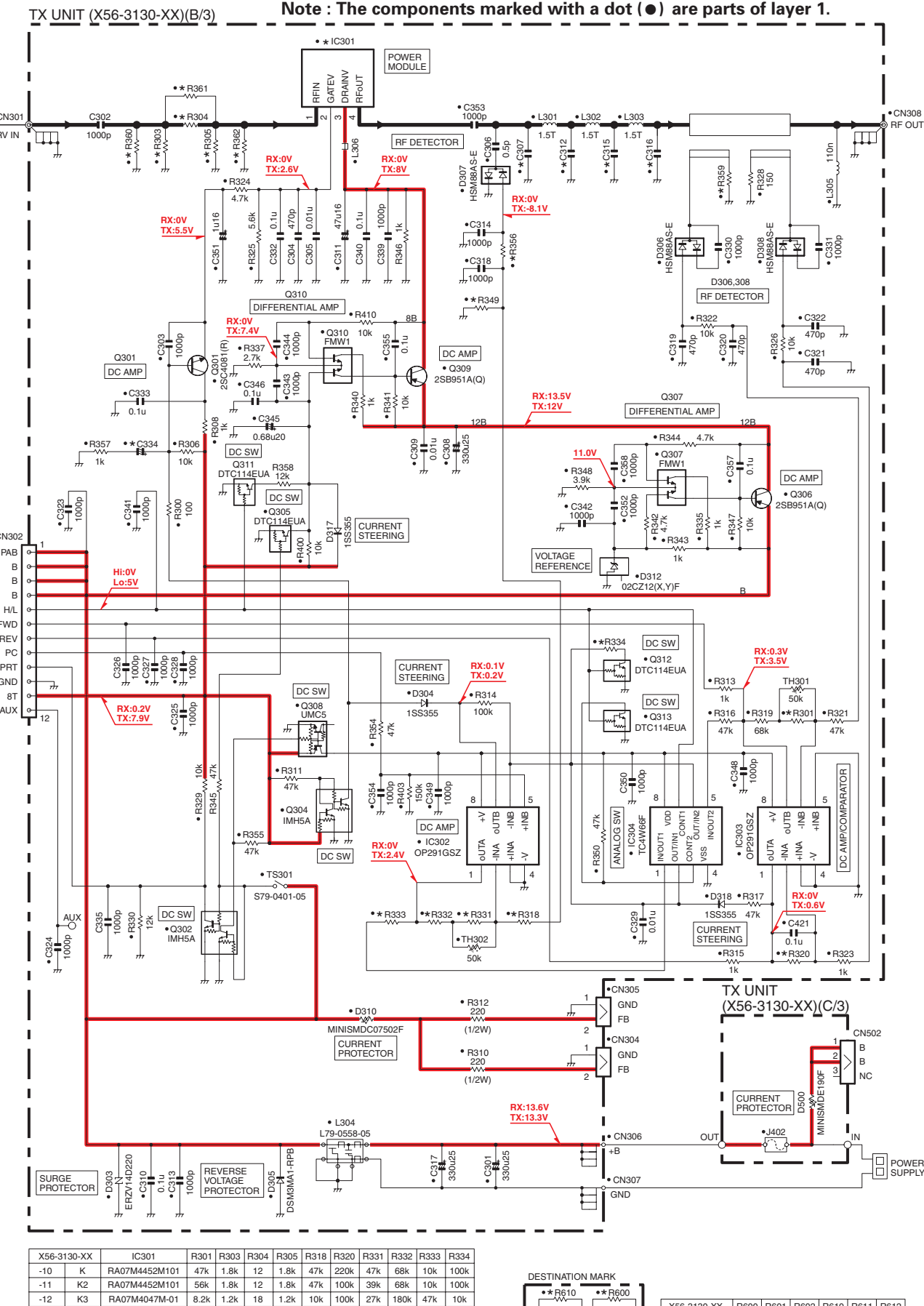
# TKR-840 SCHEMATIC DIAGRAM



X56-3130-XX	R7	R8	R9	C5	C6	C7	C8	C9	C10	C17	C18	C22	C23	C24	C25
-10	K	68k	47k	220	7p	7p	15p	4p	15p	5p	7p	9p	7p	11p	8p
-11	K2	82k	47k	47	6p	6p	6p	6p	6p	4p	7p	6p	7p	10p	8p
-12	K3	150k	100k	220	10p	9p	16p	8p	15p	8p	7p	15p	15p	15p	15p

X56-3130-XX	L24	L245	R151	R152	R153	C38	
-10	K	18h	18h	270	18	270	5p
-11	K2	22h	18h	NO	0	NO	4p
-12	K3	22h	22h	150	39	150	6p

X56-3130-XX	R37	R41	R257	R258	R259	C51	
-10	K	3.9k	1.5k	270	270	18	10p
-11	K2	3.9k	1.5k	270	270	18	10p
-12	K3	1.2k	100	470	470	12	11p



X56-3130-XX	R349	R356	R359	R360	R361	R362	C307	C312	C315	C316	C334	
-10	K	22k	100k	330	1.8k	12	1.8k	2p	8p	10p	8p	0.22u35
-11	K2	22k	100k	180	1.8k	12	1.8k	3p	7p	9p	7p	0.47u25
-12	K3	220k	47k	100	1.2k	18	1.2k	NO	10p	15p	8p	0.22u35

X56-3130-XX	R600	R601	R602	R610	R611	R612
-10	K	0	NO	NO	0	NO
-11	K2	NO	0	NO	NO	0
-12	K3	NO	NO	0	NO	NO

Note : The components marked with a dot (●) are parts of layer 1.

## EXPLODED VIEW

## EXPLODED VIEW

