

MFJ

Vertical Antenna *Model MFJ-1796*

INSTRUCTION & ASSEMBLY MANUAL

WARNING:

You can be killed if the antenna, feedline, or the equipment used to install the antenna accidentally contacts utility lines.

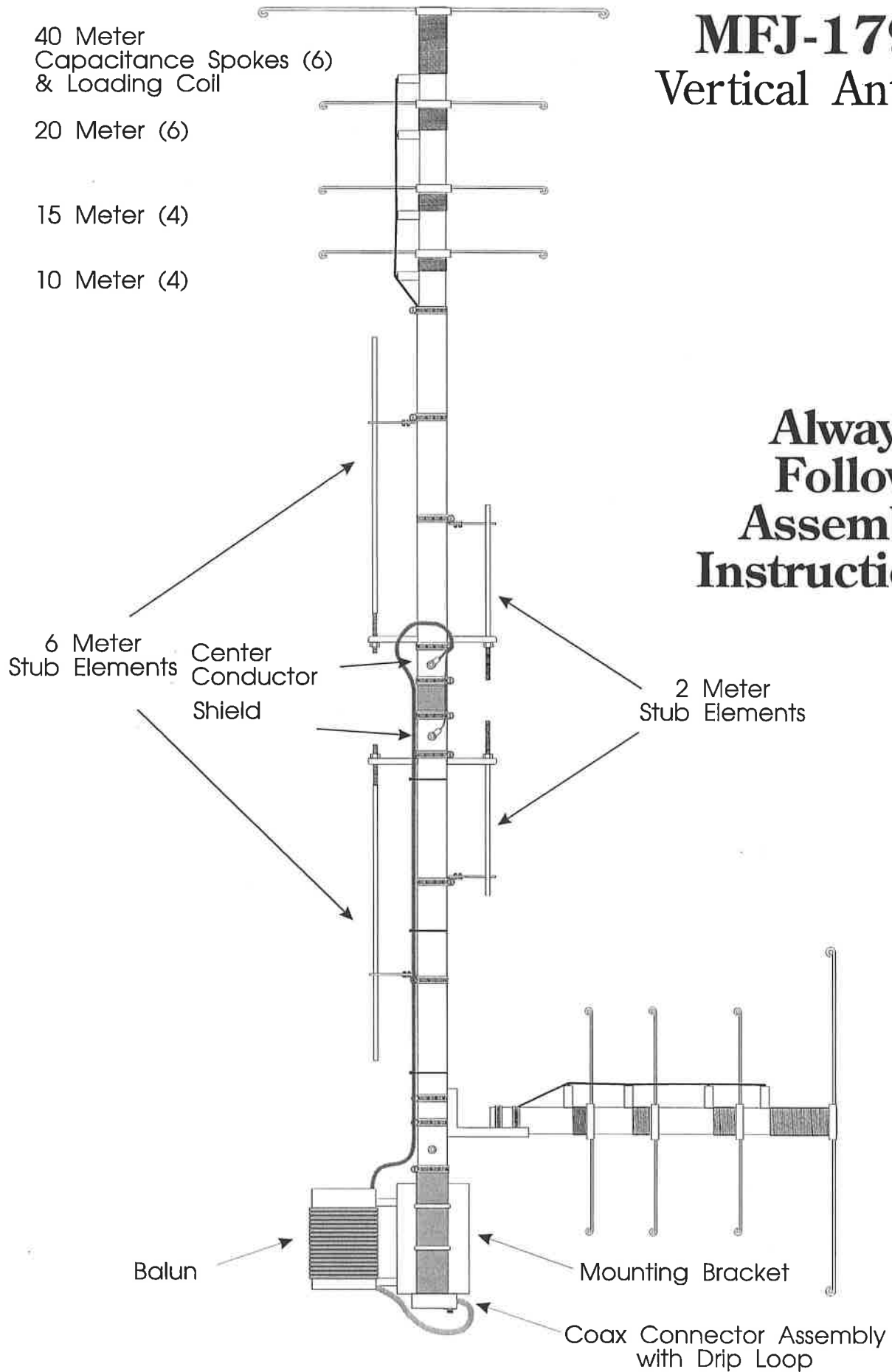
Never install an antenna near utility lines.

READ ALL INSTRUCTIONS BEFORE OPERATING EQUIPMENT.

MFJ ENTERPRISES, INC.

300 Industrial Park Road
Starkville, MS 39759 USA
Tel: 662-323-5869 Fax: 662-323-6551

MFJ-1796 Vertical Antenna



**Always
Follow
Assembly
Instructions!!**

Note: This drawing is not to scale

MFJ-1796 Vertical Antenna

Instruction Manual

Table Of Contents:

Introduction.....	2
Choosing a Location for the Antenna.....	3
Permanent Installation.....	3
Portable Operation.....	3
Tools and Time Required for Assembly.....	4
MFJ-1796 Parts List.....	4
Safety Precautions.....	5
Assembly and Installation Procedure.....	5
Frequency and SWR Adjustment.....	11
Tuning the Antenna.....	12
Tuning the Low Frequency Bands.....	13
Tuning the High Frequency Bands (VHF).....	14
Grounding Considerations.....	15
Maintenance.....	15
Technical Assistance.....	16

MFJ-1796 Vertical Antenna

INTRODUCTION

The basic 40 meter quarter wave vertical antenna is 33' tall and requires a reasonably good ground or counterpoise system to function properly. The usual way to eliminate the requirement for a complicated and space consuming ground system is to center feed a 1/2 wave (in this example a 66' tall) antenna.

MFJ solved these problems by combining efficient end loading with a balanced center feedpoint design. The result is a physically small vertical antenna that gives good performance and does not require any type of RF ground system.

The reduction in size is accomplished by adding separate loading coils and capacitance hats at each end of the antenna for the HF bands. The efficient end loading coils are wound on fiberglass forms. The high quality materials and construction of the HF loading system allows a maximum power rating of 1500 watts on 40, 20, 15 and 10 meters. The six and two meter bands are covered with the addition of four quarter wave decoupling stubs on the side of the main elements.

The power rating of this antenna varies from band to band. The PEP ratings are primarily determined by the voltage breakdown of the components, While the CW ratings are generally determined by components heating.

The following chart lists the power rating and the 2:1 VSWR bandwidth of this antenna:

<u>Band</u>	<u>Power</u>			<u>Bandwidth</u>
	CW	SSB	RTTY	
40m	500	1500	700	40KHZ
20m	750	1500	1250	250KHZ
15m	1000	1500	1250	700KHZ
10m	750	1500	1250	1.0MH
6m	300	750	300	2.6MHz
2m	200	300	200	7MHZ

The weight and wind load of this antenna are 15 pound and approximately 2 square feet respectively.

WARNING: Improper installation and assembly can be hazardous! Read these instructions thoroughly before attempting to assemble, install or operate this product! High power transmitting devices produce voltages that can cause severe burns or other injuries.

CHOOSING A LOCATION FOR THE ANTENNA

The best performance on receiving and transmitting will be obtained by mounting the antenna in a clear location above or away from buildings, towers, feedlines, utility wires, and other antennas. While your own ingenuity and particular circumstances will determine the final mounting method, we'll pass along a few ideas for both permanent installation and portable operation.

WARNING Always mount this antenna so that it is out of the reach of adults as well as children. The capacitance elements can cause injury and or severe RF burns.

- Never mount this antenna in a location that will permit unsuspecting people to come in contact with the loading spokes or any other part of the antenna.
- Never mount this antenna where a mechanical failure might allow the antenna, antenna support and feed line to contact power lines or other utility wires.
- Always ground the feedline at the point where it enters a building to a good earth ground for lightning protection.
- Follow the guide lines for antenna installations as recommended by the US consumer product safety commission.

Permanent Installation

The ideal installation is a rigid pole or roof mount that puts the antenna completely in the clear. If the ideal installation is not possible, choose the best compromise. TV mast, steel water pipe are suitable mast materials. This antenna will mount on masts between 1 and 1-1/2" OD. The use of soft or thin wall masts is not recommended *Never use mast made of soft material or thin wall aluminum, such as aluminum tubing and conduit.*

The MFJ-1796 will perform quite well even at ground level, which means the lower capacitance hat should be at least 5 ft above ground level on a short rigid mast. However, the antenna installation **MUST** be protected (with non-metallic fencing) to provide personal safety and to prevent damage to the antenna itself.

Portable Operation

This antenna may be disassembled to the extent necessary for transporting to a temporary location. If possible, only remove the two HF loading coil assemblies. Leave the two main elements with the 2 and 6 meter stub assemblies intact. *Some retuning may be required after moving the antenna.*

Even for temporary or portable operation, do not be casual about selecting a suitable mast. If the antenna falls it will be damaged and may cause serious injury. Whatever type of installation you choose, remember that the antenna should be installed where it can *never* be contacted by people or animals.

TOOLS AND TIME REQUIRED FOR ASSEMBLY

The estimated assembly time for this antenna is two hours. Antenna assembly requires the following hand tools:

1/4" nut driver
 3/8" open end wrench
 5/16" nut driver (or 1/4" blade standard screwdriver)
 7/16" nut driver
 7/16" open end wrench
 Large wire cutters
 #1 Phillips screwdriver at least 6" long or longer
 #2 Phillips screwdriver
 suitable eye protection

In addition, you will need two stable supports at least 30" tall (such as saw horses or trash cans) and a short (6-8') temporary mast (1 to 1-1/2" OD) for temporary mounting during tuning.

MFJ-1796 PARTS LIST

As you unpack your antenna you should find the parts in the following list.

- [] 2 Fiberglass Coil Assemblies
- [] Two bundles of wire capacitance spokes 28 **short**, 12 **medium**, (and 4 spare **long** spokes)
- [] One bag of clamps: 10 hose clamps and 2 saddle bolts
- [] 5' upper radiator, 6061-T6 AL tubing, 1 1/8" OD with the 6 and 2 meter stubs inside
- [] 5' lower radiator, 6061-T6 AL tubing, 1 1/8" OD (*this tube has two holes through it*)
- [] One bag of short 6-32 stainless screws (you will only use 40, the rest are extra)
- [] 4 small "L" brackets with holes one end
- [] 4 long "U" channel "L" brackets
- [] 4 flat fiberglass insulators
- [] 2 hollow white nylon insulators
- [] 1 solid rod fiberglass center insulator
- [] 5 split ring 1/4" washers
- [] 5 1/4" dia. 7/16" head bolts
- [] 5 1/4-20 x 7/16" nuts
- [] 20 6-32 x 1/2" stainless screws
- [] 20 6-32 x 1/4" nuts
- [] 8 10-32 x 3/8" nuts

For installation you will need some items not supplied with the antenna installation kit.

- [] A 6'-8' rigid mast or other mounting pipe between 1" and 1.5" outside diameter. (suitable materials include TV mast sections, galvanized iron pipe.)
- [] Quality low-loss 50-Ohm short coax cable with PL-259 connectors.
- [] Either an SWR/Power meter or Analyzer (MFJ-207, MFJ-249, or MFJ-259)

SAFETY PRECAUTIONS

WARNING! *You can be killed if the antenna, feedline, or the equipment used to install the antenna accidentally contacts any utility lines. Never install an antenna near power lines!*

1. Be careful while climbing and carrying the antenna. It is heavy enough to cause you to lose your balance if it is handled too casually or if the capacitance spokes are snagged on a gutter, ladder, tree limbs and so forth.
2. Mount the antenna high enough so that it is out of reach. The ends of the capacitance spokes can cause eye injury, serious RF burns or both.
3. Make sure that the mast is sturdy enough to support the 15 pounds weight and the wind load of approximately 2 square feet.

ASSEMBLY AND INSTALLATION PROCEDURE

During assembly of this antenna refer to the labeled figures in this manual and the inside cover figure. The assembly instructions tell you how to first install the balun and then connect the upper and lower elements. Then the 2 and 6 meter stub elements are installed. Last the loading coil assemblies are assembled and installed on the upper and lower elements.

If you do not wish to install the 6 and 2 meter stubs operation on the other bands will not be affected. Skip steps 4, do not install the hose clamps in step 10 and skip steps 13-18.

After the antenna is assembled it should be checked and adjusted for resonant frequency and SWR. It can then be mounted on a tower or rooftop and given final adjustments(*see Tuning The Antenna section for detail*).

NOTE: Wear safety glasses whenever working near or on this antenna.

Warning: Do not tighten the screws that connect the loading coil terminal lugs to the capacitance hat rings or you will **BREAK** the fiberglass form. If the terminal lugs loosen tighten the NUT down on the lug.

• Step-By-Step Procedure

- [] 1. Prepare a temporary ground-level mounting mast that will permit easy initial testing and adjustment. Set up saw horses or any other stable support (plastic trash cans or folding tables, etc.) near the mast.

- [] 2. Sort out the parts you have unpacked into groups of similar parts. Be sure all the parts are available.
- [] 3. After examining the antenna parts, gather the tools needed for basic assembly. At the minimum these consist of:
- [] #1 Long Phillips screwdriver for capacitance spoke screws
 - [] #2 Phillips screwdriver for other 6-32 screws
 - [] 1/4" standard screwdriver or a 5/16" nut driver for hose clamps.
 - [] 3/8" wrench for 6 and 2 meter stub nuts
 - [] Two 7/16" open end wrenches or one wrench and one nut driver for "U" BOLTS and center insulator bolts.
 - [] Wire cutters for trimming capacitance spokes.
 - [] Safety glasses.
- [] 4. Assemble the four small "L" brackets to the 4 long fiberglass insulators with the 6-32 x 1/2" screws and the 6-32 x 5/16" nuts as shown in Figure 1.

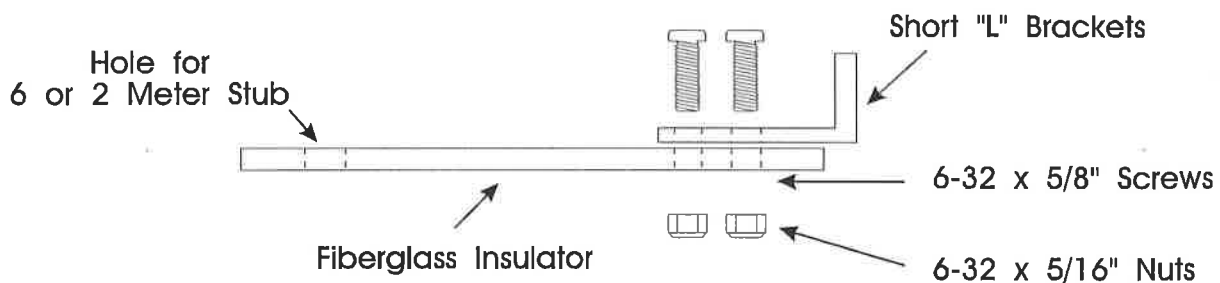


Figure 1

- [] 5. Bolt the top balun hole loosely to the top hole in the base mounting assembly with a 1/4-20 x 7/16" nut and the 1/4" x 7/16" head bolts. Use the hollow white nylon spacers to separate the balun from the mounting bracket. Finger tighten only. See Figure 2.
- [] 6. Bolt the bottom balun hole to the bottom hole in the base mounting assembly as in Step 5.
- [] 7. Tighten the balun bolts with a 7/16" wrench.
- [] 8. Bolt the coax connector assembly to the base mounting assembly with four 6-32 x 5/8" screws and 6-32 nuts. See Figure 2.
- [] 9. Slide the bottom radiator (the one with two sets of holes) over the fiberglass rod with the holes that are 2" from the end toward the base mounting bracket. Slide a hose clamp to the bottom of the element. The radiator should butt against the insulating plastic of the base

mounting bracket. Install a 1/4 x 7/16" bolt through the element and fiberglass rod and tighten with a lock washer and 1/4 x 7/16" nut.

[] 10. Slide three more hose clamps over the bottom element. Tighten the hose clamp installed in step 9 over the slit in the bottom element. This clamp will make the antenna more rigid.

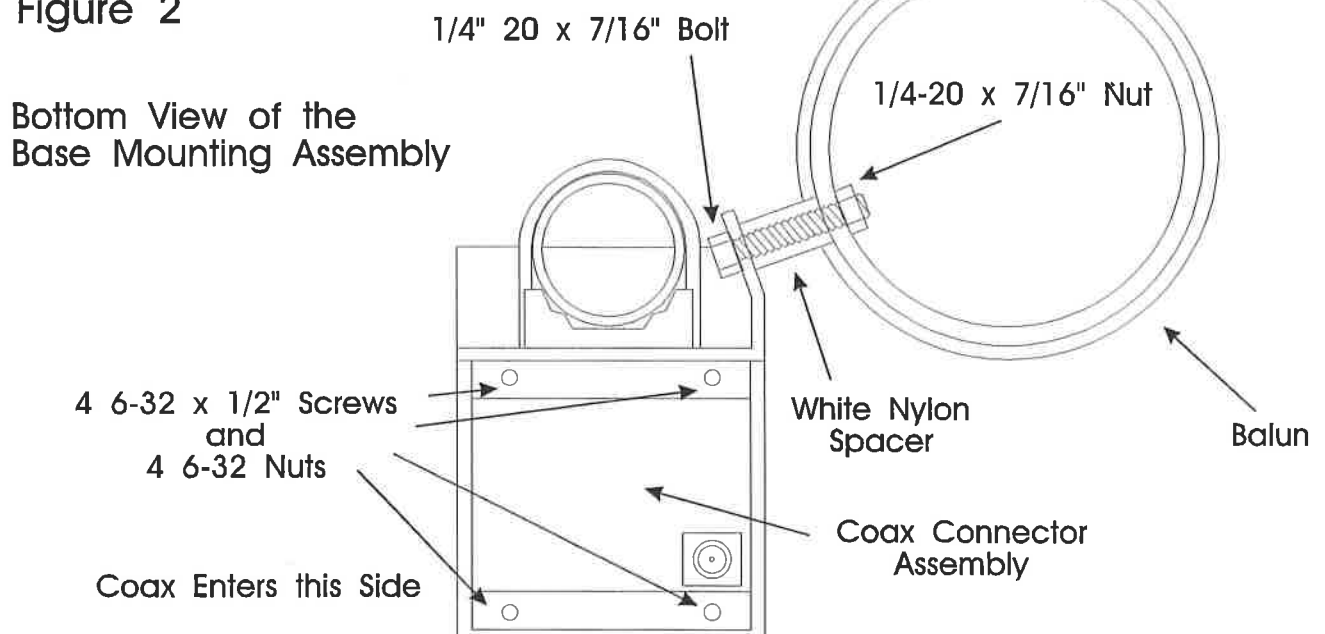
[] 11. Insert the fiberglass center insulator into the bottom element and insert a 1/4" x 7/16" head bolt with a lock washer through the hole. Thread a 1/4" x 7/16" nut on the other end. Finger tighten only. See Figure 3. Slide a hose clamp over the center insulator. Tighten the hose clamp on the slit in the bottom element. Slide another hose clamp over the insulator.

[] 12. Slide the top 1 1/8" diameter element over the center insulator and install the 1/4" x 7/16" head bolt and nut as in step 10. Tighten the hose clamp over the slit in the top element until the element will not sway.

[] 13. Slide three hose clamps over the top element.

NOTE: The upper and lower stubs (U-channel "L" brackets) on each band should not be installed perfectly in line. There should be enough offset so that the threaded ends won't touch if the stubs are fully shortened. *The alignment of the stubs will not affect operation.* See Figure 5.

Figure 2



- [] 14. Clamp the four long U-channel "L" brackets to the elements 1/4" above and below the center insulator bolts. See Figure 4 and Figure 6.
- [] 15. Mount the two short stubs by threading a 10-32 x 3/8" nut 1/2" from the end of the threads, toward the elements unthreaded end. This will leave a large area of the threads exposed at the end of the element. Add a second nut to sandwich the bracket between the two nuts. See Figure 4. **The two short stubs should be mounted opposite from the balun.** (See figure 5).

Figure 3

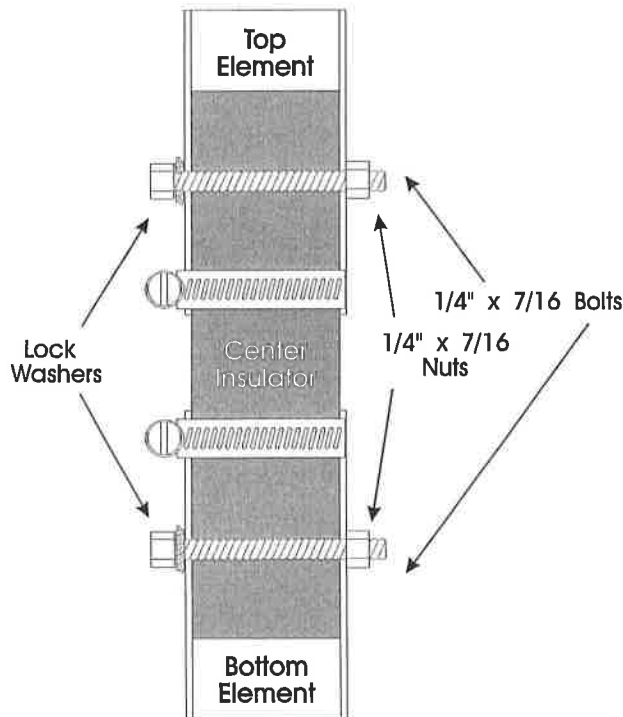


Figure 4

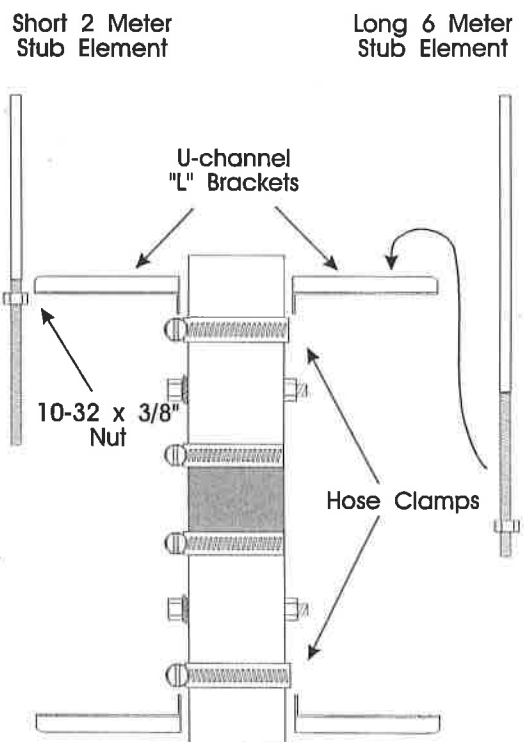
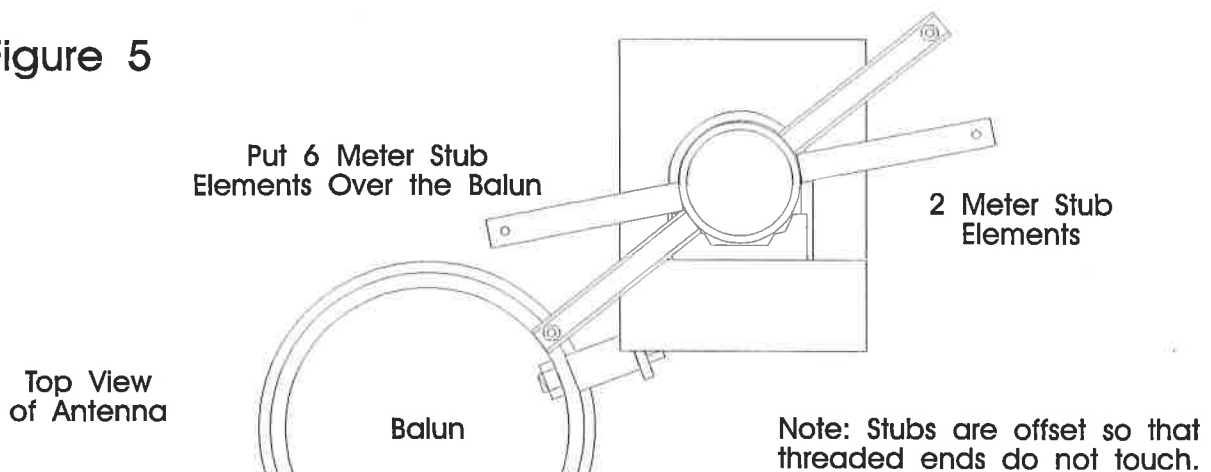


Figure 5



[] 16 Mount the two long stubs by threading a 10-32 x 3/8" nut, 1/2" from the elements threaded end. This will leave only a small amount of threaded area below the nut. Add a second nut to sandwich the bracket between the two nuts. See Figure 4. **The two long stubs elements should be on the same side as the balun.** (See Figure 5.)

[] 17. Install two long fiberglass insulators over each long stub; one approximately 20" and the other 14" from the unthreaded ends of the long stubs by clamping them in place with hose clamps. See Figure 6.

[] 18. Install the remaining long fiberglass insulators over the short stubs approximately 5" from the outside ends of the stubs. See Figure 6

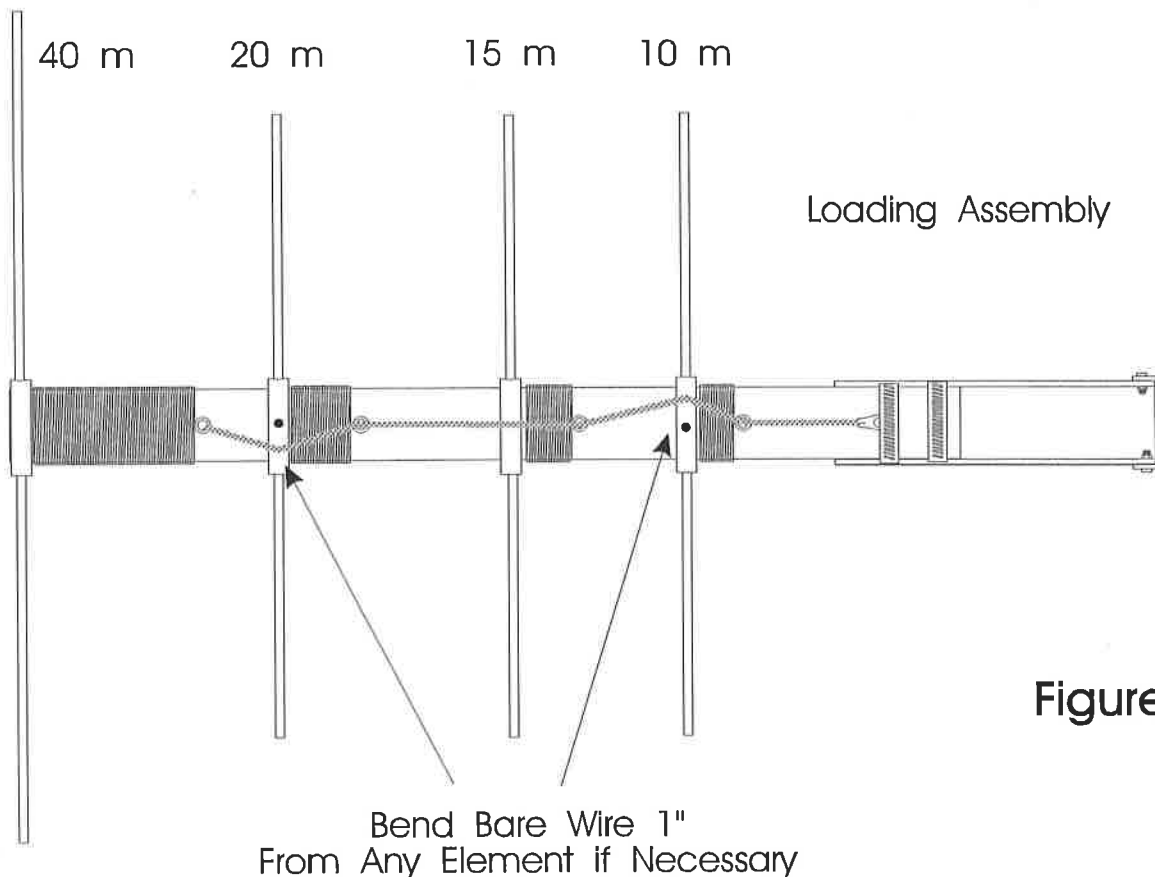
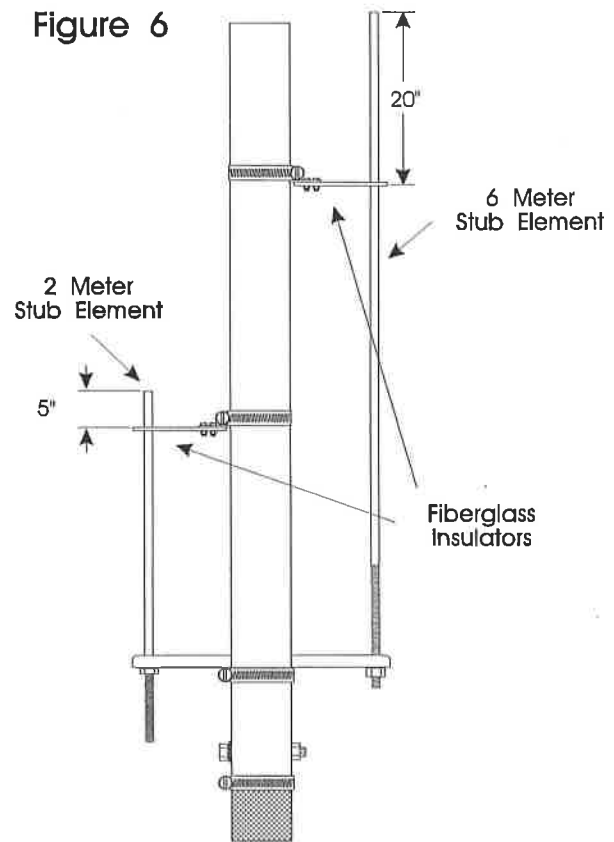


Figure 7

- [] 19. Install the short 6-32 screws in the ring of both loading coil assemblies. Do not thread the screws completely in. Put the **medium** capacitance spokes in the six holes in these rings on both coil assemblies. Tighten the screws until the spokes are snug. At this point you should be able to turn the coil assemblies over and they should balance on the long spokes. USE THE #1 PHILLIPS SCREWDRIVER HERE.

IMPORTANT: Do not use a high torque electric screwdriver to mount the capacitance spokes. The screw heads will be sheared off if too much torque is applied.

- [] 20. Install the screws in the next set of rings and install six **short** spokes in these rings.
- [] 21. Install the next groups of four **short** spokes on each loading coil assembly.
- [] 22. Check the bare wires running along the side of the loading coil assembly to be sure that there is at least 1" of clearance between the bare wire and the capacitance spokes. It is okay to bend the bare wire enough to clear the spokes properly. See Figure 7.
- [] 23. Remove the nuts on the center insulator bolts of the main element and install the *center conductor* lug of the coax *under the upper* element nut and the *shield* lug *under the bottom* element nut. Hold the nut in place and turn the bolt head to tighten these bolts so that the lug does not break off the end of the coax. Be sure to dress the coax so it loops up in a drip loop so water cannot get into the end. See Figure 8.

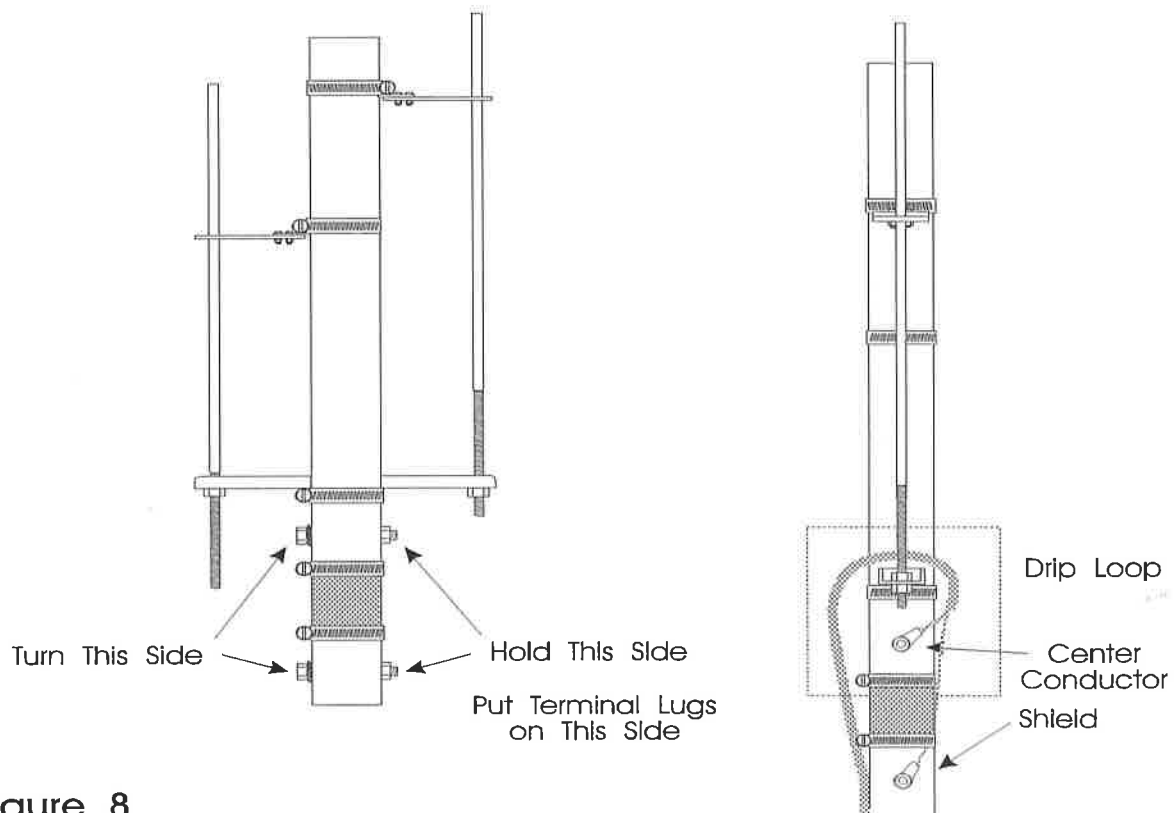


Figure 8

[] 24. Use the three black cable ties to affix the coax to the antenna as illustrated on page 1.

Warning: To Prevent Arcking And Destruction Of The Coax Cable, Do Not Allow The Coax Cable To Come Within 1 Inch Of The Aluminum Base Mounting Bracket.

[] 25. Slide a hose clamp over the top element. Mount the top loading coil assembly to the antenna by inserting the fiberglass form into the top element. Tighten the bus wire from the coil assembly under the hose clamp. Make sure the loading coil assembly is secured.

[] 26. Mount the coil assembly with the angle mounting bracket three to four inches from the bottom insulator of the antenna. (*see figure on inside front cover*)

[] 27. Double check the tightness of all the hardware you installed and then mount the antenna on the short temporary tuning mast.(6 to 8 feet)

[] 28. Tune the antenna, see the next section.

[] 29. Mount the antenna in it's permanent location. Slight re-tuning may be necessary.

FREQUENCY AND SWR ADJUSTMENT

This antenna covers wider frequency ranges on the higher bands, and narrower segments on the lower frequency bands. The 40 meter band has the narrowest range of operation (approximately 40 KHz) and is the most sensitive to adjustments.

The entire antenna must be accessible during initial coarse tuning and testing. Any repair or adjustment to the antenna after it is installed on a tall support will make adjustments difficult and time consuming. It is best to install the antenna on a short temporary mast or pipe that is located in a reasonably clear location for tuning. The antenna should be mounted vertically with the base of the antenna around six feet above ground to make tests and adjustments easy.

Hint:: The use of a small tripod will make tuning this antenna easy. With the help of an other person it is easy to lean the antenna, while it is fastened to the tripod, to lower it and make the necessary adjustments.

The SWR can be measured by using a transmitter and SWR bridge or an SWR Analyzer such as MFJ-249 / MFJ-259. The best location to make SWR measurements is at the base of the antenna. If the measurements are not taken at the base of the antenna, the antenna must be fed with a reasonably short length of good quality 50 ohm coaxial cable to insure proper results. If using a transceiver and SWR meter, set the transceiver to the lowest power possible to make measurements.

Please read the following hints:

- **The normal resonant frequency of this antenna is at or just below the bottom of each amateur band.** This allows the user to "trim" a small amount off the *inside end* of the capacitance spokes to raise the resonant frequency. Conversely, adding a longer capacitance spoke will lower the resonant frequency. Spare spokes are included in case you need to lower the resonant frequency of the antenna.
- **If you suspect the resonant frequency is lower than your equipment can detect,** for example below 6.0MHz, take one 40 meter spoke entirely off the antenna (top and bottom hats). make another attempt to measure the resonant frequency. If you still unable to find the resonant frequency, check an other band. If non of these test produce a good SWR on any frequency, substitute a 50 ohm load for the antenna to test the feed line. If the SWR checks good, you will have to double check the antenna assembly for shorts or opens at the feed point and the connector box.
- **If the antenna operates normally higher than the band after one spoke is removed,** install all the spokes and trim one spoke simultaneously from top and bottom hats in one inch steps until you find the resonant frequency within the range of your equipment.
- **Once you find the resonant frequency,** Use the chart located on the following page to estimate the amount of spoke length to cut so the antenna will resonate at your favorite section of the band.

IMPORTANT: Always start tuning on 40 meters and adjust each band progressively higher in frequency

TUNING THE ANTENNA

ALWAYS REMEMBER: This antenna is a balanced dipole. If changes were made to one side only, the dipole will be unbalanced. For that reason, any changes you make on the bottom capacitor hat should be done in the same manner on the top capacitor hat to keep the dipole balanced.

1. Measure and record the frequency that the lowest SWR occurs on for each band. The lowest SWR should be at or below the bottom end of each HF band. The SWR should be below 2:1 at resonance on each band.

The following is a typical chart for initial measurements of a new antenna before tuning:

40 M 1.6:1 at 6.99 MHz	10 M 1.6:1 at 27.97 MHz
20 M 1.2:1 at 13.9 MHz	6 M 1.2:1 at 51 MHz
15 M 1.2:1 at 20.85 MHz	2 M 1.2:1 at 146 MHz

If the resonant frequency is lower than your equipment can detect take one spoke off (top and bottom hats) to raise the resonant frequency. Measure the resonant frequency and calculate the approximate resonant frequency as if the spoke was in place using the chart on the next page.

Warning : *Shortening the spokes from the looped end degrades safety and power handling capabilities!*

NOTE: *Always tune the lowest frequency bands first*

TUNING THE LOW FREQUENCY BANDS

NOTE: *always trim the same amount of spoke length from both capacitor hats of the antenna (top and bottom) to keep the dipole balanced*

40 Meter Band:

- Select a frequency 50 KHz below the desired operating frequency. Use this frequency as a target.
- Measure the resonant frequency of the antenna at this band. determine the frequency shift required by subtracting the initial frequency from the desired frequency. Use the results and the chart below to determine the proper amount of spoke length to be cut.
- If the calculated amount of spoke shortening exceeds 8", cut one inch from the inside end of all six spokes for each 8" calculated.
- Return to step 1. Keep repeating these steps until done.

Example: the antenna measure 6.95 MHz , the desired frequency is 7.25 MHz, less .05 MHz (50 KHz below desired frequency) for a difference of .2MHz or 200 KHz. This would require the trimming of 8" from one spoke in each top and bottom hat. Instead, cut one inch from all 6 spokes (top and bottom hats)and measure the resonant frequency. Assume the new resonant frequency is close to the wanted one. A single spoke (from top and bottom hats) can now be trimmed to adjust the antenna to resonance.

40 M: 1" trimmed off a pair of spokes equals *approximately* 25 KHz
 20 M: 1" trimmed off a pair of spokes equals *approximately* 100 KHz
 15 M: 1" trimmed off a pair of spokes equals *approximately* 175 KHz
 10 M: 1" trimmed off a pair of spokes equals *approximately* 250 KHz

Tuning 20, 15, And 10 Meter Bands

Now tune progressively higher frequency HF bands by **using the same technique used for the 40 meter band**. Set the target frequency 30 KHz lower than the desired operating frequency for these bands. 20 meters must be the second HF band adjusted, 15 the third and 10 meters last. After adjusting 10 meters go back and check the other bands. Tighten all spoke screws. (Use the chart above for cutting at each band.)

TUNING THE HIGH FREQUENCY BANDS (VHF)

The six and two meter bands are tuned by lengthening or shortening the threaded portion of the stubs. See Figure 9. This adjustment is very coarse. If the frequency is still too low with the stub element extension at a minimum, the unthreaded ends of the stubs can be trimmed. Once again the lower frequency stub (6 meters) should be adjusted first.

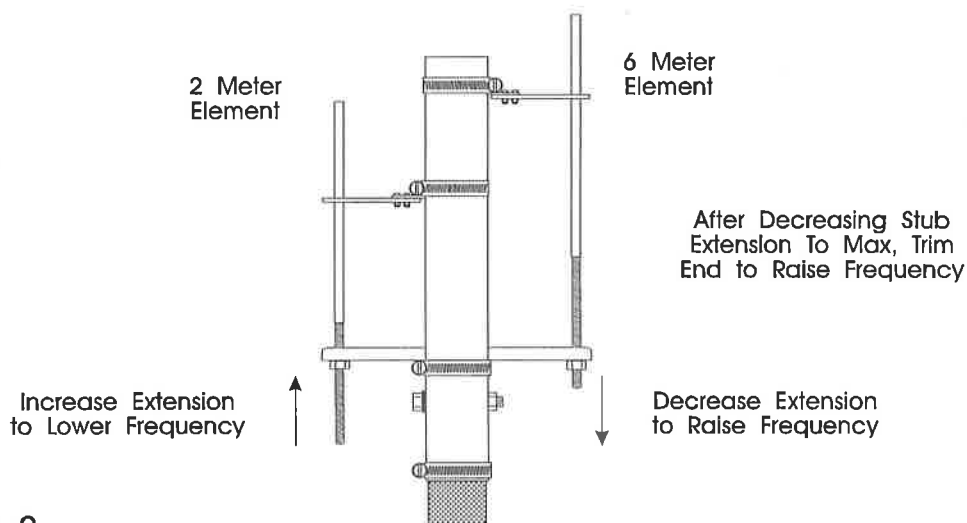


Figure 9

The six meter stub covers from 50 to 54 MHz as it is adjusted. Be careful because the third harmonic resonance of the six meter stub will show up as a low SWR on the third harmonic of its setting, usually between 150 and 160 MHz. The range of the two meter stub allows frequencies as low as 130 MHz to be covered with the stub fully extended and 148 MHz with the stub fully contracted.

Final frequency adjustments can be made by trimming spokes on the bottom hat only when the antenna is permanently mounted. The minor adjustment of bottom spokes without the symmetrical trimming of the top spokes is perfectly acceptable so long as the frequency is changed less than 30 KHz on 40 meters and 60 KHz on the higher bands with the final adjustment. The result of attempting to move the resonant frequency too far with only the bottom spokes will be an increase in the SWR of the antenna at the resonant frequency.

GROUNDING CONSIDERATIONS

Although this antenna is designed to operate efficiently without the requirement of an earth ground, SAFETY GROUNDING MUST STILL be provided to protect equipment, property and persons from the hazards of lightning strikes and other weather related electrical discharges. In addition the coaxial cable feeding the antenna should have the shield grounded to eliminate the risk of any indoor equipment failure from allowing hazardous voltages from appearing indoors and creating a shock hazard.

Adequate protection can be accomplished by grounding the shield of the coax where it enters the building to a good earth ground or directly burying the cable in the earth for several feet before it enters the building. The coaxial cable should be totally disconnected from the station during threatening weather conditions for maximum lightning protection.

A less effective method of protecting station equipment is to install an in-line coaxial lightning arrester with a heavy duty ground wire to a suitable earth ground, or a safety switching system as part of the basic ham station equipment.

MAINTENANCE

Your antenna is constructed of heavy duty non corrosive materials and should withstand normal climates for many years. The use of some type of coaxial connector moisture protection is recommended at the bottom coax connection and also around the center-feed connections, especially in coastal areas where salty mist is commonplace.

GE makes a pure silicone grease called "**SILICONE DIELECTRIC COMPOUND**" that can be applied SPARINGLY to the threaded area of the female connector. This compound, or even a clear silicone heat sink compound, will prevent moisture from entering the connector through the threads and protect the connectors from corrosion. THIS IS THE SAME TYPE OF SEALER THAT COMMERCIAL ANTENNA INSTALLERS AND CATV COMPANIES USE WITH GREAT SUCCESS.

A less desirable, but still adequate sealer is the automobile seam sealer commonly sold as "coax seal". This is a semi-pliable black sealing compound.

When installing any "coax seal", NEVER completely cover the barrel of the coax connector. The sealer should ONLY be placed near the junction of the threaded part of the chassis connector and the knurled area of the male connector. This will leave the bottom of the male outer sleeve open and permit the connector to "breathe" so it does NOT collect moisture!

IMPORTANT FOR COASTAL AREA OPERATORS:; It is advisable to use some type of silicon spray (circuit board type from Radio Shack) on the capacitor rings to prevent corrosions between the aluminum and the stainless steel screws. Corrosion on capacitor rings tend make it difficult to remove the spokes to retune the antenna.

Technical Assistance

If you have any problem with this unit first check the appropriate section of this manual. If the manual does not reference your problem or your problem is not solved by reading the manual, you may call *MFJ Technical Service* at **662-323-0549** or the *MFJ Factory* at **662-323-5869**. You will be best helped if you have your unit, manual and all information on your station handy so you can answer any questions the technicians may ask.

You can also send questions by mail to MFJ Enterprises, Inc., 300 Industrial Park Road, Starkville, MS 39759; by Facsimile (FAX) to 662-323-6551; or by email to techinfo@mfjenterprises.com. Send a complete description of your problem, an explanation of exactly how you are using your unit, and a complete description of your station.

LIMITED 12 MONTH WARRANTY

MFJ Enterprises, Inc. warrants to the original owner of this product, if manufactured by MFJ Enterprises, Inc. and purchased from an authorized dealer or directly from MFJ Enterprises, Inc. to be free from defects in material and workmanship for a period of 12 months from date of purchase provided the following terms of this warranty are satisfied.

1. The purchaser must retain the dated proof-of-purchase (bill of sale, canceled check, credit card or money order receipt, etc.) describing the product to establish the validity of the warranty claim and submit the original or machine reproduction of such proof of purchase to MFJ Enterprises, Inc. at the time of warranty service. MFJ Enterprises, Inc. shall have the discretion to deny warranty without dated proof-of-purchase. Any evidence of alteration, erasure, or forgery shall be cause to void any and all warranty terms immediately.
2. MFJ Enterprises, Inc. agrees to repair or replace at MFJ's option without charge to the original owner any defective product under warrantee provided the product is returned postage prepaid to MFJ Enterprises, Inc. with a personal check, cashiers check, or money order for \$7.00 covering postage and handling.
3. This warranty is **NOT** void for owners who attempt to repair defective units. Technical consultation is available by calling the Service Department at 662-323-0549 or the MFJ Factory at 662-323-5869.
4. This warranty does not apply to kits sold by or manufactured by MFJ Enterprises, Inc.
5. Wired and tested PC board products are covered by this warranty provided **only the wired and tested PC board product is returned**. Wired and tested PC boards installed in the owner's cabinet or connected to switches, jacks, or cables, etc. sent to MFJ Enterprises, Inc. will be returned at the owner's expense unrepared.
6. Under no circumstances is MFJ Enterprises, Inc. liable for consequential damages to person or property by the use of any MFJ products.
7. **Out-of-Warranty Service:** MFJ Enterprises, Inc. will repair any out-of-warranty product provided the unit is shipped prepaid. All repaired units will be shipped COD to the owner. Repair charges will be added to the COD fee unless other arrangements are made.
8. This warranty is given in lieu of any other warranty expressed or implied.
9. MFJ Enterprises, Inc. reserves the right to make changes or improvements in design or manufacture without incurring any obligation to install such changes upon any of the products previously manufactured.
10. All MFJ products to be serviced in-warranty or out-of-warranty should be addressed to:

**MFJ Enterprises, Inc.,
300 Industrial Park Road
Starkville, Mississippi 39759 USA**

and must be accompanied by a letter describing the problem in detail along with a copy of your dated proof-of-purchase.

11. This warranty gives you specific rights, and you may also have other rights which vary from state to state.