

MFJ

MFJ SoundGUN

Parabolic

Audio Receiver

Model MFJ-5007



INSTRUCTION MANUAL

CAUTION: Read All Instructions Before Operating Equipment !

MFJ ENTERPRISES, INC.

300 Industrial Park Road
Starkville, MS 39759 USA
Tel: 662-323-5869 Fax: 662-323-6551

VERSION 0

COPYRIGHT © 2015 MFJ ENTERPRISES, INC.

MFJ-5007 SoundGUN Parabolic Audio Receiver

Introduction

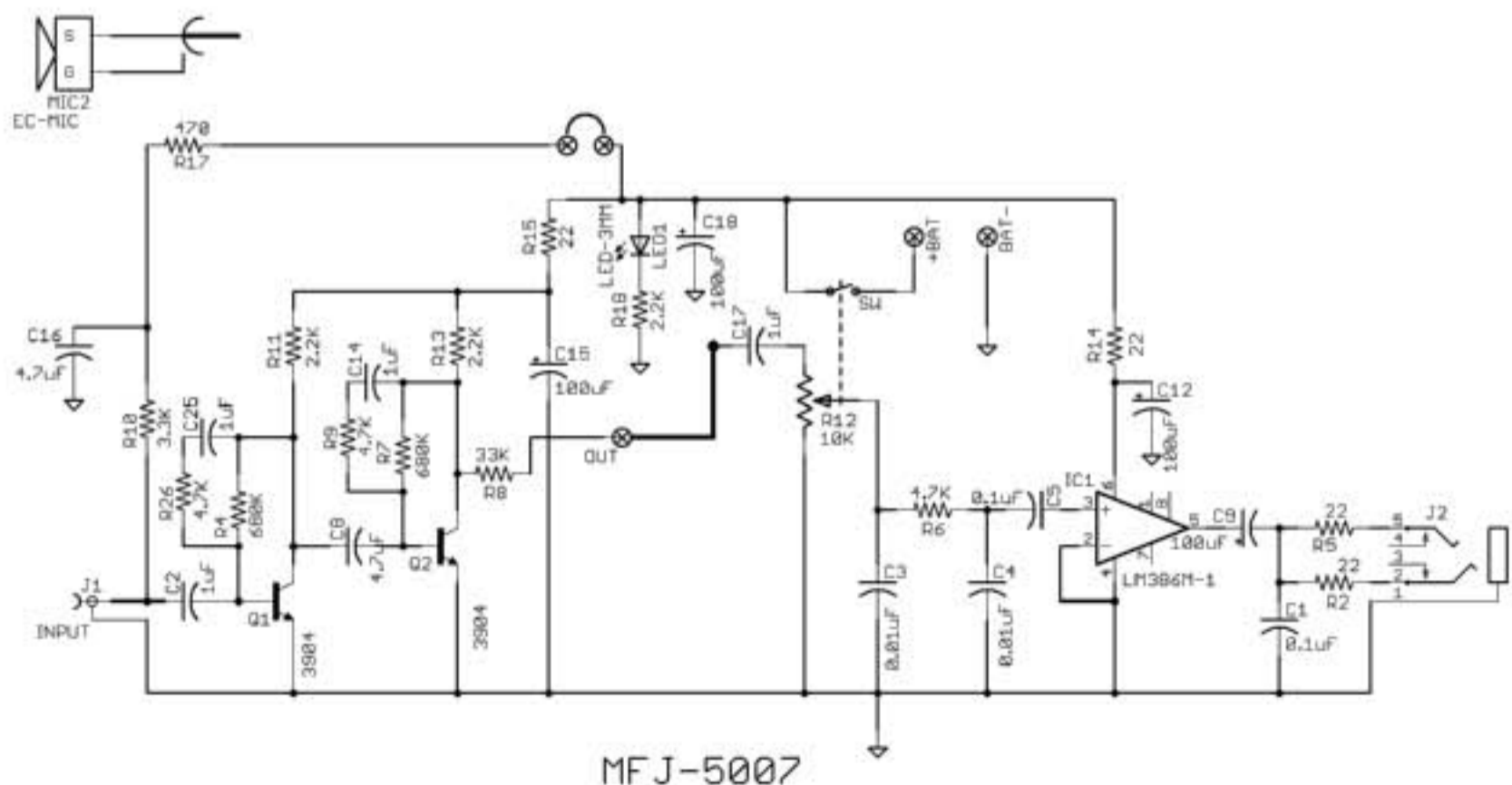
The MFJ-5007 is a high gain audio amplifier system combined with a parabolic dish reflector giving a narrow beam width high gain system for listening to sounds at a distance. The narrow beam aids in isolating specific sound locations. The amplifier and gain of the parabolic dish aid in pulling out weak sounds at a distance.

The MFJ-5007 is ideal for tracking bird and animal sounds, sporting events, and locating other sounds that may be hard to identify at a distance.

Operation

1. Install a 9V battery in the MFJ-5007 by sliding off the battery cover on the amplifier case and snapping the battery in place then slide the cover back on.
2. Plug in the headphones. The MFJ-392B is included but most any other low impedance headphones that will block out local sounds will work.
3. Turn on the MFJ-5007 with the thumbwheel switch and volume control, adjust the volume for a good listening level, and point at the sound source you want to hear.

Schematic Diagram



FULL 12-MONTH WARRANTY

MFJ Enterprises, Inc. warrants to the original owner of this product, if manufactured by MFJ Enterprises, Inc. and purchased from an authorized dealer or directly from MFJ Enterprises, Inc. to be free from defects in material and workmanship for a period of 12 months from date of purchase provided the following terms of this warranty are satisfied.

1. The purchaser must retain the dated proof-of-purchase (bill of sale, canceled check, credit card or money order receipt, etc.) describing the product to establish the validity of the warranty claim and submit the original or machine reproduction of such proof of purchase to MFJ Enterprises, Inc. at the time of warranty service. MFJ Enterprises, Inc. shall have the discretion to deny warranty without dated proof-of-purchase. Any evidence of alteration, erasure, or forgery shall be cause to void any and all warranty terms immediately.
2. MFJ Enterprises, Inc. agrees to repair or replace at MFJ's option without charge to the original owner any defective product provided the product is returned postage prepaid to MFJ Enterprises, Inc. with a personal check, cashiers check, or money order for **\$12.00** covering postage and handling.
3. MFJ Enterprises, Inc. will supply replacement parts free of charge for any MFJ product under warranty upon request. A dated proof of purchase and a **\$8.00** personal check, cashiers check, or money order must be provided to cover postage and handling.
4. This warranty is **NOT** void for owners who attempt to repair defective units. Technical consultation is available by calling (662) 323-5869.
5. This warranty does not apply to kits sold by or manufactured by MFJ Enterprises, Inc.
6. Wired and tested PC board products are covered by this warranty provided **only the wired and tested PC board product is returned**. Wired and tested PC boards installed in the owner's cabinet or connected to switches, jacks, or cables, etc. sent to MFJ Enterprises, Inc. will be returned at the owner's expense un-repaired.
7. Under no circumstances is MFJ Enterprises, Inc. liable for consequential damages to person or property by the use of any MFJ products.
8. **Out-of-Warranty Service:** MFJ Enterprises, Inc. will repair any out-of-warranty product provided the unit is shipped prepaid. All repaired units will be shipped COD to the owner. Repair charges will be added to the COD fee unless other arrangements are made.
9. This warranty is given in lieu of any other warranty expressed or implied.
10. MFJ Enterprises, Inc. reserves the right to make changes or improvements in design or manufacture without incurring any obligation to install such changes upon any of the products previously manufactured.
11. All MFJ products to be serviced in-warranty or out-of-warranty should be addressed to **MFJ Enterprises, Inc., 300 Industrial Park Rd, Starkville, Mississippi 39759, USA** and must be accompanied by a letter describing the problem in detail along with a copy of your dated proof-of-purchase and a telephone number.
12. This warranty gives you specific rights, and you may also have other rights, which vary from state to state.

Rev 04/08/2011

NOTE: The MFJ-5007 may not be used to violate the privacy rights of others. Consult your state and local laws regarding your intended use.



MFJ ENTERPRISES, INC.
300 Industrial Park Road
Starkville, MS 39759

MFJ-5007 Manual
Version 0