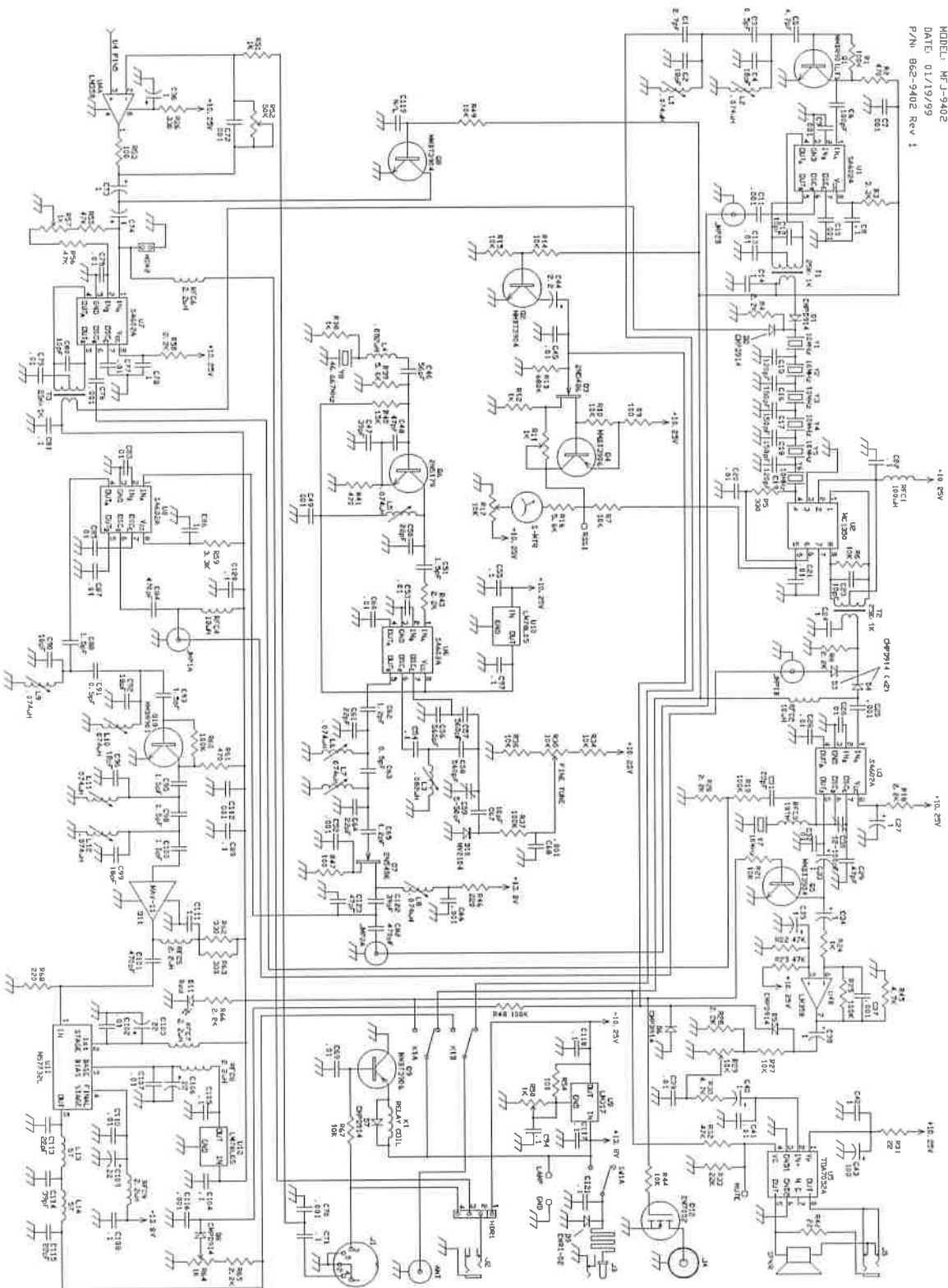


SCHEMATIC



MODEL: MFJ-9402
DATE: 01/19/99
P/N: 962-9402 Rev 1