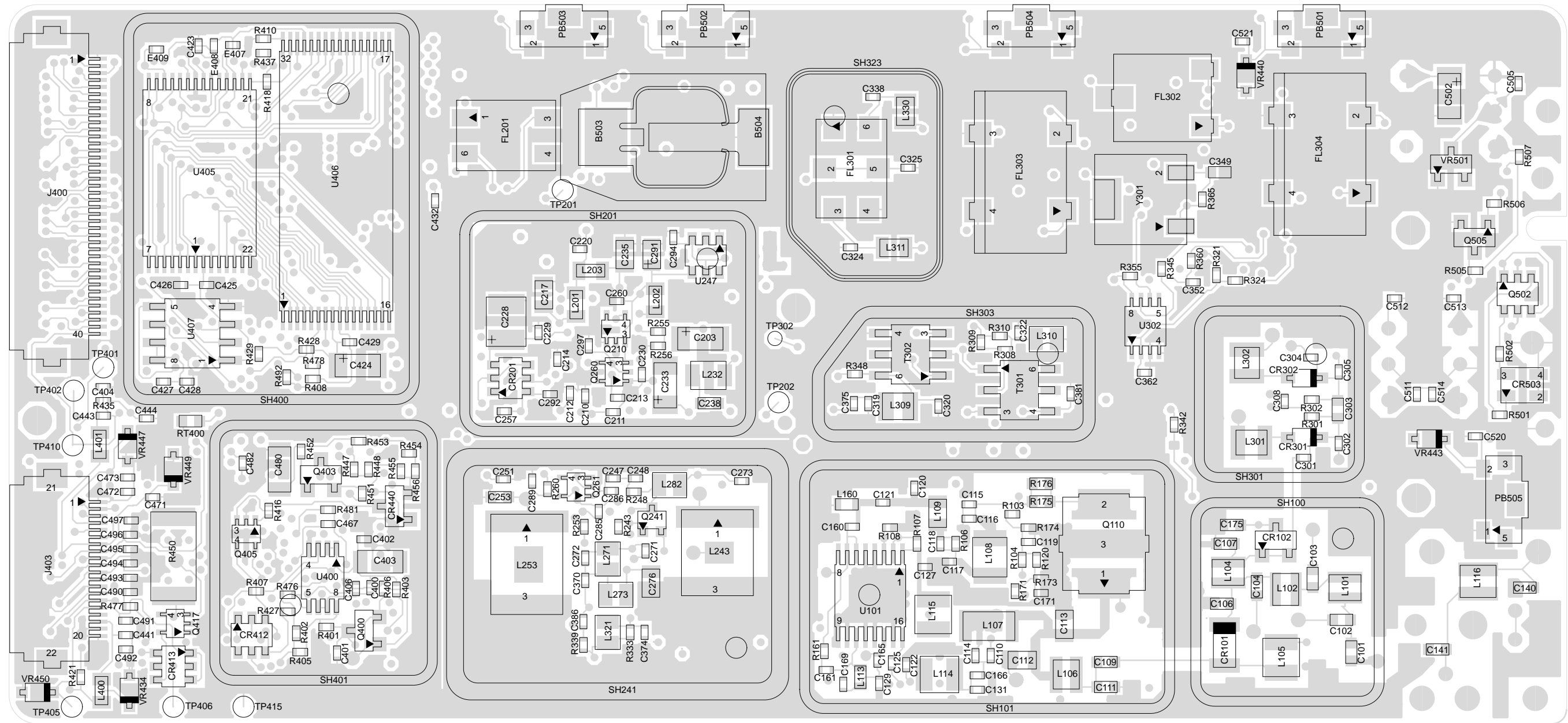
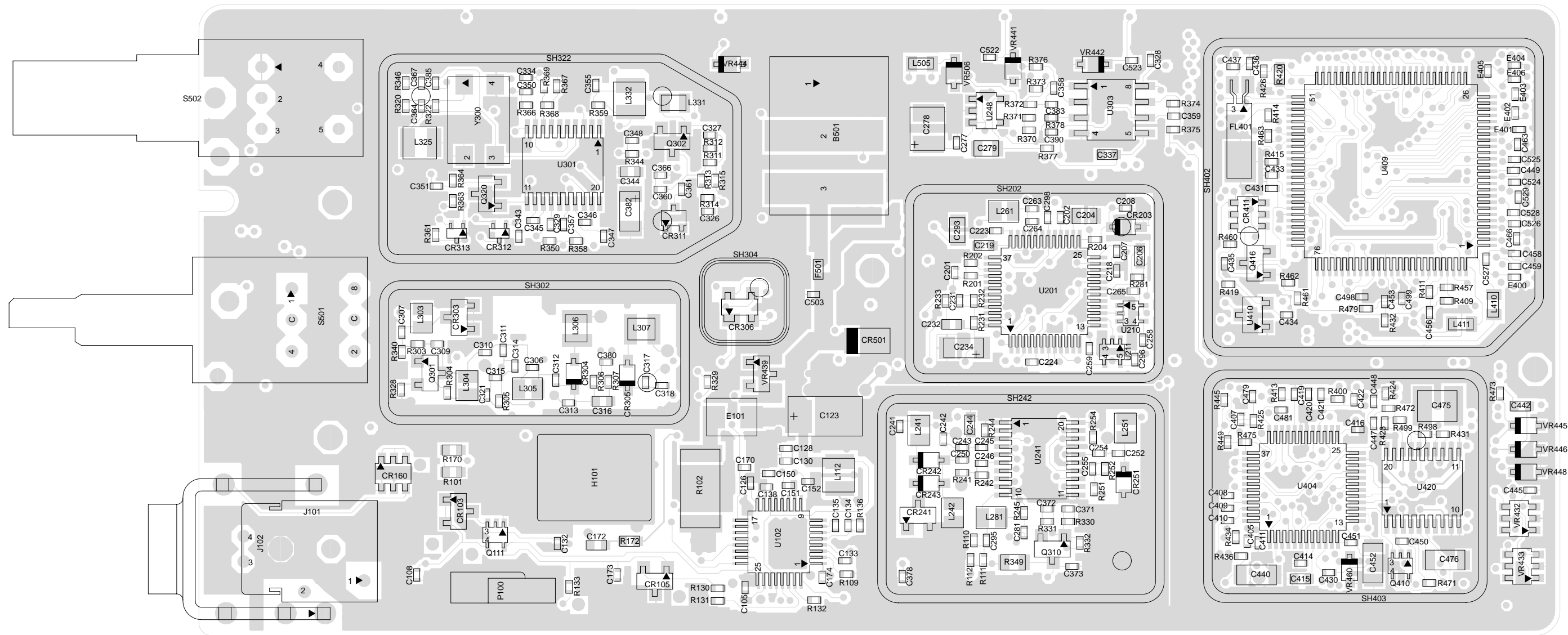


9.11 UHF 1 Band Circuit Board/Schematic Diagrams and Parts List (PCB 8415234H01)



ZMY30004-O

Figure 9-75. UHF (403-470 MHz) Main Board Top Side PCB No. 8415234H01



ZMY3005-O

Figure 9-76. UHF (403-470 MHz) Main Board Bottom Side PCB No. 8415234H01

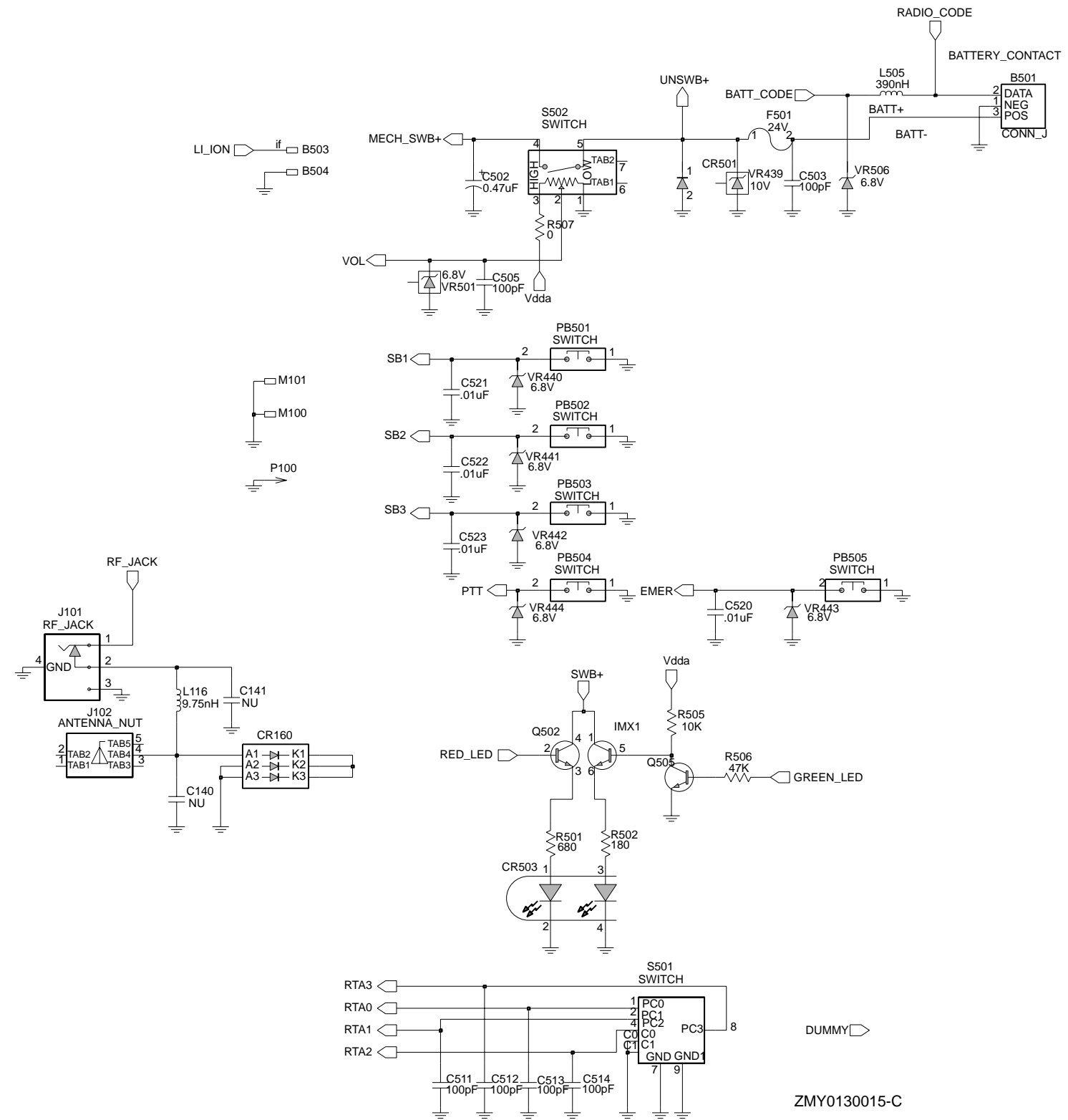


Figure 9-77. UHF Controls And Switches Schematic Diagram

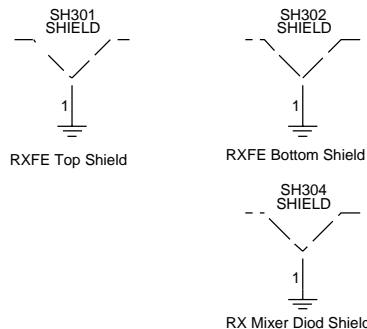
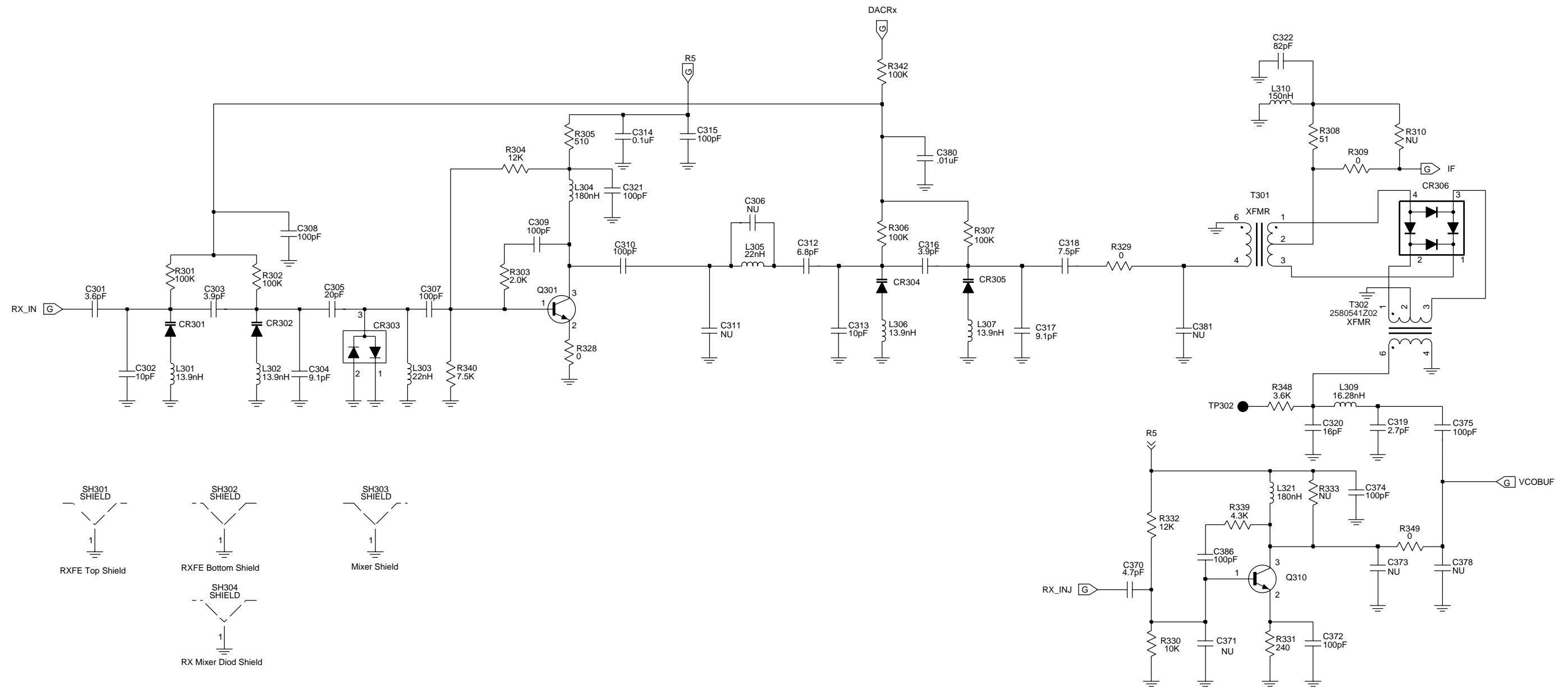


Figure 9-78. UHF Receiver Front End Schematic Diagram

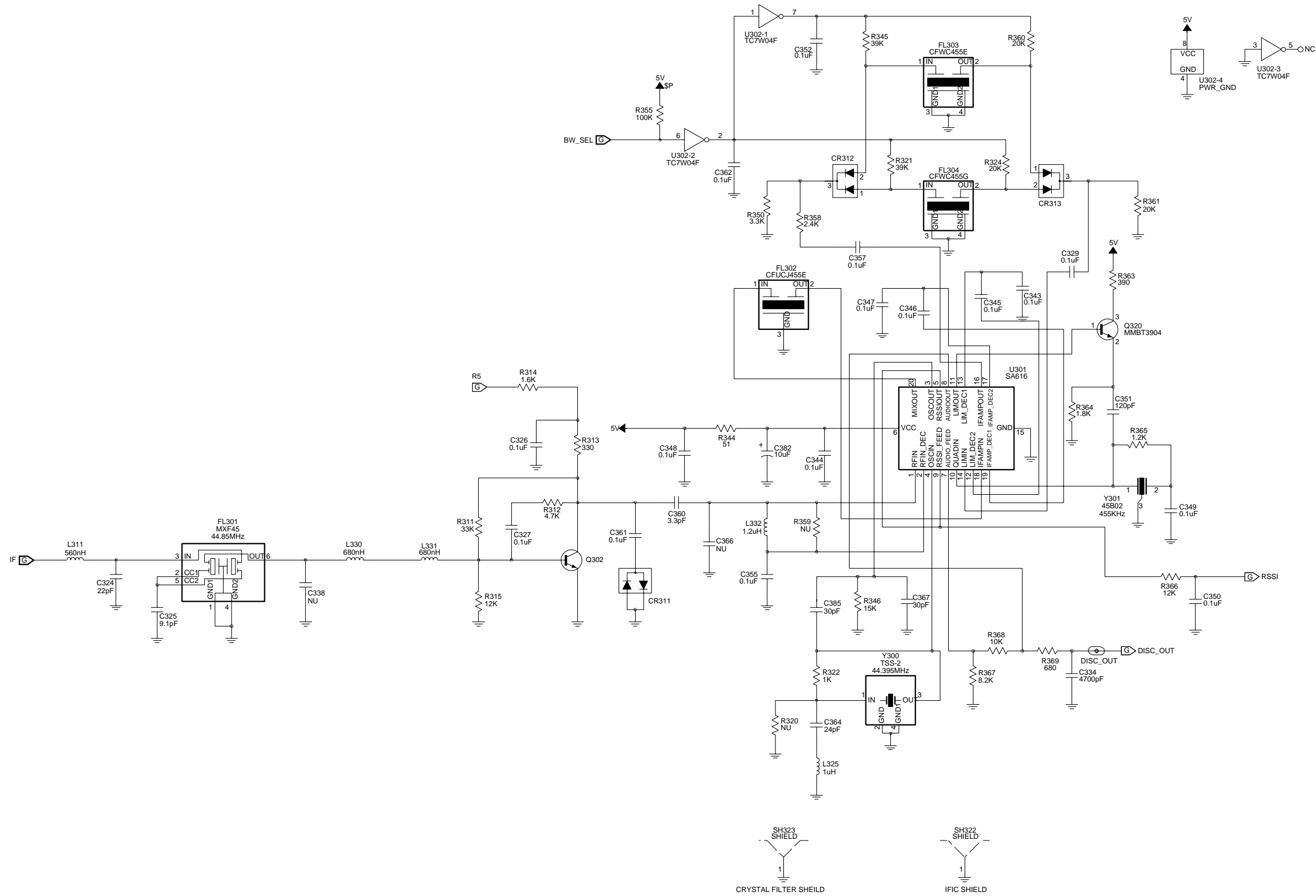


Figure 9-79. UHF Receiver Back End Schematic Diagram

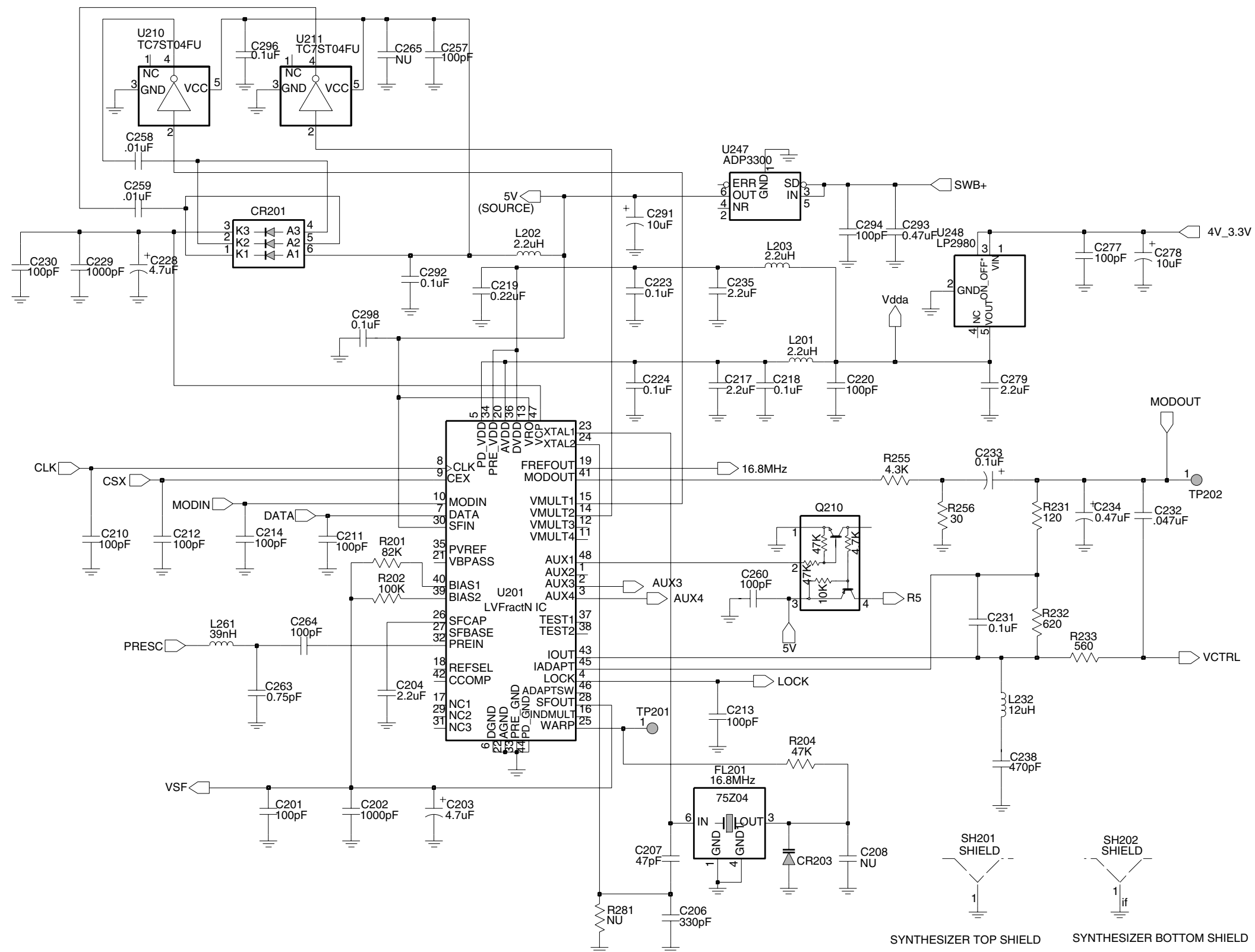


Figure 9-80. UHF Synthesizer Schematic Diagram

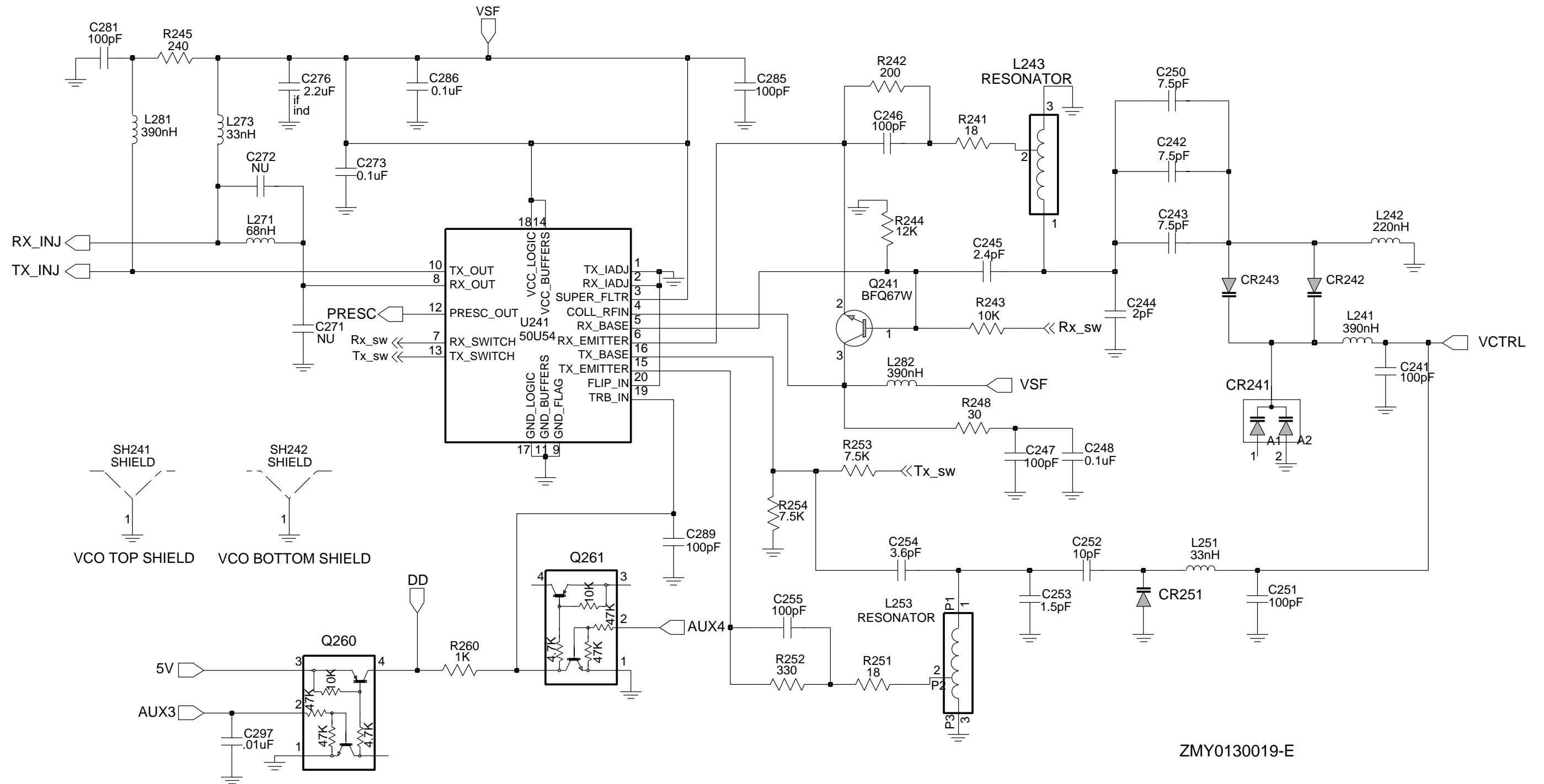


Figure 9-81. UHF Voltage Controlled Oscillator Schematic Diagram

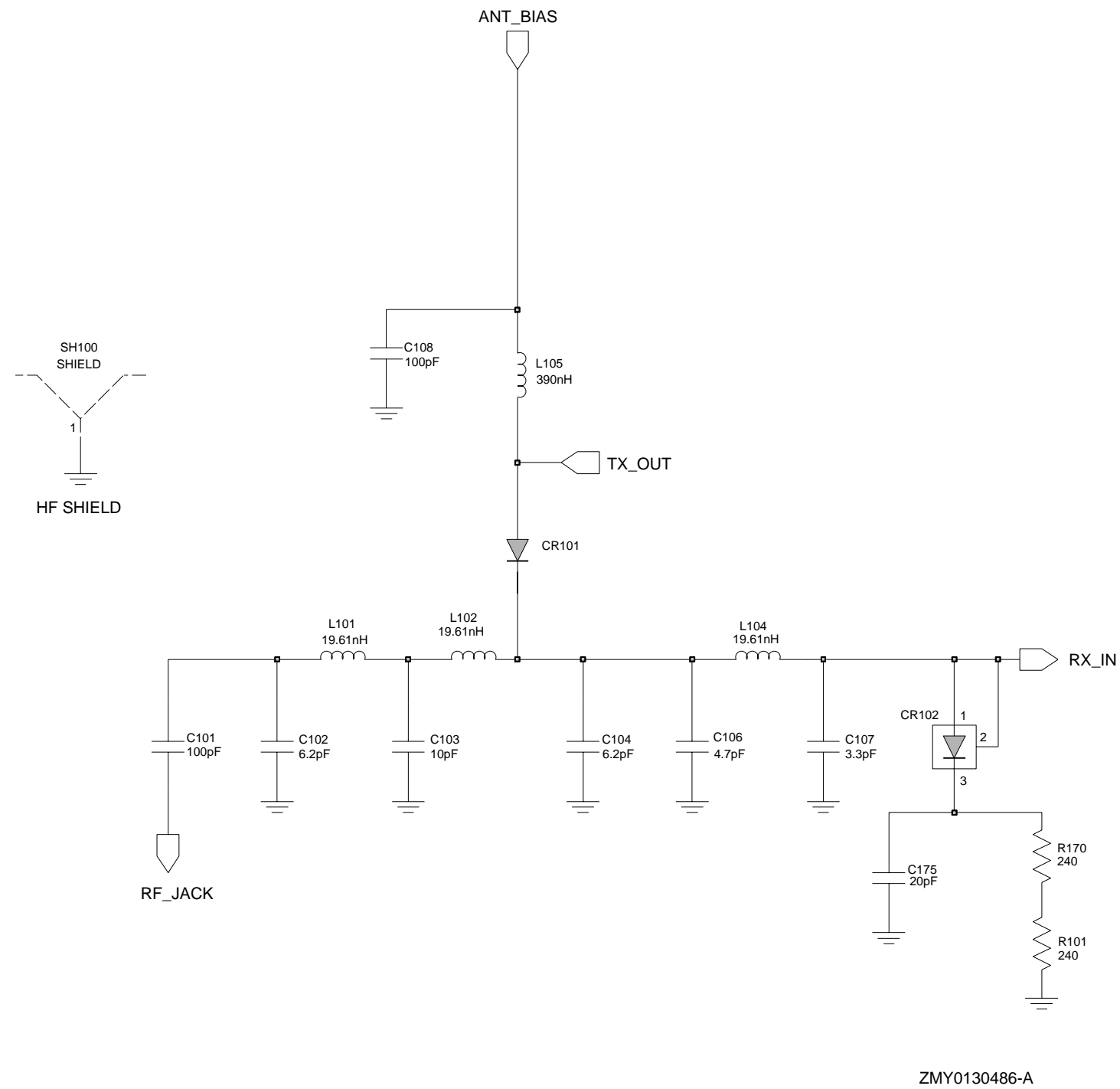


Figure 9-82. UHF Harmonic Filter Schematic Diagram

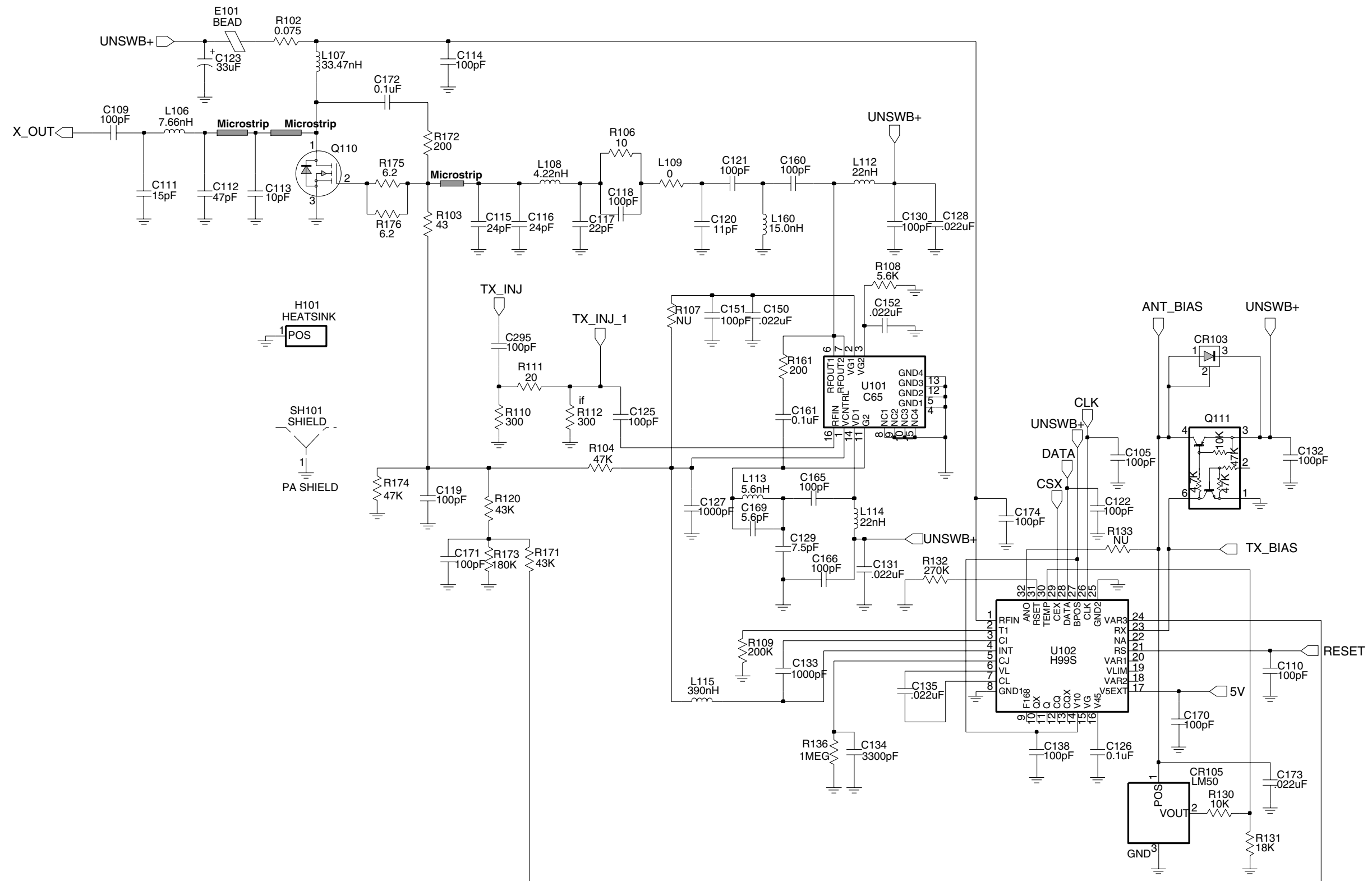


Figure 9-83. UHF Transmitter Schematic Diagram

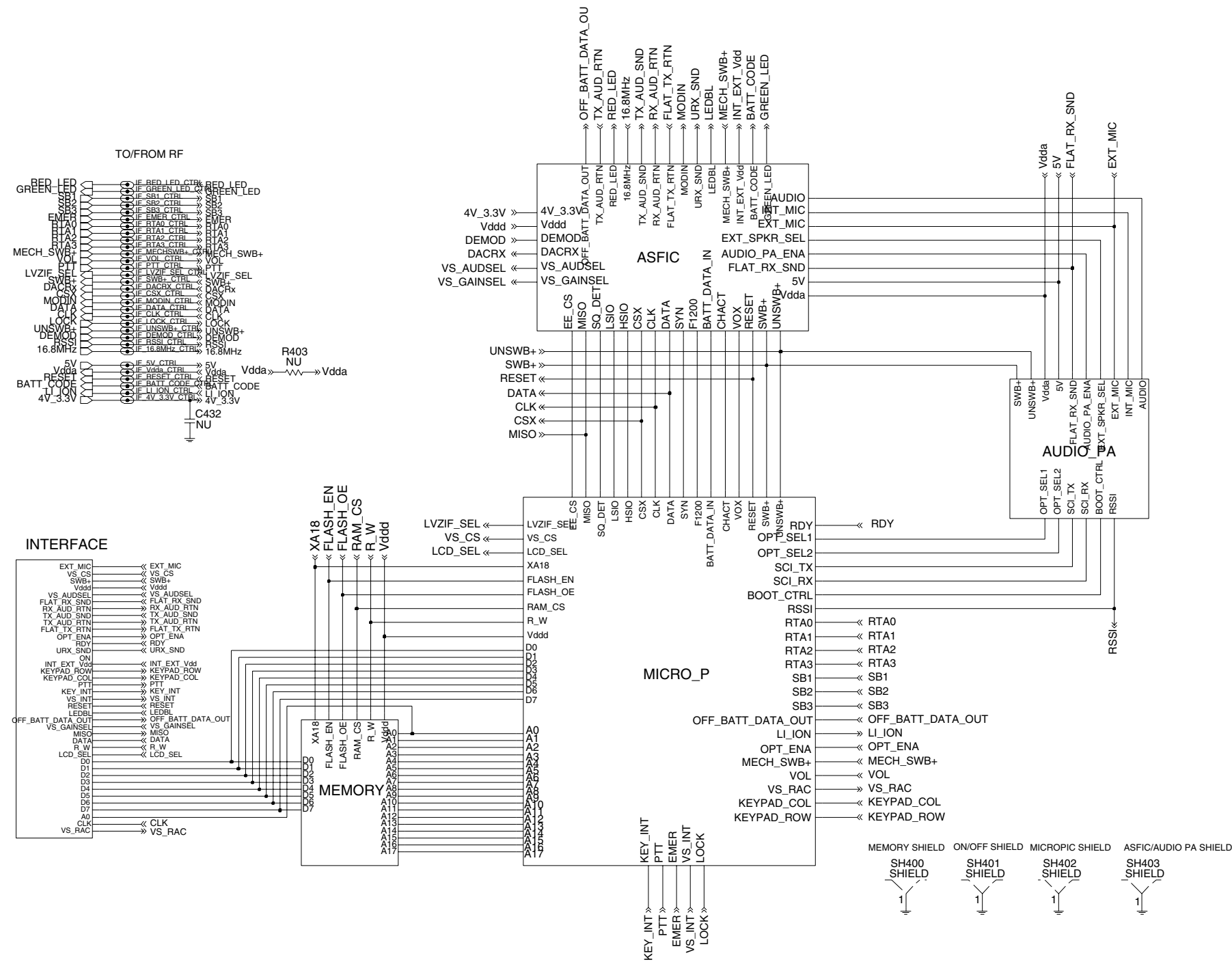


Figure 9-84. Complete Controller Schematic Diagram

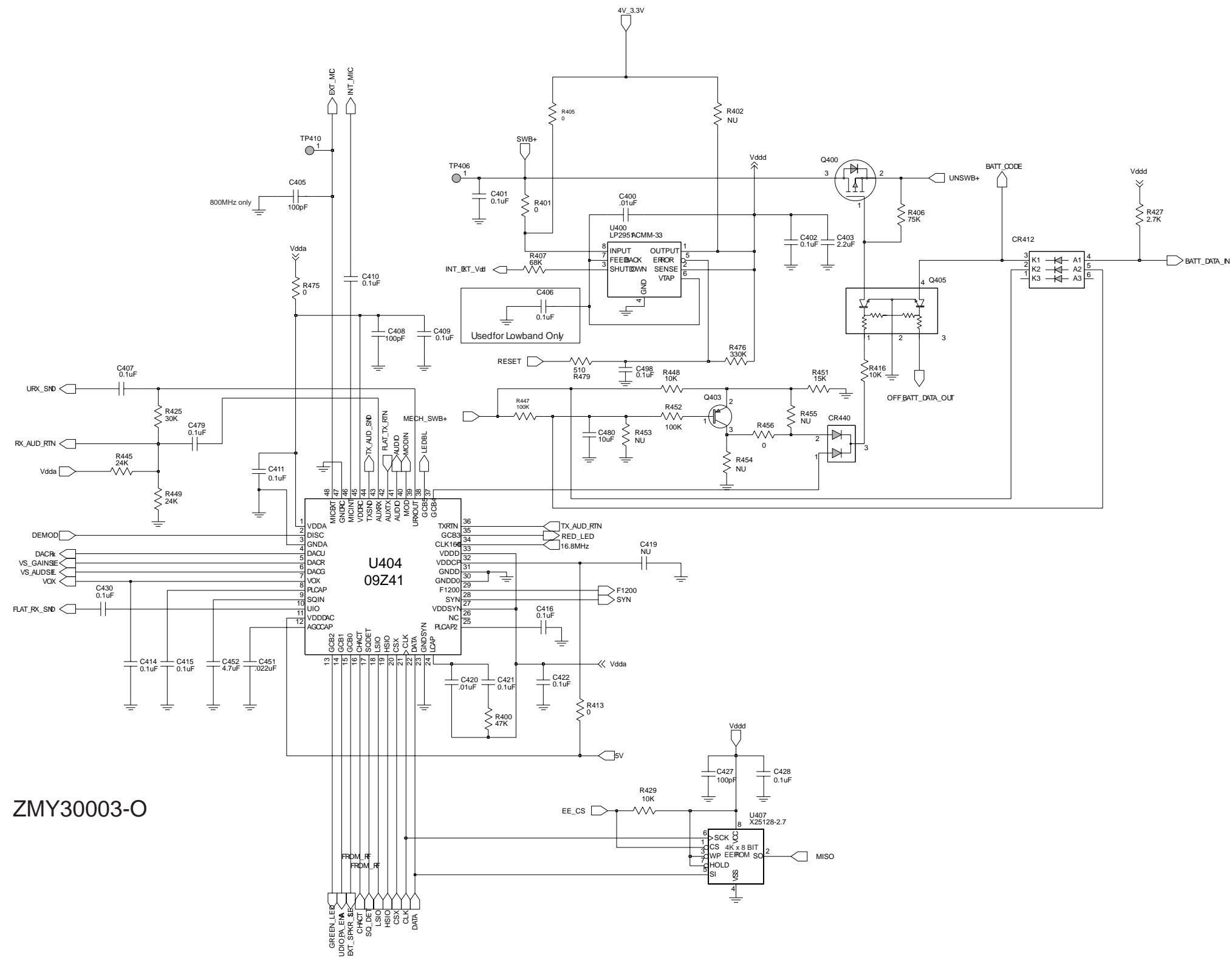


Figure 9-85. Controller ASFIC/ON_OFF Schematic Diagram

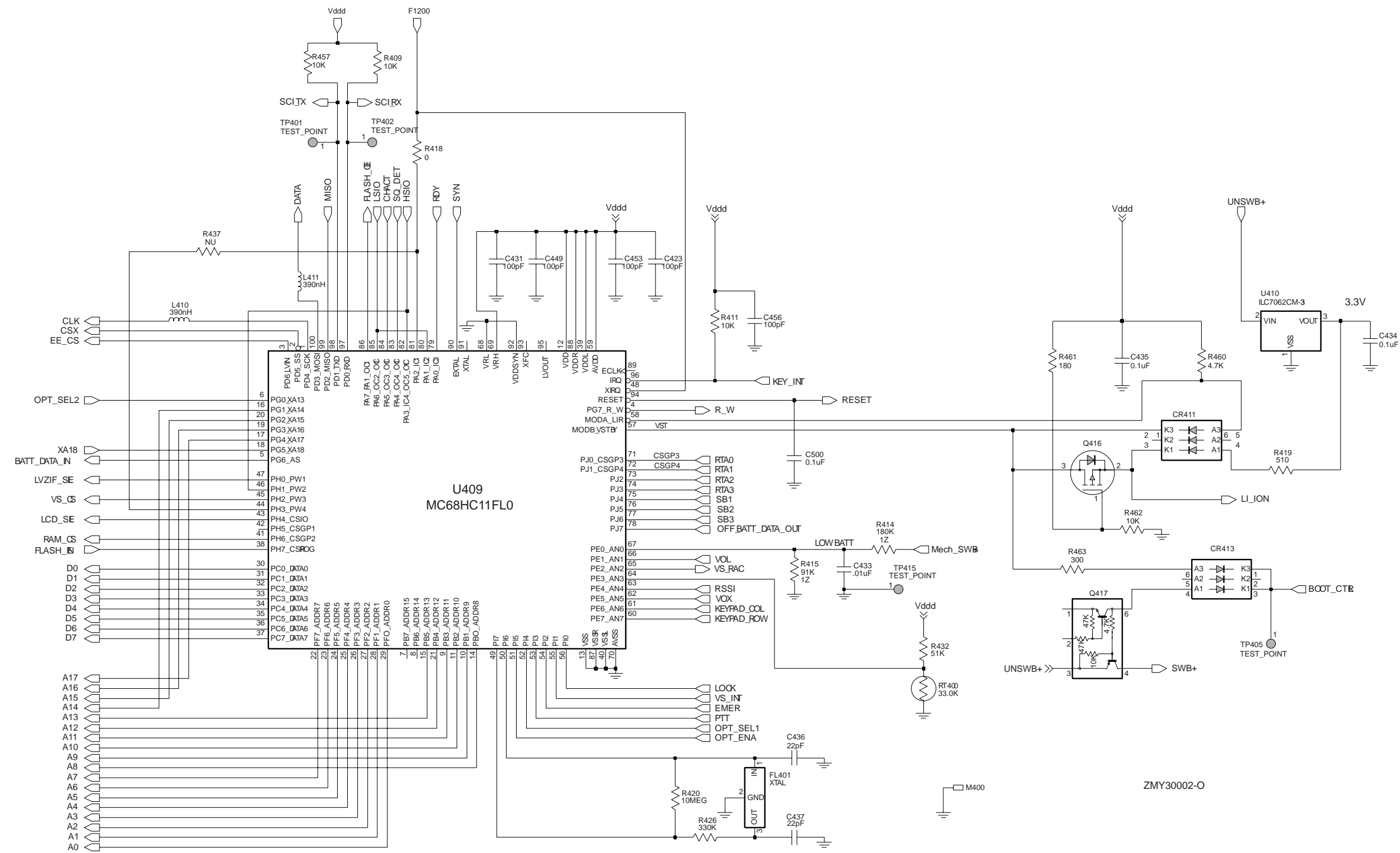
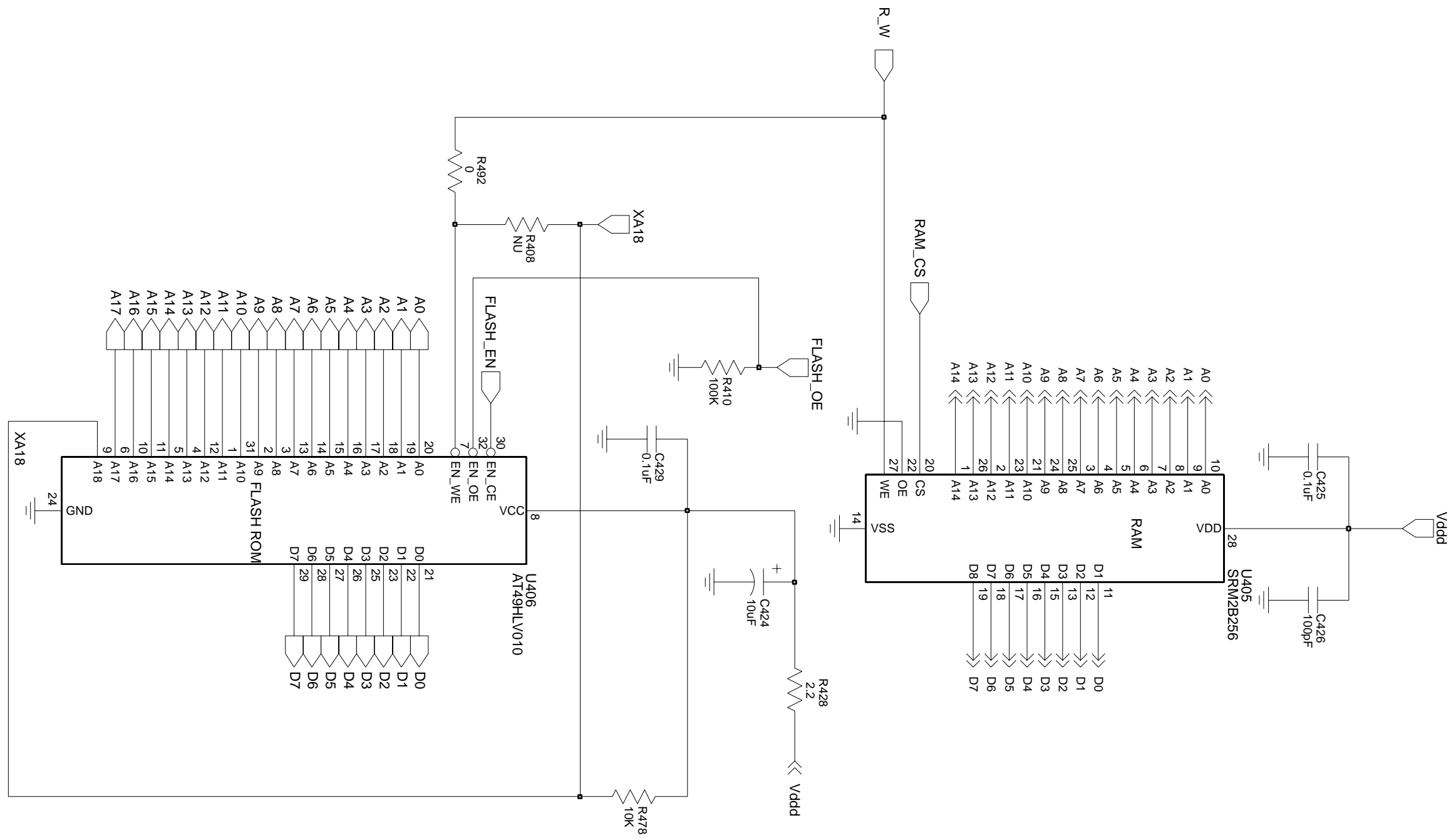


Figure 9-86. Controller Microprocessor Schematic Diagram



ZMV0130087-B

Figure 9-87. Controller Memory Schematic Diagram

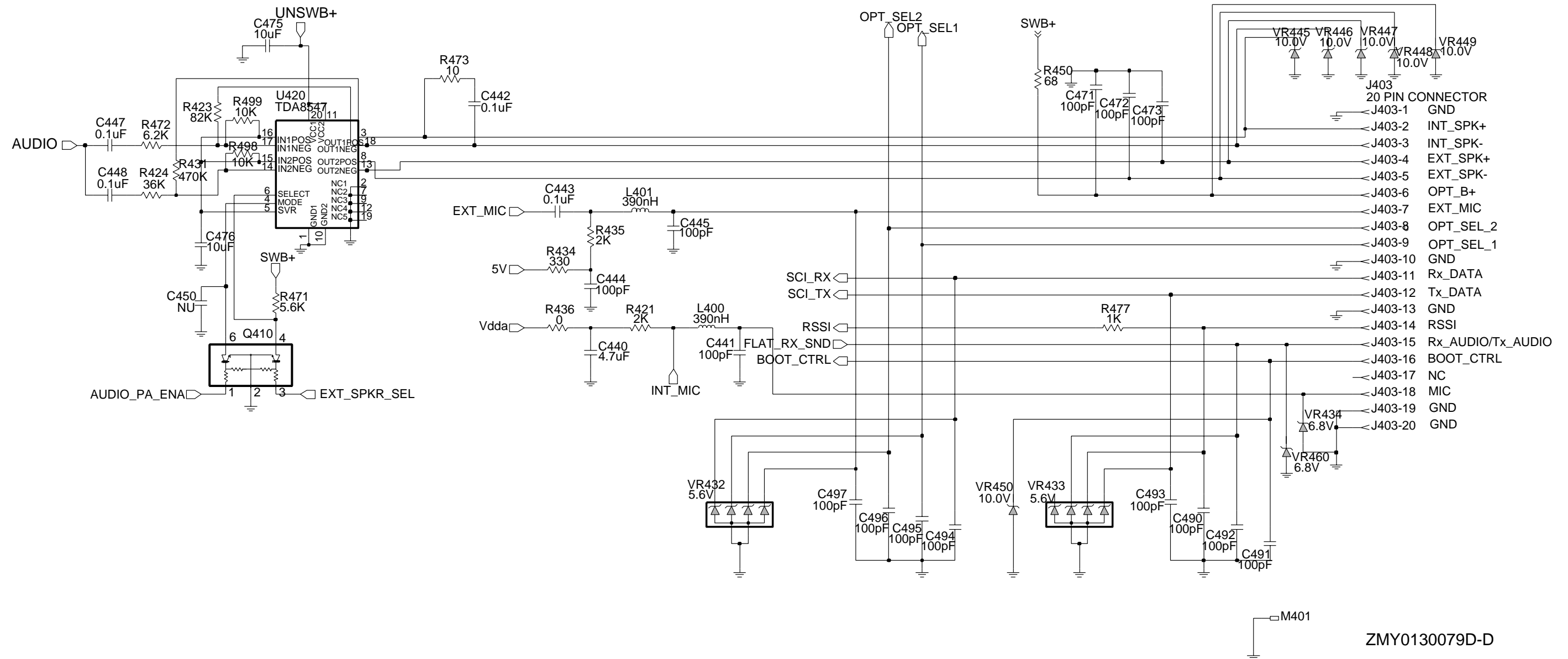


Figure 9-88. Controller Audio Power Amplifier Schematic Diagram

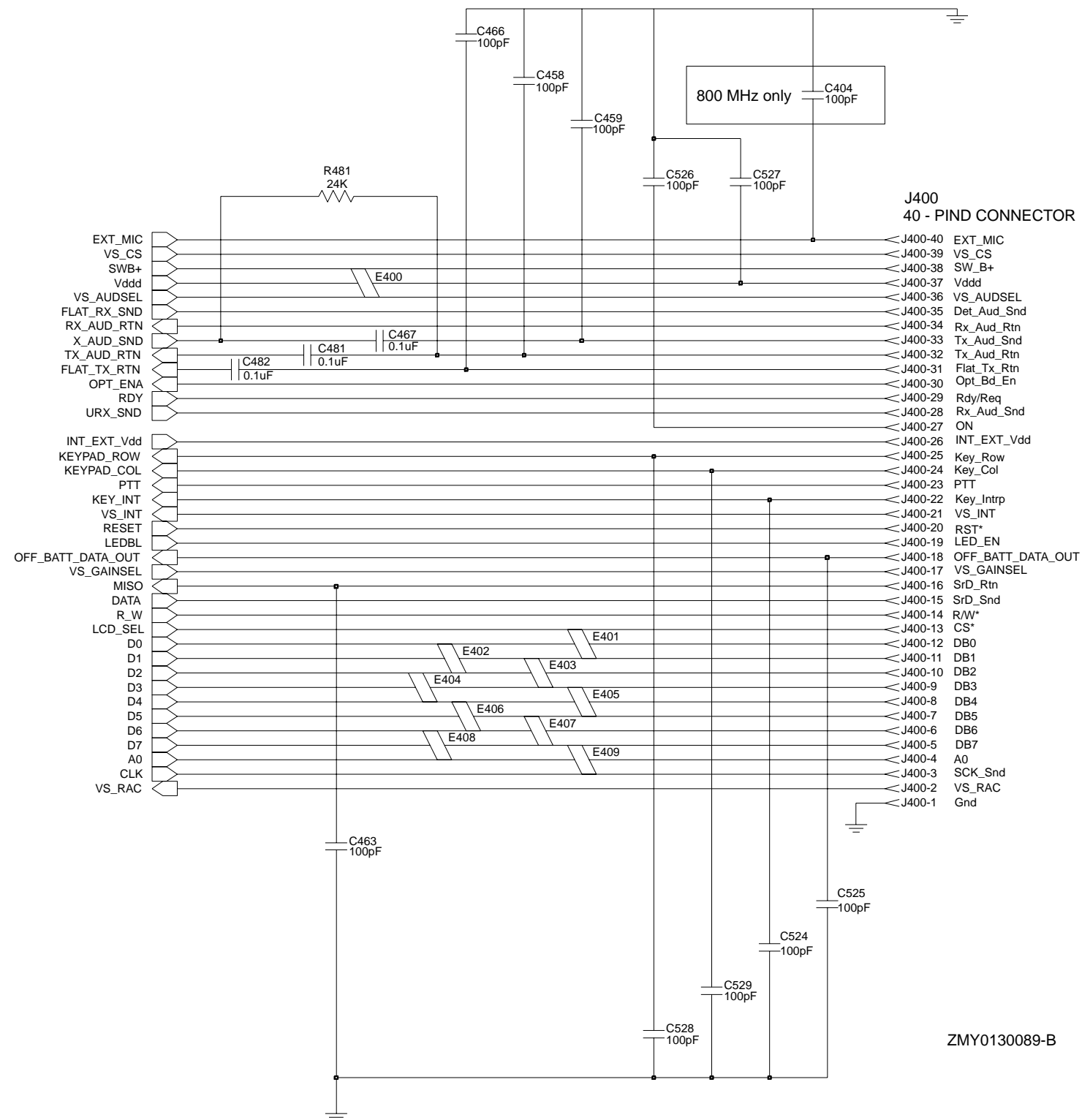


Figure 9-89. Controller Interface Schematic Diagram

UHF (403-470 MHz) Radio Parts List (PCB 8415234H01)

Circuit Ref	Motorola Part No.	Description
B501	0986237A02	Connector (Contact Battery)
B503	3980502Z01	Contact, Backup B+
B504	3980501Z01	Contact, Backup B-
C101	2113944C45	CAP CER CHP 100.0PF 50V 5%
C102	2113944C72	CAP,FXD,6.2PF,.25PF+/-,,,50V-DC,060
C103	2113944C30	CAP CER CHP 10.0PF 50V +/- 0.5PF
C104	2113944C72	CAP,FXD,6.2PF,.25PF+/-,,,50V-DC,060
C105	2113944A40	CAP CER CHP 100.0PF 50V 5%
C106	2113944C22	CAP CER CHP 4.7PF 50V +/- 0.25PF
C107	2113944C18	CAP CER CHP 3.3PF 50V +/- 0.25PF
C108	2113944A40	CAP CER CHP 100.0PF 50V 5%
C109	2113944C45	CAP CER CHP 100.0PF 50V 5%
C110	2113944A40	CAP CER CHP 100.0PF 50V 5%
C111	2113944C32	CAP CER CHP 15.0PF 50V 5%
C112	2180605Z32	Chip Capacitor, HIGH Q, 47PF
C113	2180605Z16	Chip Capacitor, HIGH Q, 10PF
C114	2113944A40	CAP CER CHP 100.0PF 50V 5%
C115	2115075H01	CAP,CERAMIC CHIP,24PF,+,5%,-5%,50V-
C116	2115075H01	CAP,CERAMIC CHIP,24PF,+,5%,-5%,50V-
C117	2113944A29	CAP CER CHP 22.0PF 50V 5%
C118	2113944A40	CAP CER CHP 100.0PF 50V 5%
C119	2113944A40	CAP CER CHP 100.0PF 50V 5%
C120	2113944A77	CAP,FXD,11PF,+,5%,-5%,50V-DC,0402,C
C121	2113944A40	CAP CER CHP 100.0PF 50V 5%
C122	2113944A40	CAP CER CHP 100.0PF 50V 5%
C123	2313960F04	CAP TANT 33 UF 10% 16V 6032-28

Circuit Ref	Motorola Part No.	Description
C125	2113944A40	CAP CER CHP 100.0PF 50V 5%
C126	2113946K02	CAP CER CHP 0.10UF 16V
C127	2113945A09	CAP CER CHP 1000PF 50V 10%
C128	2113945B04	CAP,FXD,.022UF,+,10%,-10%,25V-DC,04
C129	2113944A22	CAP CER CHP 7.5PF 50V +/- 0.5PF
C130	2113944A40	CAP CER CHP 100.0PF 50V 5%
C131	2113945B04	CAP,FXD,.022UF,+,10%,-10%,25V-DC,04
C132	2113944A40	CAP CER CHP 100.0PF 50V 5%
C133	2113945A09	CAP CER CHP 1000PF 50V 10%
C134	2113945A12	CAP CER CHP 3300PF 50V 10%
C135	2113945B04	CAP,FXD,.022UF,+,10%,-10%,25V-DC,04
C138	2113944A40	CAP CER CHP 100.0PF 50V 5%
C140	0613952H91	CER CHIP RES 5600 OHM 5% 0603
C141	NOT PLACED	-
C150	2113945B04	CAP,FXD,.022UF,+,10%,-10%,25V-DC,04
C151	2113944A40	CAP CER CHP 100.0PF 50V 5%
C152	2113945B04	CAP,FXD,.022UF,+,10%,-10%,25V-DC,04
C160	2113944A40	CAP CER CHP 100.0PF 50V 5%
C161	2113946K02	CAP CER CHP 0.10UF 16V
C165	2113944A40	CAP CER CHP 100.0PF 50V 5%
C166	2113944A40	CAP CER CHP 100.0PF 50V 5%
C169	2113944A19	CAP CER CHP 5.6PF 50V +/- 0.5PF
C170	2113944A40	CAP CER CHP 100.0PF 50V 5%
C171	2113944A40	CAP CER CHP 100.0PF 50V 5%
C172	2113944C45	CAP CER CHP 100.0PF 50V 5%
C173	2113945B04	CAP,FXD,.022UF,+,10%,-10%,25V-DC,04
C174	2113944A40	CAP CER CHP 100.0PF 50V 5%

Circuit Ref	Motorola Part No.	Description
C175	2113944C45	CAP CER CHP 100.0PF 50V 5%
C201	2113944A40	CAP CER CHP 100.0PF 50V 5%
C202	2113945A09	CAP CER CHP 1000PF 50V 10%
C203	2113928L05	CAP CERAMIC CHIP 4.7 UF
C204	2113946N03	CAP CER CHP 2.2UF 16V
C206	2113944C04	CAP CER CHP 330.0PF 50V 5%
C207	2113944A33	CAP CER CHP 47.0PF 50V 5%
C208	NOT PLACED	-
C210	2113944A40	CAP CER CHP 100.0PF 50V 5%
C211	2113944A40	CAP CER CHP 100.0PF 50V 5%
C212	2113944A40	CAP CER CHP 100.0PF 50V 5%
C213	2113944A40	CAP CER CHP 100.0PF 50V 5%
C214	2113944A40	CAP CER CHP 100.0PF 50V 5%
C217	2113946N03	CAP CER CHP 2.2UF 16V
C218	2113946K02	CAP CER CHP 0.10UF 16V
C219	2113946L03	CAP CER CHP 0.22UF 16V
C220	2113944A40	CAP CER CHP 100.0PF 50V 5%
C223	2113946K02	CAP CER CHP 0.10UF 16V
C224	2113946K02	CAP CER CHP 0.10UF 16V
C228	2313960D05	CAP TANT 4.7 UF 10% 16V 3528-21
C229	2113945A09	CAP CER CHP 1000PF 50V 10%
C230	2113944A40	CAP CER CHP 100.0PF 50V 5%
C231	2113946K02	CAP CER CHP 0.10UF 16V
C232	2113945D02	CAP CER CHP 47,000PF 25V 10%
C233	2313960A26	CAP TANT 0.1 UF 10% 35V 3216-18
C234	2313960A55	CAP TANT 0.47 UF 10% 25V 3216-18
C235	2113946N03	CAP CER CHP 2.2UF 16V
C238	2113945L17	CAP,FXD,470PF,+,5%,-5%,50V-DC,0603,
C241	2113944A40	CAP CER CHP 100.0PF 50V 5%
C242	2113944A22	CAP CER CHP 7.5PF 50V +/- 0.5PF

Circuit Ref	Motorola Part No.	Description
C243	2113944A22	CAP CER CHP 7.5PF 50V +/- 0.5PF
C244	2113944C13	CAP CER CHP 2.0PF 50V +/- 0.25PF
C245	2113944A10	CAP CER CHP 2.4PF 50V +/- 0.25PF
C246	2113944A40	CAP CER CHP 100.0PF 50V 5%
C247	2113944A40	CAP CER CHP 100.0PF 50V 5%
C248	2113946K02	CAP CER CHP 0.10UF 16V
C250	2113944A22	CAP CER CHP 7.5PF 50V +/- 0.5PF
C251	2113944A40	CAP CER CHP 100.0PF 50V 5%
C252	2113944A25	CAP CER CHP 10.0PF 50V +/- 0.5PF
C253	2113944C12	CAP CER CHP 1.8PF 50V +/- 0.25PF
C254	2113944A14	CAP CER CHP 3.6PF 50V +/- 0.25PF
C255	2113944A40	CAP CER CHP 100.0PF 50V 5%
C257	2113944A40	CAP CER CHP 100.0PF 50V 5%
C258	2113945B02	CAP CER CHP 10,000PF 25V 10%
C259	2113945B02	CAP CER CHP 10,000PF 25V 10%
C260	2113944A40	CAP CER CHP 100.0PF 50V 5%
C263	2113944A62	CAP,FXD,.75PF,.25PF+/-,,,50V-DC,040
C264	2113944A40	CAP CER CHP 100.0PF 50V 5%
C265	NOT PLACED	-
C271	NOT PLACED	-
C272	NOT PLACED	-
C273	2113946K02	CAP CER CHP 0.10UF 16V
C276	2113946N03	CAP CER CHP 2.2UF 16V
C277	2113944A40	CAP CER CHP 100.0PF 50V 5%
C278	2313960D07	CAP TANT 10 UF 10% 16V 3528-21
C279	2113946N03	CAP CER CHP 2.2UF 16V
C281	2113944A40	CAP CER CHP 100.0PF 50V 5%
C285	2113944A40	CAP CER CHP 100.0PF 50V 5%
C286	2113946K02	CAP CER CHP 0.10UF 16V

Circuit Ref	Motorola Part No.	Description
C289	2113944A40	CAP CER CHP 100.0PF 50V 5%
C291	2313960M51	CAP TANT 10 UF 10% 6.3V 2012-12
C292	2113946K02	CAP CER CHP 0.10UF 16V
C293	2113945G98	CAP,FXD, .47UF, +10%, -10%,50V-DC,080
C294	2113944A40	CAP CER CHP 100.0PF 50V 5%
C295	2113944A40	CAP CER CHP 100.0PF 50V 5%
C296	2113946K02	CAP CER CHP 0.10UF 16V
C297	2113945B02	CAP CER CHP 10,000PF 25V 10%
C298	2113946K02	CAP CER CHP 0.10UF 16V
C301	2113944A14	CAP CER CHP 3.6PF 50V +/- 0.25PF
C302	2113944A25	CAP CER CHP 10.0PF 50V +/- 0.5PF
C303	2113944C20	CAP CER CHP 3.9PF 50V +/- 0.25PF
C304	2113944A25	CAP CER CHP 10.0PF 50V +/- 0.5PF
C305	2113944A80	CAP,FXD,20PF, +5%, -5%,50V-DC,0402,C
C306	NOTPLACED	-
C307	2113944A40	CAP CER CHP 100.0PF 50V 5%
C308	2113944A40	CAP CER CHP 100.0PF 50V 5%
C309	2113944A40	CAP CER CHP 100.0PF 50V 5%
C310	2113944A40	CAP CER CHP 100.0PF 50V 5%
C311	NOT PLACED	-
C312	2113944A24	CAP CER CHP 9.1PF 50V +/- 0.5PF
C313	2113944A25	CAP CER CHP 10.0PF 50V +/- 0.5PF
C314	2113946K02	CAP CER CHP 0.10UF 16V
C315	2113944A40	CAP CER CHP 100.0PF 50V 5%
C316	2113944C20	CAP CER CHP 3.9PF 50V +/- 0.25PF
C317	2113944A24	CAP CER CHP 9.1PF 50V +/- 0.5PF
C318	2113944A22	CAP CER CHP 7.5PF 50V +/- 0.5PF
C319	2113944A11	CAP CER CHP 2.7PF 50V +/- 0.25PF

Circuit Ref	Motorola Part No.	Description
C320	2113944A79	CAP,FXD,16PF, +5%, -5%,50V-DC,0402,C
C321	2113944A40	CAP CER CHP 100.0PF 50V 5%
C322	2113944A38	CAP CER CHP 82.0PF 50V 5%
C324	2113944A29	CAP CER CHP 22.0PF 50V 5%
C325	2115153H26	CAP, CERAMIC, COG
C326	2113946K02	CAP CER CHP 0.10UF 16V
C327	2113946K02	CAP CER CHP 0.10UF 16V
C328	2113946K02	CAP CER CHP 0.10UF 16V
C329	2113946K02	CAP CER CHP 0.10UF 16V
C334	2113945A13	CAP CER CHP 4700PF 50V 10%
C337	NOT PLACED	-
C338	NOT PLACED	-
C343	2113946K02	CAP CER CHP 0.10UF 16V
C344	2113945D04	CAP CER CHP 100,000PF 25V 10%
C345	2113946K02	CAP CER CHP 0.10UF 16V
C346	2113946K02	CAP CER CHP 0.10UF 16V
C347	2113946K02	CAP CER CHP 0.10UF 16V
C348	2113946K02	CAP CER CHP 0.10UF 16V
C349	2113945D04	CAP CER CHP 100,000PF 25V 10%
C350	2113946K02	CAP CER CHP 0.10UF 16V
C351	2113944A41	CAP CER CHP 120.0PF 50V 5%
C352	2113946K02	CAP CER CHP 0.10UF 16V
C355	2113946K02	CAP CER CHP 0.10UF 16V
C357	2113946K02	CAP CER CHP 0.10UF 16V
C358	NOT PLACED	-
C359	NOT PLACED	-
C360	2113944A13	CAP CER CHP 3.3PF 50V +/- 0.25PF
C361	2113946K02	CAP CER CHP 0.10UF 16V
C362	2113946K02	CAP CER CHP 0.10UF 16V
C364	2115075H01	CAP,CERAMIC CHIP, 24PF, +5%, -5%,50V-
C366	NOT PLACED	-
C367	2115075H02	CAP,CERAMIC CHIP,30PF,+5%, -5%,50V-
C370	2113944A17	CAP CER CHP 4.7PF 50V +/- 0.25PF
C371	NOT PLACED	-
C372	2113944A40	CAP CER CHP 100.0PF 50V 5%
C373	NOT PLACED	-
C374	2113944A40	CAP CER CHP 100.0PF 50V 5%

Circuit Ref	Motorola Part No.	Description
C375	2113944A40	CAP CER CHP 100.0PF 50V 5%
C378	NOT PLACED	-
C380	2113945B02	CAP CER CHP 10,000PF 25V 10%
C381	NOT PLACED	-
C382	2313960B57	CAP,TANTA-LUM,10UF,+10%, -10%,4V-DC,S
C383	NOT PLACED	-
C385	2115075H02	CAP,CERAMIC CHIP,30PF, +5%, -5%,50V-
C386	2113944A40	CAP CER CHP 100.0PF 50V 5%
C390	NOT PLACED	-
C400	2113945B02	CAP CER CHP 10,000PF 25V 10%
C401	2113946K02	CAP CER CHP 0.10UF 16V
C402	2113946K02	CAP CER CHP 0.10UF 16V
C403	2113743G24	CAP CHIP 2.2 UF 16V+80-20%
C404	NOT PLACED	-
C405	2113944A40	CAP CER CHP 100.0PF 50V 5%
C406	NOT PLACED	-
C407	2113946B04	CAP CER CHP 0.10UF 10V 10%
C408	2113944A40	CAP CER CHP 100.0PF 50V 5%
C409	2113946K02	CAP CER CHP 0.10UF 16V
C410	2113946B04	CAP CER CHP 0.10UF 10V 10%
C411	2113946K02	CAP CER CHP 0.10UF 16V
C414	2113946K02	CAP CER CHP 0.10UF 16V
C415	2185895Z01	CAPACITOR CER LOW DIST .01UF
C416	2113946B04	CAP CER CHP 0.10UF 10V 10%
C419	NOT PLACED	-
C420	2113945B02	CAP CER CHP 10,000PF 25V 10%
C421	2113946B04	CAP CER CHP 0.10UF 10V 10%
C422	2113946K02	CAP CER CHP 0.10UF 16V
C423	2113944A40	CAP CER CHP 100.0PF 50V 5%
C424	2313960B57	CAP,TANTA-LUM,10UF,+10%, -10%,4V-DC,S
C425	2113946K02	CAP CER CHP 0.10UF 16V

Circuit Ref	Motorola Part No.	Description
C426	2113944A40	CAP CER CHP 100.0PF 50V 5%
C427	2113944A40	CAP CER CHP 100.0PF 50V 5%
C428	2113946K02	CAP CER CHP 0.10UF 16V
C429	2113946K02	CAP CER CHP 0.10UF 16V
C430	2113946B04	CAP CER CHP 0.10UF 10V 10%
C431	2113944A40	CAP CER CHP 100.0PF 50V 5%
C432	NOTPLACED	-
C433	2113945B02	CAP CER CHP 10,000PF 25V 10%
C434	2113946B04	CAP CER CHP 0.10UF 10V 10%
C435	2113946K02	CAP CER CHP 0.10UF 16V
C436	2113944A29	CAP CER CHP 22.0PF 50V 5%
C437	2113944A29	CAP CER CHP 22.0PF 50V 5%
C440	2113946Q01	CAP CER CHP 4.7UF 16V
C441	2113944A40	CAP CER CHP 100.0PF 50V 5%
C442	2113945D04	CAP CER CHP 100,000PF 25V 10%
C443	2113946B04	CAP CER CHP 0.10UF 10V 10%
C444	2113944A40	CAP CER CHP 100.0PF 50V 5%
C445	2113944A40	CAP CER CHP 100.0PF 50V 5%
C447	2113945B04	CAP,FXD, .022UF, +10%, -10%,25V-DC,04
C448	2113946B04	CAP CER CHP 0.10UF 10V 10%
C449	2113944A40	CAP CER CHP 100.0PF 50V 5%
C450	NOT PLACED	-
C451	2113945B04	CAP,FXD, .022UF, +10%, -10%,25V-DC,04
C452	2113743B29	CAP CHIP 1.00 UF 10% 16V
C453	2113944A40	CAP CER CHP 100.0PF 50V 5%
C456	2113944A40	CAP CER CHP 100.0PF 50V 5%
C458	2113944A40	CAP CER CHP 100.0PF 50V 5%
C459	2113944A40	CAP CER CHP 100.0PF 50V 5%
C463	2113944A40	CAP CER CHP 100.0PF 50V 5%

Circuit Ref	Motorola Part No.	Description
C466	2113944A40	CAP CER CHP 100.0PF 50V 5%
C467	2113946B04	CAP CER CHP 0.10UF 10V 10%
C471	2113944A40	CAP CER CHP 100.0PF 50V 5%
C472	2113945A05	CAP CER CHP 470PF 50V 10%
C473	2113945A05	CAP CER CHP 470PF 50V 10%
C475	2113743H14	CAP CHIP 10.0 UF 16V +80-20%
C476	2113946R01	CAP CER CHP 10.0UF 10V
C479	2113946B04	CAP CER CHP 0.10UF 10V 10%
C480	2113946R01	CAP CER CHP 10.0UF 10V
C481	2113946B04	CAP CER CHP 0.10UF 10V 10%
C482	2113946B04	CAP CER CHP 0.10UF 10V 10%
C490	2113944A40	CAP CER CHP 100.0PF 50V 5%
C491	2113944A40	CAP CER CHP 100.0PF 50V 5%
C492	2113944A40	CAP CER CHP 100.0PF 50V 5%
C493	2113944A40	CAP CER CHP 100.0PF 50V 5%
C494	2113944A40	CAP CER CHP 100.0PF 50V 5%
C495	2113944A40	CAP CER CHP 100.0PF 50V 5%
C496	2113944A40	CAP CER CHP 100.0PF 50V 5%
C497	2113944A40	CAP CER CHP 100.0PF 50V 5%
C498	NOT PLACED	-
C499	2113946B04	CAP CER CHP 0.10UF 10V 10%
C502	2313960A55	CAP TANT 0.47 UF 10% 25V 3216-18
C503	2113944A40	CAP CER CHP 100.0PF 50V 5%
C505	2113944A40	CAP CER CHP 100.0PF 50V 5%
C511	2113944A40	CAP CER CHP 100.0PF 50V 5%
C512	2113944A40	CAP CER CHP 100.0PF 50V 5%
C513	2113944A40	CAP CER CHP 100.0PF 50V 5%

Circuit Ref	Motorola Part No.	Description
C514	2113944A40	CAP CER CHP 100.0PF 50V 5%
C520	2113945B02	CAP CER CHP 10,000PF 25V 10%
C521	2113945B02	CAP CER CHP 10,000PF 25V 10%
C522	2113945B02	CAP CER CHP 10,000PF 25V 10%
C523	2113945B02	CAP CER CHP 10,000PF 25V 10%
C524	2113944A40	CAP CER CHP 100.0PF 50V 5%
C525	2113944A40	CAP CER CHP 100.0PF 50V 5%
C526	2113944A40	CAP CER CHP 100.0PF 50V 5%
C527	2113944A40	CAP CER CHP 100.0PF 50V 5%
C528	2113944A40	CAP CER CHP 100.0PF 50V 5%
C529	2113944A40	CAP CER CHP 100.0PF 50V 5%
C610	2113944A40	CAP CER CHP 100.0PF 50V 5%
C611	2113944A40	CAP CER CHP 100.0PF 50V 5%
C612	2113944A40	CAP CER CHP 100.0PF 50V 5%
C613	2113944A40	CAP CER CHP 100.0PF 50V 5%
C615	2113944A40	CAP CER CHP 100.0PF 50V 5%
C616	2113944A40	CAP CER CHP 100.0PF 50V 5%
C618	2113944A40	CAP CER CHP 100.0PF 50V 5%
C619	2113944A40	CAP CER CHP 100.0PF 50V 5%
C620	2113944A40	CAP CER CHP 100.0PF 50V 5%
C621	2113944A40	CAP CER CHP 100.0PF 50V 5%
C622	2113944A40	CAP CER CHP 100.0PF 50V 5%
CR101	4880973Z02	Pin Diode
CR102	4815257H01	Surface Mount Pin Diodes
CR103	4815257H01	Surface Mount Pin Diodes
CR105	5115022H01	IC,TEMP SENS,LM50C,SM,SOT-23
CR160	NOTPLACED	-
CR201	4815011H01	DIODE,SWG,,,,300MA,80V

Circuit Ref	Motorola Part No.	Description
CR203	4815072H01	DIODE,VCTR,1SV232,30V
CR241	4815071H01	DIODE,VCTR,1SV228,15V
CR242	4815279H01	BBY5503WE6327 From Infineon
CR243	4815279H01	BBY5503WE6327 From Infineon
CR251	4815322H01	VHF Variable Capacitance Diode
CR301	4815279H01	BBY5503WE6327 From Infineon
CR302	4815279H01	BBY5503WE6327 From Infineon
CR303	4815048H01	Diode,SHTK,MMBD353LT1,S M,,,7V
CR304	4815279H01	BBY5503WE6327 From Infineon
CR305	4815279H01	BBY5503WE6327 From Infineon
CR306	4802245J42	Ring Quad Diode SOT-143 PKG
CR311	4813974A19	Diode Schottky Barrier Series
CR312	4815047H01	Diode,SWG,DAN235EFTL,35 V
CR313	4815047H01	Diode,SWG,DAN235EFTL,35 V
CR411	4815067H01	Diode Array,SWG,RB731UFT108,S MD,1M
CR412	4815067H01	Diode Array,SWG,RB731UFT108,S MD,1M
CR413	4815067H01	Diode Array,SWG,RB731UFT108,S MD,1M
CR440	4813978C02	PB Free, Not Completely Enriched Rectifier
CR501	4815155H01	Diode Red/Yel
CR503	4805729G49	LED
D601	4880479U01	LED
D602	4880479U01	LED
D603	4880479U01	LED
D604	4880479U01	LED
D605	4880479U01	LED
D606	4880479U01	LED
E101	2484657R01	Inductor Bead Chip
E400	2480640Z01	Surface Mount Ferrite Bead
E401	2480640Z01	Surface Mount Ferrite Bead
E402	2480640Z01	Surface Mount Ferrite Bead
E403	2480640Z01	Surface Mount Ferrite Bead
E404	2480640Z01	Surface Mount Ferrite Bead
E405	2480640Z01	Surface Mount Ferrite Bead

Circuit Ref	Motorola Part No.	Description
E406	2480640Z01	Surface Mount Ferrite Bead
E407	2480640Z01	Surface Mount Ferrite Bead
E408	2480640Z01	Surface Mount Ferrite Bead
E409	2480640Z01	Surface Mount Ferrite Bead
E634	2480640Z01	Surface Mount Ferrite Bead
E637	2480640Z01	Surface Mount Ferrite Bead
E638	2480640Z01	Surface Mount Ferrite Bead
E639	2480640Z01	Surface Mount Ferrite Bead
E640	2480640Z01	Surface Mount Ferrite Bead
E641	2480640Z01	Surface Mount Ferrite Bead
E642	2480640Z01	Surface Mount Ferrite Bead
E643	2480640Z01	Surface Mount Ferrite Bead
E644	2480640Z01	Surface Mount Ferrite Bead
E645	2480640Z01	Surface Mount Ferrite Bead
F501	6515076H01	Fuse,FST BLW,3A,24V,Fuse Chip SMT T
FL201	4805875Z04	CRYSTAL 16.8 MHZ
FL301	9180022M11	XTAL FILTER 44.85MHZ
FL302	9180468V05	SMD455KHZ 4 ELEMENT CER FLTR
FL303	9115811H03	SMD455KHZ 6 ELEMENT
FL304	9115811H01	SMD455KHZ 6 ELEMENT
FL401	4870368G02	Reflowable Clock OSC XTAL
H101	2680499Z02	Heat Spreader
J101	0985613Z01	Jack,RF
J102	0280519Z02	Nut, Antenna
J400	0915064H03	Connector, ZIF (40 PINS)
J403	0915064H02	CONN,CONN,F,20CONT,,,CONNECTOR, ZIF
J601	0980521Z03	CONN, ZIF Vertical, 40PINS
J602	0915064H01	CONN,CONN,F,18CONT,,,Connector, ZIF
L101	2479990B02	Air Wound Coil/Green Color 19.61NH
L102	2479990B02	Air Wound Coil/Green Color 19.61NH
L104	2479990B02	Air Wound Coil/Green Color 19.61NH
L105	2462587N22	CHIP IND 390 NH 10%
L106	2479990A02	Air Wound Coil/Green Color 7.66NH
L107	2479990G01	Air Wound Coil/Green Color 33.47NH
L108	2479990A01	Air Wound Coil/Green Color 4.22NH
L109	2479990B01	Air Wound Coil/Green Color 11.03NH
L112	2462587N45	CHIP IND 22 NH 5%
L113	2415016H01	IDCTR,CHIP,5.6NH,5%,1A,,CER,,,,,SM
L114	2462587N45	CHIP IND 22 NH 5%

Circuit Ref	Motorola Part No.	Description
L115	2462587N22	CHIP IND 390 NH 10%
L116	2479990A03	Air Wound Coil/Green Color 9.75NH
L160	2414017H14	IND CHIP 15.0 NH 5%
L201	2462587Q20	IND CHIP 2,200NH 20%
L202	2462587Q20	IND CHIP 2,200NH 20%
L203	2462587Q20	IND CHIP 2,200NH 20%
L232	2462587P25	CHIP IND 12000 NH 5%
L241	2462587V41	IND CHIP 390 NH 10%
L242	2462587V38	CHIP IND 220 NH 5% 0805
L243	2485776Z01	Coil Teflon Resonator (KAP- TON)
L251	2415043H02	Fixed Induc- tor,RF,33NH,5%,,,,,,,S
L253	2460593C02	Coil MULT Layered Tap TEF RESN
L261	2462587V29	CHIP IND 39 NH 5% 0805
L271	2415043H03	Fixed Induc- tor,RF,68NH,5%,,,CER,,,
L273	2415043H02	Fixed Induc- tor,RF,33NH,5%,,,,,,,S
L281	2462587V41	IND CHIP 390 NH 10%
L282	2462587V41	IND CHIP 390 NH 10%
L301	2479990C01	Air Wound Coil/Green Color 13.9NH
L302	2479990C01	Air Wound Coil/Green Color 13.9NH
L303	2462587V26	CHIP IND 22 NH 5% 0805
L304	2462587V37	CHIP IND 180 NH 5% 0805
L305	2462587V26	CHIP IND 22 NH 5% 0805
L306	2479990C01	Air Wound Coil/Green Color 13.9NH
L307	2479990C01	Air Wound Coil/Green Color 13.9NH
L309	2479990C02	Air Wound Coil/Green Color 16.28NH
L310	2462587V36	CHIP IND 150NH 5% 0805
L311	2414017K32	IND CER CHIP 560.0 NH 5%
L321	2462587V37	CHIP IND 180 NH 5% 0805
L325	2462587N68	CHIP IND 1000 NH 5%
L330	0613958J74	CER CHIP RES 0.0 OHM JMP 0805
L331	2415045H01	Fixed Induc- tor,CHIP,680NH,5%,50MA,,
L332	2415042H03	Fixed Induc- tor,RF,1.2UH,2%,,,CER,,,
L400	2462587Q42	IND CHIP 390NH 10%
L401	2462587Q42	IND CHIP 390NH 10%
L410	2462587Q42	IND CHIP 390NH 10%
L411	2462587Q42	IND CHIP 390NH 10%
L505	2462587Q42	IND CHIP 390NH 10%

Circuit Ref	Motorola Part No.	Description
P100	3905643V01	Contact ANT GRD
PB501	4086470Z01	Tact Switch
PB502	4086470Z01	Tact Switch
PB503	4086470Z01	Tact Switch
PB504	4086470Z01	Tact Switch
PB505	4086470Z01	Tact Switch
Q110	4813976A03	TSTR, 450 MHZ, 8W, 7.5V, PLD 1.5
Q111	4815055H01	XSTR,GEN Purpose Small SIG,,NPN AND
Q210	4815055H01	XSTR,GEN Purpose Small SIG,,NPN AND
Q241	4805218N63	RF TRANS SOT 323 BFQ67W
Q260	4815055H01	XSTR,GEN Purpose Small SIG,,NPN AND
Q261	4815055H01	XSTR,GEN Purpose Small SIG,,NPN AND
Q301	4802245J44	NPN Silicon Bipolar Transistor
Q302	4802197J95	RF Transistor PBR941
Q310	4802245J44	NPN Silicon Bipolar Transistor
Q320	4813973M07	TSTR NPN 40V .2A GEN PURP
Q400	4815069H02	TSTR MOSFET P-CHAN
Q403	4813973A13	XSTR,BIP GP SS,,PNP,,TO- 236,SOT-23,
Q405	4815066H01	XSTR,OTHR,,,UMG5NFTR,,, ,,,250MHZ
Q410	4815066H01	XSTR,OTHR,,,UMG5NFTR,,, ,,,250MHZ
Q416	4815069H02	TSTR MOSFET P-CHAN
Q417	4815055H01	XSTR,GEN Purpose Small SIG,,NPN AND
Q502	4815154H01	DUAL TRANS NPN
Q505	4815056H01	XSTR,BIP GP SS,,NPN,MMBT3904LT1G,S O
Q601	4815125H01	SOT STR RH Low Profile MMBT
Q602	4815056H01	XSTR,BIP GP SS,,NPN,MMBT3904LT1G,S O
Q603	4815056H01	XSTR,BIP GP SS,,NPN,MMBT3904LT1G,S O
R101	0613952H58	CER CHIP RES 240 OHM 5% 0603
R102	0680539Z01	Power Metal Strip Resistors
R103	0613952Q40	CER CHIP RES 43.0 OHM 5% 0402

Circuit Ref	Motorola Part No.	Description
R104	0613952R17	CER CHIP RES 47K OHM 5% 0402
R106	0613952Q25	CER CHIP RES 10.0 OHM 5% 0402
R107	NOTPLACED	-
R108	0613952Q91	CER CHIP RES 5600 OHM 5% 0402
R109	0613952R32	CER CHIP RES 200K OHM 5% 0402
R110	0613952Q60	CER CHIP RES 300 OHM 5% 0402
R111	0613952Q32	CER CHIP RES 20.0 OHM 5% 0402
R112	0613952Q60	CER CHIP RES 300 OHM 5% 0402
R120	0613952R16	CER CHIP RES 43K OHM 5% 0402
R130	0613952R01	CER CHIP RES 10K OHM 5% 0402
R131	0613952R07	CER CHIP RES 18K OHM 5% 0402
R132	0613952R35	CER CHIP RES 270K OHM 5% 0402
R133	NOT PLACED	-
R136	NOT PLACED	-
R161	0613952Q56	CER CHIP RES 200 OHM 5% 0402
R170	0613952H58	CER CHIP RES 240 OHM 5% 0603
R171	0613952R16	CER CHIP RES 43K OHM 5% 0402
R172	0613952H56	CER CHIP RES 200 OHM 5% 0603
R173	0613952R31	CER CHIP RES 180K OHM 5% 0402
R174	0613952R17	CER CHIP RES 47K OHM 5% 0402
R175	0613952H12	CER CHIP RES 3.0 OHM 5% 0603
R176	0613952H12	CER CHIP RES 3.0 OHM 5% 0603
R201	0613952R23	CER CHIP RES 82K OHM 5% 0402
R202	0613952R25	CER CHIP RES 100K OHM 5% 0402
R204	0613952R17	CER CHIP RES 47K OHM 5% 0402
R231	0613952Q51	CER CHIP RES 120 OHM 5% 0402
R232	0613952Q68	CER CHIP RES 620 OHM 5% 0402

Circuit Ref	Motorola Part No.	Description
R233	0613952Q67	CER CHIP RES 560 OHM 5% 0402
R241	0613952Q31	CER CHIP RES 18.0 OHM 5% 0402
R242	0613952Q56	CER CHIP RES 200 OHM 5% 0402
R243	0613952R01	CER CHIP RES 10K OHM 5% 0402
R244	0613952R03	CER CHIP RES 12K OHM 5% 0402
R245	0613952Q58	CER CHIP RES 240 OHM 5% 0402
R248	0613952Q36	CER CHIP RES 30.0 OHM 5% 0402
R251	0613952Q31	CER CHIP RES 18.0 OHM 5% 0402
R252	0613952Q61	CER CHIP RES 330 OHM 5% 0402
R253	0613952Q94	CER CHIP RES 7500 OHM 5% 0402
R254	0613952Q94	CER CHIP RES 7500 OHM 5% 0402
R255	0613952Q88	CER CHIP RES 4300 OHM 5% 0402
R256	0613952Q36	CER CHIP RES 30.0 OHM 5% 0402
R260	0613952Q73	CER CHIP RES 1000 OHM 5% 0402
R281	NOT PLACED	-
R301	0613952R25	CER CHIP RES 100K OHM 5% 0402
R302	0613952R25	CER CHIP RES 100K OHM 5% 0402
R303	0613952Q80	CER CHIP RES 2000 OHM 5% 0402
R304	0613952R03	CER CHIP RES 12K OHM 5% 0402
R305	0613952Q66	CER CHIP RES 510 OHM 5% 0402
R306	0613952R25	CER CHIP RES 100K OHM 5% 0402
R307	0613952R25	CER CHIP RES 100K OHM 5% 0402
R308	0613952Q42	CER CHIP RES 51.0 OHM 5% 0402
R309	0613952R66	CER CHIP RES 0.0 +/-0.050 OHM
R310	NOT PLACED	-
R311	0613952R13	CER CHIP RES 33K OHM 5% 0402

Circuit Ref	Motorola Part No.	Description
R312	0613952Q89	CER CHIP RES 4700 OHM 5% 0402
R313	0613952Q61	CER CHIP RES 330 OHM 5% 0402
R314	0613952Q78	CER CHIP RES 1600 OHM 5% 0402
R315	0613952R03	CER CHIP RES 12K OHM 5% 0402
R320	NOT PLACED	-
R321	0613952R15	CER CHIP RES 39K OHM 5% 0402
R322	0613952Q73	CER CHIP RES 1000 OHM 5% 0402
R324	0613952R08	CER CHIP RES 20K OHM 5% 0402
R328	0613952R66	CER CHIP RES 0.0 +/-0.050 OHM
R329	0613952R66	CER CHIP RES 0.0 +/-0.050 OHM
R330	0613952R01	CER CHIP RES 10K OHM 5% 0402
R331	0613952Q56	CER CHIP RES 200 OHM 5% 0402
R332	0613952R03	CER CHIP RES 12K OHM 5% 0402
R333	NOT PLACED	-
R339	0613952Q88	CER CHIP RES 4300 OHM 5% 0402
R340	0613952Q94	CER CHIP RES 7500 OHM 5% 0402
R342	0613952R25	CER CHIP RES 100K OHM 5% 0402
R344	0613952Q42	CER CHIP RES 51.0 OHM 5% 0402
R345	0613952R15	CER CHIP RES 39K OHM 5% 0402
R346	0613952R05	CER CHIP RES 15K OHM 5% 0402
R348	0613952Q86	CER CHIP RES 3600 OHM 5% 0402
R349	0613958J74	CER CHIP RES 0.0 OHM JMP 0805
R350	0613952Q85	CER CHIP RES 3300 OHM 5% 0402
R355	0613952R25	CER CHIP RES 100K OHM 5% 0402
R358	0613952Q82	CER CHIP RES 2400 OHM 5% 0402
R359	NOT PLACED	-
R360	0613952R08	CER CHIP RES 20K OHM 5% 0402

Circuit Ref	Motorola Part No.	Description
R361	0613952R08	CER CHIP RES 20K OHM 5% 0402
R363	0613952Q63	CER CHIP RES 390 OHM 5% 0402
R364	0613952Q79	CER CHIP RES 1800 OHM 5% 0402
R365	0613952Q75	CER CHIP RES 1200 OHM 5% 0402
R366	0613952R03	CER CHIP RES 12K OHM 5% 0402
R367	0613952N09	CER CHIP RES 12.1K OHM 1% 0402
R368	0613952N01	CER CHIP RES 10.0K OHM 1% 0402
R369	0613952Q69	CER CHIP RES 680 OHM 5% 0402
R370	0613952R66	CER CHIP RES 0.0 +/-0.050 OHM
R371	NOT PLACED	-
R372	NOT PLACED	-
R373	NOT PLACED	-
R374	NOT PLACED	-
R375	NOT PLACED	-
R376	NOT PLACED	-
R377	NOT PLACED	-
R378	NOT PLACED	-
R400	0613952R17	CER CHIP RES 47K OHM 5% 0402
R401	0613952R66	CER CHIP RES 0.0 +/-0.050 OHM
R402	NOT PLACED	-
R403	NOT PLACED	-
R405	0613952R66	CER CHIP RES 0.0 +/-0.050 OHM
R406	0613952R22	CER CHIP RES 75K OHM 5% 0402
R407	0613952R21	CER CHIP RES 68K OHM 5% 0402
R408	NOT PLACED	-
R409	0613952R01	CER CHIP RES 10K OHM 5% 0402
R410	0613952R25	CER CHIP RES 100K OHM 5% 0402
R411	0613952R01	CER CHIP RES 10K OHM 5% 0402
R413	0613952R66	CER CHIP RES 0.0 +/-0.050 OHM
R414	0613952P25	CER CHIP RES 178K OHM 1% 0402
R415	0613952N93	CER CHIP RES 90.9K OHM 1% 0402

Circuit Ref	Motorola Part No.	Description
R416	0613952R01	CER CHIP RES 10K OHM 5% 0402
R418	0613952R66	CER CHIP RES 0.0 +/-0.050 OHM
R419	0613952Q66	CER CHIP RES 510 OHM 5% 0402
R420	0613952J73	CER CHIP RES 10.0M OHM 5% 0603
R421	0613952Q80	CER CHIP RES 2000 OHM 5% 0402
R423	0613952R41	CER CHIP RES 470K OHM 5% 0402
R424	0613952R14	CER CHIP RES 36K OHM 5% 0402
R425	0613952R12	CER CHIP RES 30K OHM 5% 0402
R426	0613952R37	CER CHIP RES 330K OHM 5% 0402
R427	0613952Q83	CER CHIP RES 2700 OHM 5% 0402
R428	0613952Q09	CER CHIP RES 2.2 OHM 5% 0402
R429	0613952R22	CER CHIP RES 75K OHM 5% 0402
R431	0613952R41	CER CHIP RES 470K OHM 5% 0402
R432	0613952R18	CER CHIP RES 51K OHM 5% 0402
R434	0613952Q61	CER CHIP RES 330 OHM 5% 0402
R435	0613952Q80	CER CHIP RES 2000 OHM 5% 0402
R436	0613952R66	CER CHIP RES 0.0 +/-0.050 OHM
R437	NOT PLACED	-
R445	0613952R10	CER CHIP RES 24K OHM 5% 0402
R447	0613952R25	CER CHIP RES 100K OHM 5% 0402
R448	0613952R01	CER CHIP RES 10K OHM 5% 0402
R449	0613952R10	CER CHIP RES 24K OHM 5% 0402
R450	0613959Y45	CER CHIP RES 68.0 OHM 5% 2512
R451	0613952R05	CER CHIP RES 15K OHM 5% 0402
R452	0613952R25	CER CHIP RES 100K OHM 5% 0402
R453	NOT PLACED	-
R454	NOT PLACED	-

Circuit Ref	Motorola Part No.	Description
R455	NOTPLACED	-
R456	0613952R66	CER CHIP RES 0.0 +/-0.050 OHM
R457	0613952R01	CER CHIP RES 10K OHM 5% 0402
R460	0613952Q89	CER CHIP RES 4700 OHM 5% 0402
R461	0613952Q55	CER CHIP RES 180 OHM 5% 0402
R462	0613952R01	CER CHIP RES 10K OHM 5% 0402
R463	0613952Q60	CER CHIP RES 300 OHM 5% 0402
R471	0613952R08	CER CHIP RES 20K OHM 5% 0402
R472	0613952R14	CER CHIP RES 36K OHM 5% 0402
R473	0613952Q25	CER CHIP RES 10.0 OHM 5% 0402
R475	0613952R66	CER CHIP RES 0.0 +/-0.050 OHM
R476	0613952R37	CER CHIP RES 330K OHM 5% 0402
R477	0613952Q73	CER CHIP RES 1000 OHM 5% 0402
R478	0613952R01	CER CHIP RES 10K OHM 5% 0402
R479	0613952R66	CER CHIP RES 0.0 +/-0.050 OHM
R481	0613952R10	CER CHIP RES 24K OHM 5% 0402
R492	0613952R66	CER CHIP RES 0.0 +/-0.050 OHM
R498	0613952R01	CER CHIP RES 10K OHM 5% 0402
R499	0613952R01	CER CHIP RES 10K OHM 5% 0402
R501	0613952Q69	CER CHIP RES 680 OHM 5% 0402
R502	0613952Q55	CER CHIP RES 180 OHM 5% 0402
R505	0613952R01	CER CHIP RES 10K OHM 5% 0402
R506	0613952R17	CER CHIP RES 47K OHM 5% 0402
R507	0613952R66	CER CHIP RES 0.0 +/-0.050 OHM
R601	0613952Z67	RES,MF,51KOHM,1%,.0625 W,SM,0402,200
R602	0613952Z67	RES,MF,51KOHM,1%,.0625 W,SM,0402,200

Circuit Ref	Motorola Part No.	Description
R603	0613952N12	CER CHIP RES 13.0K OHM 1% 0402
R604	0613952Z58	RES,MF,22KOHM,1%,.0625 W,SM,0402,200
R605	0613952N62	CER CHIP RES 43.2K OHM 1% 0402
R606	0613952P12	CER CHIP RES 130K OHM 1% 0402
R607	0613952N12	CER CHIP RES 13.0K OHM 1% 0402
R608	0613952Z58	RES,MF,22KOHM,1%,.0625 W,SM,0402,200
R609	0613952N62	CER CHIP RES 43.2K OHM 1% 0402
R610	0613952P12	CER CHIP RES 130K OHM 1% 0402
R611	0613952R18	CER CHIP RES 51K OHM 5% 0402
R612	0613952R43	CER CHIP RES 560K OHM 5% 0402
R613	0613952R49	CER CHIP RES 1.0M OHM 5% 0402
R614	0613952R66	CER CHIP RES 0.0 +/-0.050 OHM
R617	0613952R66	CER CHIP RES 0.0 +/-0.050 OHM
R618	0613952Q73	CER CHIP RES 1000 OHM 5% 0402
R619	0613952Q73	CER CHIP RES 1000 OHM 5% 0402
R620	0613952Q73	CER CHIP RES 1000 OHM 5% 0402
R621	0613952Q73	CER CHIP RES 1000 OHM 5% 0402
R622	0613952Q73	CER CHIP RES 1000 OHM 5% 0402
R623	0613952Q73	CER CHIP RES 1000 OHM 5% 0402
R626	0613952R66	CER CHIP RES 0.0 +/-0.050 OHM
R627	0613952R66	CER CHIP RES 0.0 +/-0.050 OHM
R631	0613952R66	CER CHIP RES 0.0 +/-0.050 OHM
R632	0613952R25	CER CHIP RES 100K OHM 5% 0402
R633	0613952R25	CER CHIP RES 100K OHM 5% 0402
R646	0613952R25	CER CHIP RES 100K OHM 5% 0402

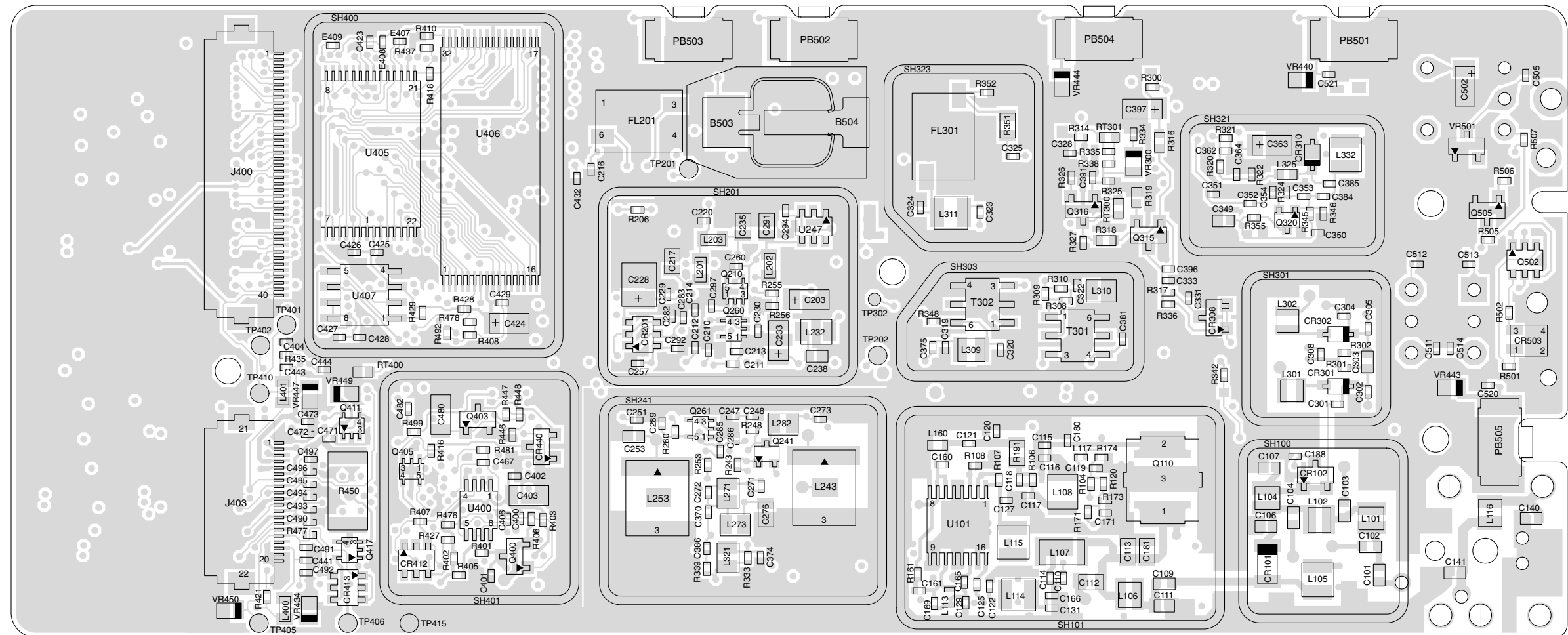
Circuit Ref	Motorola Part No.	Description
R647	0613952Q84	CER CHIP RES 3000 OHM 5% 0402
R648	0613952R25	CER CHIP RES 100K OHM 5% 0402
R649	0613952R17	CER CHIP RES 47K OHM 5% 0402
RT400	0680590Z01	THERMISTOR_33K
S501	4080710Z21	Switch, Frequency
S502	1880619Z04	VOL POTENTIOMETER with hi temp cam
SH100	2680507Z02	Shield, Harmonic Filter
SH101	2680510Z02	Shield, PA
SH201	2680511Z02	Shield, Synthesizer
SH202	2680511Z02	Shield, Synthesizer
SH241	2604120G02	AOBA VCO Shield
SH242	2680514Z02	Shield, VCO Bottom/LVZIF
SH301	2686583Z01	Shield,RFI/EMI,,12.51MMLG,12MMW,2.9
SH302	2680555Z02	Shield, Receiver F/End Bottom
SH303	2680509Z01	Shield, Mixer
SH304	2680624Z02	Shield, Mixer Diode
SH322	2686528Z01	Shield,RFI/EMI,CRS,TIN
SH323	2686527Z02	Shield, RFI/EMI, CRS, TIN
SH400	2680505Z02	Shield, Controller Top Left
SH401	2680506Z02	Shield, Controller Top Right
SH402	2680515Z02	Shield, Controller Bottom Left
SH403	2680516Z02	Shield, Controller BTM Right
T301	2515121H01	Balun, Transformer
T302	2515121H01	Balun, Transformer
U101	5115678H01	VHF/UHF/800/900 MHZ LD MOS DRIVER IC
U102	5185765B26	IC PWR CTRL IN MOS20
U201	5115060H01	IC,FREQ SYN,,AT24701-OT4X
U210	5115266H01	Inverter TC7ST04FU SS0P5-P-A
U211	5115266H01	Inverter TC7ST04FU SS0P5-P-A
U241	5105750U56	IC PKG DIE VCO Buffer
U247	5115026H01	IC,LOW Dropout,,SM,SOT-23/6,,,,,P
U248	5115019H01	IC,LOW Dropout,,SOT-23,SOT-23
U301	5115281H01	FM IF IC SA616 FROM PHILIPS
U302	5115070H01	IC,INVTR,,TC7W04FU,,SSOP
U303	NOTPLACED	-
U400	5115012H01	IC,ADJ LOW DROP-OUT,,SM,,,,,,POS P
U404	5115062H01	IC,CUST,,,TQFP48

Circuit Ref	Motorola Part No.	Description
U405	NOTPLACED	-
U406	5115250H02	Need CGISS Description In ICSS
U407	5115033H01	IC,EEPROM,,16K X 8,,SM
U409	5185143E03	IC,MICROP,,QFP,QFP100,,3.7MHZ
U410	5102463J57	Regulator 3.3V, ILC7062CM-33
U420	5115280H01	Audio Amplifier TDA8547TS
U602	5115014H01	IC,COMPTR,,SM,SOT-23/5
VR432	4815057H01	Diode Array,ZEN,MMQA5V6T1,SM,,3A,5.
VR433	4815057H01	Diode Array,ZEN,MMQA5V6T1,SM,,3A,5.
VR434	4815038H01	Diode Array,ZEN,,SM,SOD-323,,6.93V,
VR439	4815068H01	Diode Array,ZEN,MMBZ5242BLT1G,SM,,
VR440	4815038H01	Diode Array,ZEN,,SM,SOD-323,,6.93V,
VR441	4815038H01	Diode Array,ZEN,,SM,SOD-323,,6.93V,
VR442	4815038H01	Diode Array,ZEN,,SM,SOD-323,,6.93V,
VR443	4815038H01	Diode Array,ZEN,,SM,SOD-323,,6.93V,
VR444	4815038H01	Diode Array,ZEN,,SM,SOD-323,,6.93V,
VR445	4815039H01	Diode Array,ZEN,MM3Z10VT1G,SM,,10V
VR446	4815039H01	Diode Array,ZEN,MM3Z10VT1G,SM,,10V
VR447	4815039H01	Diode Array,ZEN,MM3Z10VT1G,SM,,10V
VR448	4815039H01	Diode Array,ZEN,MM3Z10VT1G,SM,,10V
VR449	4815039H01	Diode Array,ZEN,MM3Z10VT1G,SM,,10V
VR450	4815040H01	Diode Array ,ZEN,MM3Z12VT1G,SM,,12
VR460	4815038H01	Diode Array,ZEN,,SM,SOD-323,,6.93V,

Circuit Ref	Motorola Part No.	Description
VR501	4813977M14	Diode,ZEN,,SOT-23,6.8V,,,225W,,PB
VR506	4815038H01	Diode Array,ZEN,,SM,SOD-323,,6.93V,
Y300	4802245J84	XTAL 44.395MHz, 3RD OT, SMD
Y301	9186145B02	CER.DISCR. CDBCA455CX36-TC
	8415234H01	UHF B1 PC Board

9.12 UHF Band 1 Circuit Board/Schematic Diagrams and Parts List

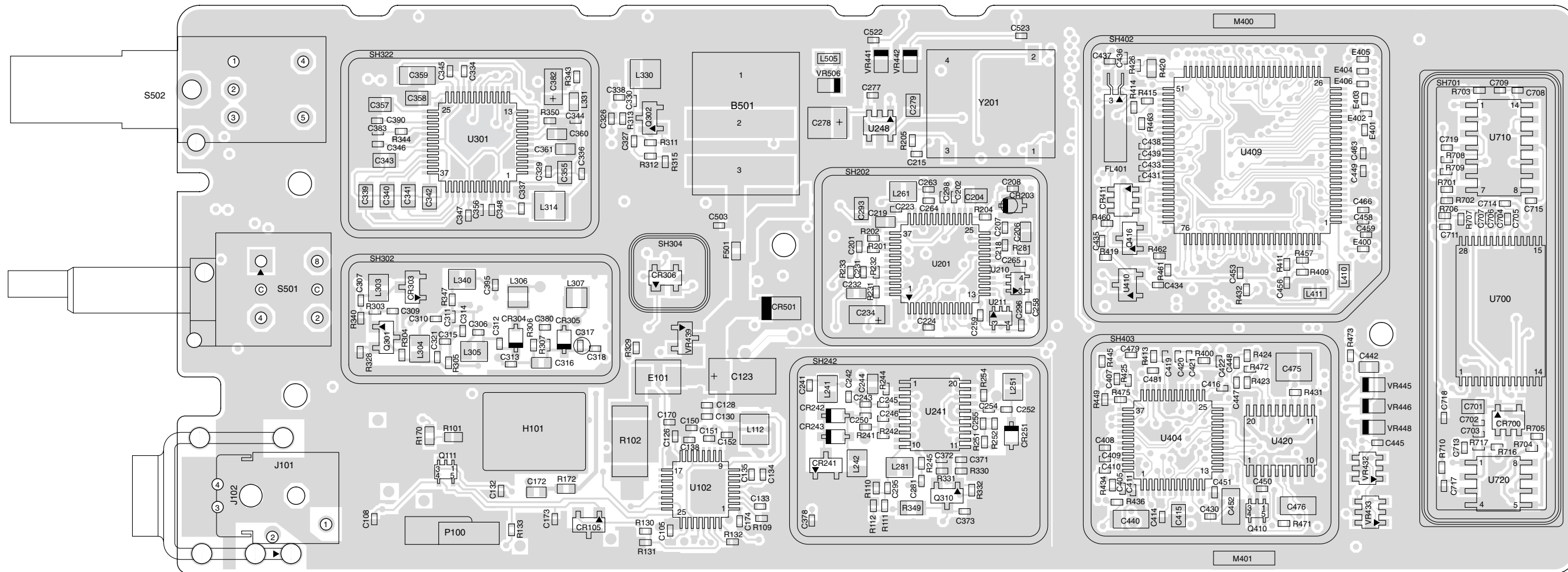
VIEWED FROM SIDE 1



ZMY0130258-O

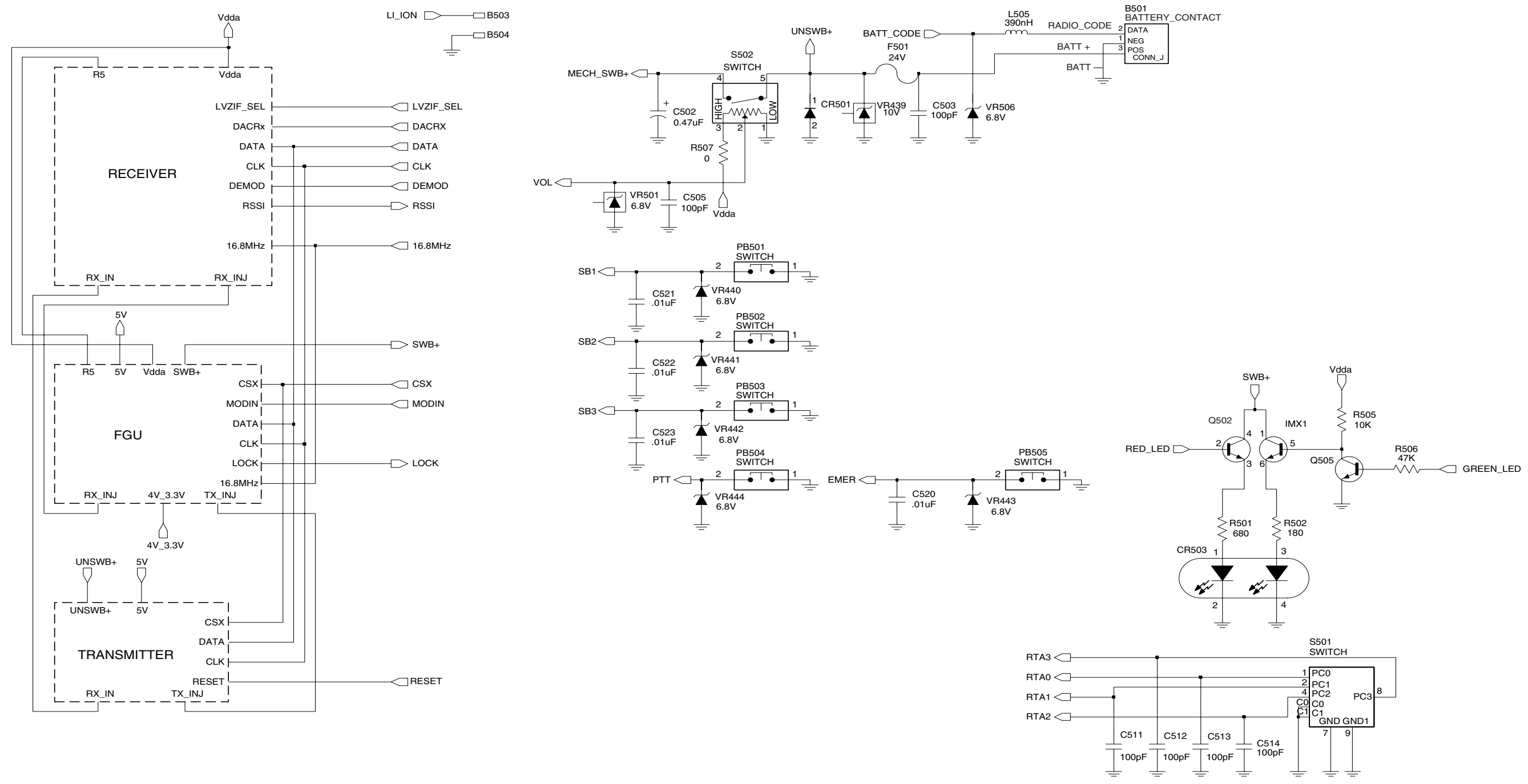
Figure 9-90. UHF (403-470 MHz) 9000 Series Main Board Top Side PCB

VIEWED FROM SIDE 2



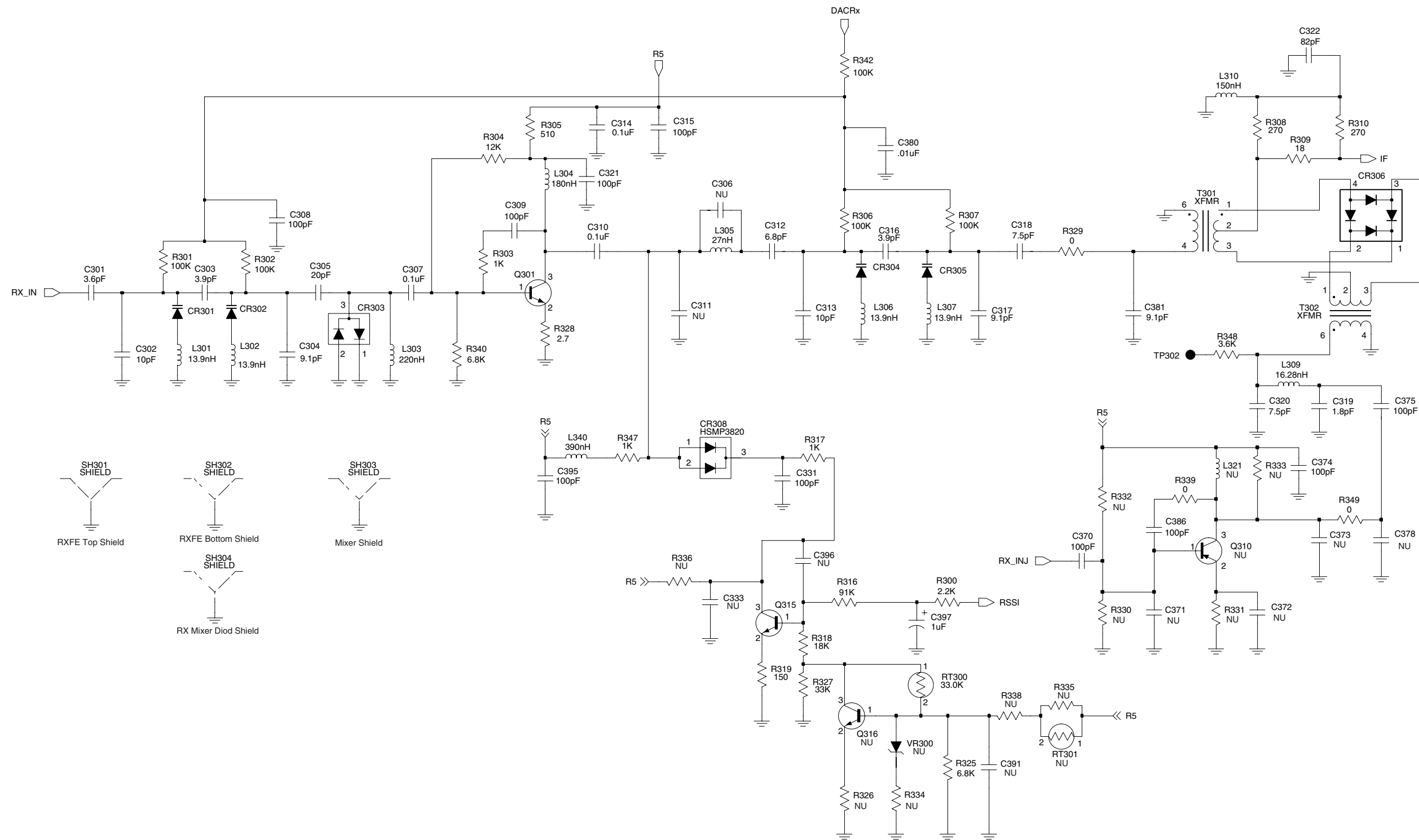
ZMY0130259-O

Figure 9-91. UHF (403-470 MHz) 9000 Series Main Board Bottom Side PCB



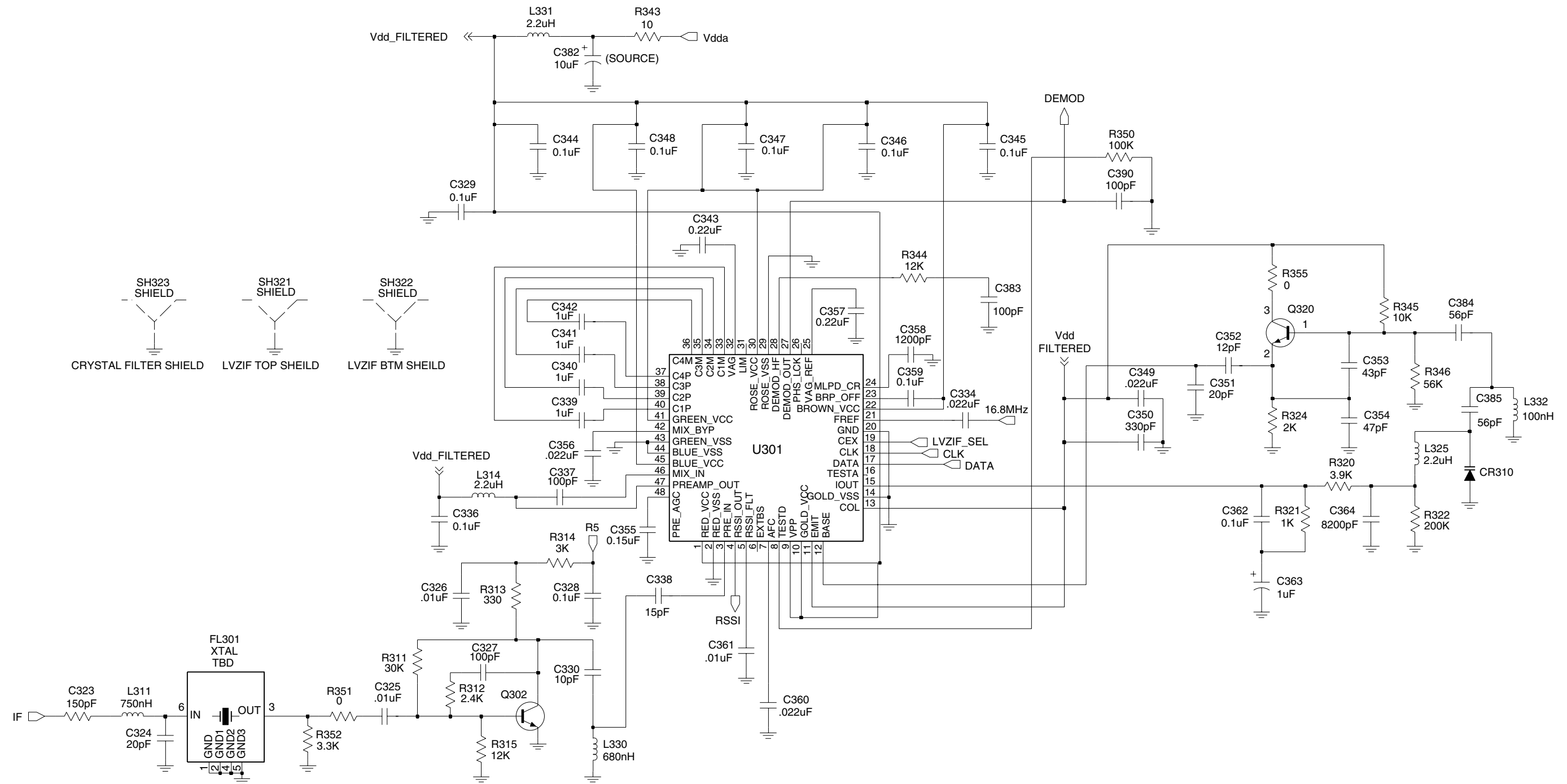
FL08307410

Figure 9-92. UHF (403-470 MHz) Controls and Switches Schematic Diagram



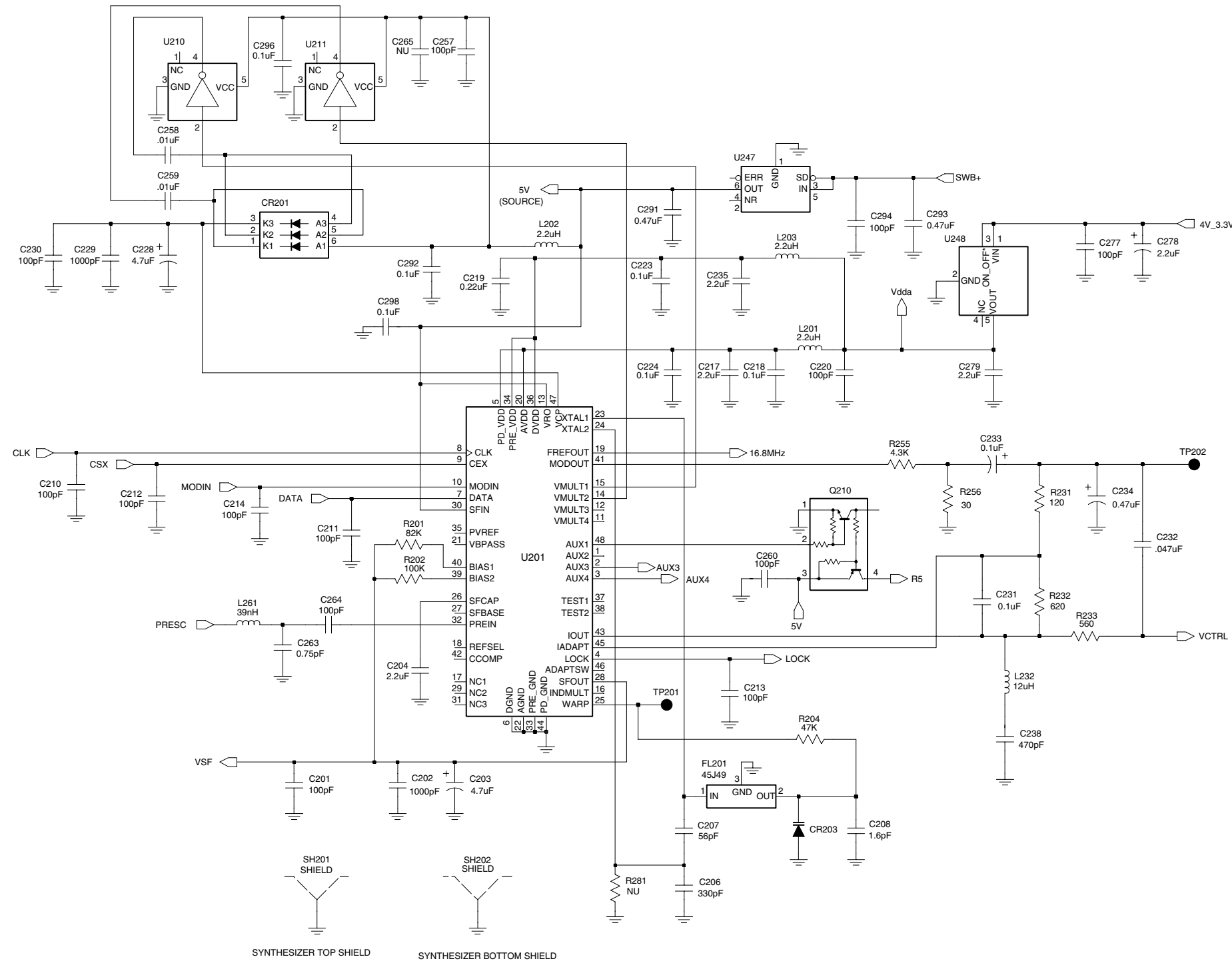
FL08307420

Figure 9-93. UHF (403-470 MHz) Receiver Front End Schematic Diagram



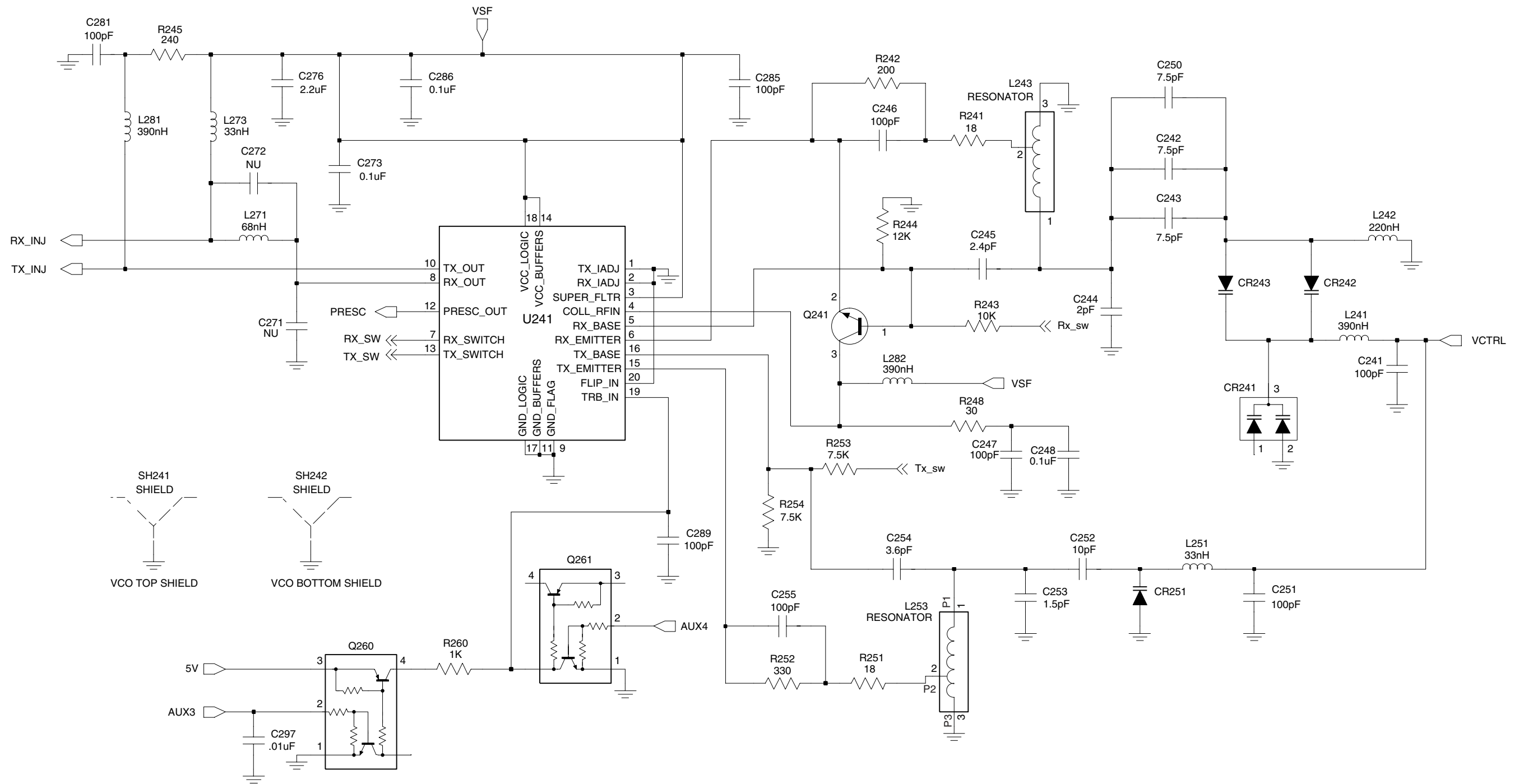
FL08307430

Figure 9-94. UHF (403-470 MHz) Receiver Back End Schematic Diagram



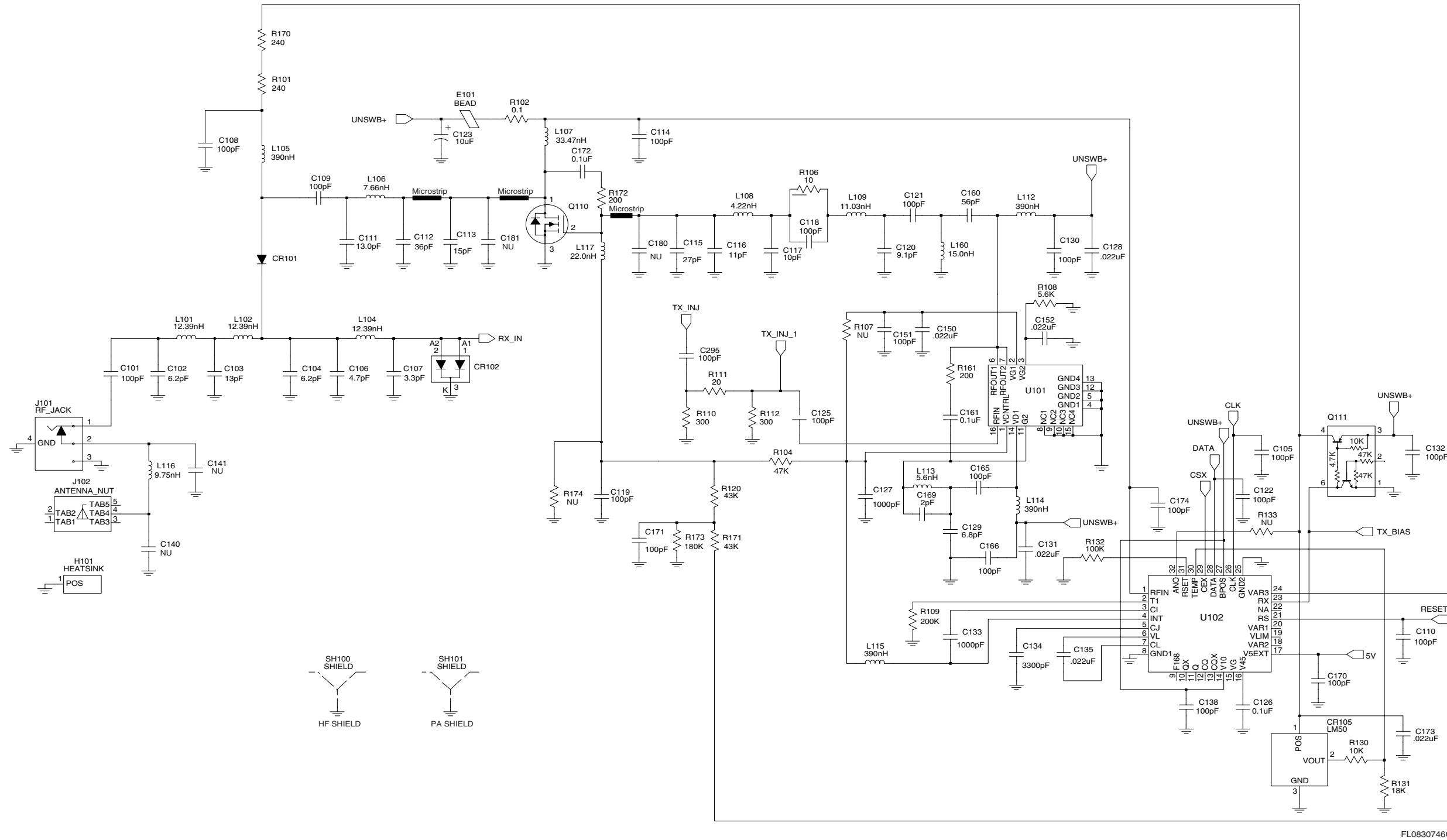
FL08307440

Figure 9-95. UHF (403-470 MHz) Synthesizer Schematic Diagram



FL08307450

Figure 9-96. UHF (403-470 MHz) Voltage Controlled Oscillator Schematic Diagram



FL08307460

Figure 9-97. UHF (403-470 MHz) Transmitter Schematic Diagram

UHF (403-470 MHz) 9000 Series Radio Parts List

Circuit Ref	Motorola Part No.	Description
B501	0986237A02	Battery Contact Module
B503	3980502Z01	Backup battery B+
B504	3980501Z01	Backup battery B-
C101	2113740F51	100pF
C102	2113740F22	6.2pF, 0.1
C103	2113740F27	10pF
C104	2113740F22	6.2pF, 0.1
C105	2113743N50	100pF
C106	2113740F19	4.7pF, 0.1
C107	2113740F15	3.3pF, 0.1
C108	2113743N50	100pF
C109	2113740F51	100pF
C110	2113743N50	100pF
C111	2113740F30	13pF
C112	2180605Z32	47pF
C113	2180605Z16	10pF
C114	2113743N50	100pF
C115	2113743N30	15pF
C116	2113743N38	33pF
C117	2113743N37	30pF
C118	2113743N50	100pF
C119	2113743N50	100pF
C120	2113743N26	10pF
C121	2113743N50	100pF
C122	2113743N50	100pF
C123	2311049A18	10uF, 10%; 16V
C125	2113743N50	100pF
C126	2113743M24	0.1uF, +80%/-20%
C127	2113743L17	1000pF, 10%
C128	2113743M08	.022uF, +80%/-20%
C129	2113743N23	7.5pF, 0.5
C130	2113743N50	100pF
C131	2113743M08	.022uF, +80%/-20%
C132	2113743N50	100pF
C133	2113743L17	1000pF, 10%
C134	2113743L29	3300pF, 10%
C135	2113743M08	.022uF, +80%/-20%
C138	2113743N50	100pF
C140	Not Placed	
C141	Not Placed	
C150	2113743M08	.022uF, +80%/-20%
C151	2113743N50	100pF
C152	2113743M08	.022uF, +80%/-20%
C160	2113743N50	100pF
C161	2113743M24	0.1uF, +80%/-20%
C165	2113743N50	100pF
C166	2113743N50	100pF
C169	2113743N16	3.9pF, 0.25
C170	2113743N50	100pF
C171	2113743N50	100pF
C172	2113743E20	0.1uF, 10%
C173	2113743M08	.022uF, +80%/-20%

Circuit Ref	Motorola Part No.	Description
C174	2113743N50	100pF
C201	2113743N50	100pF
C202	2113743L17	1000pF, 10%
C203	2311049A56	4.7uF, 20%; 10V
C204	2104993J02	2.2uF
C206	2113740F63	330pF
C207	2113743N44	56pF
C208	2113743N08	1.6pF
C210	2113743N50	100pF
C211	2113743N50	100pF
C212	2113743N50	100pF
C213	2113743N50	100pF
C214	2113743N50	100pF
C217	2104993J02	2.2uF
C218	2113743M24	0.1uF, +80%/-20%
C219	2113743K16	0.22uF, +80%/-20%
C220	2113743N50	100pF
C223	2113743M24	0.1uF, +80%/-20%
C224	2113743M24	0.1uF, +80%/-20%
C228	2311049J11	4.7uF, 10%; 16V
C229	2113743L17	1000pF, 10%
C230	2113743N50	100pF
C231	2113743M24	0.1uF, +80%/-20%
C232	2113743E12	.047uF, 10%
C233	2311049A01	0.1uF, 10%; 35V
C234	2311049A05	0.47uF, 10%; 25V
C235	2104993J02	2.2uF
C238	2113741F17	470pF
C241	2113743N50	100pF
C242	2113743N23	7.5pF, 0.5
C243	2113743N23	7.5pF, 0.5
C244	2113740F10	2pF, 0.25
C245	2113743N11	2.4pF, 0.25
C246	2113743N50	100pF
C247	2113743N50	100pF
C248	2113743M24	0.1uF, +80%/-20%
C250	2113743N23	7.5pF, 0.5
C251	2113743N50	100pF
C252	2113743N26	10pF
C253	2113740F07	1.5pF, 0.25
C254	2113743N15	3.6pF, 0.25
C255	2113743N50	100pF
C257	2113743N50	100pF
C258	2113743L41	.01uF, 10%
C259	2113743L41	.01uF, 10%
C260	2113743N50	100pF
C263	2113743N02	0.75pF, 0.25
C264	2113743N50	100pF
C265	Not Placed	
C271	Not Placed	
C272	Not Placed	
C273	2113743M24	0.1uF, +80%/-20%
C276	2104993J02	2.2uF
C277	2113743N50	100pF
C278	2311049A09	2.2uF, 10%; 20V

Circuit Ref	Motorola Part No.	Description
C279	2104993J02	2.2uF
C281	2113743N50	100pF
C285	2113743N50	100pF
C286	2113743M24	0.1uF, +80%/-20%
C289	2113743N50	100pF
C291	2113743A27	0.47uF, 10%
C292	2113743M24	0.1uF, +80%/-20%
C293	2113743A27	0.47uF, 10%
C294	2113743N50	100pF
C295	2113743N50	100pF
C296	2113743M24	0.1uF, +80%/-20%
C297	2113743L41	.01uF, 10%
C298	2113743M24	0.1uF, +80%/-20%
C301	2113743N15	3.6pF, 0.25
C302	2113743N26	10pF
C303	2113740L08	3.9pF, 0.1
C304	2113743N25	9.1pF, 0.5
C305	2113743N33	20pF
C306	Not Placed	
C307	2113743M24	0.1uF, +80%/-20%
C308	2113743N50	100pF
C309	2113743N50	100pF
C310	2113743M24	0.1uF, +80%/-20%
C311	Not Placed	
C312	2113743N22	6.8pF, 0.5
C313	2113743N26	10pF
C314	2113743M24	0.1uF, +80%/-20%
C315	2113743N50	100pF
C316	2113740L08	3.9pF, 0.1
C317	2113743N25	9.1pF, 0.5
C318	2113743N23	7.5pF, 0.5
C319	2113743N69	1.8pF, 0.5
C320	2113743N23	7.5pF, 0.5
C321	2113743N50	100pF
C322	2113743N48	82pF
C323	2113743N54	150pF
C324	2113743N33	20pF
C325	2113743L41	.01uF, 10%
C326	2113743L41	.01uF, 10%
C327	2113743N50	100pF
C328	2113743M24	0.1uF, +80%/-20%
C329	2113743M24	0.1uF, +80%/-20%
C330	2113743N26	10pF
C331	2113743N50	100pF
C333	Not Placed	
C334	2113743M08	.022uF, +80%/-20%
C336	2113743M24	0.1uF, +80%/-20%
C337	2113743N50	100pF
C338	2113743N30	15pF
C339	2180478Z20	1.0uF, 10%
C340	2180478Z20	1.0uF, 10%
C341	2180478Z20	1.0uF, 10%
C342	2180478Z20	1.0uF, 10%
C343	2113743A23	0.22uF, 10%
C344	2113743M24	0.1uF, +80%/-20%

Circuit Ref	Motorola Part No.	Description
C345	2113743M24	0.1uF, +80%/-20%
C346	2113743M24	0.1uF, +80%/-20%
C347	2113743M24	0.1uF, +80%/-20%
C348	2113743M24	0.1uF, +80%/-20%
C349	2113743E07	.022uF, 10%
C350	2113743L05	330pF, 10%
C351	2113743N33	20pF
C352	2113743N28	12pF
C353	2113743N41	43pF
C354	2113743N42	47pF
C355	2113743A21	0.15uF, 10%
C356	2113743M08	.022uF, +80%/-20%
C357	2113743A23	0.22uF, 10%
C358	2113741A23	1200pF
C359	2109720D14	0.1uF
C360	2113743E07	.022uF, 10%
C361	2113741F49	0.1uF, 10%
C362	2113928N01	0.5pF, 0.25
C363	2311049A07	1uF, 10%; 16V
C364	2113743L39	8200 pF
C370	2113743N50	100pF
C371	Not Placed	
C372	Not Placed	
C373	Not Placed	
C374	2113743N50	100pF
C375	2113743N50	100pF
C378	Not Placed	
C380	2113743L41	.01uF, 10%
C381	2113743N25	9.1pF, 0.5
C382	2311049A59	10uF, 10%; 6V
C383	2113743N50	100pF
C384	2113743N44	56pF
C385	2113743N44	56pF
C386	2113743N50	100pF
C390	2113743N50	100pF
C391	Not Placed	
C395	2113743N50	100pF
C396	Not Placed	
C397	2311049A07	1uF, 10%; 16V
C400	2113743L41	.01uF, 10%
C401	2113743M24	0.1uF, +80%/-20%
C402	2113743M24	0.1uF, +80%/-20%
C403	2113928D08	10uF, +80%/-20%
C407	2113928N01	0.1uF, 10%
C408	2113743N50	100pF
C409	2113743M24	0.1uF, +80%/-20%
C410	2113928N01	0.1uF, 10%
C411	2113743M24	0.1uF, +80%/-20%
C414	2113743M24	0.1uF, +80%/-20%
C415	2109720D01	.01uF, 10%
C416	2113928N01	0.1uF, 10%
C419	Not Placed	
C420	2113743L41	.01uF, 10%
C421	2113928N01	0.1uF, 10%
C422	2113743M24	0.1uF, +80%/-20%

Circuit Ref	Motorola Part No.	Description
C423	2113743N50	100pF
C424	2311049A59	10uF, 10%; 6V
C425	2113743M24	0.1uF, +80%/-20%
C426	2113743N50	100pF
C427	2113743N50	100pF
C428	2113743M24	0.1uF, +80%/-20%
C429	2113743M24	0.1uF, +80%/-20%
C430	2113928N01	0.1uF, 10%
	0662057M01	0 (SUB on LS+ Models Only)
C431	2113743N50	100pF
C432	Not Placed	
C433	2113743L41	.01uF, 10%
C434	2113743M24	0.1uF, +80%/-20%
C435	2113743M24	0.1uF, +80%/-20%
C436	2113743N34	22pF
C437	2113743N34	22pF
C440	2113743G26	4.7uF, +80%/-20%
C441	2113743N50	100pF
C442	2113743E20	0.1uF, 10%
C443	2113928N01	0.1uF, 10%
C444	2113743N50	100pF
C445	2113743N50	100pF
C447	2113928N01	0.1uF, 10%
C448	2113928N01	0.1uF, 10%
C449	2113743N50	100pF
C450	2113743M24	0.1uF, +80%/-20%
C451	2113743M08	.022uF, +80%/-20%
C452	2113743G26	4.7uF, +80%/-20%
C453	2113743N50	100pF
C456	2113743N50	100pF
C458	2113743N50	100pF
C459	2113743N50	100pF
C463	2113743N50	100pF
C466	2113743N50	100pF
C467	2113928N01	0.1uF, 10%
C471	2113743N50	100pF
C472	2113743N50	100pF
C473	2113743N50	100pF
C475	2113743H14	10uF, +80%/-20%
C476	2113928D08	10uF, +80%/-20%
C479	2113928N01	0.1uF, 10%
C480	2113928D08	10uF, +80%/-20%
C481	2113928N01	0.1uF, 10%
C482	2113928N01	0.1uF, 10%
	0662057M01	0 (SUB on LS+ Models Only)
C490	2113743N50	100pF
C491	2113743N50	100pF
C492	2113743N50	100pF
C493	2113743N50	100pF
C494	2113743N50	100pF
C495	2113743N50	100pF
C496	2113743N50	100pF
C497	2113743N50	100pF
C502	2311049A05	0.47uF, 10%; 25V
C503	2113743N50	100pF

Circuit Ref	Motorola Part No.	Description
C505	2113743N50	100pF
C511	2113743N50	100pF
C512	2113743N50	100pF
C513	2113743N50	100pF
C514	2113743N50	100pF
C520	2113743L41	.01uF, 10%
C521	2113743L41	.01uF, 10%
C522	2113743L41	.01uF, 10%
C523	2113743L41	.01uF, 10%
CR101	4880973Z02	Pin Diode
CR102	4802245J41	Pin Diode
CR105	5185963A15	Temperature Sense
CR201	4802233J09	Triple Diode
CR203	4862824C03	Varactor
CR241	4805649Q13	Dual Varactor
CR242	4862824C01	Varactor
CR243	4862824C01	Varactor
CR251	4802245J22	Varactor
CR301	4862824C01	Varactor
CR302	4862824C01	Varactor
CR303	4880154K03	Dual Common Anode-Cathode
CR304	4862824C01	Varactor
CR305	4862824C01	Varactor
CR306	4802245J42	Ring Quad Diode
CR308	4802245J41	Pin Diode
CR310	4862824C01	Varactor
CR411	4802245J47	Schottky Diode
CR412	4802245J47	Schottky Diode
CR413	4802245J47	Schottky Diode
CR440	4813833C02	Dual Diode Common Cathode
CR501	4880107R01	Rectifier
CR503	4805729G49	LED Red/Yellow
E101	2484657R01	Ferrite Bead
E400	2480640Z01	Ferrite Bead
E401	2480640Z01	Ferrite Bead
E402	2480640Z01	Ferrite Bead
E403	2480640Z01	Ferrite Bead
E404	2480640Z01	Ferrite Bead
E405	2480640Z01	Ferrite Bead
E406	2480640Z01	Ferrite Bead
E407	2480640Z01	Ferrite Bead
E408	2480640Z01	Ferrite Bead
E409	2480640Z01	Ferrite Bead
F501	6580542Z01	Fuse 3A
FL201	4802245J49	16.8 MHz Xtal Clip (not field serviceable)
FL301	4802245J43	Xtal Filter 45.1 MHz
FL401	4870368G02	Osc Xtal 38.4 kHz
H101	2680499Z01	Heat Spreader
J101	0180117S05	RF Jack Assembly
J102	0280519Z02	Antenna Nut
J400	0905505Y04	40-pins Connector
J403	0905505Y02	20-pins Connector
L101	2460591B80	19.61nH, 10%
L102	2460591B80	19.61nH, 10%

Circuit Ref	Motorola Part No.	Description
L104	2460591B80	19.61nH, 10%
L105	2462587N22	390nH, 10%
L106	2460591A11	7.66nH, 10%
L107	2460591G24	33.47nH, 10%
L108	2460591A01	4.22nH, 10%
L109	2460591B04	11.03nH, 10%
L112	2462587N22	390nH, 10%
L113	2413926H09	5.6nH, 5%
L114	2462587N22	390nH, 10%
L115	2462587N22	390nH, 10%
L116	2460591A50	9.75nH, 10%
L160	2413926H14	15.0nH, 5%
L201	2462587Q20	2.2uH, 20%
L202	2462587Q20	2.2uH, 20%
L203	2462587Q20	2.2uH, 20%
L232	2462587P25	12uH, 5%
L241	2462587V41	390nH, 10%
L242	2462587V38	220nH, 5%
L243	2460593C01	Teflon Resonator
L251	2462587V28	33nH, 5%
L253	2460593C02	Teflon Resonator
L261	2462587V29	39nH, 5%
L271	2462587V32	68nH, 5%
L273	2462587V28	33nH, 5%
L281	2462587V41	390nH, 10%
L282	2462587V41	390nH, 10%
L301	2460591C04	13.9nH, 10%
L302	2460591C04	13.9nH, 10%
L303	2462587V38	220nH, 5%
L304	2462587V37	180nH, 5%
L305	2462587V27	27nH, 5%
L306	2460591C04	13.9nH, 10%
L307	2460591C04	13.9nH, 10%
L309	2460591C16	16.28nH, 10%
L310	2462587V36	150nH, 5%
L311	2462587N65	750nH, 5%
L314	2462587N72	2.2uH, 5%
L321	Not Placed	
L325	2480646Z20	2.2uH
L330	2462587N64	680nH, 5%
L331	2480646Z20	2.2uH
L332	2462587N53	100nH, 5%
L340	2462587V41	390nH, 10%
L400	2462587Q42	390nH, 10%
L401	2462587Q42	390nH, 10%
L410	2462587Q42	390nH, 10%
L411	2462587Q42	390nH, 10%
L505	2462587Q42	390nH, 10%
P100	3905643V01	Gnd Contact Finger
PB501	4080523Z01	Tactile, Pushbutton
PB502	4080523Z01	Tactile, Pushbutton
PB503	4080523Z01	Tactile, Pushbutton
PB504	4080523Z01	Tactile, Pushbutton
PB505	4080523Z01	Tactile, Pushbutton
Q110	4802245J55	RF Power FET

Circuit Ref	Motorola Part No.	Description
Q111	4802245J50	Dual NPN/PNP
Q210	4802245J50	Dual NPN/PNP
Q241	4805218N63	NPN
Q260	4802245J50	Dual NPN/PNP
Q261	4802245J50	Dual NPN/PNP
Q301	4802245J44	NPN
Q302	4802245J44	NPN
Q310	Not Placed	
Q315	4880214G02	NPN
Q316	Not Placed	
Q320	4805218N63	NPN
Q400	4809579E18	MOSFET P-Chan
Q403	4880214G02	NPN
Q405	4802245J54	Dual NPN
Q410	4802245J54	Dual NPN
Q416	4809579E18	MOSFET P-Chan
Q417	4802245J50	Dual NPN/PNP
Q502	5180159R01	Dual NPN
Q505	4880214G02	NPN
R101	0662057A34	240
R102	0680539Z01	0.1, 1%
R103	0662057M41	43
R104	0662057M81	2K
R106	0662057M26	10
R107	Not Placed	
R108	Not Placed	
R109	0662057N30	200K
R110	0662057M61	300
R111	0662057M33	20
R112	0662057M61	300
R120	0662057M01	0
R130	0662057M98	10K
R131	0662057M98	10K
R132	0662057N39	470K
R133	Not Placed	
R161	0662057M57	200
R170	0662057A34	240
R171	0662057M92	5.6K
R172	0662057A32	200
R173	0662057N47	1MEG
R201	0662057N21	82K
R202	0662057N23	100K
R204	0662057N15	47K
R231	0662057M52	120
R232	0662057M69	620
R233	0662057M68	560
R241	0662057M32	18
R242	0662057M57	200
R243	0662057M98	10K
R244	0662057N01	12K
R245	0662057M59	240
R248	0662057M37	30
R251	0662057M32	18
R252	0662057M62	330
R253	0662057M95	7.5K

Circuit Ref	Motorola Part No.	Description
R254	0662057M95	7.5K
R255	0662057M89	4.3K
R256	0662057M37	30
R260	0662057M74	1K
R281	0662057M01	0
R300	0662057M82	2.2K
R301	0662057N23	100K
R302	0662057N23	100K
R303	0662057M74	1K
R304	0662057N01	12K
R305	0662057M67	510
R306	0662057N23	100K
R307	0662057N23	100K
R308	0662057M60	270
R309	0662057M32	18
R310	0662057M60	270
R311	0662057N10	30K
R312	0662057M83	2.4K
R313	0662057M62	330
R314	0662057M85	3K
R315	0662057N01	12K
R316	0662057A96	36K
R317	0662057M74	1K
R318	0662057A79	18K
R319	0662057A29	150
R320	0662057M88	3.9K
R321	0662057M74	1K
R322	0662057N30	200K
R324	0662057M81	2K
R325	0662057M94	6.8K
R326	Not Placed	
R327	0662057N11	33K
R328	0662057M12	2.7
R329	0662057M01	0
R330	Not Placed	
R331	Not Placed	
R332	Not Placed	
R333	Not Placed	
R334	Not Placed	
R335	Not Placed	
R336	Not Placed	
R338	Not Placed	
R339	0662057M01	0
R340	0662057M94	6.8K
R342	0662057N23	100K
R343	0662057M26	10
R344	0662057N01	12K
R345	0662057M98	10K
R346	0662057N17	56K
R347	0662057M74	1K
R348	0662057M87	3.6K
R349	0662057C01	0
R350	0662057N23	100K
R351	0662057C01	0
R352	0662057M86	3.3K

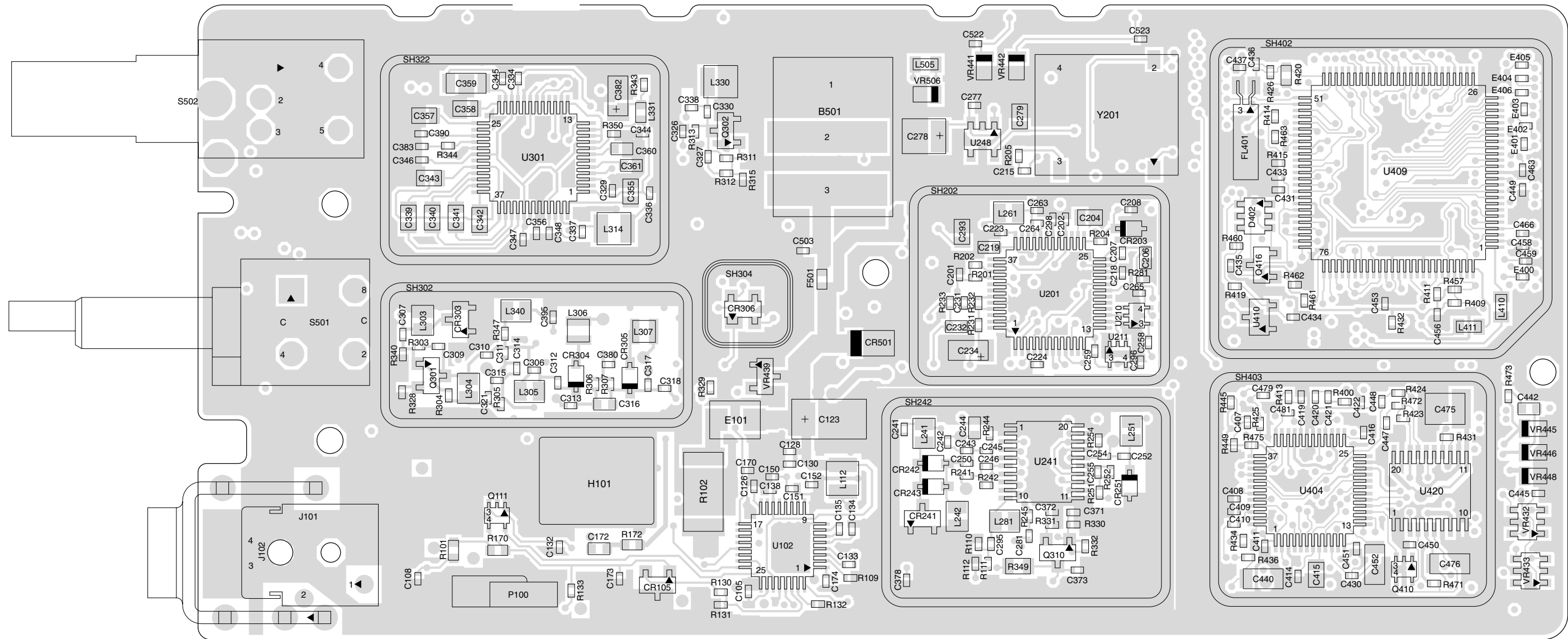
Circuit Ref	Motorola Part No.	Description
R355	0662057M01	0
R400	0662057N15	47K
R401	0662057M01	0
R402	Not Placed	
R403	Not Placed	
R405	0662057M01	0
R406	0662057N20	75K
R407	0662057N19	68K
R408	Not Placed	
R409	0662057M98	10K
R410	0662057N23	100K
R411	0662057M98	10K
R413	0662057M01	0
R414	0662057V34	180K, 1%
R415	0662057V26	91K, 1%
R416	0662057N13	39K
R418	0662057M01	0
R419	0662057M67	510
R420	0662057B46	10MEG
R421	0662057M81	2K
R423	0662057N15	47K
R424	0662057N12	36K
R425	0662057N10	30K
R426	0662057N35	330K
R427	0662057M84	2.7K
R428	0662057M10	2.2
R429	0662057M98	10K
R431	0662057N39	470K
R432	0662057N16	51K
R434	0662057M93	6.2K
R435	0662057M81	2K
R436	0662057M01	0
R437	Not Placed	
R445	0662057N08	24K
R446	0662057N31	220K
R447	0662057N50	1.3M
R448	0662057N33	270K
R449	0662057N08	24K
R450	0683962T45	68, 1W
R457	0662057M98	10K
R460	0662057M90	4.7K
R461	0662057M56	180
R462	0662057M98	10K
R463	0662057M61	300
R471	0662057M92	5.6K
R472	0662057M87	3.6K
R473	0662057M26	10
R475	0662057M01	0
R476	0662057N08	24K
R477	0662057M74	1K
R478	0662057M98	10K
R481	0662057N08	24K
R492	0662057M01	0
R501	0662057M70	680
R502	0662057M56	180

Circuit Ref	Motorola Part No.	Description
R505	0662057M98	10K
R506	0662057N15	47K
R507	0662057M01	0
RT300	0680590Z01	Thermistor 33K
RT301	Not Placed	
RT400	0680590Z01	Thermistor 33K
S501	4080502B03	Channel Switch
S502	1880619Z01	Volume Switch
SH100	2680507Z01	Harmonic Filter Shield
SH101	2680510Z01	PA Shield
SH201	2680511Z01	Synthesizer Top Shield
SH202	2680511Z01	Synthesizer Bottom Shield
SH241	2680513Z01	VCO Top Shield
SH242	2680514Z01	VCO Bottom Shield
SH301	2680554Z01	Rx Pre-filter shield\
SH302	2680555Z01	Rx Post-filter/RF Amp Shield
SH303	2680509Z01	Mixer Shield
SH304	2680624Z01	Mixer Diode Shield
SH321	2680508Z01	Zif 2nd LO Shield
SH322	2680514Z01	ZIF Shield
SH323	2680553Z01	Xtal Filter Shield
SH400	2680505Z01	Controller Memory Shield
SH401	2680506Z01	Controller On/Off Shield
SH402	2680515Z01	Controller Microprocessor Shield
SH403	2680516Z01	Controller AsficCmp/Audi PA Shield
T301	2580541Z01	Transformer Coil
T302	2580541Z01	Transformer Coil
U101	5105109Z67	LDMOS Driver
U102	5185765B01	Power Control IC
U201	5185963A27	Low Voltage FRACN IC
U210	5102463J61	Inverter
U211	5102463J61	Inverter
U241	5105750U54	VCO Buffer
U247	5105739X05	Regulator Linear
U248	5102463J58	3.3V Regulator
U301	5109632D83	Low Voltage ZIF
U400	5102463J40	3.3V Regulator
U404	5185963A53	ASFIC
U405	Not Placed	
U406	*5102463J59	ROM 256K
U407	*5102463J64	EEPROM 16Kx8
U409	5102226J55	Microcontroller
U410	5102463J57	3.3V Reg
U420	5102463J44	Audio PA
VR300	Not Placed	
VR432	4805656W08	5.6V Zener
VR433	4805656W08	5.6V Zener
VR434	4802245J51	6.8V Zener
VR439	4880140L15	10V Zener
VR440	4802245J51	6.8V Zener
VR441	4802245J51	6.8V Zener
VR442	4802245J51	6.8V Zener
VR443	4802245J51	6.8V Zener
VR444	4802245J51	6.8V Zener
VR445	4802245J53	10V Zener

Circuit Ref	Motorola Part No.	Description
VR446	4802245J53	10V Zener
VR447	4802245J53	10V Zener
VR448	4802245J53	10V Zener
VR449	4802245J53	10V Zener
VR450	4802245J53	10V Zener
VR501	4813830A18	6.8V Zener
VR506	4802245J51	6.8V Zener

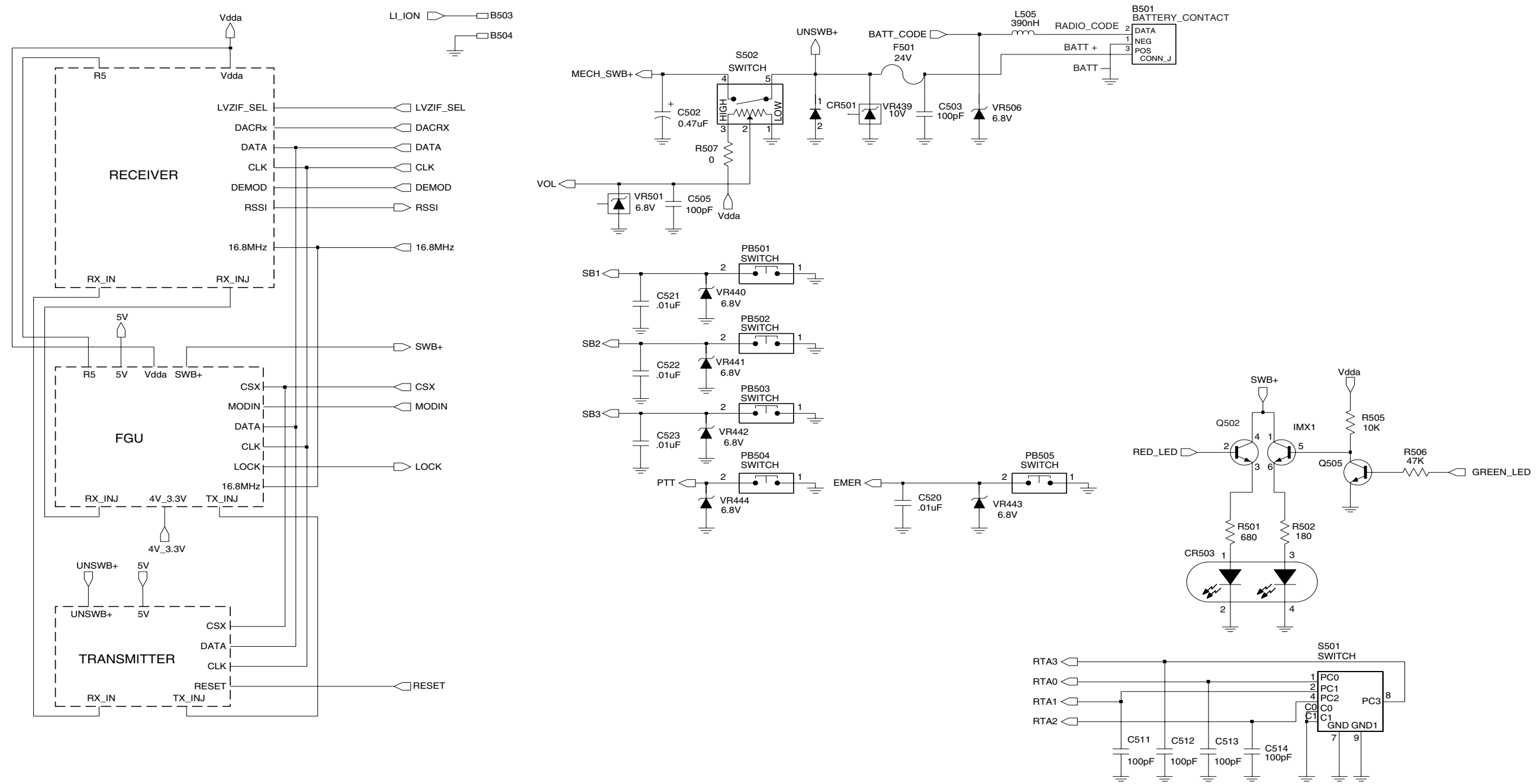
* Motorola Depot Servicing only

Notes



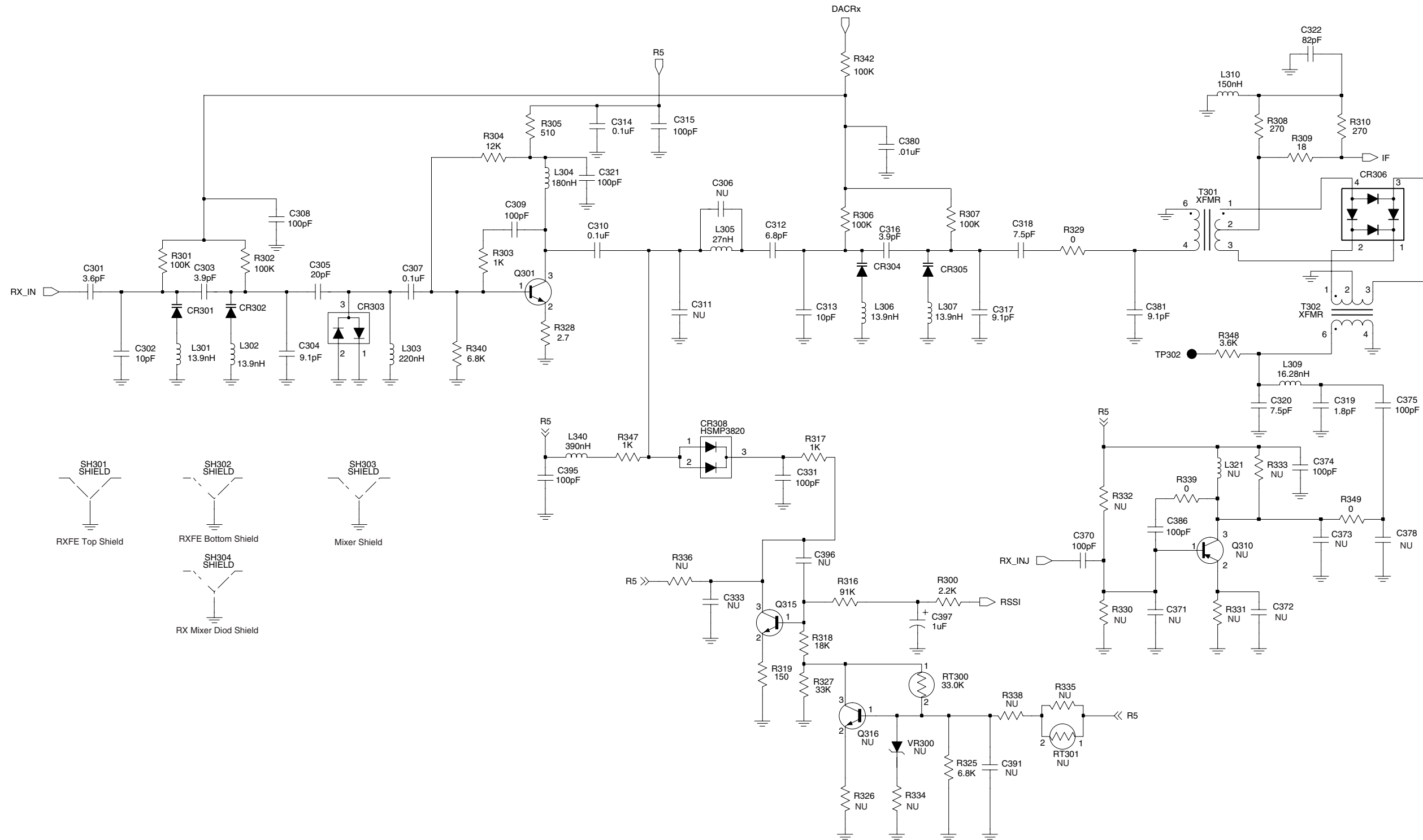
FL08307500

Figure 9-99. UHF (450-527 MHz) 5000/7000 Series Main Board Bottom Side PCB 8485641Z02



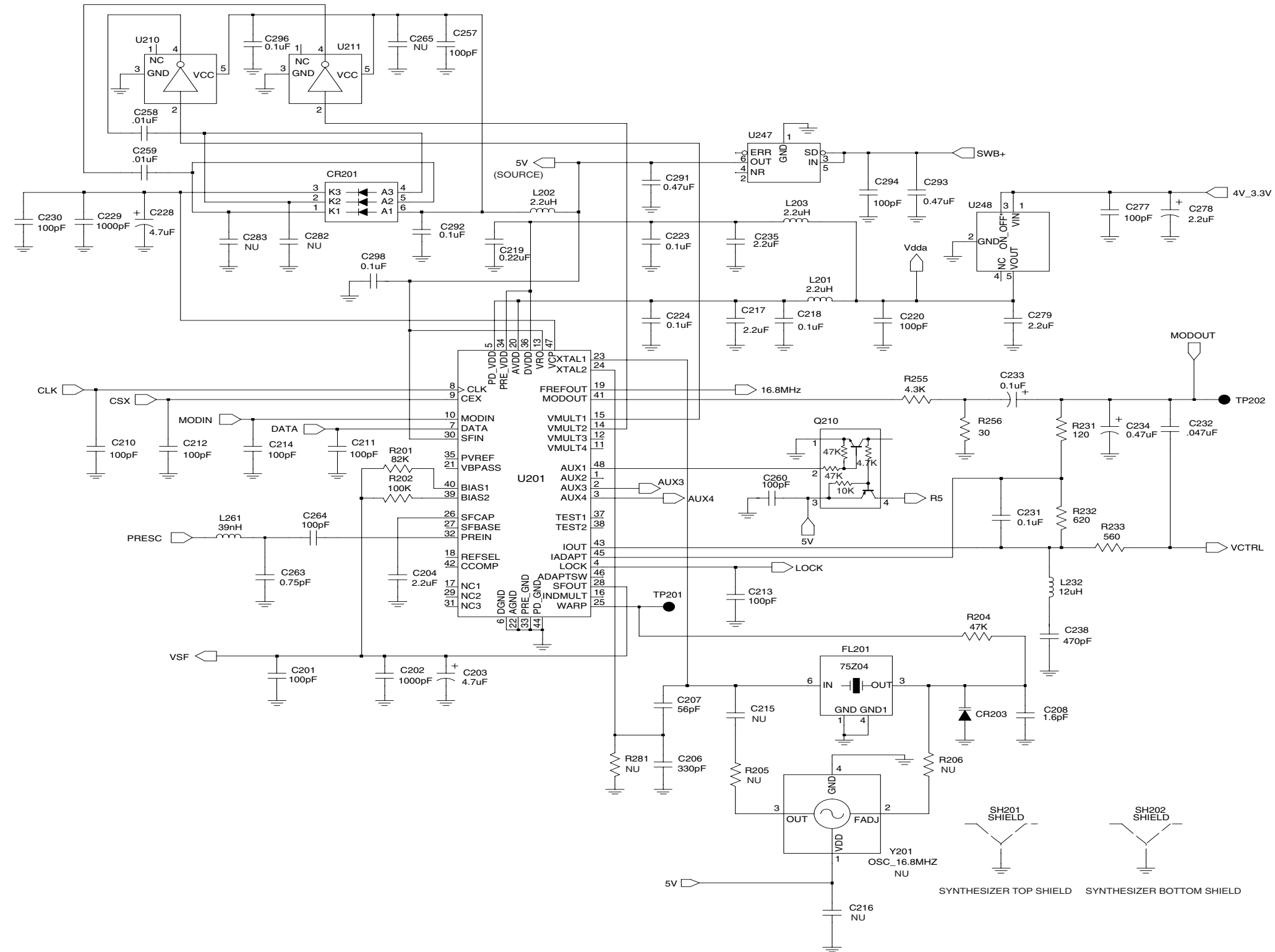
FL08307410

Figure 9-100. UHF (450-527 MHz) Controls and Switches Schematic Diagram



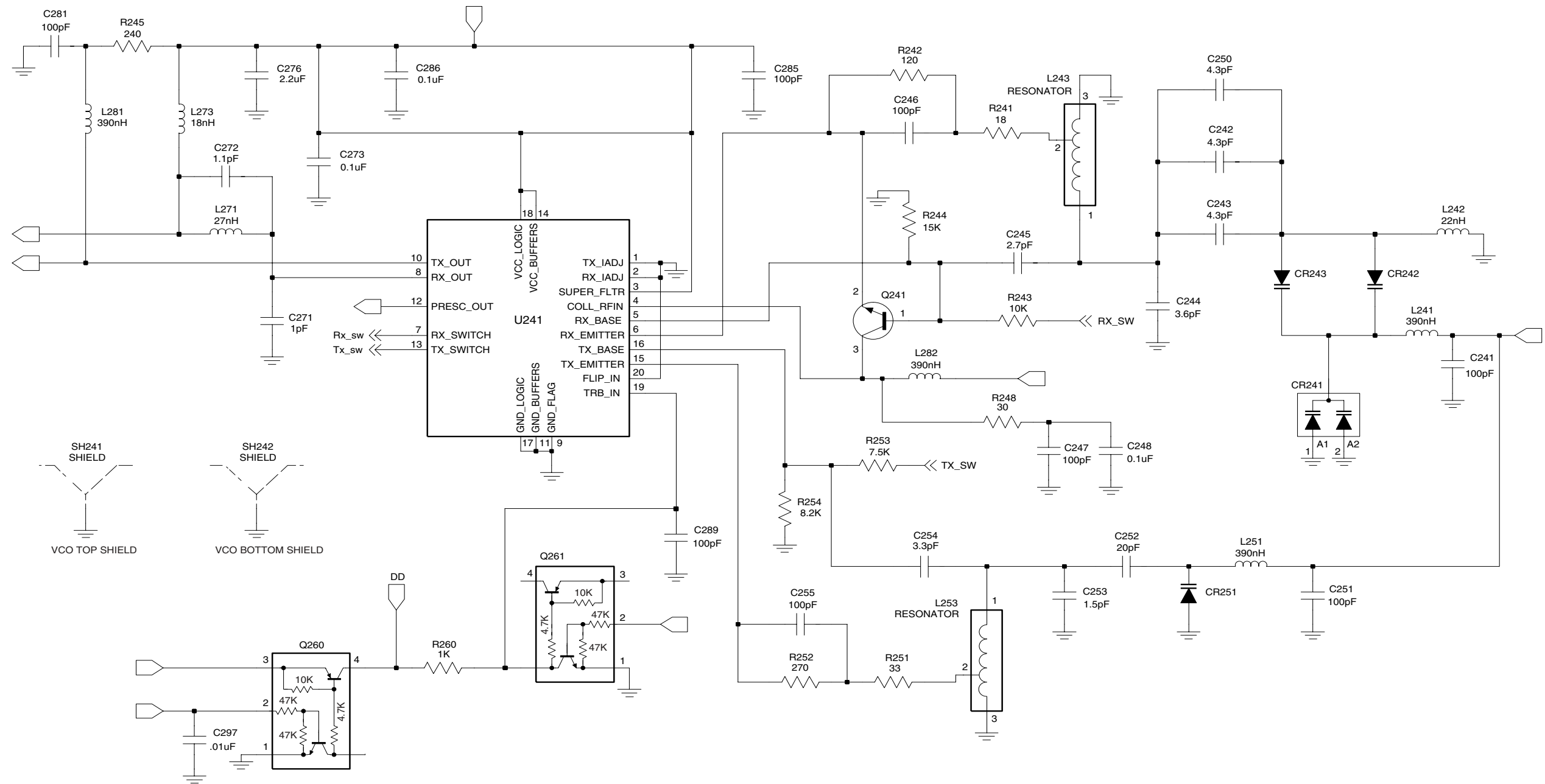
FL08307420

Figure 9-101. UHF (450-527 MHz) Receiver Front End Schematic Diagram



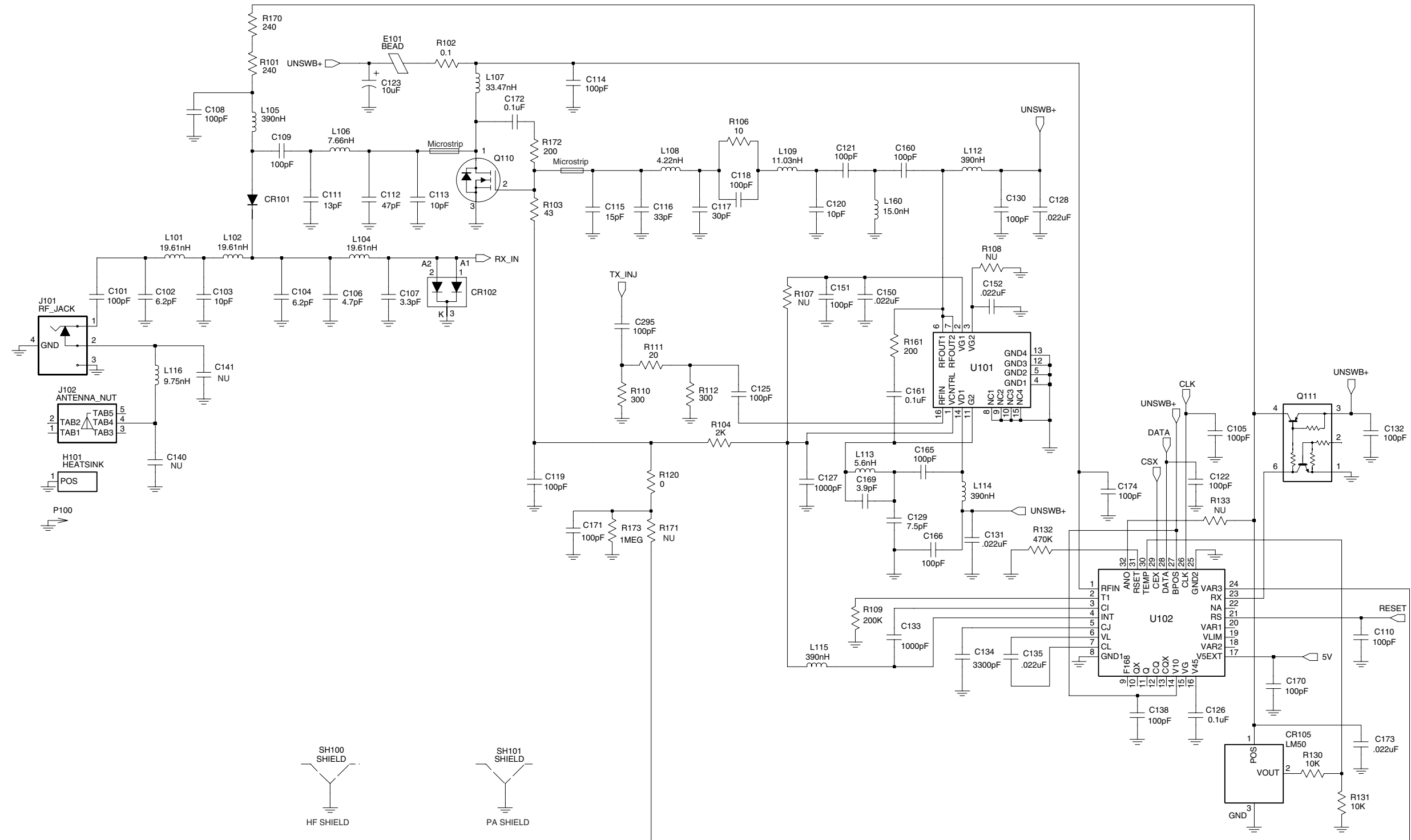
FL0830751O

Figure 9-103. UHF (450-527 MHz) Synthesizer Schematic Diagram



FL08307520

Figure 9-104. UHF (450-527 MHz) Voltage Controlled Oscillator Schematic Diagram



FL08307530

Figure 9-105. UHF (450-527 MHz) Transmitter Schematic Diagram

UHF (450-527 MHz) Radio Parts List (PCB 8485641Z02)

Circuit Ref	Motorola Part No.	Description
B501	0986237A02	Battery Contact Module
B503	3980502Z01	Backup battery B+
B504	3980501Z01	Backup battery B-
C101	2113740F51	100pF
C102	2113740F22	6.2pF
C103	2113740F27	10pF
C104	2113740F22	6.2pF
C105	2113743N50	100pF
C106	2113740F19	4.7pF
C107	2113740F15	3.3pF
C108	2113743N50	100pF
C109	2113740F51	100pF
C110	2113743N50	100pF
C111	2113740F30	13pF
C112	2180605Z32	47pF
C113	2180605Z16	10pF
C114	2113743N50	100pF
C115	2113743N30	15.0pF
C116	2113743N38	33.0pF
C117	2113743N37	30.0pF
C118	2113743N50	100pF
C119	2113743N50	100pF
C120	2113743N26	10pF
C121	2113743N50	100pF
C122	2113743N50	100pF
C123	2311049A18	10uF
C125	2113743N50	100pF
C126	2113743M24	0.1uF
C127	2113743L17	1000pF
C128	2113743M08	0.022uF
C129	2113743N23	7.5pF
C130	2113743N50	100pF
C131	2113743M08	0.022uF
C132	2113743N50	100pF
C133	2113743L17	1000pF
C134	2113743L29	3300pF
C135	2113743M08	0.022uF
C138	2113743N50	100pF
C150	2113743M08	0.022uF
C151	2113743N50	100pF
C152	2113743M08	0.022uF
C160	2113743N50	100pF
C161	2113743M24	0.1uF
C165	2113743N50	100pF
C166	2113743N50	100pF
C169	2113743N20	5.6pF
C170	2113743N50	100pF
C171	2113743N50	100pF
C172	2113740F51	100pF
C173	2113743M08	0.022uF
C174	2113743N50	100pF
C201	2113743N50	100pF
C202	2113743L17	1000pF
C203	2311049A56	4.7pF

Circuit Ref	Motorola Part No.	Description
C204	2104993J02	2.2uF
C206	2113740F63	330pF
C207	2113743N44	56.0pF
C208	2113743N08	1.6pF
C210	2113743N50	100pF
C211	2113743N50	100pF
C212	2113743N50	100pF
C213	2113743N50	100pF
C214	2113743N50	100pF
C217	2104993J02	2.2uF
C218	2113743M24	0.1uF
C219	2113743K16	0.220uF
C220	2113743N50	100pF
C223	2113743M24	0.1uF
C224	2113743M24	0.1uF
C228	2311049J11	4.7uF
C229	2113743L17	1000pF
C230	2113743N50	100pF
C231	2113743M24	0.1uF
C232	2113743E12	0.047uF
C233	2311049A01	0.1pF
C234	2311049A05	0.47pF
C235	2104993J02	2.2uF
C238	2113741F17	470pF
C241	2113743N50	100pF
C242	2113743N23	7.5pF
C243	2113743N23	7.5pF
C244	2113740F10	2.0pF
C245	2113743N11	2.4pF
C246	2113743N50	100pF
C247	2113743N50	100pF
C248	2113743M24	0.1uF
C250	2113743N23	7.5pF
C251	2113743N50	100pF
C252	2113743N26	10pF
C253	2113740F09	1.8pF
C254	2113743N15	3.6pF
C255	2113743N50	100pF
C257	2113743N50	100pF
C258	2113743L41	0.01uF
C259	2113743L41	0.01uF
C260	2113743N50	100pF
C263	2113743N02	0.75pF
C264	2113743N50	100pF
C273	2113743M24	0.1uF
C276	2104993J02	2.2uF
C277	2113743N50	100pF
C278	2311049A09	2.2uF
C279	2104993J02	2.2uF
C281	2113743N50	100pF
C285	2113743N50	100pF
C286	2113743M24	0.1uF
C289	2113743N50	100pF
C291	2311049A69	10.0uF
C292	2113743M24	0.1uF
C293	2113743A27	0.470uF

Circuit Ref	Motorola Part No.	Description
C294	2113743N50	100pF
C295	2113743N50	100pF
C296	2113743M24	0.1uF
C297	2113743L41	0.01uF
C298	2113743M24	0.1uF
C301	2113743N15	3.6pF
C302	2113743N26	10pF
C303	2113740L08	3.9pF
C304	2113743N26	10pF
C305	2113743N33	20.0pF
C307	2113743M24	0.1uF
C308	2113743N50	100pF
C309	2113743N50	100pF
C310	2113743M24	0.1uF
C312	2113743N25	9.1pF
C313	2113743N26	10pF
C314	2113743M24	0.1uF
C315	2113743N50	100pF
C316	2113740L08	3.9pF
C317	2113743N25	9.1pF
C318	2113743N23	7.5pF
C319	2113743N69	1.8pF
C320	2113743N23	7.5pF
C321	2113743N50	100pF
C322	2113743N48	82.0pF
C323	2113743N54	150pF
C324	2113743N33	20.0pF
C325	2113743L41	0.01uF
C326	2113743L41	0.01uF
C327	2113743N50	100pF
C328	2113743M24	0.1uF
C329	2113743M24	0.1uF
C330	2113743N26	10pF
C331	2113743N50	100pF
C334	2113743M08	0.022uF
C336	2113743M24	0.1uF
C337	2113743N50	100pF
C338	2113743N30	15.0pF
C339	2180478Z20	1.0uF
C340	2180478Z20	1.0uF
C341	2180478Z20	1.0uF
C342	2180478Z20	1.0uF
C343	2113743A23	0.220uF
C344	2113743M24	0.1uF
C345	2113743M24	0.1uF
C346	2113743M24	0.1uF
C347	2113743M24	0.1uF
C348	2113743M24	0.1uF
C349	2113743E07	0.022uF
C350	2113743L05	330pF
C351	2113743N33	20.0pF
C352	2113743N28	12.0pF
C353	2113743N41	43.0pF
C354	2113743N42	47.0pF
C355	2113743A24	0.330uF
C356	2113743M08	0.022uF

Circuit Ref	Motorola Part No.	Description
C357	2113743A23	0.220uF
C358	2113741A23	1200pF
C359	2109720D14	0.1uF
C360	2113743E07	0.022uF
C361	2113741F49	10NF
C362	2113743M08	0.022uF
C363	2311049A40	2.2uF
C364	2113743L41	0.01uF
C370	2113743N50	100pF
C374	2113743N50	100pF
C375	2113743N50	100pF
C380	2113743L41	0.01uF
C381	2113743N21	6.2pF
C382	2311049A59	10uF
C383	2113743N50	100pF
C384	2113743N44	56.0pF
C385	2113743N44	56.0pF
C386	2113743N50	100pF
C390	2113743N50	100pF
C395	2113743N50	100pF
C397	2311049A05	0.47pF
C400	2113743L41	0.01uF
C401	2113743M24	0.1uF
C402	2113743M24	0.1uF
C403	2113928D08	10.0uF
C407	2113928N01	0.1uF
C408	2113743N50	100pF
C409	2113743M24	0.1uF
C410	2113928N01	0.1uF
C411	2113743M24	0.1uF
C414	2113743M24	0.1uF
C415	2109720D01	0.01uF
C416	2113928N01	0.1uF
C420	2113743L41	0.01uF
C421	2113928N01	0.1uF
C422	2113743M24	0.1uF
C423	2113743N50	100pF
C424	2311049A59	10uF
C425	2113743M24	0.1uF
C426	2113743N50	100pF
C427	2113743N50	100pF
C428	2113743M24	0.1uF
C429	2113743M24	0.1uF
C430	2113928N01	0.1uF, 10% 0662057M01 0 (SUB on Models LS+ Only)
C431	2113743N50	100pF
C433	2113743L41	0.01uF
C434	2113743M24	0.1uF (not used in HT750 or PRO5150)
C435	2113743M24	0.1uF
C436	2113743N34	22.0pF (not used in HT750 or PRO5150)
C437	2113743N34	22.0pF (not used in HT750 or PRO5150)
C440	2113743G26	4.7uF
C441	2113743N50	100pF

Circuit Ref	Motorola Part No.	Description
C442	2113743E20	10uF
C443	2113928N01	0.1uF
C444	2113743N50	100pF
C445	2113743N50	100pF
C447	2113743M08	0.022uF
C448	2113928N01	0.1uF
C449	2113743N50	100pF
C451	2113743M08	0.022uF
C452	2113743G26	4.7uF
C453	2113743N50	100pF
C456	2113743N50	100pF
C458	2113743N50	100pF
C459	2113743N50	100pF
C463	2113743N50	100pF
C466	2113743N50	100pF
C467	2113928N01	0.1uF
C471	2113743N50	100pF
C472	2113743L09	470pF
C473	2113743L09	470pF
C475	2113743H14	10.0uF
C476	2113928D08	10.0uF
C479	2113928N01	0.1uF
C480	2113928D08	10.0uF
C481	2113928N01	0.1uF
C482	2113928N01	0.1uF, 10% 0662057M01 0 (SUB on Models LS ⁺ Only)
C490	2113743N50	100pF
C491	2113743N50	100pF
C492	2113743N50	100pF
C493	2113743N50	100pF
C494	2113743N50	100pF
C495	2113743N50	100pF
C496	2113743N50	100pF
C497	2113743N50	100pF
C502	2311049A05	0.47pF
C503	2113743N50	100pF
C505	2113743N50	100pF
C511	2113743N50	100pF
C512	2113743N50	100pF
C513	2113743N50	100pF
C514	2113743N50	100pF
C520	2113743L41	0.01uF
C521	2113743L41	0.01uF
C522	2113743L41	0.01uF
C523	2113743L41	0.01uF
CR101	4880973Z02	Pin Diode
CR102	4802245J41	Pin Diodes
CR105	5185963A15	Temperature Sense
CR201	4802233J09	Diode Triple
CR203	4862824C03	Varactor
CR241	4805649Q13	Dual Varactor
CR242	4862824C01	Varactor
CR243	4862824C01	Varactor
CR251	4802245J22	Varactor
CR301	4862824C01	Varactor
CR302	4862824C01	Varactor

Circuit Ref	Motorola Part No.	Description
CR303	4880154K03	Dual Common Anode-cathode
CR304	4862824C01	Varactor
CR305	4862824C01	Varactor
CR306	4802245J42	Ring Quad Diode
CR308	4802245J41	Pin Diodes
CR310	4862824C01	Varactor
CR411	4802245J47	Diode Schottky
CR412	4802245J47	Diode Schottky
CR413	4802245J47	Diode Schottky
CR440	4813833C02	Dual Diode Common Cathode
CR501	4880107R01	Rectifier
CR503	4805729G49	Led Red/yellow
E101	2484657R01	Ferrite Bead
E400	2480640Z01	Ferrite Bead
E401	2480640Z01	Ferrite Bead
E402	2480640Z01	Ferrite Bead
E403	2480640Z01	Ferrite Bead
E404	2480640Z01	Ferrite Bead
E405	2480640Z01	Ferrite Bead
E406	2480640Z01	Ferrite Bead
E407	2480640Z01	Ferrite Bead
E408	2480640Z01	Ferrite Bead
E409	2480640Z01	Ferrite Bead
F501	6580542Z01	Fuse 3A
FL201	4802245J49	16.8 MHz Xtal Clip (not field serviceable)
FL301	4802245J43	Crystal Filter 45.1 MHz
FL401	4870368G02	Clock Oscillator Crystal (not used in HT750 or PRO5150)
H101	2680499Z01	Heat Spreader
J101	0180117S05	RF Jack Assembly
J102	0280519Z02	Nut, Antenna
J400	0905505Y04	40 Pin Connector
J403	0905505Y02	20 Pin Connector
L101	2479990B02	19.61nH
L102	2479990B02	19.61nH
L104	2479990B02	19.61nH
L105	2462587N22	390nH
L106	2479990A02	7.66nH
L107	2479990G01	33.47nH
L108	2479990A01	4.22nH
L109	2479990B01	11.03nH
L112	2462587N45	22nH
L113	2413926H09	5.6nH
L114	2462587N22	390nH
L115	2462587N22	390nH
L116	2479990A03	9.75nH
L160	2413926H14	15.0nH
L201	2462587Q20	2.2uH
L202	2462587Q20	2.2uH
L203	2462587Q20	2.2uH
L232	2462587P25	12uH
L241	2462587V41	390nH
L242	2462587V38	220nH
L243	2460593C01	Teflon Resonator
L251	2462587V28	33nH

Circuit Ref	Motorola Part No.	Description
L253	2460593C02	Teflon Resonator
L261	2462587V29	39nH
L271	2462587V32	68nH
L273	2462587V28	33nH
L281	2462587V41	390nH
L282	2462587V41	390nH
L301	2479990C01	13.9nH
L302	2479990C01	13.9nH
L303	2462587V26	22nH
L304	2462587V37	180nH
L305	2462587V26	22nH
L306	2479990C01	13.9nH
L307	2479990C01	13.9nH
L309	2479990C02	16.28nH
L310	2462587V36	150nH
L311	2462587N65	750nH
L314	2462587N72	2.2uH
L325	2480646Z20	2.20uH
L330	2462587N64	680nH
L331	2480646Z20	2.20uH
L332	2462587N53	100nH
L340	2462587V41	390nH
L400	2462587Q42	390nH
L401	2462587Q42	390nH
L410	2462587Q42	390nH
L411	2462587Q42	390nH
L505	2462587Q42	390nH
P100	3905643V01	Ground Contact Finger
PB501	4080523Z01	Tactile Push Button
PB502	4080523Z01	Tactile Push Button
PB503	4080523Z01	Tactile Push Button
PB504	4080523Z01	Tactile Push Button
PB505	4080523Z01	Tactile Push Button
Q110	4802245J55	RF Power Fet
Q111	4802245J50	Dual NPN/PNP
Q210	4802245J50	Dual NPN/PNP
Q241	4805218N63	NPN
Q260	4802245J50	Dual NPN/PNP
Q261	4802245J50	Dual NPN/PNP
Q301	4802245J44	NPN
Q302	4802245J44	NPN
Q315	4880214G02	NPN
Q320	4805218N63	NPN
Q400	4809579E18	MOSFET P-Chan
Q403	4880214G02	NPN
Q405	4802245J54	Dual NPN
Q410	4802245J54	dual NPN
Q416	4809579E18	MOSFET P-Chan
Q417	4802245J50	Dual NPN/PNP
Q502	5180159R01	Dual NPN
Q505	4880214G02	NPN
R101	0662057A34	240
R102	0680735Z01	0.075
R103	0662057M41	43
R104	0662057N15	47K
R106	0662057M26	10

Circuit Ref	Motorola Part No.	Description
R108	0662057M92	5.6K
R109	0662057N30	200K
R110	0662057M61	300
R111	0662057M33	20
R112	0662057M61	300
R120	0662057N14	43K
R130	0662057M98	10K
R131	0662057N05	18K
R132	0662057N33	270K
R161	0662057M57	200
R170	0662057A34	240
R171	0662057N14	43K
R172	0662057A32	200
R173	0662057N29	180K
R201	0662057N21	82K
R202	0662057N23	100K
R204	0662057N15	47K
R231	0662057M52	120
R232	0662057M69	620
R233	0662057M68	560
R241	0662057M32	18
R242	0662057M57	200
R243	0662057M98	10K
R244	0662057N01	12K
R245	0662057M59	240
R248	0662057M37	30
R251	0662057M32	18
R252	0662057M62	330
R253	0662057M95	7.5K
R254	0662057M95	6.8K
R255	0662057M89	4.3K
R256	0662057M37	30
R260	0662057M74	1K
R300	0662057M82	2.2K
R301	0662057N23	100K
R302	0662057N23	100K
R303	0662057M74	1K
R304	0662057N01	12K
R305	0662057M67	0
R306	0662057N23	100K
R307	0662057N23	100K
R308	0662057M60	270
R309	0662057M32	18
R310	0662057M60	270
R311	0662057N10	30K
R312	0662057M83	2.4K
R313	0662057M62	330
R314	0662057M85	3K
R315	0662057N01	12K
R316	0662057A96	91K
R317	0662057M74	1K
R318	0662057A79	18K
R319	0662057A29	150
R320	0662057M74	1K
R321	0662057M83	2.4K
R322	0662057N30	200K

Circuit Ref	Motorola Part No.	Description
R324	0662057M81	2K
R325	0662057M94	6.8K
R327	0662057N11	33K
R328	0662057M12	2.7
R329	0662057M01	0
R339	0662057M01	0
R340	0662057M94	6.8K
R342	0662057N23	100K
R343	0662057M26	10
R344	0662057N01	12K
R345	0662057M98	10K
R346	0662057N17	56K
R347	0662057M74	1K
R348	0662057M87	3.6K
R349	0662057C01	0
R350	0662057N23	100K
R351	0662057C01	0
R352	0662057M86	3.3K
R355	0662057M01	0
R400	0662057N15	47K
R401	0662057M01	0
R405	0662057M01	0
R406	0662057N20	75K
R407	0662057N19	68K
R409	0662057M98	10K
R410	0662057N23	100K
R411	0662057M98	10K
R413	0662057M01	0
R414	0662057V34	180K
R415	0662057V26	91K
R416	0662057N13	39K
R418	0662057M01	0
R419	0662057M67	0 (not used in HT750 or PRO5150)
R420	0662057B46	10.0 MEG (not used in HT750 or PRO5150)
R421	0662057M81	2K
R423	0662057N39	470K
R424	0662057N12	36K
R425	0662057N10	30K
R426	0662057N35	330K (not used in HT750 or PRO5150)
R427	0662057M84	2.7K
R428	0662057M10	2.2
R429	0662057M98	10K
R431	0662057N39	470K
R432	0662057N16	51K
R434	0662057M62	330
R435	0662057M81	2K
R436	0662057M01	0
R445	0662057N08	24K
R446	0662057N31	220K
R447	0662057N51	1.5MEG
R448	0662057N33	270K
R449	0662057N08	24K
R450	0683962T45	68
R457	0662057M98	10K

Circuit Ref	Motorola Part No.	Description
R460	0662057M90	4.7K
R461	0662057M56	180 (not used in HT750 or PRO5150)
R462	0662057M98	10K (not used in HT750 or PRO5150)
R463	0662057M61	300
R471	0662057M92	5.6K
R472	0662057N12	36K
R473	0662057M26	10
R475	0662057M01	0
R476	0662057N08	24K
R477	0662057M74	1K
R478	0662057M98	10K
R481	0662057N08	24K
R492	0662057M01	0
R501	0662057M70	680
R502	0662057M56	180
R505	0662057M98	10K
R506	0662057N15	47K
R507	0662057M01	0
RT300	0680590Z01	Thermistor 33K
RT400	0680590Z01	Thermistor 33K
S501	4080710Z01	Channel Switch
S502	1880619Z01	Volume Switch
SH100	2680507Z01	Shield, Harmonic Filter
SH101	2680510Z01	Shield, Pa
SH201	2680511Z01	Synthesizer Top Shield
SH202	2680511Z01	Synthesizer Bottom Shield
SH241	2680513Z01	Shield, VCO Top
SH242	2680514Z01	Shield, VCO Bottom/LVZIF
SH301	2680554Z01	RX Pre Filter Shield
SH302	2680555Z01	RX Post Filter/RX Amp
SH303	2680509Z01	Shield, Mixer
SH304	2680624Z01	Shield, Mixer Diode
SH321	2680508Z01	Shield, LVZIF 2nd LO
SH322	2680514Z01	ZIF Shield
SH323	2680553Z01	Shield, Crystal Filter
SH400	2680505Z01	Controller Memory Shield
SH401	2680506Z01	On/off Controller Shield
SH402	2680515Z01	Microprocessor Controlled Shield
SH403	2680516Z01	ASFIC CMP/Audio PA Controller Shield
T301	2580541Z01	Transformer Coil
T302	2580541Z01	Transformer Coil
U101	5105109Z67	LDMOS Driver UHF IC
U102	5185765B01	Power Control IC
U201	5185963A27	LVFRACN
U210	5102463J61	Inverter
U211	5102463J61	Inverter
U241	5105750U54	VCO Buffer
U247	5105739X05	Regulator Linear
U248	5102463J58	3.3v Regulator
U301	5109632D83	LVZIF 2.2
U400	5102463J40	3.3V Regulator
U404	5185963A53	ASFIC CMP
U405	5102463J36	Static RAM 32Kx8

Circuit Ref	Motorola Part No.	Description
U406	*5102463J59	Flash ROM 128Kx8
	*5102463J60	ROM 512Kx8
U407	*5102463J64	16K X 8 EEPROM (not used in HT750 or PRO5150)
U409	5102226J56	Microprocessor HC11FLO
U410	5102463J57	Regulator 3.3V (not used in HT750 or PRO5150)
U420	5102463J44	Audio PA
VR432	4805656W08	5.6V Zener
VR433	4805656W08	5.6V Zener
VR434	4802245J51	Zener 6.8V
VR439	4880140L15	10V Zener
VR440	4802245J51	Zener 6.8V
VR441	4802245J51	Zener 6.8V
VR442	4802245J51	Zener 6.8V
VR443	4802245J51	Zener 6.8V
VR444	4802245J51	Zener 6.8V
VR445	4802245J53	Zener 10V
VR446	4802245J53	Zener 10V
VR447	4802245J53	Zener 10V
VR448	4802245J53	Zener 10V
VR449	4802245J53	Zener 10V
VR450	4802245J53	Zener 10V
VR501	4813830A18	6.8V Zener
VR506	4802245J51	Zener 6.8V
	7580671Z01	Pad (Flexible Circuit)
	7580671Z01	Pad (Flexible Circuit)

* Motorola Depot Servicing only

