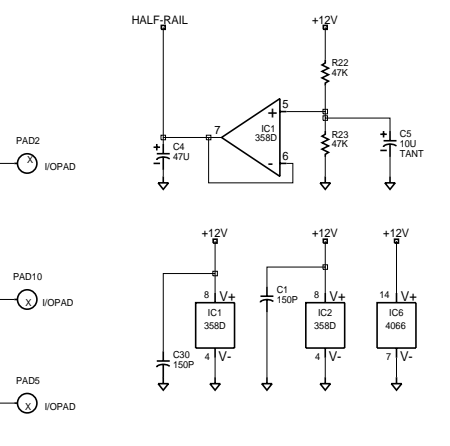
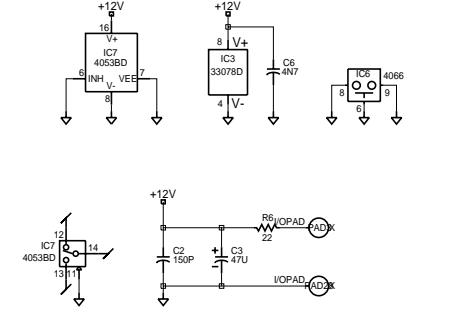
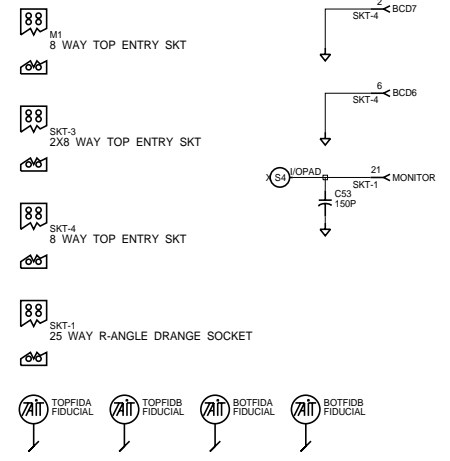


OPTION	*LK1	*LK2	*LK3	*LK4	*LK5	*LK6	*LK7	*LK8	*LK9	*LK10	*LK11	*LK12
1	OSLNK	OSLNK	OSLNK	OSLNK	OSLNK	OSLNK	OSLNK	OSLNK	OSLNK	OSLNK	OSLNK	OSLNK

OPTION 1 IS STANDARD.

&DBM-RANGE	&LK13	&LK14	&LK15	&LK16
0	OSLNK	OSLNK	OSLNK	OSLNK
-10	OSLNK	OSLNK	OSLNK	OSLNK
-20	OSLNK	OSLNK	OSLNK	OSLNK

-10DBM IS STANDARD.



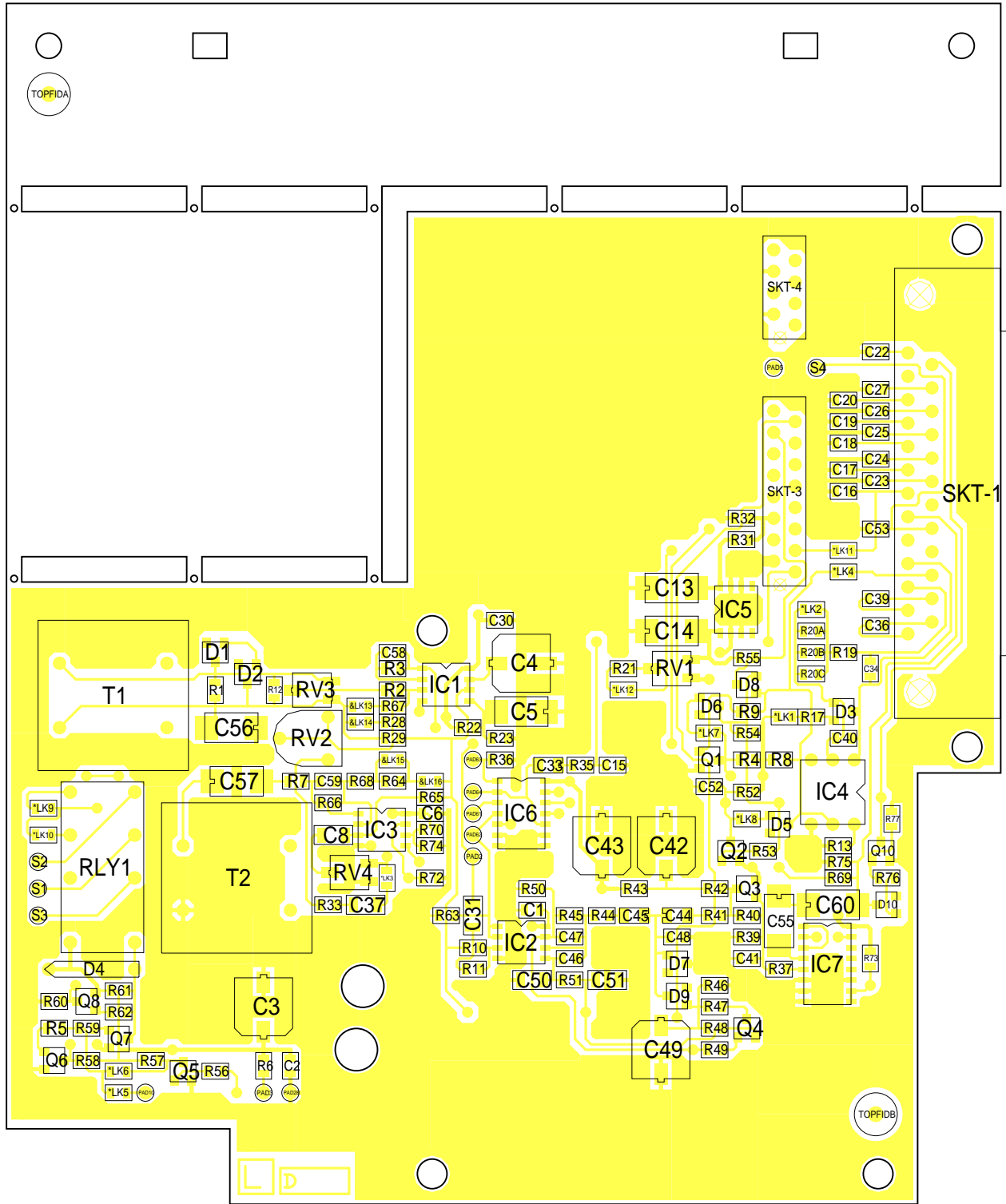
REV/ISS	AMENDMENTS	DRAWN	CHKD	D.O.	APVD	DATE
2B	ECO. 770055					
2A	TA0122-03-9197-0001					
1A	CLONED FROM TA122-02.					

QTY: 1.0	IPN: 309-01050-00	INSULATOR CARD FOR T700 OPTIONS PCB (MECH PART)
QTY: 1.0	IPN: 410-01072-00	CARTON ACCESSORY A2A678 204*136*60MM(MECH PART)
QTY: 1.0	IPN: 399-00010-86	BAG STATIC SHIELDING 127*203MM (MECH PART)
QTY: 1.0	IPN: 399-00010-51	BAG PLASTIC 75*100MM (MECH PART)
QTY: 1.0	IPN: 365-01482-00	LABEL BLANK 20X67MM BRIGHT ORANGE (MECH PART)
QTY: 3.0	IPN: 349-00020-32	SCREW TAPTITE M3*8MM PAN POZI ST BZ (MECH PART)
QTY: 2.0	IPN: 316-80032-00	PACKAGE FOAM A4M2495 (MECH PART)
QTY: 2.0	IPN: 240-00020-56	SKI 8 WAY 2X4 MICROMATCH ICD (PURE MECH PART)
QTY: 0.06	IPN: 205-00010-12	CABLE FLAT RIBBON 16 CORE GREY (MECH PART)

© TAIT ELECTRONICS
 TA122-03
 T700 600 OHM INTERFACE MIC I/P

IPN: 227-12203-02	ISSUE: 8	FILE DATE: 18-09-98
PROJECT: TA122-03	DESIGNER: B.H.V.	FILE NAME: A0122328

2.S.C. 1



TAIT ELECTRONICS	IPN:	ISS:	ID:	DATE:
	227-12203-02	A	1.TA	18 Sep 1997
TA122-03 PCB LAYOUT - TOP SIDE				

Scale:1.4:1 ; Rotation: 0 degrees