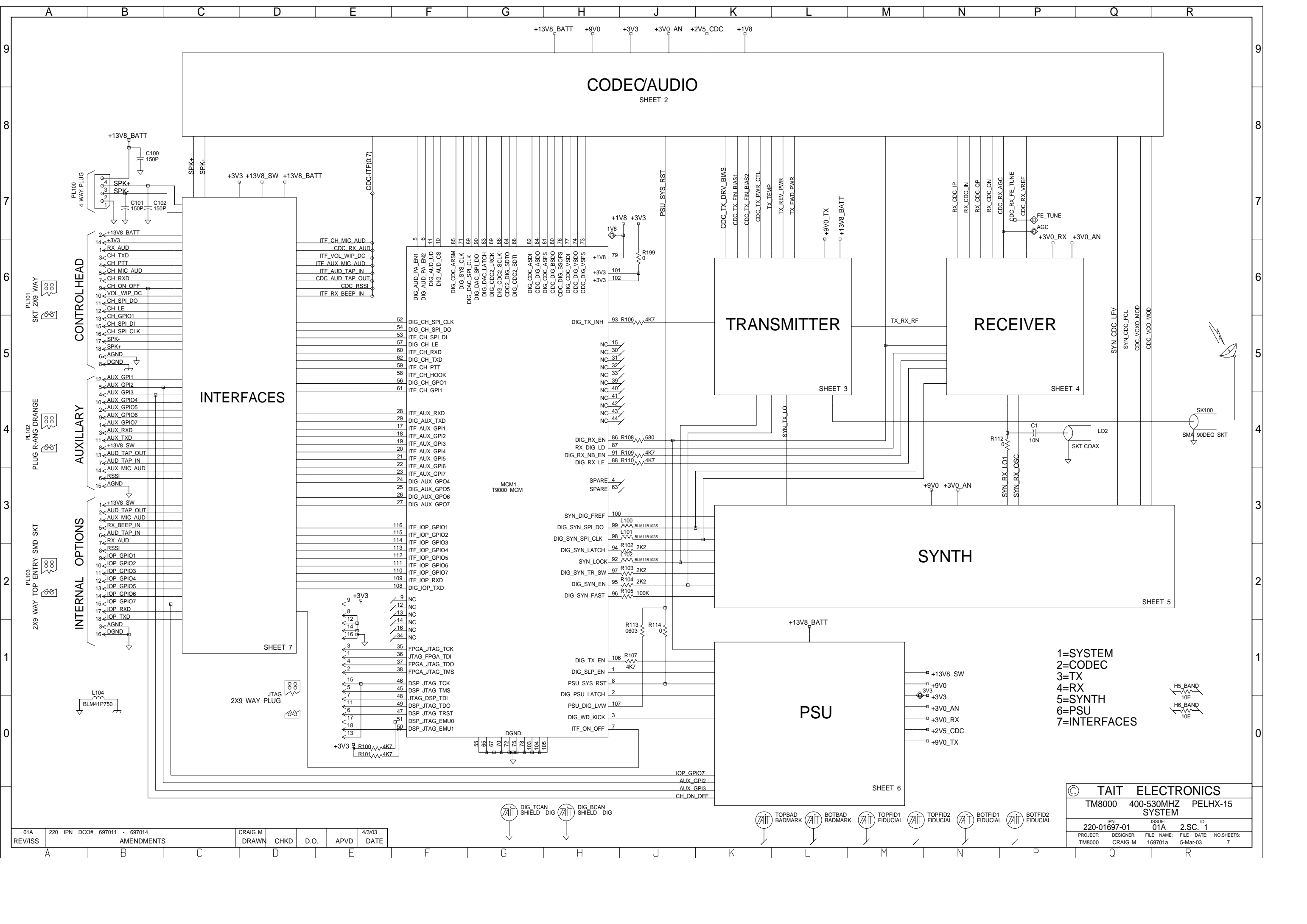


CODEC/AUDIO

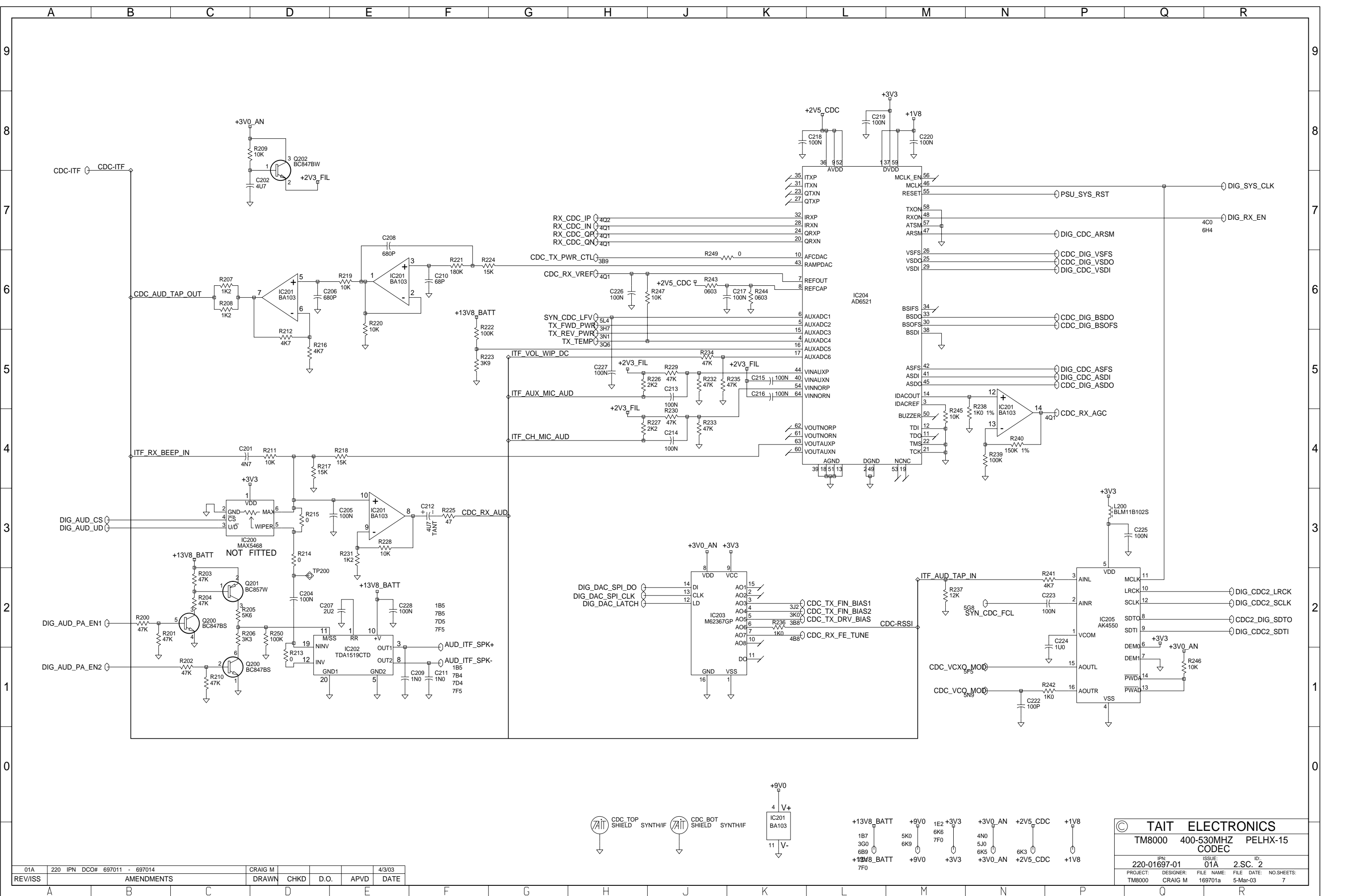
SHEET 2



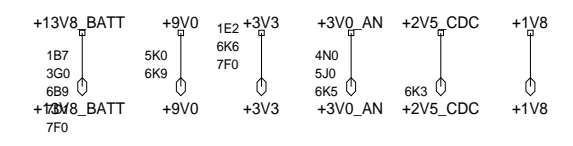
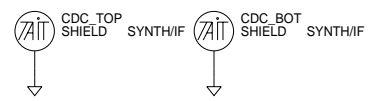
- 1=SYSTEM
- 2=CODEC
- 3=TX
- 4=RX
- 5=SYNTH
- 6=PSU
- 7=INTERFACES

© TAIT ELECTRONICS
 TM8000 400-530MHZ PELHX-15 SYSTEM
 IPN: 220-01697-01 ISSUE: 01A ID: 2.S.C. 1
 PROJECT: TM8000 DESIGNER: CRAIG M FILE NAME: 169701a DATE: 5-Mar-03 NO.SHEETS: 7

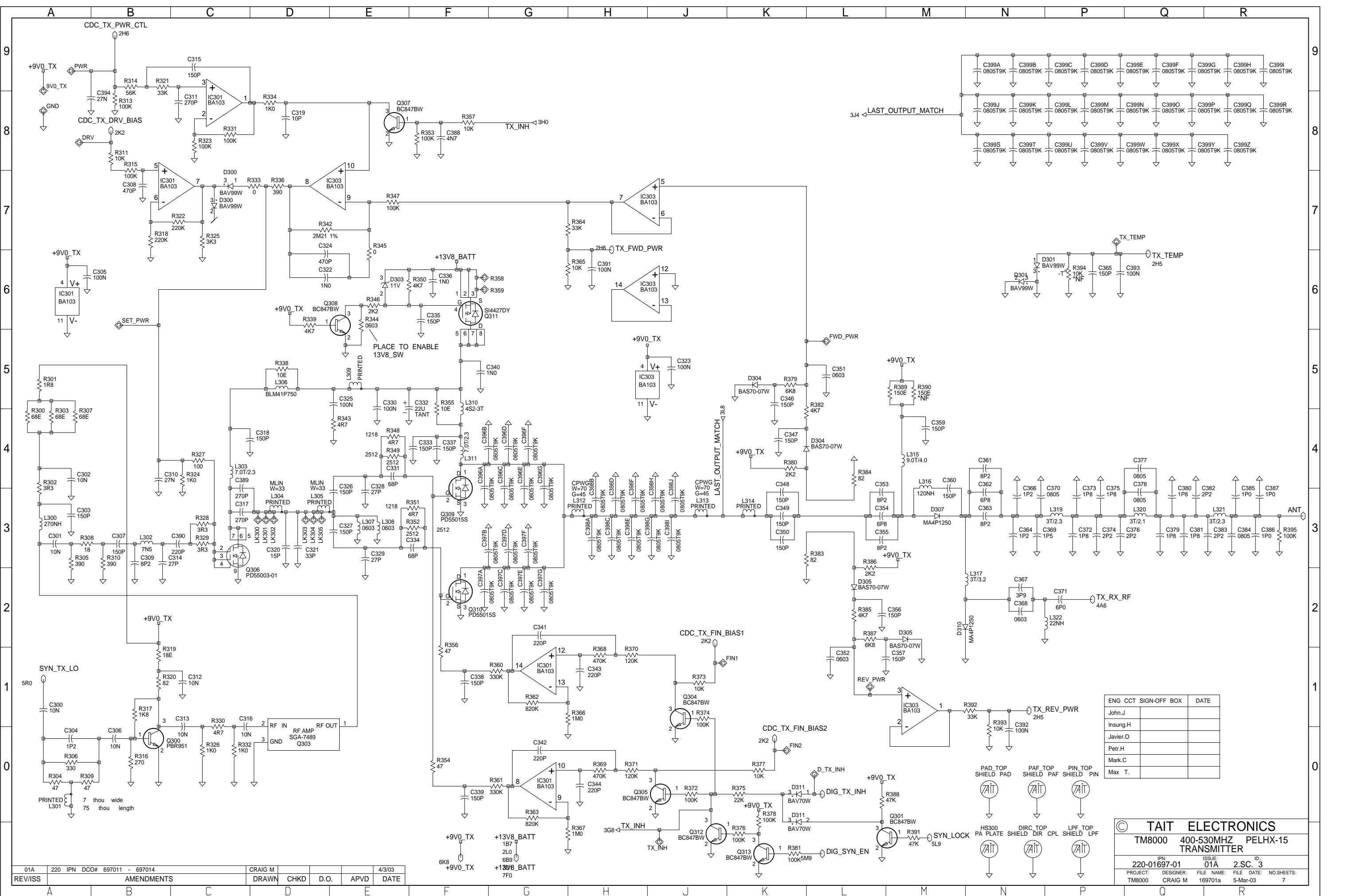
01A	220	IPN	DCO#	697011	-	697014	CRAIG M	4/3/03			
REV/ISS	AMENDMENTS						DRAWN	CHKD	D.O.	APVD	DATE



01A	220	IPN	DCO#	697011	-	697014	CRAIG M				4/3/03
REV/ISS	AMENDMENTS						DRAWN	CHKD	D.O.	APVD	DATE



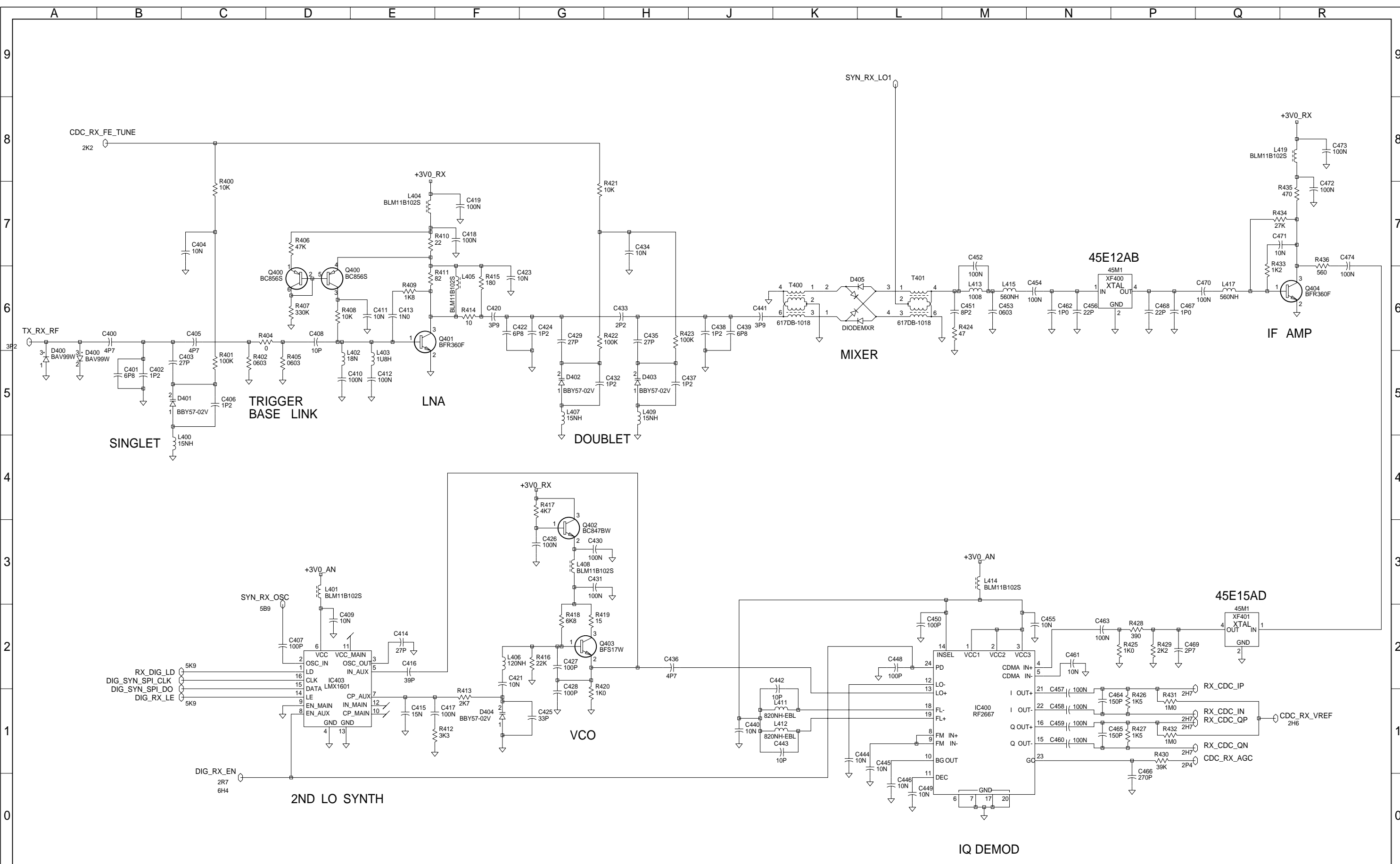
© TAIT ELECTRONICS
 TM8000 400-530MHZ PELHX-15 CODEC
 IPN: 220-01697-01 ISSUE: 01A ID: 2.S.C. 2
 PROJECT: TM8000 DESIGNER: CRAIG M FILE NAME: 169701a FILE DATE: 5-Mar-03 NO.SHEETS: 7

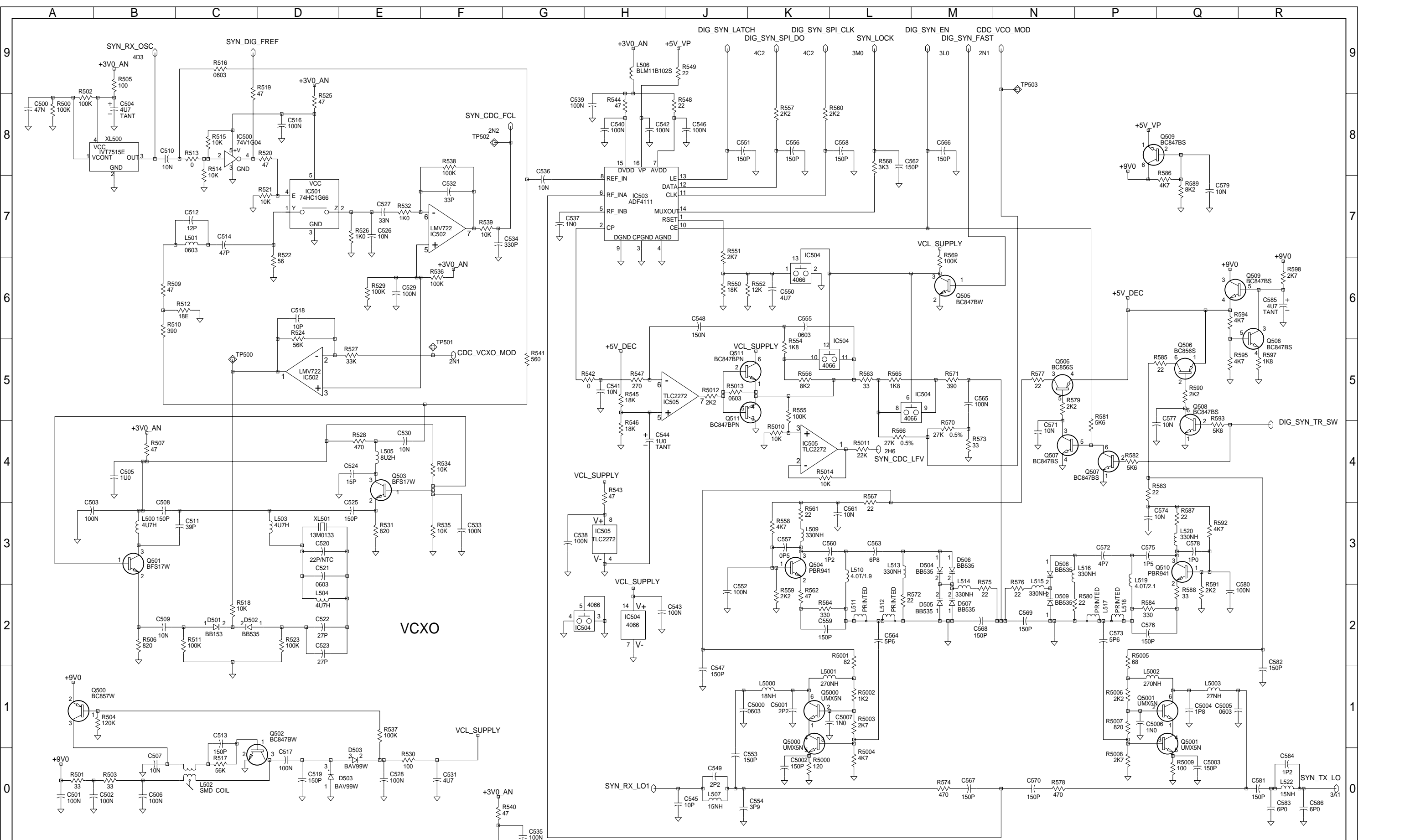


ENG	CCT	SIGN-OFF	BOX	DATE
John.J				
Insung.H				
Javier.O				
Petr.H				
Mark.C				
Max.T				

TAIT ELECTRONICS
 TM8000 400-530MHZ PELHX-15 TRANSMITTER
 IPN: 220-01697-01 ISSUE: 01A 2.SC. 3
 PROJECT: TM8000 DESIGNER: CRAIG M FILE NAME: 169701a FILE DATE: 5-Mar-03 NO.SHEETS: 7

01A	220	IPN	DCO#	697011 - 697014	CRAIG M					4/3/03
REV/ISS	AMENDMENTS				DRAWN	CHKD	D.O.	APVD	DATE	



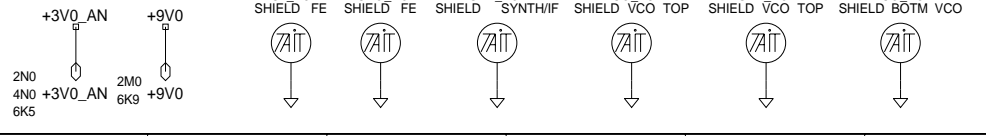


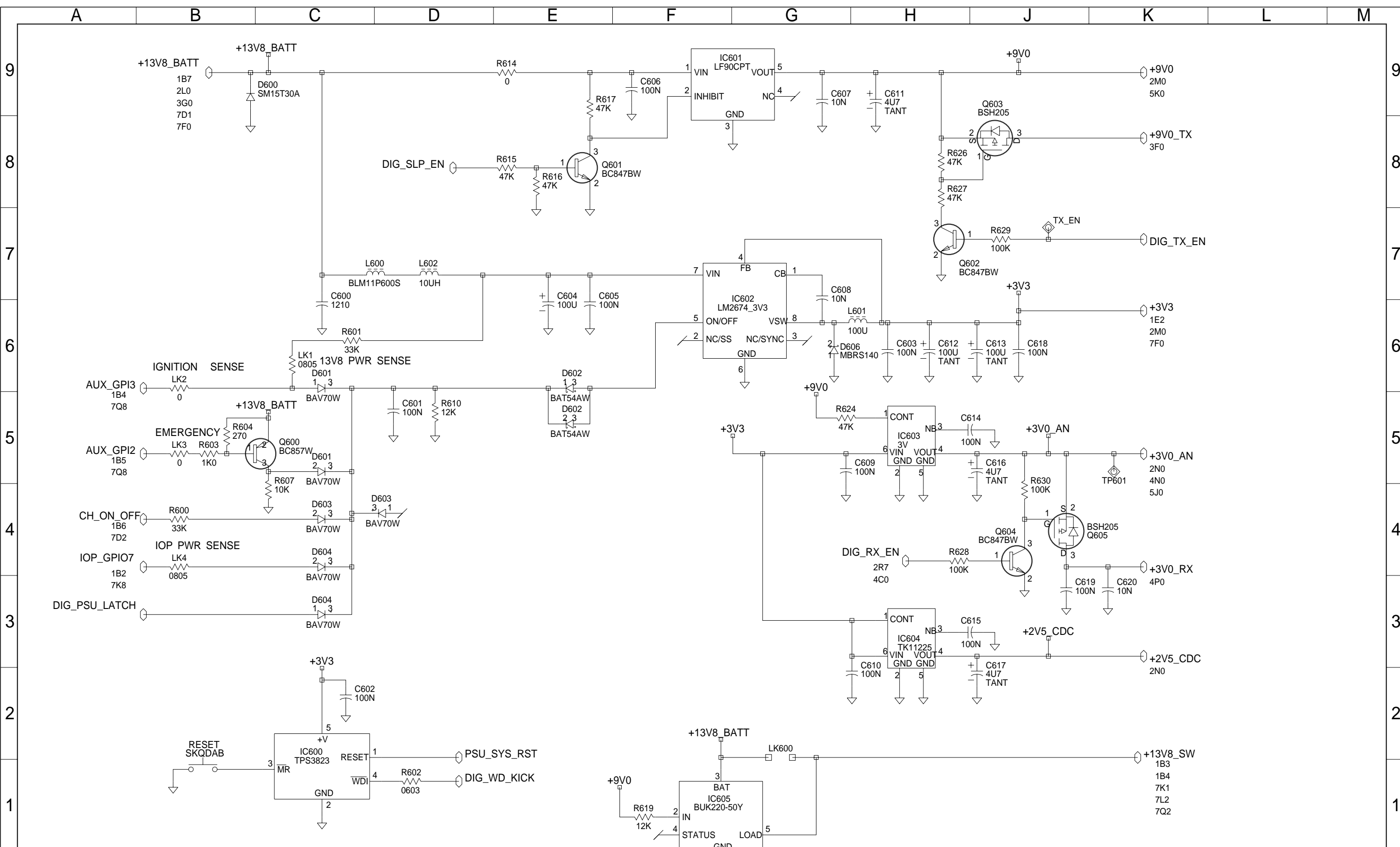
VCXO

© TAIT ELECTRONICS
 TM8000 400-530MHZ PELHX-15
 SYNTH & VCOS

IPN: 220-01697-01	ISSUE: 01A	ID: 2.S.C. 5
PROJECT: TM8000	DESIGNER: CRAIG M	FILE NAME: 169701a
DATE: 5-Mar-03	NO. SHEETS: 7	

01A	220	IPN	DCO#	697011 - 697014	CRAIG M				4/3/03
REV/ISS	AMENDMENTS				DRAWN	CHKD	D.O.	APVD	DATE

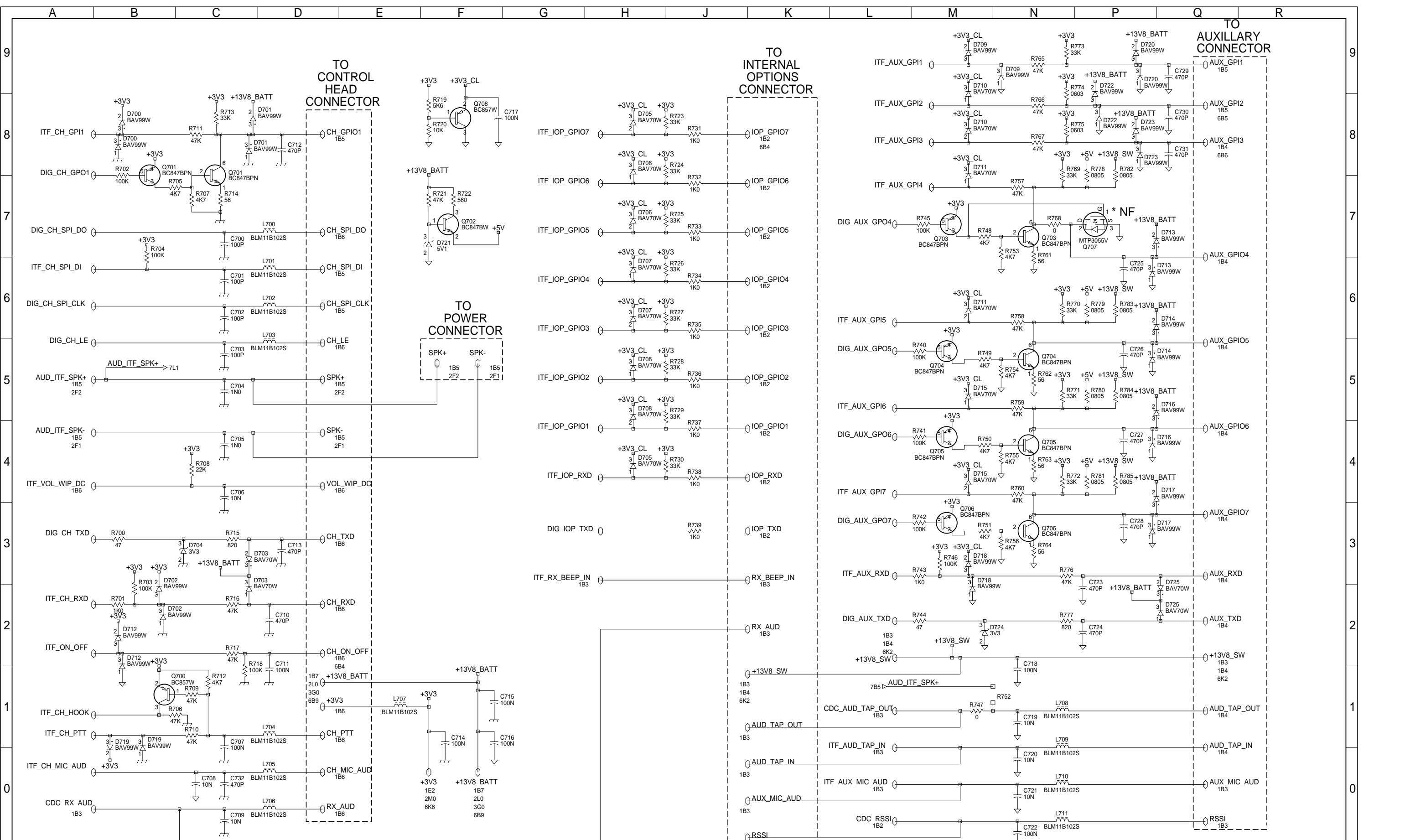




© TAIT ELECTRONICS
 TM8000 400-530MHZ PELHX-15
 POWERSUPPLY

IPN: 220-01697-01	ISSUE: 01A	ID: 2.SC. 6
PROJECT: TM8000	DESIGNER: CRAIG M	FILE NAME: 169701a
	FILE DATE: 5-Mar-03	NO.SHEETS: 7

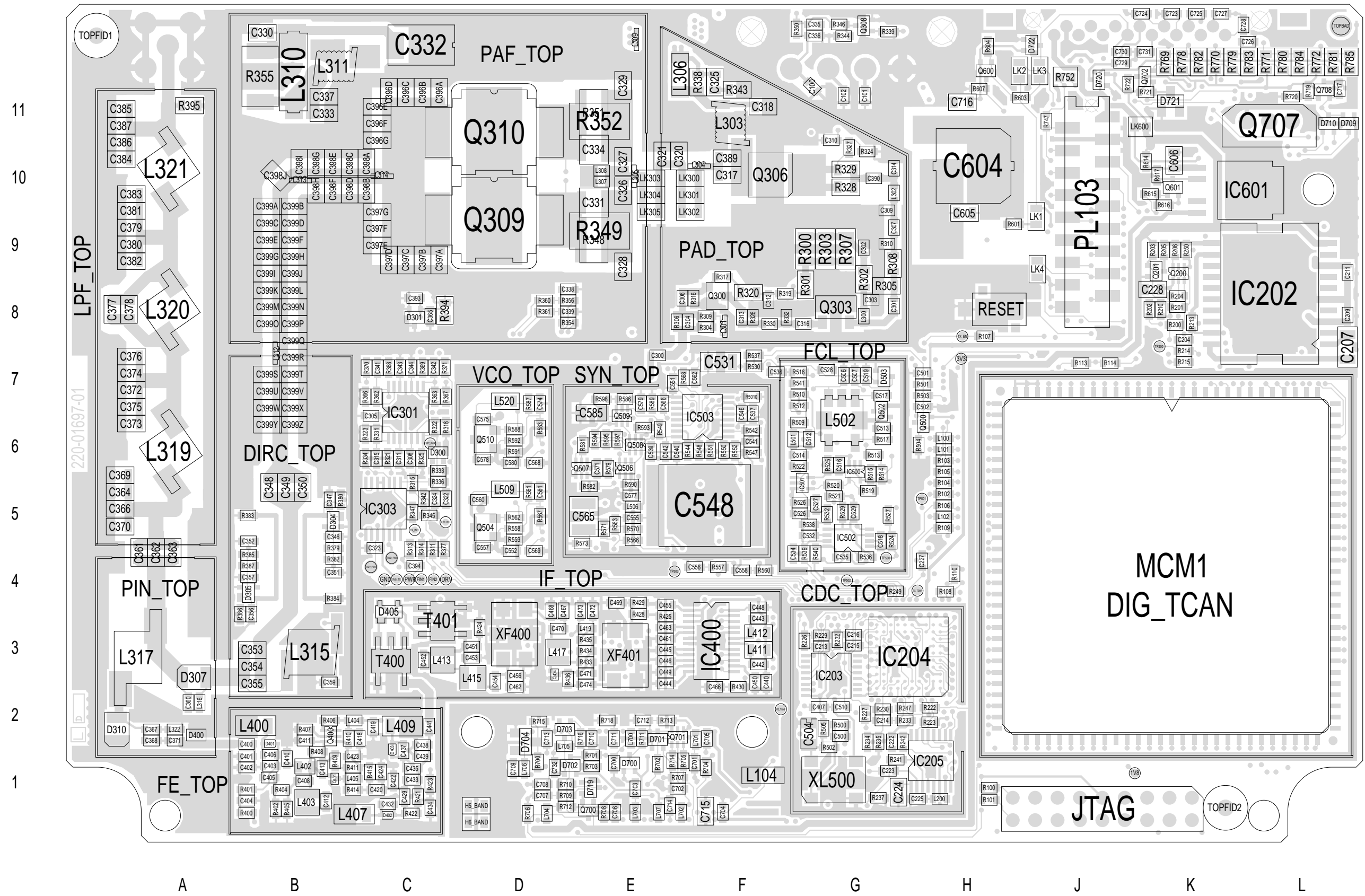
01A	220 IPN DCO# 697011 - 697014	CRAIG M				4/3/03
REV/ISS	AMENDMENTS	DRAWN	CHKD	D.O.	APVD	DATE



01A	220	IPN	DCO#	697011	-	697014	CRAIG M			4/3/03	
REV/ISS	AMENDMENTS						DRAWN	CHKD	D.O.	APVD	DATE

© TAIT ELECTRONICS
 TM8000 400-530MHZ PELHX-15 INTERFACES

IPN:	ISSUE:	ID:
220-01697-01	01A	2.SC. 7
PROJECT:	DESIGNER:	FILE NAME:
TM8000	CRAIG M	169701a
		FILE DATE:
		5-Mar-03
		NO.SHEETS:
		7



TAIT ELECTRONICS IPN: 220-01697-01 ISS: A ID: 1.TA DATE: 5 Mar 2003
 UHF PELHX-15 PCB LAYOUT - TOP SIDE

Scale: 2.2:1 ; Rotation: 0 degrees