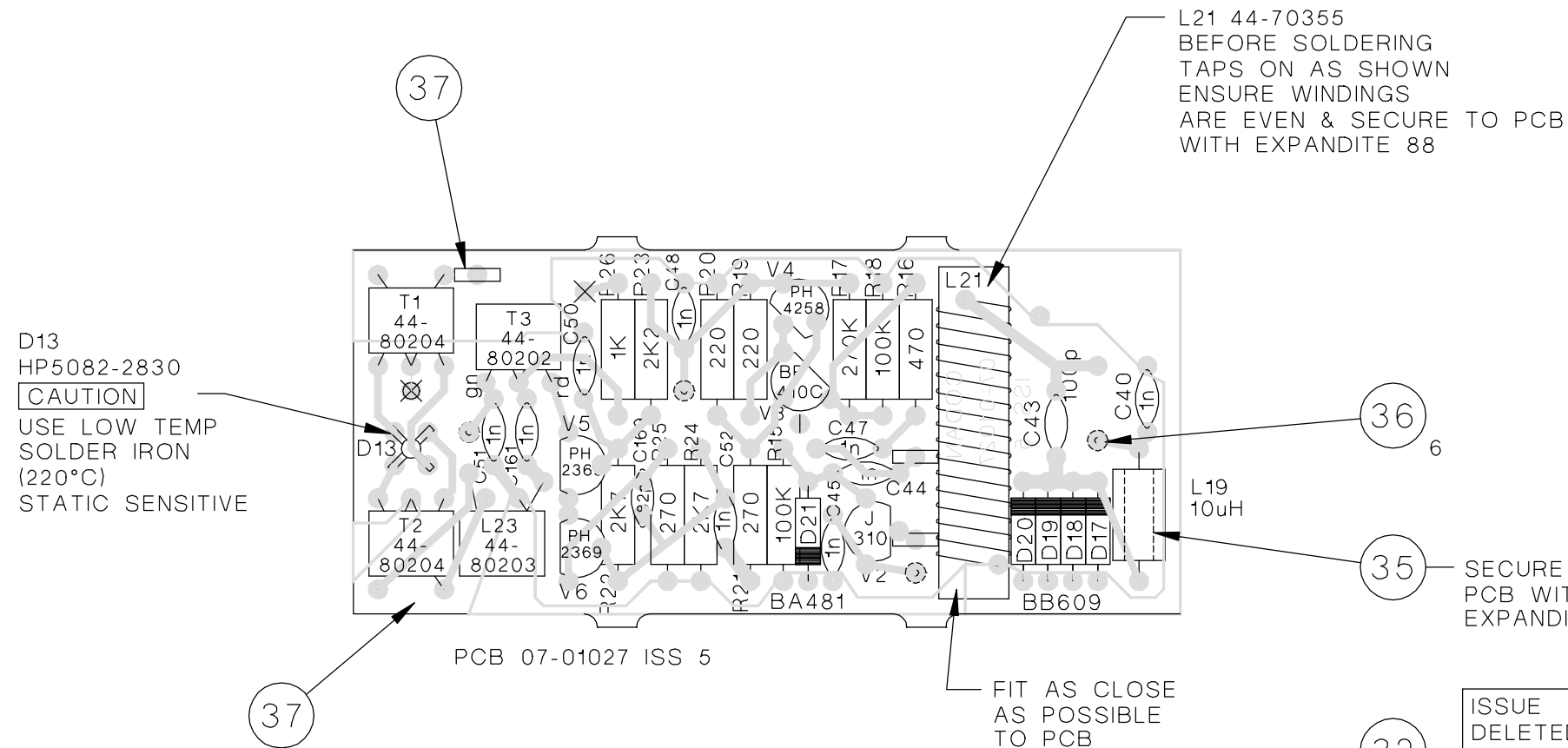
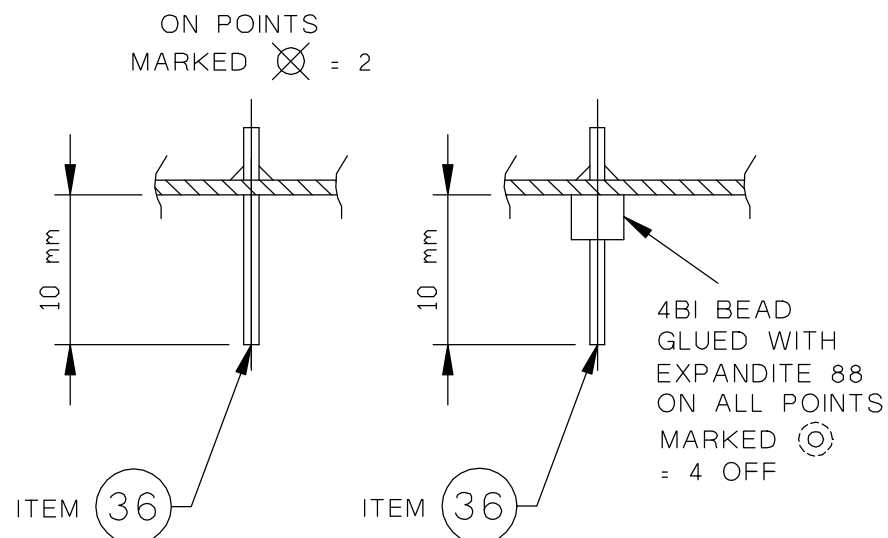
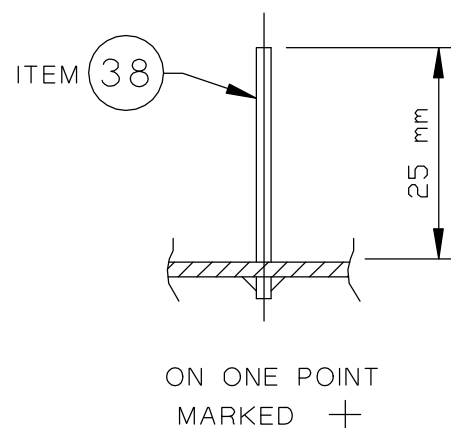


DO NOT SCALE



- NOTE:
- V2 IS 23-20006
  - 44-80202 - ye, bk, ye  
44-80203 - ye, rd, ye  
44-80204 - ye, gn, ye
  - SECURE T1, T2, T3, L23 & L19 TO PCB WITH EXPANDITE 88

SOLDER SEAMS ON BOTH SIDES OF SHIELDS



**WARNING**  
THIS ASSEMBLY CONTAINS  
ELECTRO-STATIC SENSITIVE DEVICES

B. 21080	
ISSUE 2 C/R 21257 7-4-87	NJA
ISSUE 3 SCREW BLOCK DELETED C/R 21289 10-6-87	NJA
ISSUE 4 C42 CHANGED C/R 21374 4-12-87	NJA
ISSUE 5 NOTE ADDED RE- SOLDER SEAMS C/R 21391 15-2-88	NJA
ISSUE 6 V2 WAS J310 C/R 21600 19-8-88	NJA
ISSUE 7 C169 ADDED C/R 21621 22-9-88	NJA
ISSUE 8 V2 CHANGED TO J310 C/R 21836 20-12-88	NJA
ISSUE 9 C169 DELETED C/R 21878 2-3-89	NJA
ISSUE 10 C169 ADDED R17 WAS 390K R19 WAS 180 R26 WAS 470 C43 WAS 56p C/R 21908 28-3-89	NJA
ISSUE 11 C42 CHANGED C/R 24423 15-11-95	CM
ISSUE 12 DELETED C42 C43 WAS 68p C/R 24741 28-11-96	NJA
FILE NAME	08\03098_12.DWG

	SCALE	2:1	© CODAN PTY LTD, A.C.N. 007 590 605: 1997 TITLE VCO1 & MIXER
	DATE	8-7-86	
MATERIAL	DRN	APJ	DRAWING/DOC NO.
	CHKD	NJA 18-8-86	
	APPD	NJA 30-10-86	ISS
FINISH	TOLERANCES UNLESS OTHERWISE STATED		
	2 PLACE DEC. 1 PLACE DEC. 0 PLACE DEC. ANGULAR		SHT. 1 OF 1