

ISSUE 11 CONT
 C79 REMOVED
 D46 ADDED
 C80 WAS 10p
 C/R 24741
 04-02-97 JB

ISSUE 12
 -001 & -002 P/No's
 ADDED,
 -002 DETAIL ADDED.
 C/R 25186
 17-12-97 PM

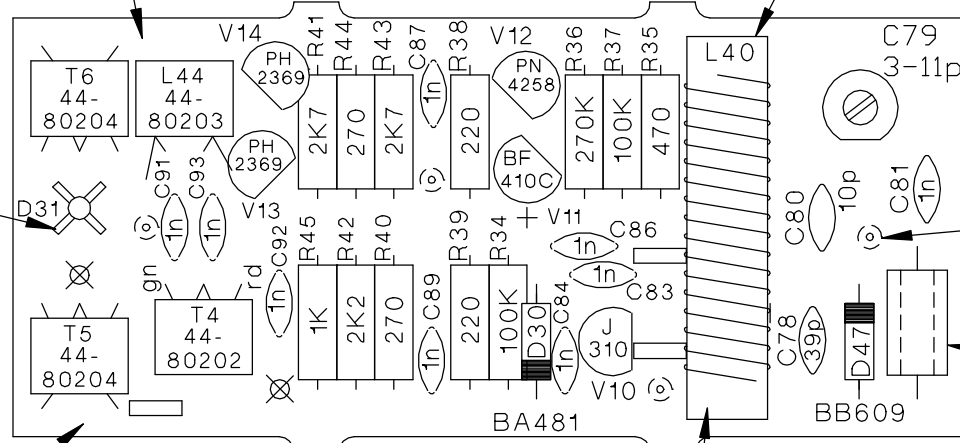
DO NOT SCALE

NOTE:

- V10 IS 23-20006
- 44-80202 - ye, bk, ye
 44-80203 - ye, rd, ye
 44-80204 - ye, gn, ye
- SECURE T4, T5, T6, L44
 & L38 TO PCB WITH
 EXPANDITE 88

D31
 HP5082-2830

CAUTION
 USE LOW TEMP
 SOLDER IRON
 (220°C)
 STATIC SENSITIVE



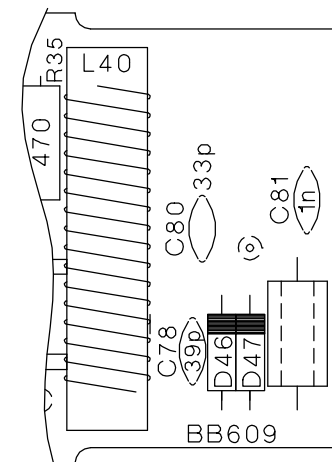
P/No 08-03099-001

PCB 07-01028 ISS 4

L40 44-70355
 BEFORE SOLDERING
 TAPS ON AS SHOWN
 ENSURE WINDINGS
 ARE EVEN & SECURE
 TO PCB WITH EXPANDITE 88

SECURE TO PCB
 WITH EXPANDITE 88

FIT AS CLOSE AS
 POSSIBLE TO PCB



P/No 08-03099-002
 ALL OTHER DETAIL
 AS PER -001.

47
 3

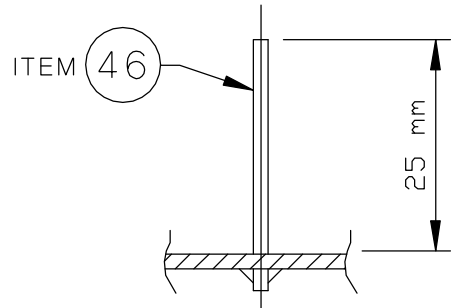
48
 6

44

43

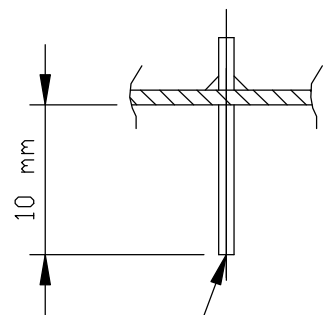
45

SOLDER SEAMS
 ON BOTH SIDES
 OF SHIELDS

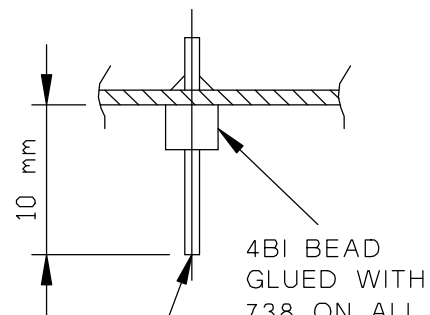


ON ONE POINT
 MARKED +

ON POINTS
 MARKED ⊗ = 2 OFF



ITEM 48



ITEM 48

4BI BEAD
 GLUED WITH
 738 ON ALL
 POINTS
 MARKED ⊙
 = 4 OFF

WARNING

THIS ASSEMBLY CONTAINS
 ELECTRO-STATIC SENSITIVE DEVICES

- B. 21080
- ISSUE 2
 ITEM No'S CHANGED
 RTV CHANGED
 C/R 21257
 9-4-87 NJA
- ISSUE 3
 SCREW BLOCK
 DELETED
 C/R 21289
 10-6-87 NJA
- ISSUE 4
 PCB WAS ISS 1
 HOLES ADDED
 TO ACCOMMODATE
 CAP TYPE CHANGE
 C78 & C80
 C/R 21339
 29-8-87 NJA
- ISSUE 5
 C79 WAS 2-5p
 C/R 21374
 14-12-87 NJA
- ISSUE 6
 NOTE ADDED
 RE-SOLDER SEAMS
 C/R 21391
 15-2-88 NJA
- ISSUE 7
 V10 WAS J310
 C/R 21600
 19-8-88 NJA
- ISSUE 8
 V10 CHANGED
 TO J310
 C/R 21836
 20-12-88 NJA
- ISSUE 9
 R36 WAS 390K
 R38 WAS 180
 R45 WAS 470
 C/R 21908
 28-3-89 NJA
- ISSUE 10
 C79 CHANGED
 C/R 24423
 15-11-95 NJA
- ISSUE 11
 PCB NOW ISS 4
 C/R 24741
 28-11-96 JB

FILE NAME
 08\03099A12.1.DWG

	SCALE 2:1	© CODAN PTY LTD, A.C.N. 007 590 605: 1997	
	DATE 7-7-86	TITLE VCO2 & MIXER	
MATERIAL	DRN APJ	DRAWING/DOC NO. 08-03099	
FINISH	CHKD NJA 18-8-86	TOLERANCES UNLESS OTHERWISE STATED 2 PLACES DEC. 1 PLACE DEC. 0 PLACE DEC. ANGULAR	ISS 11 12
	APPD NJA 30-10-86		