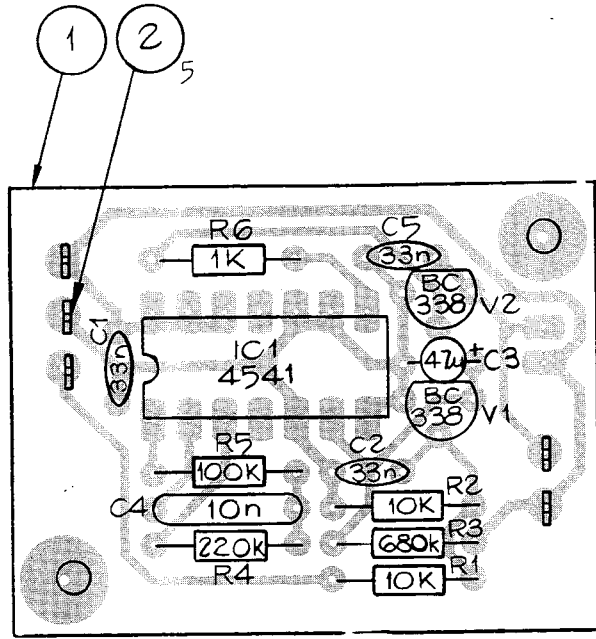



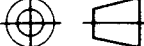
DO NOT SCALE

ISSUE B
R4 VALUE
CHGD FROM
200K
CAN 21697
24-11-88
7/6

ISSUE 2
C3 WAS 2u2
R3 WAS 470K
CIR 23584
24-2-93
M



PCB 07-01113 155.2

 CODAN			SCALE	TITLE PCB FAN CONTROLLER	COPYRIGHT © CODAN 19							
	DRN.	O.R.	DATE									
MATERIAL	CHKD.	<i>MJA</i>	11-10-88									
	APPD.	<i>MJA</i>	14-9-89									
FINISH	TOLERANCES UNLESS OTHERWISE STATED			A4	DRAWING/DOC NO.							
	2 PLACES DEC ± 1 PLACE DEC ± ANGULAR ±				08-03334							
				ISS	1	2					SHT	1
											OF	1