

DO NOT SCALE

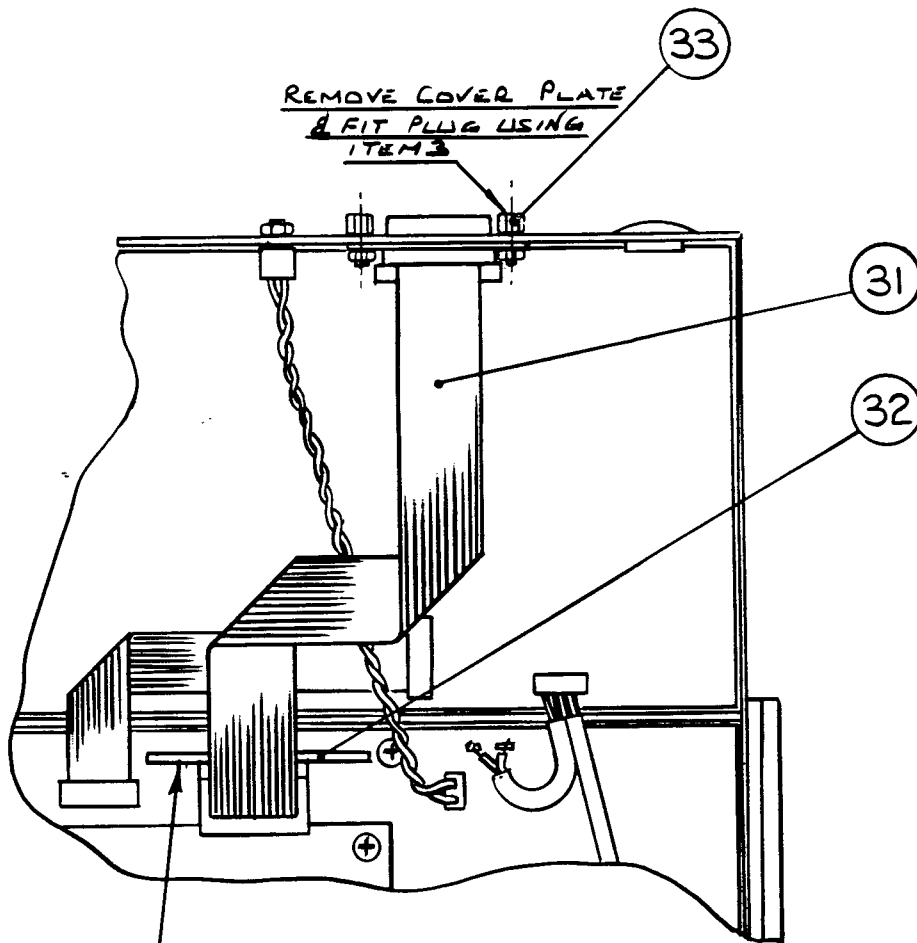
B. 21140

ISSUE 2




ITEM Nos CHANGED

C/R 21257

9-4-87 *MM*



LOCATE & SOLDER PCB ITEM 2  
IN POSITION SHOWN.

 <b>CODAN</b>	 		SCALE NTS	COPYRIGHT © CODAN 19 <b>TITLE</b> <u>OPTION R</u>	
	DRN. <i>BLW</i>	DATE 16-5-86	SCALE NTS		
<b>MATERIAL</b> _____	CHKD. <i>MM</i>	DATE 5-6-86	<b>DRAWING/DOC NO.</b> <b>A4 15-10272-001</b>		
<b>FINISH</b> _____	APPD. <i>MM</i>	DATE 30-10-86			
<b>TOLERANCES UNLESS OTHERWISE STATED</b>			ISS 1 2	SHT / OF 1	
2 PLACES DEC ± 1 PLACE DEC ± ANGULAR ±					