
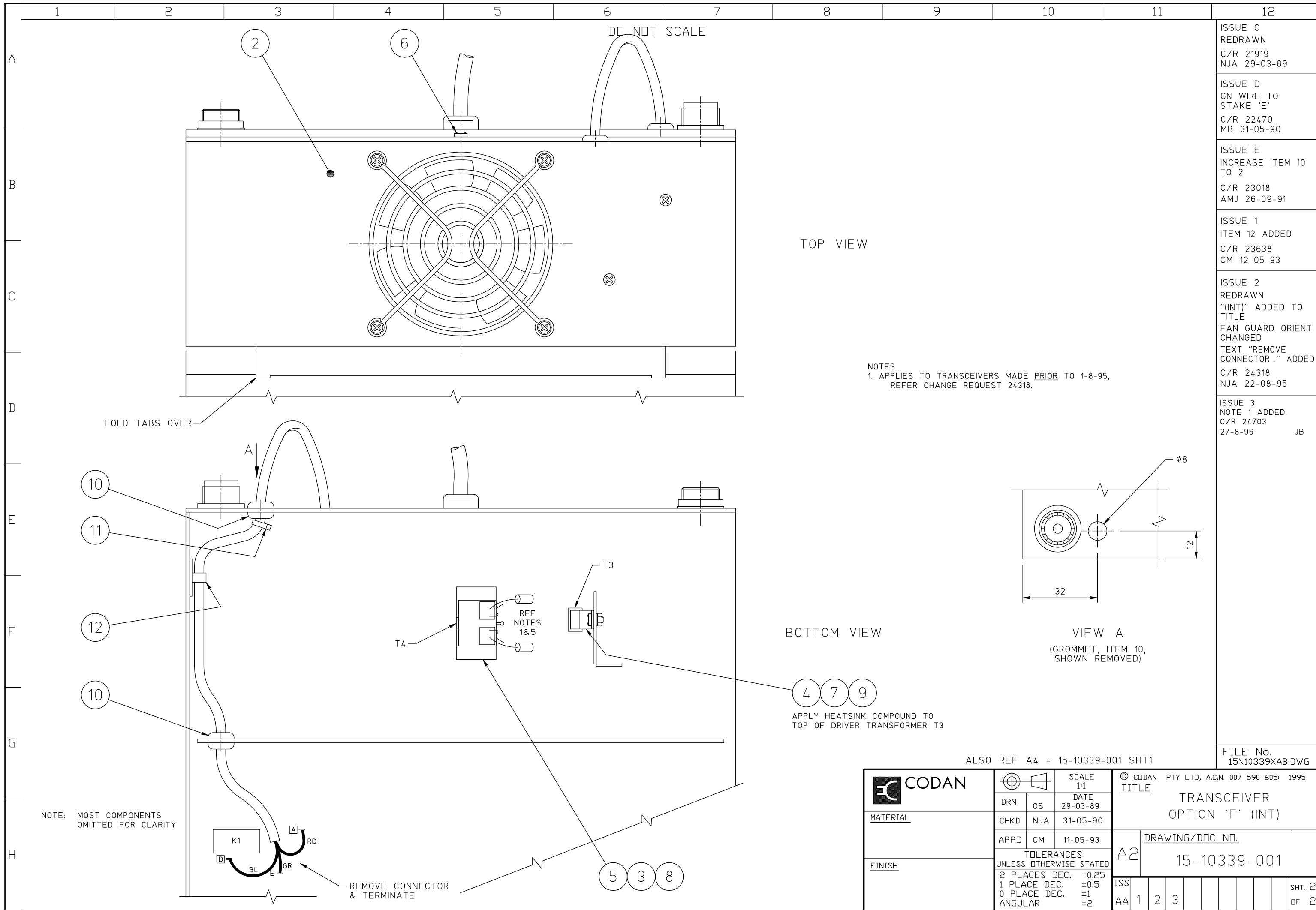


FITTING INSTRUCTIONS TRANSCEIVER - OPTION F

(PA ASSEMBLY 08-03743 SERIES)

1. Obtain unfinished PA from current production batch and proceed to fit fan option as follows.
2. Secure existing resistor MTG PCB to top of O/P transformer heatsink with silastic and terminate 2 wires from T4 to PCB.
3. Drill out blind holes beneath T4 in PA heatsink $\varnothing 3.0$ (through PCB) and remove all swarf.
4. Apply heatsink compound to fully line inside surface of O/P transformer heatsink (3).
5. Fit O/P transformer (5) T4 to heatsink (3), with MTG base on underside of s/assy.
6. Place O/P transformer s/assy in position and trim wires to suit ensuring centre wire is long enough to just go through PA PCB and doesn't touch PA heatsink.
7. Remove s/assy and apply heatsink compound to base and secure to PA heatsink with screw (8).
8. Terminate wires to PA PCB and terminate 2 wire from T4 to resistor PCB.
9. Remove diode D15 for 100 watt CW operation (60 watts CW when fitted)
10. Apply heatsink compound to top of driver heatsink bracket (4).
11. Fit driver heatsink bracket (4) using screw and nut (7) and (9) ensuring bracket is placed squarely and firmly on top of T3.
12. Drill hole $\varnothing 8.0$ in rear panel as shown and fit grommet.
13. Fit fan/cover assembly (2) to top of PA heatsink using screw (6) and folding tabs over heatsink flange. Fit grommet to screen.
14. Fit cable through rear panel and screen.
15. Fit cable clamp and route cable as shown, fit cable tie, remove connector (leaving long leads) and solder ends as shown.

 CODAN	TRANSCEIVER OPTION F			DRG 15-10339-001	ISS 3	SHT 1 OF 2
	ORIG OS	DATE 11/4/89	CHKD	DATE 13/4/89	APPD CM	DATE 11/5/93



ISSUE C
REDRAWN
C/R 21919
NJA 29-03-89

ISSUE D
GN WIRE TO
STAKE 'E'
C/R 22470
MB 31-05-90

ISSUE E
INCREASE ITEM 10
TO 2
C/R 23018
AMJ 26-09-91

ISSUE 1
ITEM 12 ADDED
C/R 23638
CM 12-05-93

ISSUE 2
REDRAWN
"(INT)" ADDED TO
TITLE
FAN GUARD ORIENT.
CHANGED
TEXT "REMOVE
CONNECTOR..." ADDED
C/R 24318
NJA 22-08-95

ISSUE 3
NOTE 1 ADDED.
C/R 24703
27-8-96 JB

NOTES
1. APPLIES TO TRANSCEIVERS MADE PRIOR TO 1-8-95,
REFER CHANGE REQUEST 24318.

		SCALE 1:1		© CODAN PTY LTD, AC.N. 007 590 605 1995	
		DRN	OS	DATE 29-03-89	
MATERIAL		CHKD	NJA	31-05-90	
		APPD	CM	11-05-93	
FINISH		TOLERANCES UNLESS OTHERWISE STATED			
		2 PLACES DEC.		±0.25	
		1 PLACE DEC.		±0.5	
		0 PLACE DEC.		±1	
		ANGULAR		±2	
		ISS		TITLE	
		AA		TRANSCEIVER OPTION 'F' (INT)	
		1 2 3		DRAWING/DOC NO.	
				15-10339-001	
				SHT. 2 OF 2	