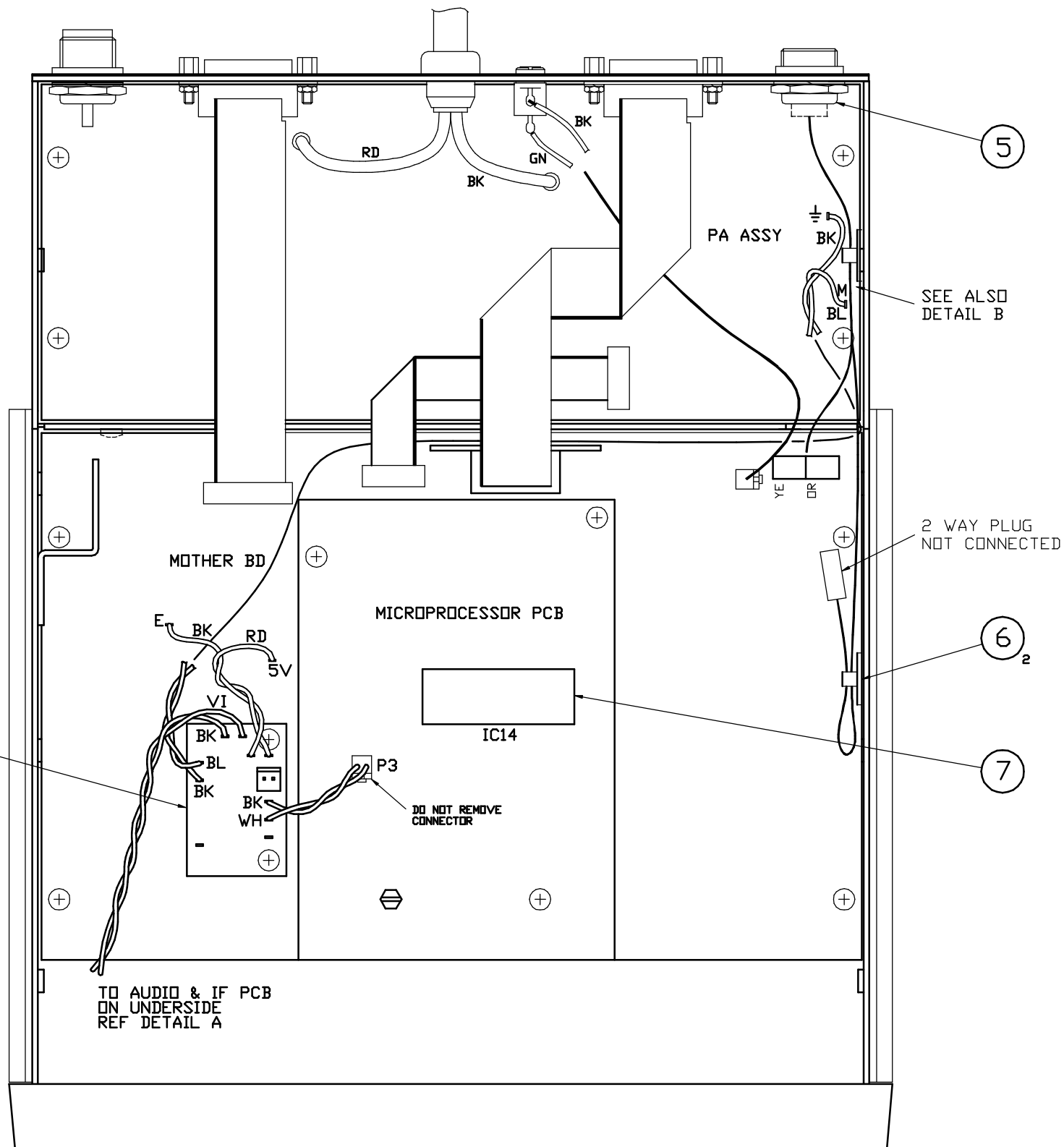
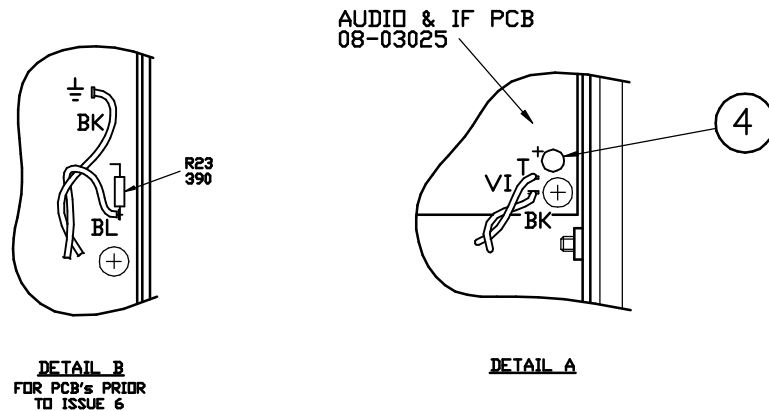


REF	DESCRIPTION	QTY
1	OPTION DM PCB ASSY 08-05041	1
2	SPACER 05-03312-090	2
3	SCREW M3x5 PAN POZI	4
4	CAPACITOR 10uF/25V TAG	1
5	LOOM, 10 WAY 08-05091	1
6	CLAMP, CABLE ADHESIVE BACKED 30-05102-001	2



ISSUE B  
ITEMS 5, 6, 7  
ADDED,  
NOTES 8, 9 & OPT  
'PS' ADDED.  
C/R 23930  
30-5-94

ISSUE C  
ITEM 6 QTY WAS 1  
C/R 24101  
30-11-94 CM

ISSUE 2  
P3 NOTE ADDED,  
ADDITION TO  
NOTE 4,  
SHT 2 ADDED.  
C/R 24319  
14-8-95 NJA

ISSUE 3  
DETAIL B ADDED,  
S/No NOTE ADDED,  
NOTE 7 CHANGED,  
MINOR NOTE  
CHANGES.  
C/R 24533  
8-3-96 CM

**IMPORTANT**

SHT1 APPLIES ONLY TO 8528 TRANSCEIVERS WITH S/No's LOWER THAN B13000, 8528S LOWER THAN B4000 & 8528 INTERNATIONAL LOWER THAN K3000.

OPTION 'PS' COMPONENTS MUST BE FITTED TO MOTHERBOARD  
OPTION 'PS' LOOM SHOULD BE DISCARDED IF FITTED.

**NOTES**

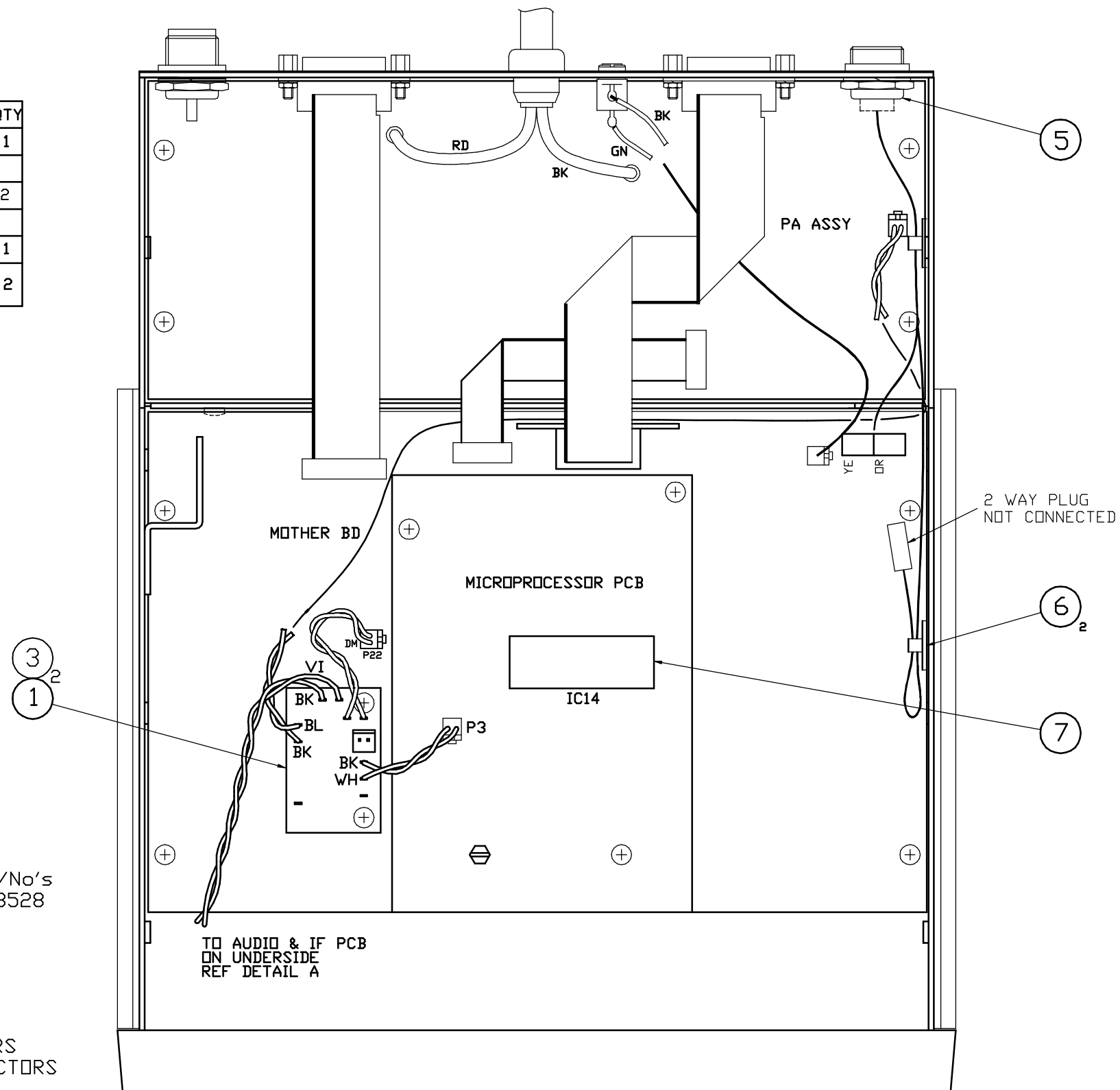
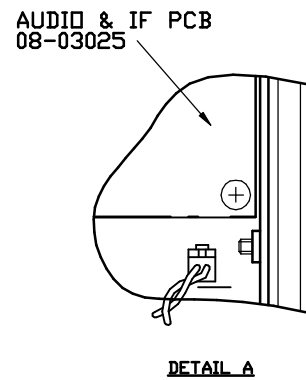
1. REMOVE AUDIO & IF PCB 08-03025.
2. FIT 2 SPACERS (ITEM 2) USING 2 M3x5 SCREWS (ITEM 3) TO MOTHER BD.
3. REPLACE AUDIO & IF PCB.
4. FIT 'OPTION DM' PCB (ITEM 1) TO SPACERS USING 2 M3x5 SCREWS (ITEM 3). CUT OFF UNWANTED CONNECTORS.
5. SOLDER WIRES AS DETAILED & FIT 2 WAY CONNECTOR TO P3 ON MICROPROCESSOR PCB.
6. IF 'OPTION AD' IS FITTED:-  
REMOVE PCB ASSY TO SOLDER rd & bk WIRES TO MOTHER BD & THEN REFIT PCB.  
REMOVE IT'S 2 WAY CONNECTOR FROM THE uP PCB & FIT ONTO 'OPTION DM' PCB & THEN FIT 'OPTION DM' CONNECTOR TO uP BD P3.
7. CHANGE C57 1uF ON AUDIO & IF PCB TO 10uF (ITEM 4).
8. FIT 10 WAY CONNECTOR & LOOM (ITEM 5) & ATTACH WITH CLAMP (ITEM 6) AS SHOWN.
9. ENSURE EPROM (ITEM 7) IS AT LEAST ISSUE 5.0.

DISC FILE

P/No 15-10411-001 - AS DETAILED

	DRN	DB	SCALE 1:1	© CODAN PTY LTD, A.C.N. 007 590 605 1993	
	CHKD	NJA	DATE 28-10-93	TITLE OPTION DM FITTING INSTRUCTIONS	
	APPD	CM	DATE 30-11-94	DRAWING/DOC NO. A3 15-10411-001	
FINISH	TOLERANCES UNLESS OTHERWISE STATED 2 PLACES DEC. ±0.25 1 PLACE DEC. ±0.5 ANGULAR ±			ISS	SHT. 1 OF 2
	2	3			

REF	DESCRIPTION	QTY
1	OPTION DM PCB ASSY 08-05041	1
2	N/A	
3	SCREW M3x5 PAN PDZI	2
4	N/A	
5	LOOM, 10 WAY 08-05091	1
6	CLAMP, CABLE ADHESIVE BACKED 30-05102-001	2



ISSUE B  
REF SHT 1

ISSUE C  
REF SHT 1

ISSUE 2  
REF SHT1  
SHT 2 ADDED.  
C/R 24319  
14-8-95 CM

ISSUE 3  
S/No NOTE ADDED,  
MINOR NOTE  
CHANGES.  
C/R 24533  
8-3-96 CM

**IMPORTANT**

SHT2 APPLIES ONLY TO 8528 TRANSCEIVERS WITH S/No's HIGHER THAN B12999, 8528S HIGHER THAN B3999 & 8528 INTERNATIONAL HIGHER THAN K2999.

OPTION 'PS' LOOM SHOULD BE DISCARDED IF FITTED.

**NOTES**

1. FIT 'OPTION DM' PCB (ITEM 1) TO EXISTING SPACERS USING 2 M3x5 SCREWS (ITEM 3) & FIT TO CONNECTORS AS SHOWN.
2. IF 'OPTION AD' IS FITTED:- REMOVE IT'S 2 WAY CONNECTOR FROM THE uP PCB & FIT ONTO 'OPTION DM' PCB & THEN FIT 'OPTION DM' CONNECTOR TO uP BD P3.
3. FIT 10 WAY CONNECTOR & LOOM (ITEM 5) & ATTACH WITH CLAMP (ITEM 6) AS SHOWN.
4. ENSURE EPROM (ITEM 7) IS AT LEAST ISSUE 5.0.

TO AUDIO & IF PCB  
ON UNDERSIDE  
REF DETAIL A

P/No 15-10411-001 - AS DETAILED

DISC FILE  
10411\_2

	DRN	DB	SCALE 1:1	© CODAN PTY LTD, A.C.N. 007 590 605 1993	
	CHKD	NJA	DATE 11-8-95	TITLE OPTION DM FITTING INSTRUCTIONS	
	APPD	CM	DATE 19-8-95	DRAWING/DOC NO. 15-10411-001	
FINISH	TOLERANCES UNLESS OTHERWISE STATED 2 PLACES DEC. ± 0.25 1 PLACE DEC. ± 0.5 ANGULAR ±			A3	ISS
	2	3			SHT. 2 OF 2