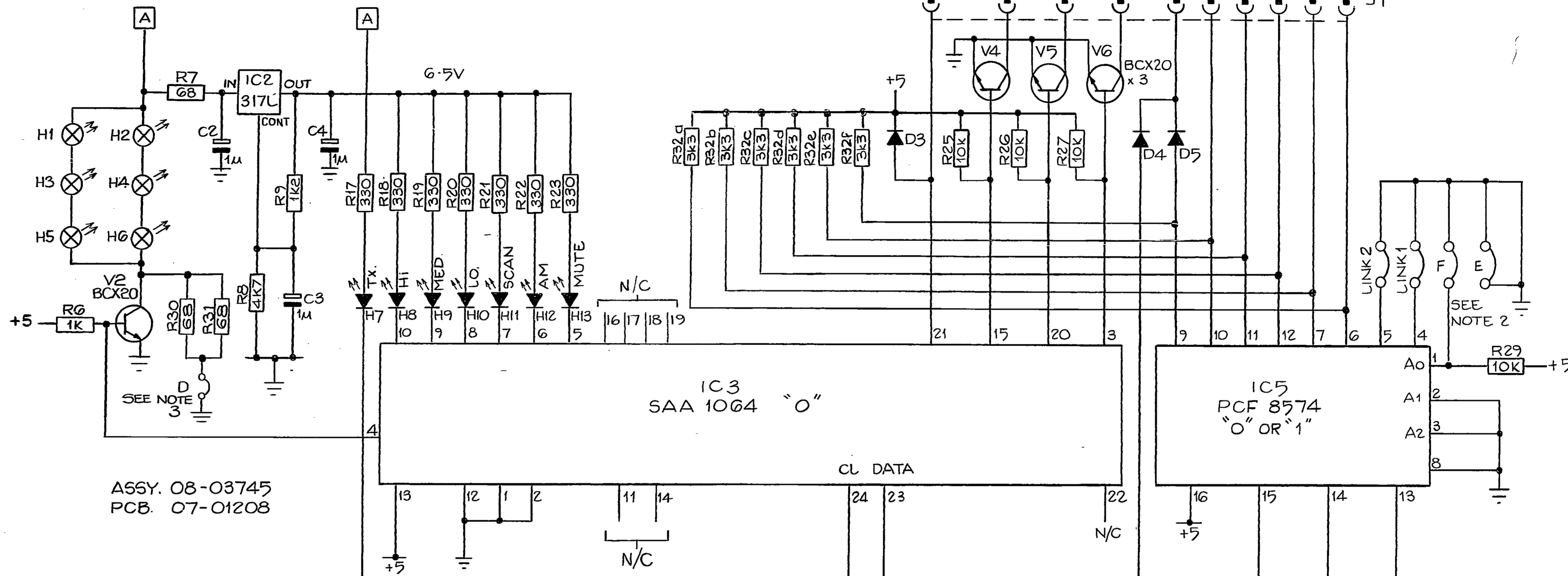


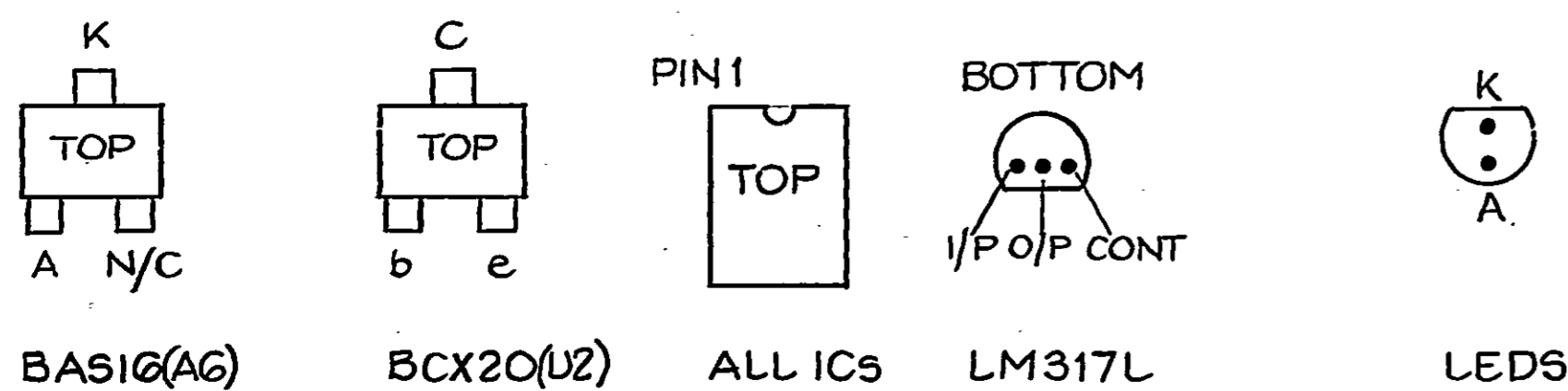
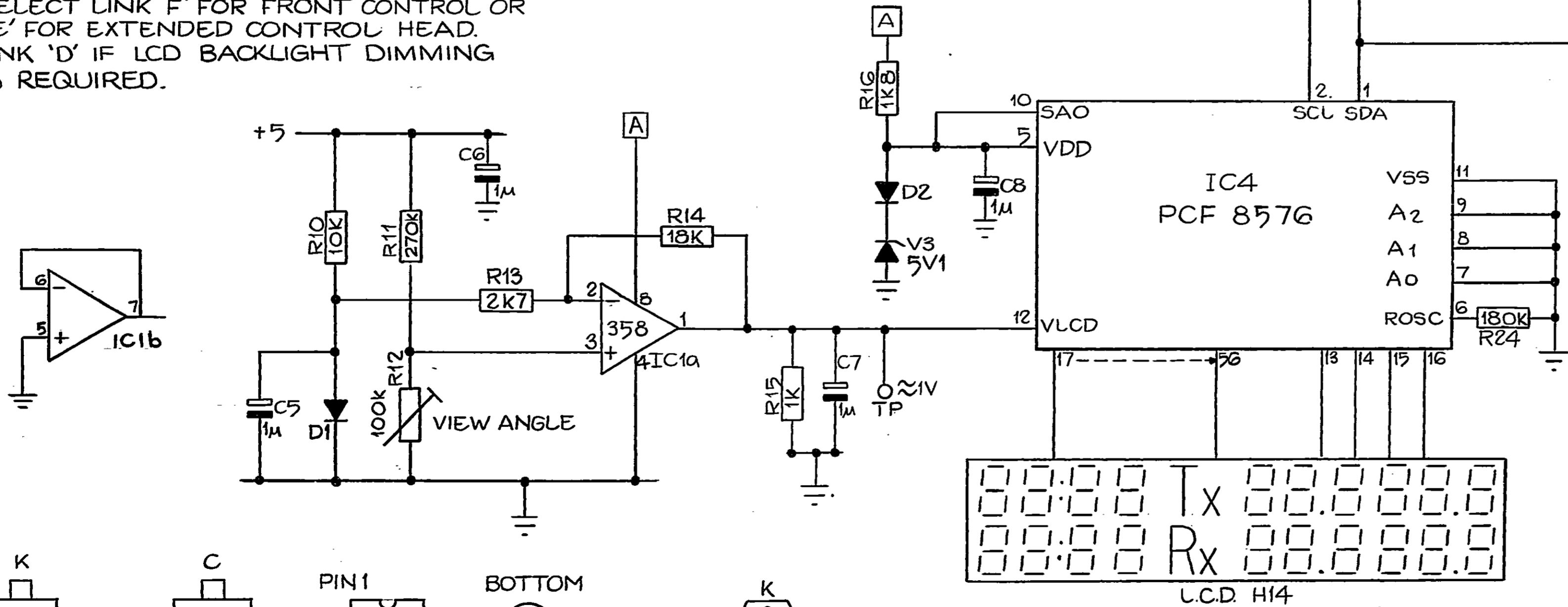
DO NOT SCALE

KEY PAD



ASSY. 08-03745
PCB. 07-01208

- NOTE:-
1. ALL DIODES BAS 10 OR EQUIV.
 2. SELECT LINK 'F' FOR FRONT CONTROL OR 'E' FOR EXTENDED CONTROL HEAD.
 3. LINK 'D' IF LCD BACKLIGHT DIMMING IS REQUIRED.



ISSUE B
R30 ADDED
C/R 21965
27-6-87

ISSUE C
R28 WAS 10K
C/R 22125
14-9-89

ISSUE 2
VI NOW OPTIONAL
C/R 22156
15-11-89

ISSUE 3
LINKS E&F TRANSPOSED
C/R 22253
20-12-85

ISSUE 4
C/R 22289
25.1.90
R9 WAS 1K

ISSUE 5
H2 WAS H4
H3 " H2
H4 " H5
H5 " H3

C/R 22903
8-5-91

ISSUE 6
R1, R2, R3, R4,
R5 # C1 DELETED
C/R 23589
4-3-93

ISSUE 7
R11 WAS 390K
IC1 PIN 8 WAS
+5V
C/R 24093
14-11-94

CODAN		SCALE	TITLE	COPYRIGHT © CODAN 1988	
DRN.	O.R.	DATE	DISPLAY BOARD, L.C.D.		
CHKD.		19-4-84			
APPD.		14-9-84	DRAWING/DOC NO.		
FINISH			A2 04-02454		
UNLESS OTHERWISE STATED			ISS		
2 PLACES DEC ±			1 2 3 A 5 6 7		
1 PLACE DEC ±			SHT		
ANGULAR ±			OF		