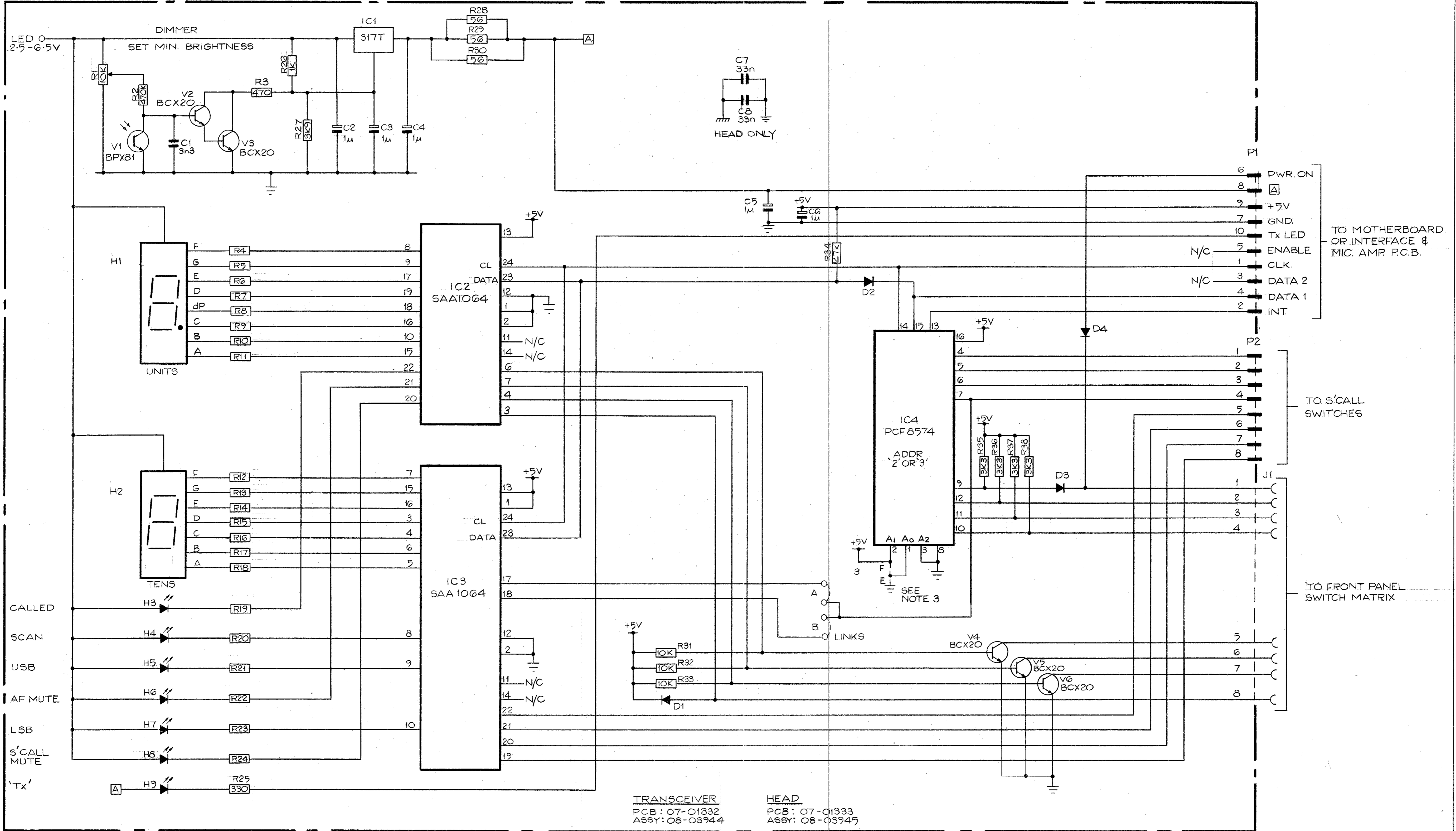


DO NOT SCALE

ISSUE 1
R24 WAS 4K7
CIR 22128
14-9-89

ISSUE 2
R28 WAS R25
R29 WAS R24
CIR 22538
27-8-90

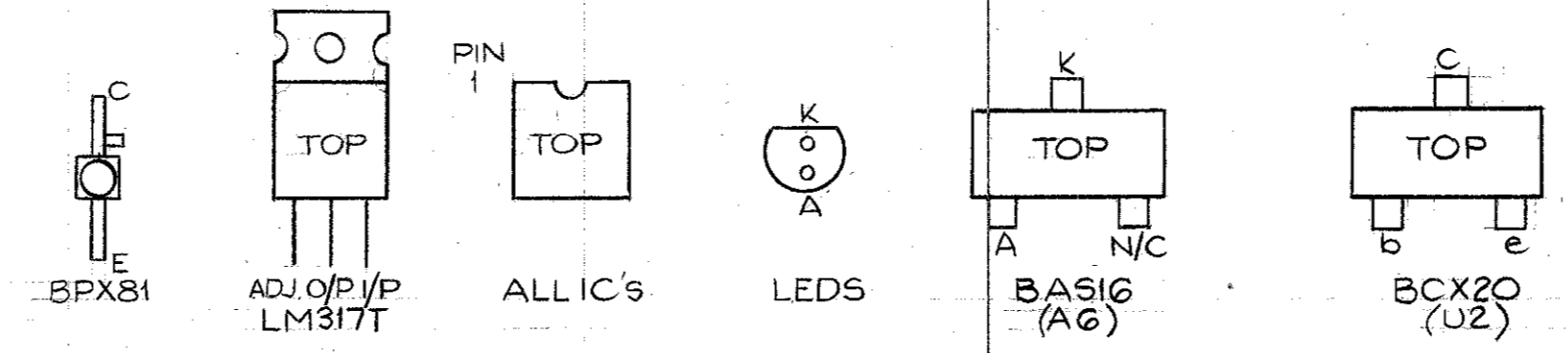
ISSUE 3
C7 AND C8
ADDED
CIR 23377
22-7-92



NOTES:
 1. ALL DIODES BAS 10(A6) UNLESS OTHERWISE STATED.
 2. R4 TO R24 470Ω.
 3. THE F CONNECTION IS MADE FOR TRANSCEIVERS.
 THE E CONNECTION IS MADE FOR CONTROL HEADS.

TRANSCEIVER
 PCB: 07-01332
 ASSY: 08-03944

HEAD
 PCB: 07-01333
 ASSY: 08-03945



CODAN	SCALE	DATE	TITLE	COPYRIGHT © CODAN 19
	DRN. O.S.	5-6-89	DISPLAY BOARD	
	CHKD. M	1-9-89	DRAWING/DOC NO.	
	APPD. M	14-9-89	A1 04-02579	
FINISH	TOLERANCES	ISS	SHT	
	UNLESS OTHERWISE STATED	1/2/3	OF	
	2 PLACES DEC ±			
	1 PLACE DEC ±			
	ANGULAR ±			

566