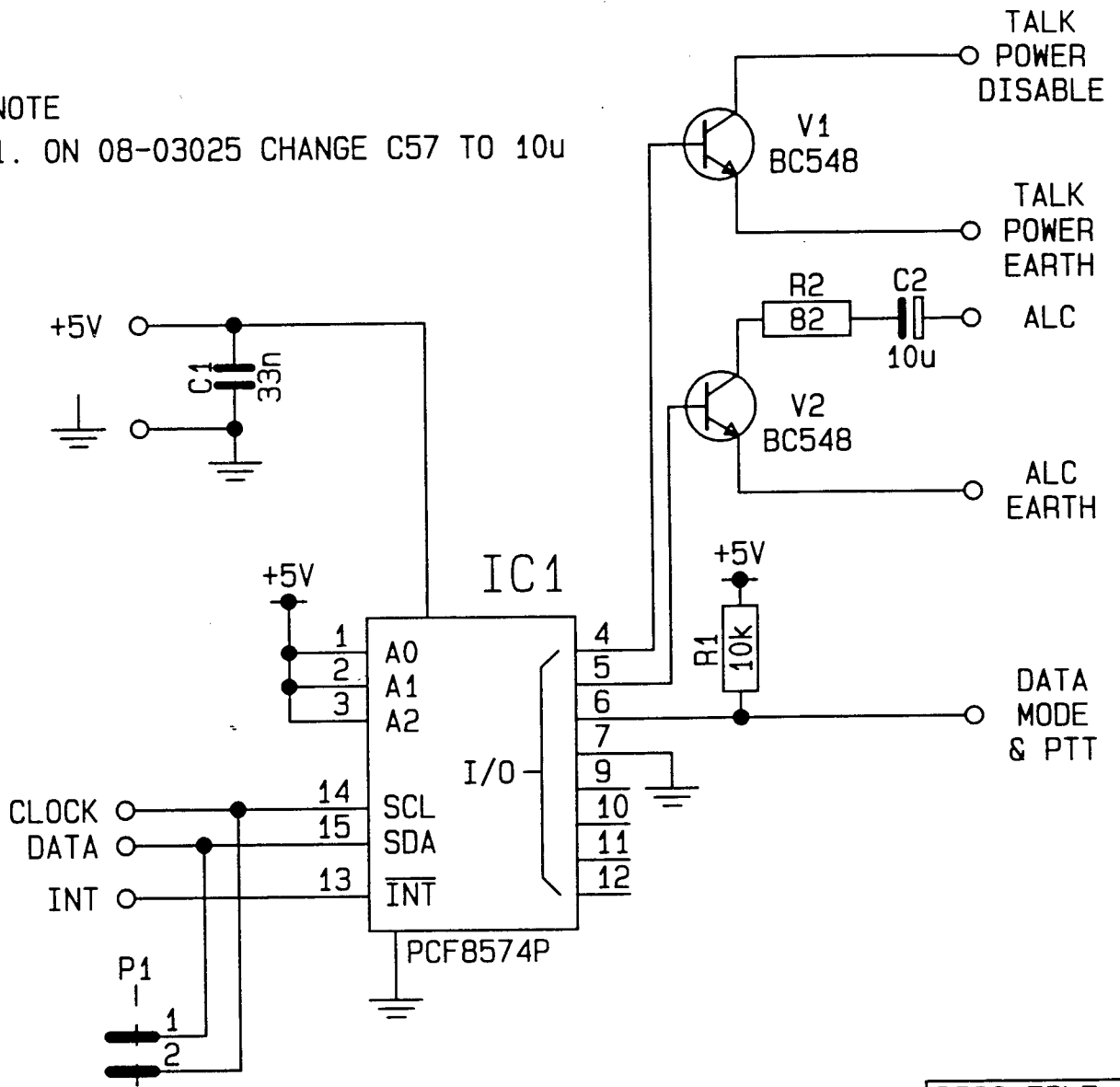


NOTE

1. ON 08-03025 CHANGE C57 TO 10u



PCB 07-01667  
ASSY 08-05041-001

DISC FILE  
3018-B.EXE

ISSUE CHANGE

ISSUE B:  
C/R 24080  
R2 ADDED.  
C2 WAS 47u.  
P/12/94

			SCALE	COPYRIGHT © CODAN PTY. LTD. A.C.N. 007 590 605 TITLE DATA MODE SWITCH
	DRN	PJL	DATE 16-9-93	
MATERIAL	CHKD	NJA	26-11-93	DRAWING/DOC.NO A4 04-03018
FINISH	APPD	TOLERANCES UNLESS OTHERWISE STATED 2 PLACES DEC. ± 1 PLACE DEC. ± ANGULAR ±		
			ISS	SHT 1
			A B	OF 1