

1 2 3 4 5 6 7 8 9 10 11 12

DO NOT SCALE

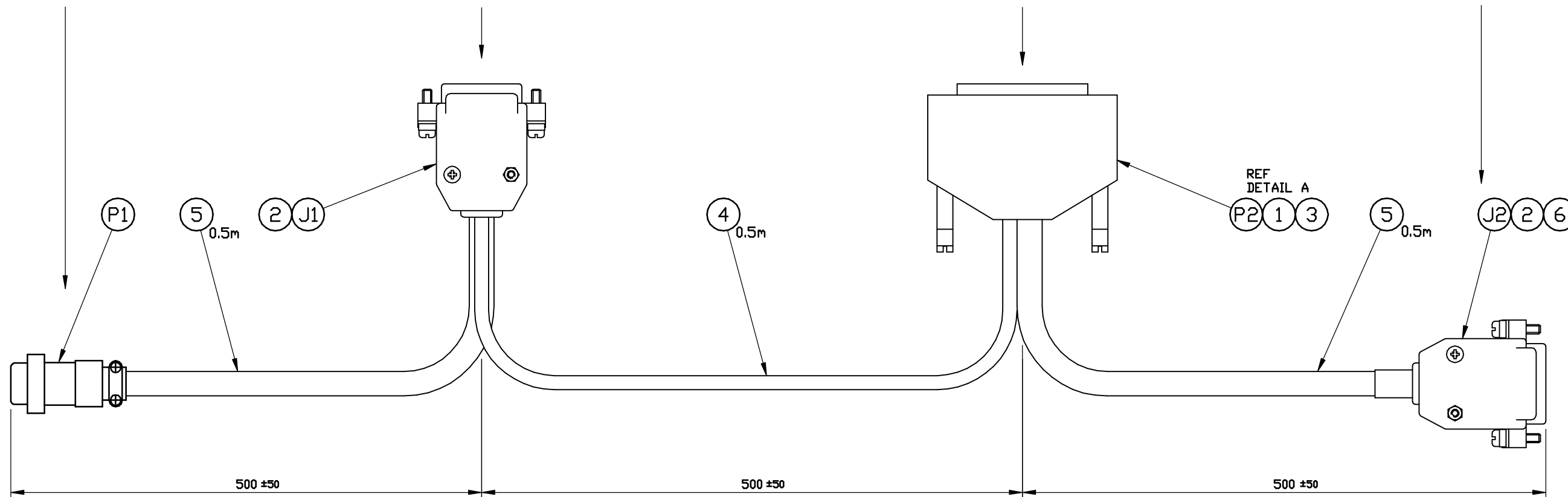
SELECT CORRECT END OF CABLE TO PREVENT WIRES CROSSING OVER EACH OTHER.

WIRE	P1
VIOLET	1
BROWN	2
BLACK	3
WHITE	4
GREEN	6
PINK	7
ORANGE	8
BLUE	9
RED	10

WIRE	FROM	J1
ORANGE	P1/8	1
		2
BLUE	' 9	3
RED	' 10	14
WHITE	' 4	5
GREEN	' 6	7
YELLOW or WHITE	PCB/T	8
VIOLET	P1/1	9
		10
PINK	' 7	11
BROWN	' 2	15

WIRE	FROM	P2	PCB
VIOLET	J2/4	4	
ORANGE	' 5	5	
PINK	' 7	7	
BLACK	' 14	19	
GREEN	' 9		G
WHITE	' 15		A
YELLOW or WHITE	J1/8		T
RED	J2/12		R

WIRE	J2
VIOLET	4
ORANGE	5
PINK	7
GREEN	9
	10
RED	12
BLACK	14
WHITE	15

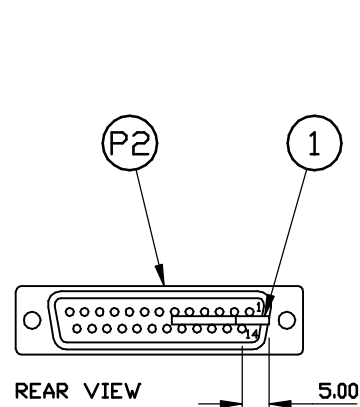


ISSUE B
WIRES DELETED:-
YE, P1/5 - J1/4.
GN, J1/7 - PCB/P.
BN, P2/2 - J2/2.
DET A:- PCB/R&T
TRANSPPOSED.
9323/9360 DELETED
FROM TITLE.
C/R 24303 CM
12-7-95

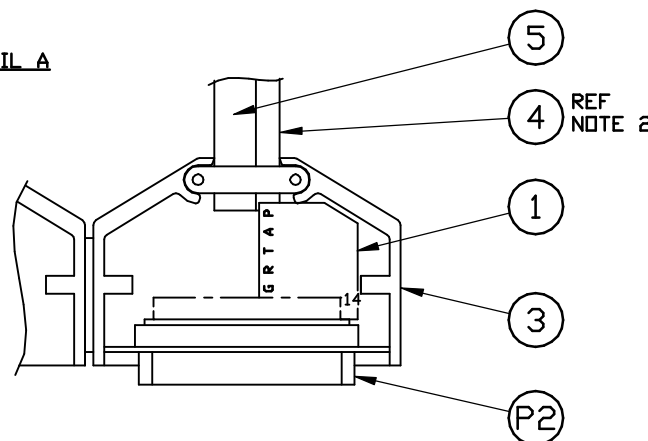
ISSUE 2
NOTE 2 ADDED,
'OR WHITE' ADDED
TO J1/8 & PCB/T.
C/R 25298 CE
4-6-98

ISSUE 3:
SHT 3 REMOVED.
C/R 26111
VS 31-5-99

- NOTES
- CUT OFF UNUSED WIRES FLUSH WITH SHEATH.
 - BEFORE TERMINATING ITEM 4 TO PCB, UNTWIST WIRE & SEPARATE 9 STRANDS. CUT OFF OTHER STRANDS, THEN RETWIST, TIN & SOLDER TO PCB.



DETAIL A



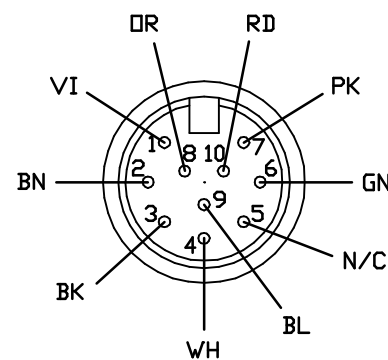
P/No 08-05180-001 - AS DETAILED

FILE No.
08\05180_3.DWG

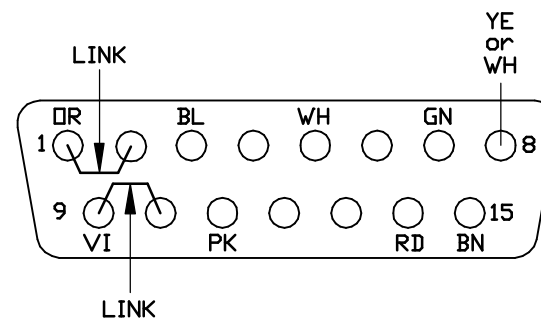
	SCALE 1:1		© CODAN PTY LTD, A.C.N. 007 590 605 1995 TITLE AUDIO SWITCH
	DRN	DB	
MATERIAL	CHKD	EF	5-4-95
FINISH	APPD	CM	12-7-95
	TOLERANCES UNLESS OTHERWISE STATED		
2 PLACES DEC. ±0,25			A2 DRAWING/DOC NO. 08-05180
1 PLACE DEC. ±0,5			
0 PLACE DEC. ±1			
ANGULAR ±2			ISS 2 3
			SHT. 1 OF 2

DO NOT SCALE

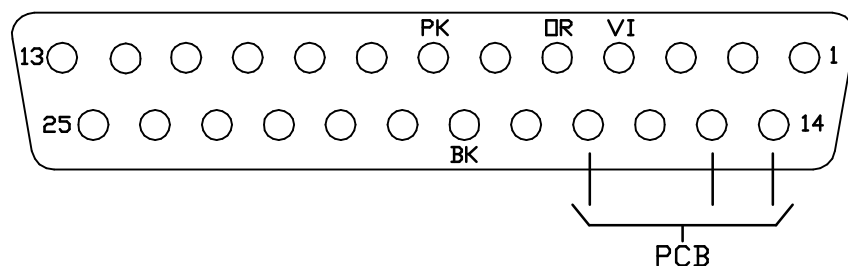
P1 - REAR VIEW



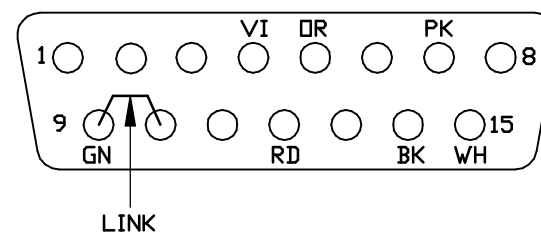
J1 - REAR VIEW



P2 - REAR VIEW



J2 - REAR VIEW



ISSUE B
WIRES DELETED:-
J1/4 WAS YE
J1/7 WAS 2xGN
J2/2 WAS BN
P1/5 WAS YE
P2/2 WAS BN
9323/9360 DELETED
FROM TITLE.
C/R 24303 CM
12-7-95

ISSUE 2
J1/8 WAS YELLOW ONLY.
C/R 25298 CE
4-6-98

ISSUE 3:
SHT 3 REMOVED.
C/R 26111 VS 31-5-99

FILE No.
08\05180__3.DWG

			SCALE NTS	© CODAN PTY LTD, A.C.N. 007 590 605: 1994	
	DRN	DB	DATE 16-3-95	TITLE AUDIO SWITCH	
MATERIAL	CHKD	EF	5-4-95	DRAWING/DOC NO.	
FINISH	APPD	CM	12-7-95	A3 08-05180	
	TOLERANCES UNLESS OTHERWISE STATED			ISS	SHT. 2
	2 PLACES DEC. ±0.25				
1 PLACE DEC. ±0.5					
0 PLACE DEC. ±1					
ANGULAR ±2					