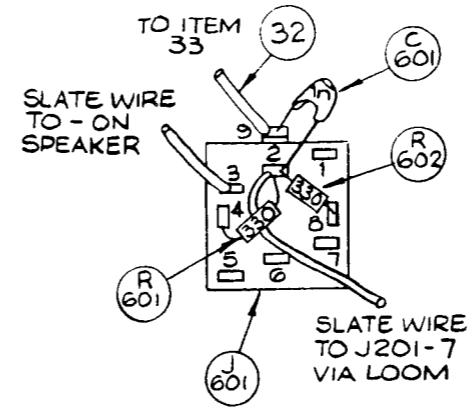
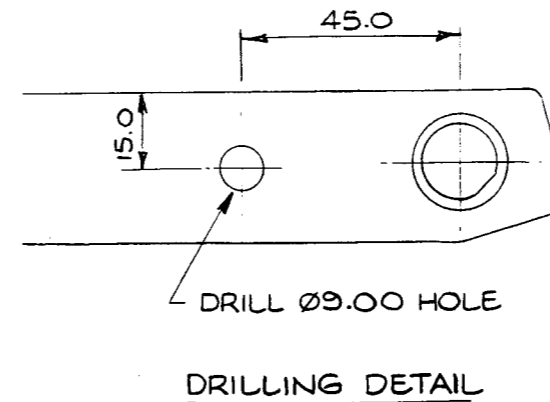
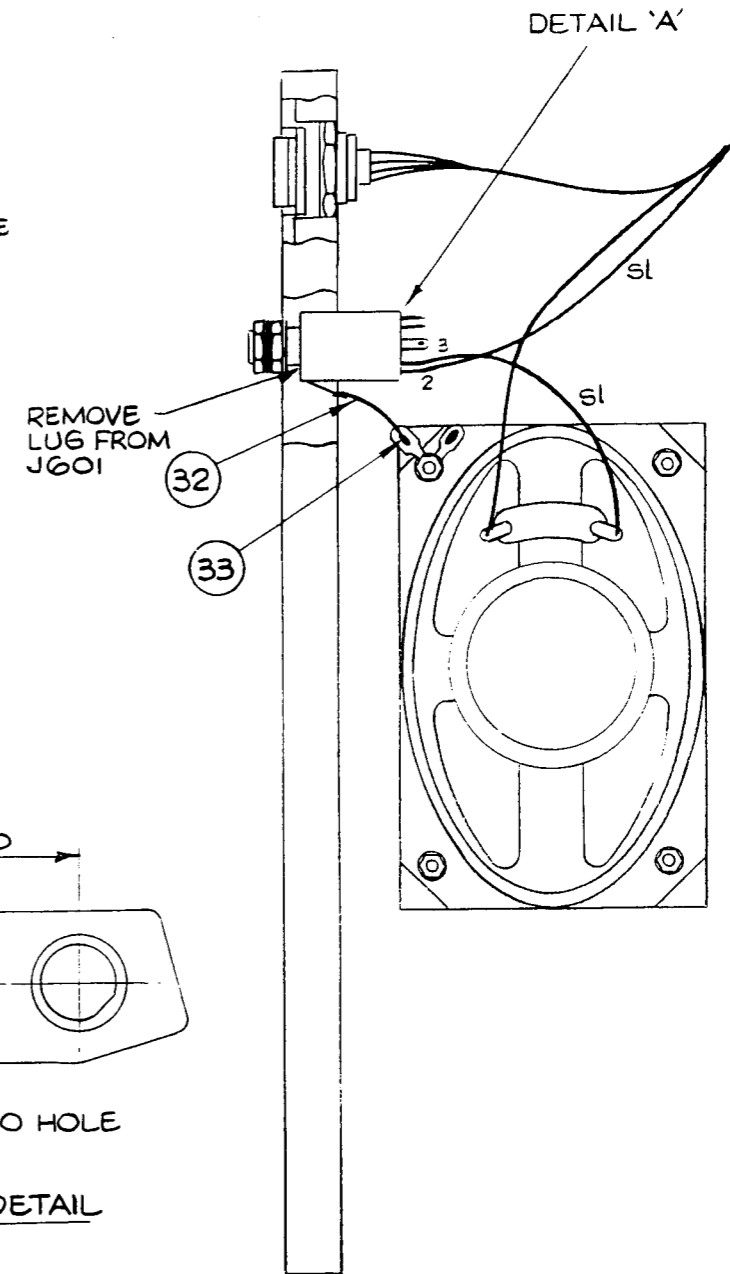


DO NOT SCALE



DETAIL 'A'



Notes

1. Remove 4 screws securing Console top to chassis. Disconnect wiring from connectors P1 and P7 on Audio Processing PCB, P3 on MicroController & Display PCB and interconnecting earthing wire enabling top cover to be separated from chassis.
2. Remove 2 screws securing left hand side cheek to Console top allowing cheek to be removed.
3. Drill 9mm dia. hole in side cheek 45mm from centre of microphone connector hole.
4. Connect resistors and capacitor to headphone socket.
5. Cut Slate wire connected to speaker \approx 60mm from speaker termination. Connect loomed wire to Pin 2 of socket. Terminate speaker slate wire on Pin 3.
6. Terminate black wire on solder lug supplied. Secure lug under screw on speaker. Terminate free end to sleeve lug on headphone socket.
7. Fit headphone socket through drilled hole. Secure cheek to Console top with 2 screws.
8. Replace cables from MicroController & Display PCB. Secure Console top to chassis with 4 screws.

Parts List

ITEM	PART No	DESCRIPTION
-	15-10375-001	Fitting Instructions
32	66-03072-000	Wire, Eq bk
33	61-30200-003	Lug, Solder 4BA
C601	46-31000-200	Capacitor 1n
J601	60-00013-051	Socket, Jack Switched 2B
R601	40-23300-020	Resistor 330 Ω CR25
R602	40-23300-020	Resistor 330 Ω CR25

	SCALE		N.T.S.		TITLE OPTION PH FITTING INSTRUCTIONS
	DRN.	APJ	DATE	2-9-91	
MATERIAL	CHKD.	AMJ	DATE	2-9-91	DRAWING / DOC NO. A3 15-10375-001
FINISH	APPD.	MJM	DATE	12-11-91	
TOLERANCES			UNLESS OTHERWISE STATED		ISS 1
2 PLACES DEC \pm			1 PLACE DEC \pm		
ANGULAR \pm					

COPYRIGHT © CODAN 1991