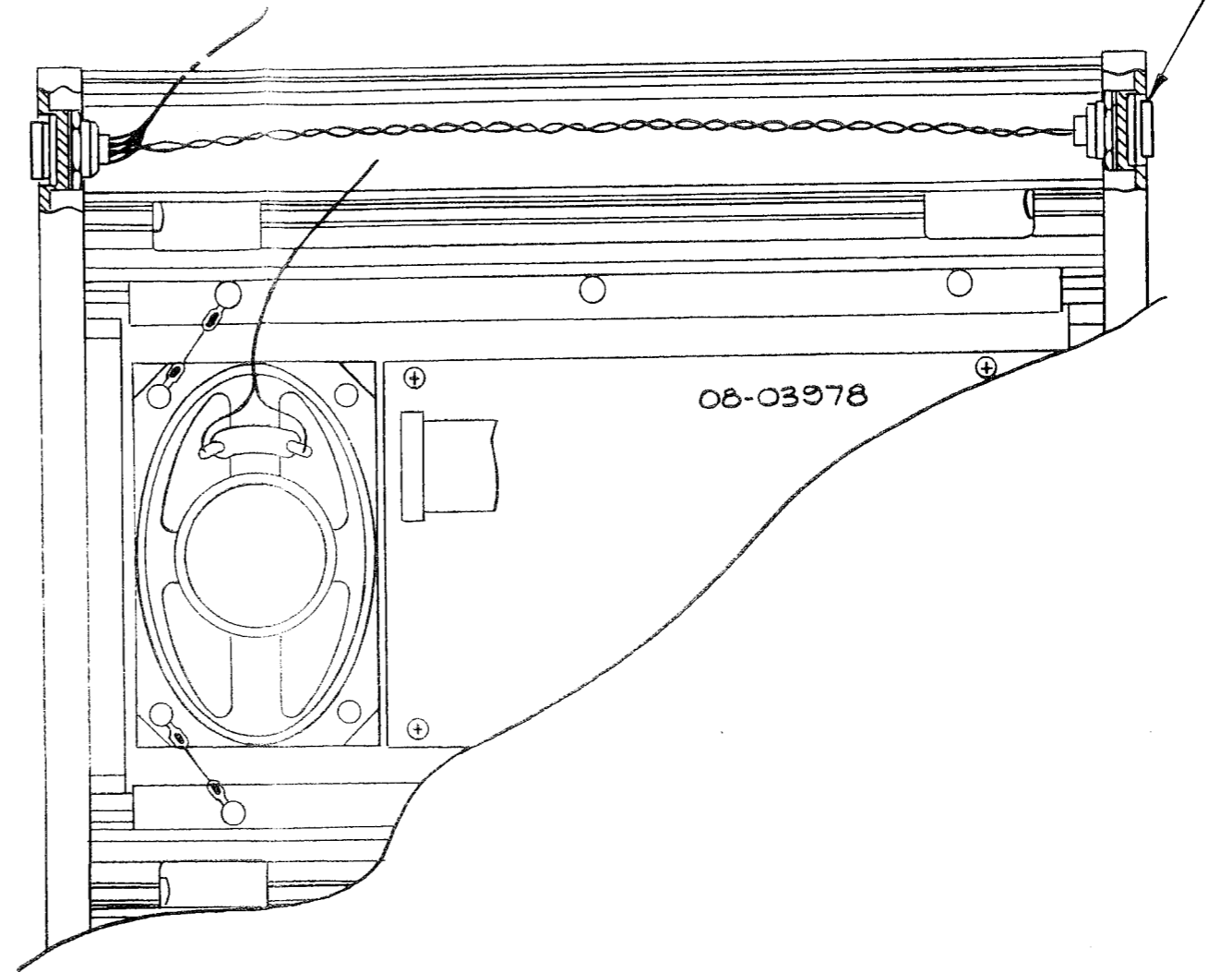


DO NOT SCALE

PLUG 4 WAY



Notes

1. Remove 4 screws securing Console top to chassis. Disconnect wiring from connectors P1 and P7 on Audio Processing PCB, P3 on MicroController & Display PCB and interconnecting earthing wire enabling top cover to be separated from chassis.
2. Remove 2 screws securing left hand side cheek to Console top allowing cheek to be removed. Remove microphone connector.
3. Connect brown and red wires to pins 1 and 2 on the microphone connector in parallel with existing wiring.
4. Replace microphone connector and side cheek.
5. Remove 2 screws securing right hand side cheek to Console top allowing cheek to be removed. Push out blue blanking plug from side cheek opposite microphone connector.
6. Terminate brown and red wires on pins 4 and 3 of 4 way plug and fit plug to side cheek. Refit side cheek to Console.
7. Replace cables from MicroController & Display PCB. Secure Console top to chassis with 4 screws.

Parts List

ITEM	PART No	DESCRIPTION
-	15-10382-001	Fitting Instructions
-	66-03072-001	Wire, Eq bn V105 Thin
-	66-03072-002	Wire, Eq rd V105 Thin
-	60-00040-320	Plug, 4 way

	SCALE		DATE		TITLE OPTION FS FITTING INSTRUCTIONS 8570
	DRN.	APJ	5-9-91		
MATERIAL	CHKD.	AmJ	6-9-91		DRAWING DOC NO. A3 15-10382-001
	APPD.	<i>AmJ</i>	12-11-91		
FINISH	TOLERANCES UNLESS OTHERWISE STATED				ISS 1
	2 PLACES DEC ± 1 PLACE DEC ± ANGULAR ±				
					SHT OF 1

COPYRIGHT © CODAN 1991