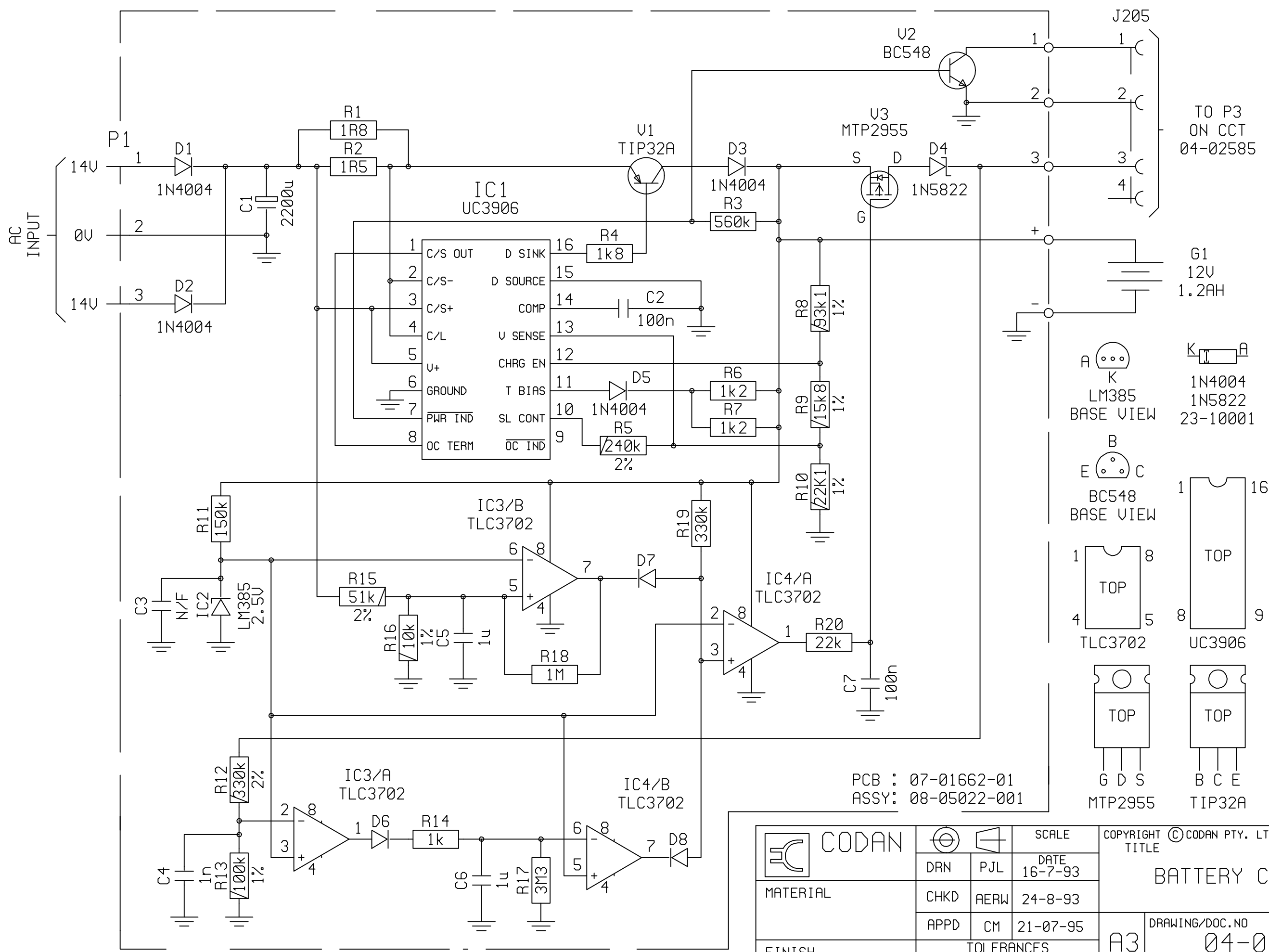
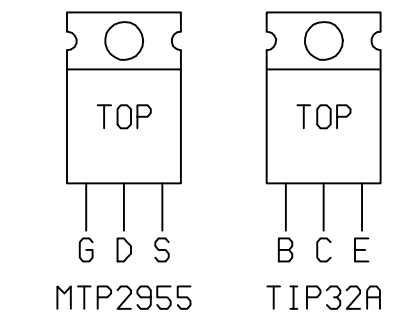
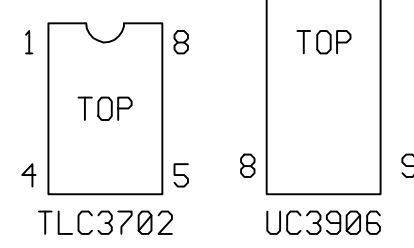
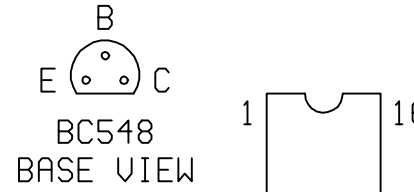
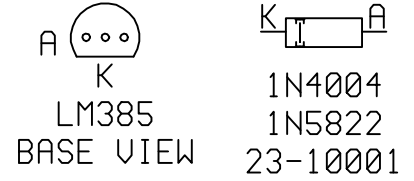


ISSUE CHANGE
 ISSUE 2:
 C3 WAS 100n
 PCB ISSUE ADDED
 C/R 26572
 HKJ 19-6-00



TO P3
 ON CCT
 04-02585

G1
 12V
 1.2AH



PCB : 07-01662-01
 ASSY: 08-05022-001

NOTES:
 1. ALL DIODES ARE 23-10001, UNLESS OTHERWISE STATED.

	DRN	PJL	SCALE	COPYRIGHT © CODAN PTY. LTD. A.C.N. 007 590 605				
	CHKD	AERW	DATE 16-7-93	TITLE BATTERY CHARGER				
	APPD	CM	21-07-95	DRAWING/DOC. NO 04-03011				
FINISH	TOLERANCES UNLESS OTHERWISE STATED 2 PLACES DEC. ± 1 PLACE DEC. ± ANGULAR ±			A3	ISS			SHT 1 OF 1
				A	1	2		