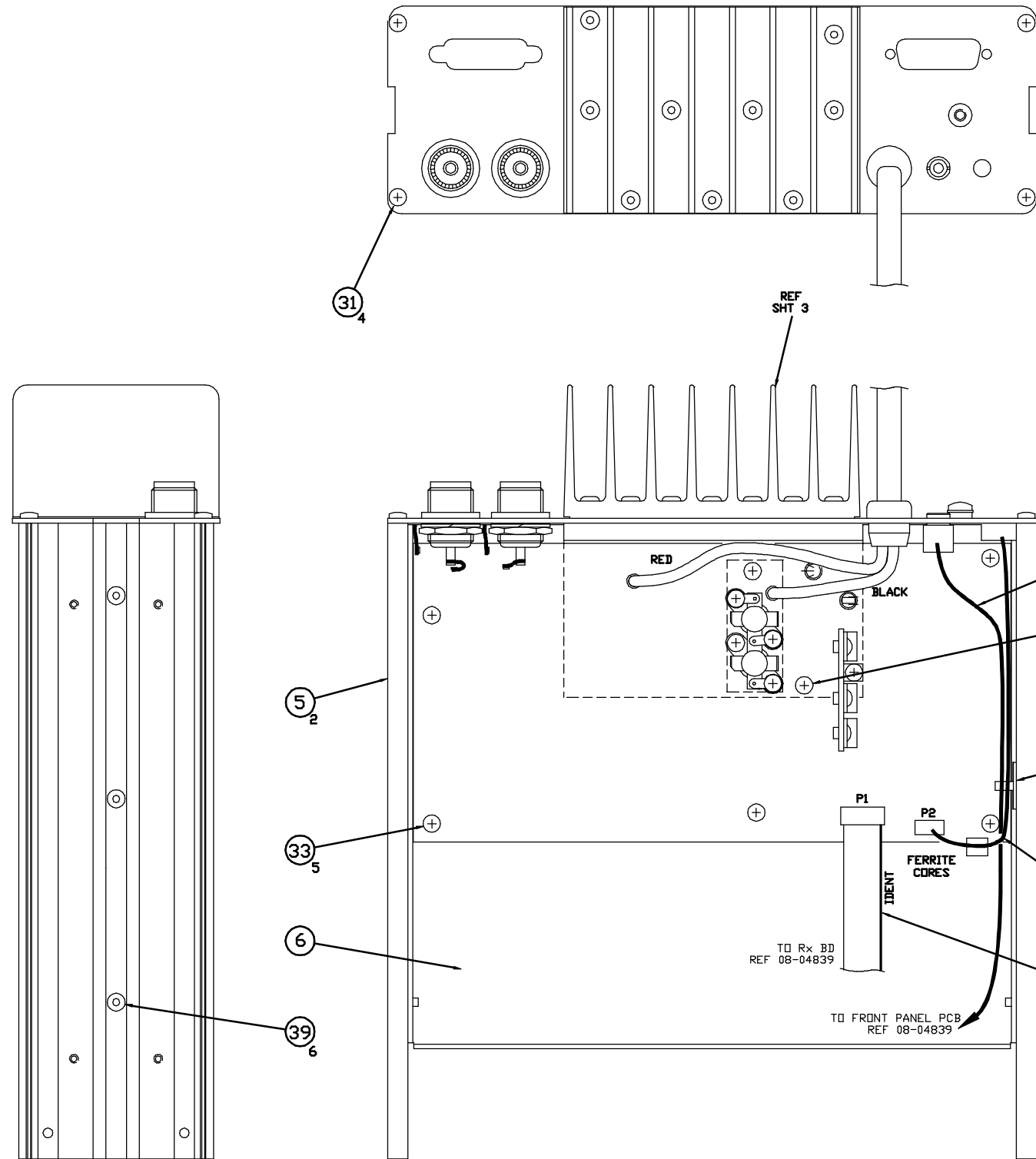
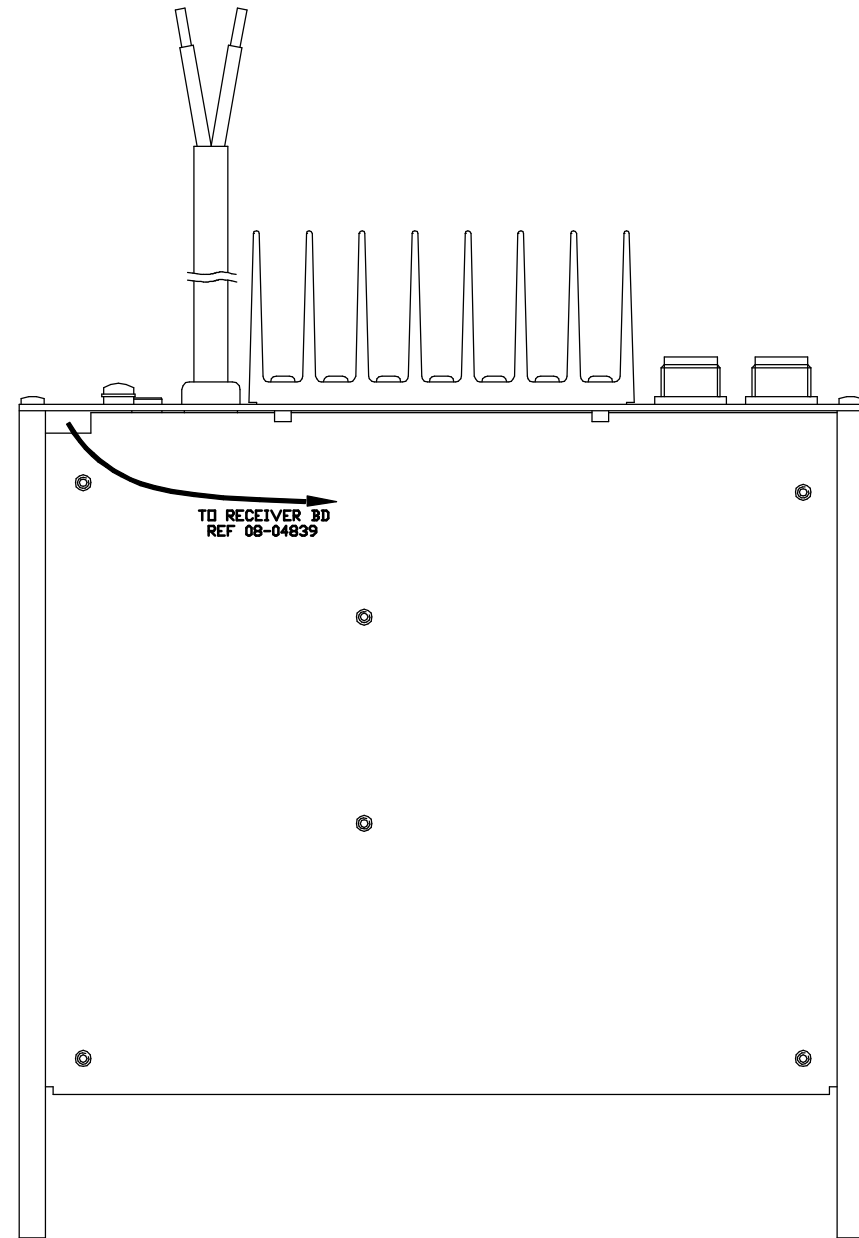


DO NOT SCALE



BOTTOM VIEW



TOP VIEW

ISSUE B
REF SHTS 2 & 4
ISSUE C
ITEMS 37 & 38
DELETED.
C/R 23320
15-07-92 RFW
ISSUE 1
REF SHTS 2-5
ISSUE 2
REF SHT 5
ISSUE 3
REF SHTS 2-5
ISSUE 4
REF SHT 2
ISSUE 5
REF SHTS 2-5
ISSUE 6
REF SHTS 2-5
ISSUE 7
REDRAWN ACAD
TSM NOW
SHT 1 OF 1.
REF SHTS 1-4
ISSUE 8
CR 24945
PCB WAS ISSUE 6
REFER SHTS 1-4
24-3-97 NJA
ISSUE 9
REFER TO SHEET 2
ISSUE 10
REFER TO SHEET 1
ISSUE 11
SHTS 5&6 ADDED.
C/R 25477
3-7-98 VS

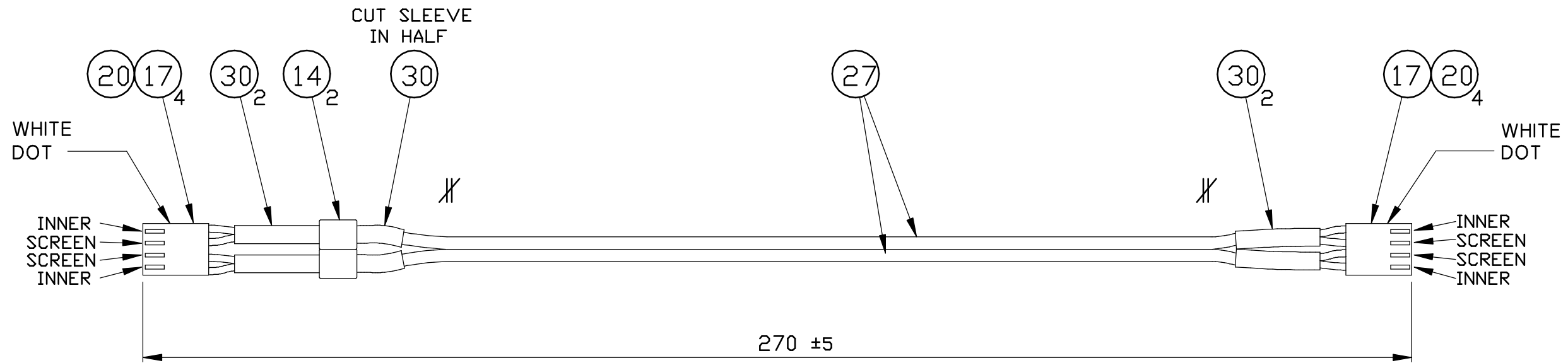
FILE No.
08\04841A11.DWG

CODAN	SCALE	1:1	© CODAN PTY LTD, A.C.N. 007 590 605. 1996	TITLE	PA & CHASSIS ASSEMBLY
	DRN	DB			
MATERIAL	CHKD	RFW	25-05-92	DRAWING/DOC NO.	
FINISH	APPD	NJA	10-07-92	A1	08-04841
TOLERANCES UNLESS OTHERWISE STATED			ISS	11	SHT. 1 OF 6
2 PLACES DEC. ±0.25					
1 PLACE DEC. ±0.5					
0 PLACE DEC. ±1					
ANGULAR ±2°					

DIMENSIONS IN mm

DO NOT SCALE

ISSUE 11
 SHTS 5&6 ADDED
 C/R 25477
 3-7-98 VS



1. TERMINATE EACH SCREEN BRAID WITH 25.0 BLACK WIRE (ITEM 25)

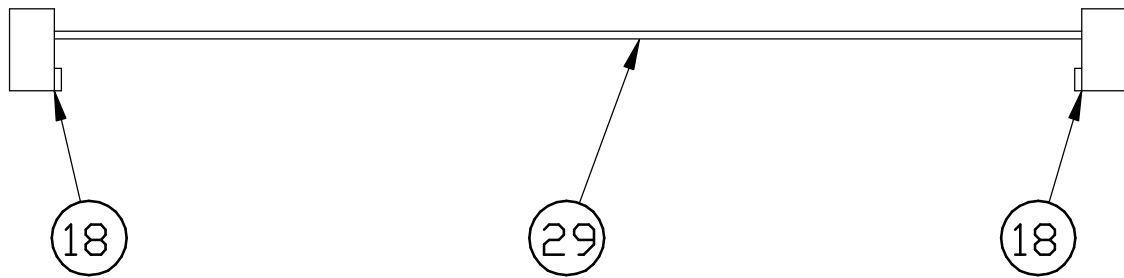
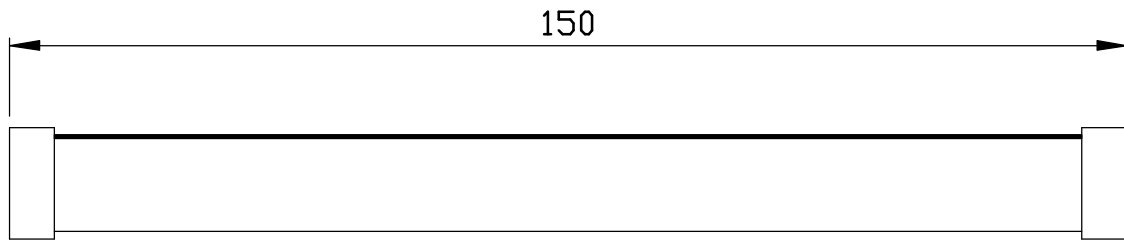
FILE No.
 08\04841A11.DWG

DIMENSIONS IN mm

			SCALE 1:1	© CODAN PTY LTD, A.C.N. 007 590 605: 1998			
	DRN	DB	DATE 26-6-98	TITLE PA & CHASSIS ASSY DETAIL A			
MATERIAL	CHKD			DRAWING/DOC NO.			
FINISH	APPD			A3			
	TOLERANCES UNLESS OTHERWISE STATED			08-04841			
				ISS 11			SHT. 5 OF 6

DO NOT SCALE

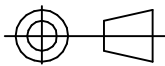
ISSUE 11
SHTS 5&6 ADDED.
C/R 25477
3-7-98 VS



DIMENSIONS IN mm FILE No. 08\04841A11.DWG



CODAN



SCALE 1:1

DATE 26-6-98

© CODAN PTY LTD, A.C.N. 007 590 605: 1998

TITLE

PA & CHASSIS ASSY
DETAIL B

MATERIAL

DRN DB

CHKD

APPD

DRAWING/DOC NO.

A4

08-04841

FINISH

TOLERANCES UNLESS OTHERWISE STATED

2 PLACES DEC.	±0.25
1 PLACE DEC.	±0.5
0 PLACE DEC.	±1
ANGULAR	±2°

ISS 11

SHT. 6 OF 6