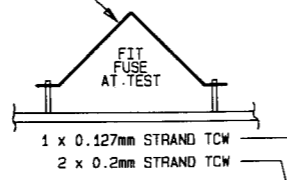
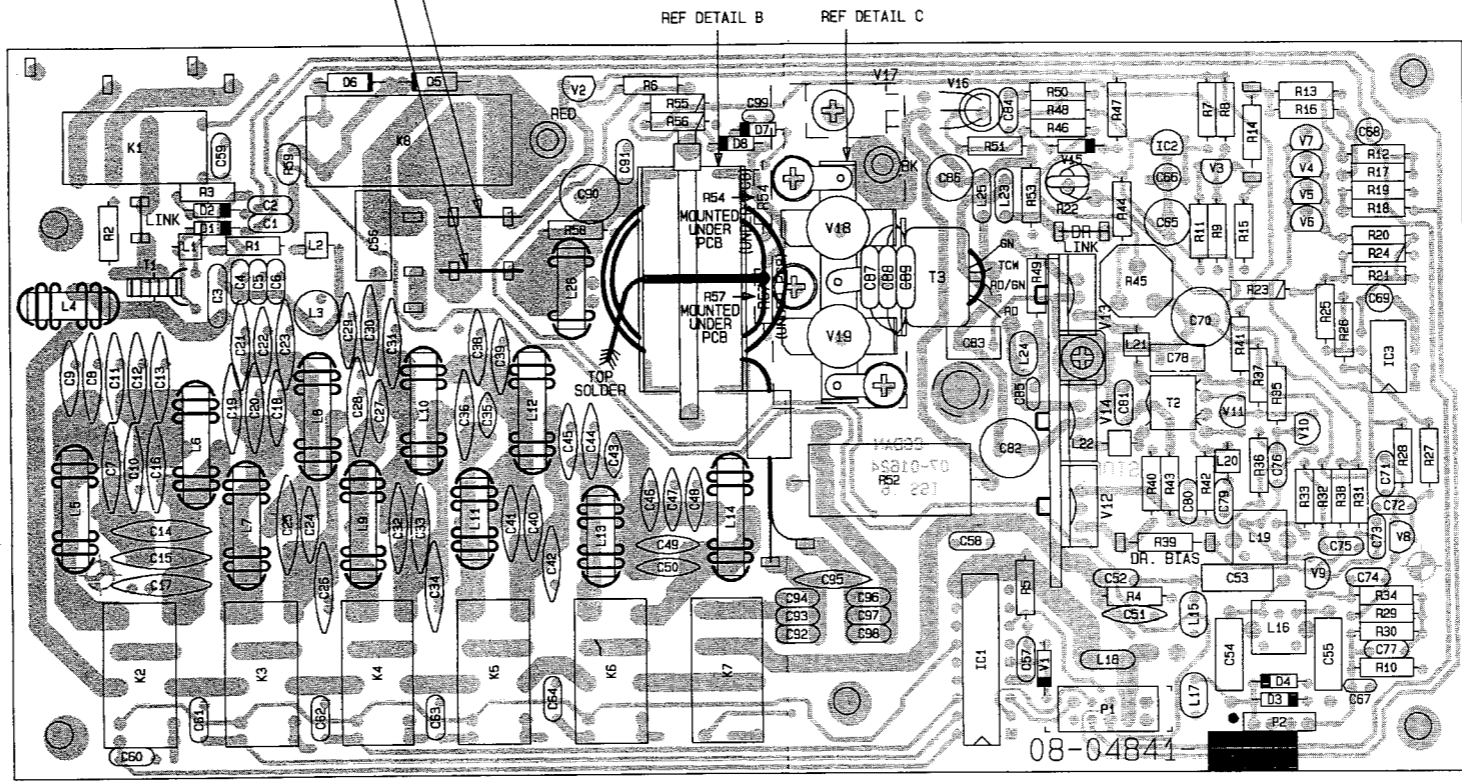
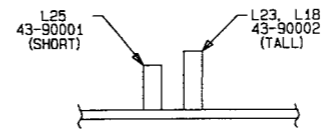


A
B
C
D
E
F
G
H

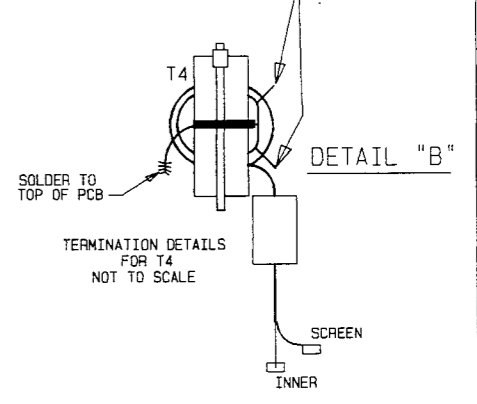
'KINK' FUSE WIRE UP 10mm



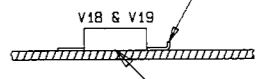
INDUCTORS



CONNECT BRAID AND ENAMELLED WIRES TO TRANSISTOR TABS. KEEP LEADS SHORT AS POSSIBLE

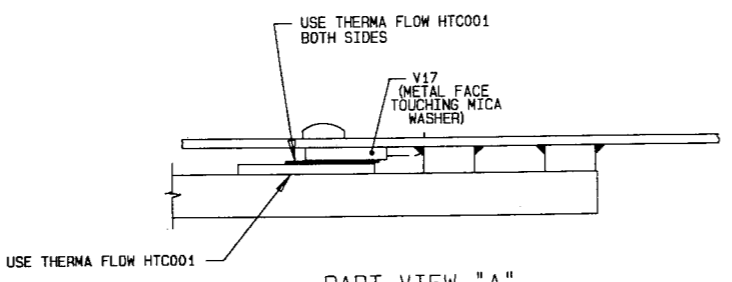


BEND 2 TABS UP 90 deg 1.5mm FROM ENDS. (BOTH TRANSISTORS) AS SHOWN.



NOTE: COAT UNDERSIDE OF V18 & V19 WITH THERMA FLOW COMPOUND BEFORE ASSEMBLY.

DETAIL "C"



PART VIEW "A"
SHOWING ASSEMBLY OF HEATSINK TO PCB

VIEW A

- NOTES:
1. ALL LINKS ARE 22 SWG.
 2. FIT STRAP BEFORE T4 IS SOLDERED TO PCB.
 3. RESISTORS SHOWN ARE 2%

CHANGE REQUEST

ISSUE B
C37 DELETED
C44 WAS 100p
C95 WAS 100p
C/R 23355
3/7/92 NJA
ISSUE C
ITEM 45 ADDED
C/R 23320
15/7/92 NJA
ISSUE 1
C34 WAS 100p
C7 WAS 180p
C/R 23332
29/7/92 NJA
ISSUE 2
WIRE 01A WAS
3 x 0.127mm
C/R 23497
L4 WAS
GN GN OR
C/R 23522
23-2-93 NJA
ISSUE 3
R33 WAS 56ohm
C/R 23646
12/7/93 NJA
ISSUE 4
NOTES 4 & 5
ADDED ON SHT 2
C/R 23675
C.M. 9-8-93
ISSUE 5
D6 WAS
23-10001
R59 ADDED
C/R 24483
C.M. 21-2-96
ISSUE 6
C/R 24666
L3, L15, L17, L19
6 L24 WERE 5mm
5 PITCH
L19 WAS 4u7
ITEM 42 DELETED
PCB WAS ISS. 4
26-7-95 NJA
ISSUE 7
C/R 24832
L24 ROTATED
PCB WAS ISS. 5
9-1-97 JB

PCB 07-01624 ISSUE 6
ASSY P/No. 08-04841-001

CODAN		SCALE 2:1	CODAN PTY LTD. A.C.N. 007 590 605. 1992	
DRN. P.J.L.	DATE 22-4-92	PA & FILTER PCB ASSEMBLY		
CHKD. NJA	DATE 26-5-92	DRAWING/DOC No. 08-04841		
APPD. NJA	DATE 30-7-92	ISS 1		
UNLESS OTHERWISE STATED		SHT 1 OF 1		
2 PLACES DEC ±	3 PLACES DEC ±			
ANGULAR ±				

FILE NAME 07\01624_5.PCB