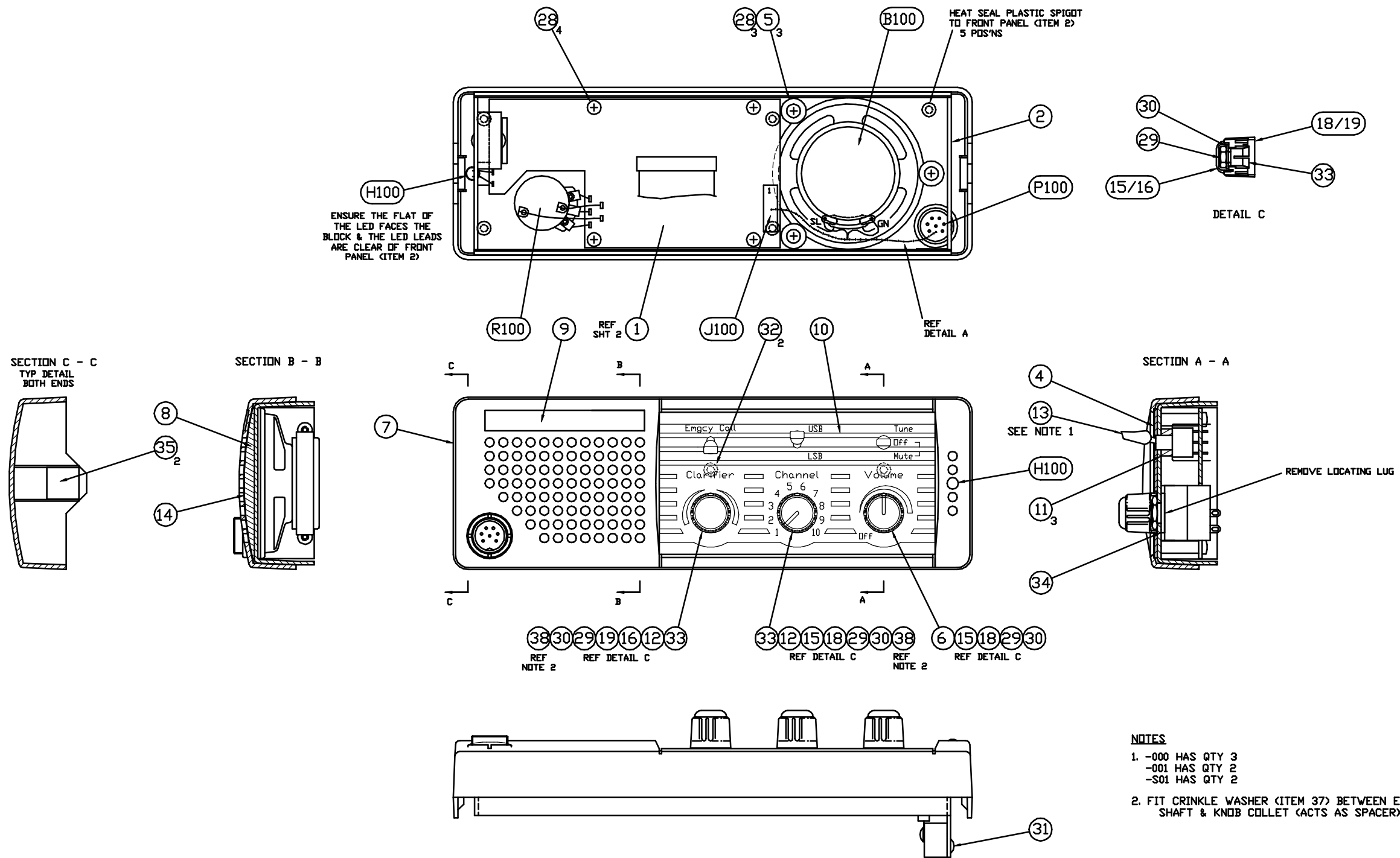


DO NOT SCALE



- NOTES**
- 000 HAS QTY 3
-001 HAS QTY 2
-S01 HAS QTY 2
 - FIT CRINKLE WASHER (ITEM 37) BETWEEN END OF SHAFT & KNOB COLLET (ACTS AS SPACER).

08-04842-000	SHT 1	STANDARD BUILD
08-04842-001	SHT 3	ICRC BUILD
08-04842-S01	SHT 4	SMC BUILD

REMOVE BURRS & SHARP EDGES

CODAN	SCALE	1:1	© CODAN PTY LTD, A.C.N. 007 590 605. 1997	
	DATE	04-02-92		
MATERIAL	DRN	DB	TITLE	
	CHKD	RFW		FRONT PANEL ASSY (X2) STANDARD BUILD
FINISH	APPD	NJA	DRAWING/DOC NO.	
	TOLERANCES UNLESS OTHERWISE STATED			A1 08-04842
2 PLACES DEC. ±0.25		ISS	SHT. 1 OF 5	
1 PLACE DEC. ±0.5				8
0 PLACE DEC. ±1				
ANGULAR ±2°				

DIMENSIONS IN mm

ISSUE 8
ITEM 20 DELETED,
ITEM 35 ADDED,
ITEM 34 QTY WAS
4,
C/R 23320 RFW
15-7-92

ISSUE 2
ITEMS 6 & 35
DELETED. CM
16-10-92

ISSUE 3
SHT 4 ADDED.
C/R 23619

ISSUE 4
REF SHTS 2 & 3

ISSUE 5
TABLE AND NOTE 1
ADDED.
SHTS 2 & 3
COMBINED ON SHT2
C/R 24884
JFB 03-03-97

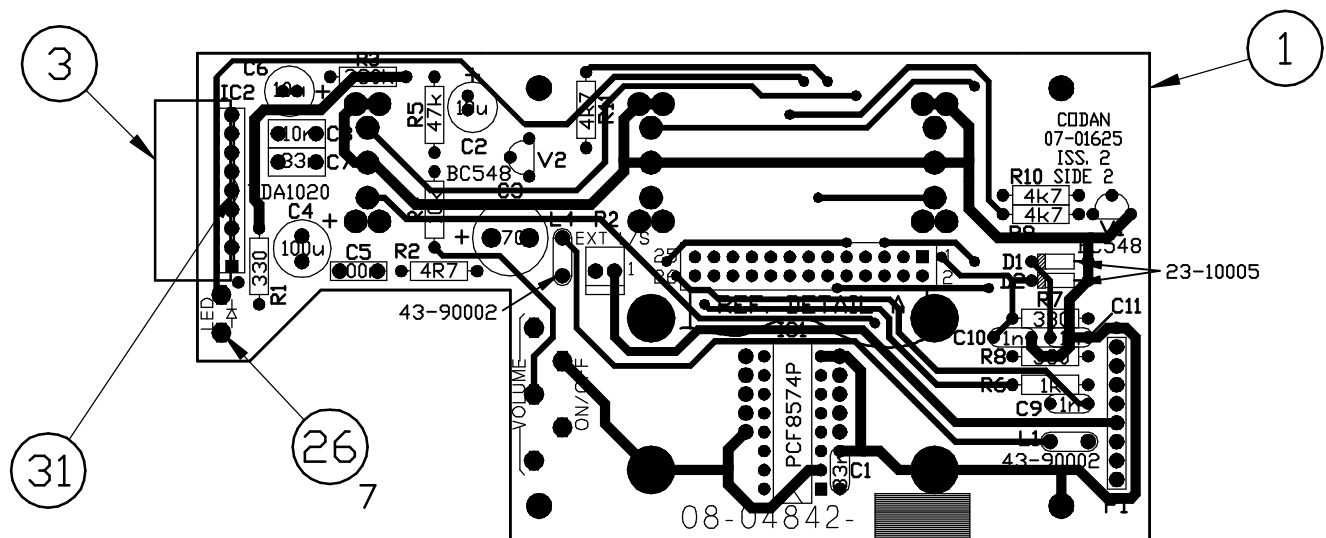
ISSUE 6
ITEM 37 & NOTE 2
ADDED.
-S01 IN TABLE WAS
-002
C/R 24999
23-05-97 BAB

ISSUE 7
SHT 5 ADDED,
NOTE ADDED TO H100,
LOAD TRANSFERRED
TO SHT 5.
C/R 25483
16-7-98 VS

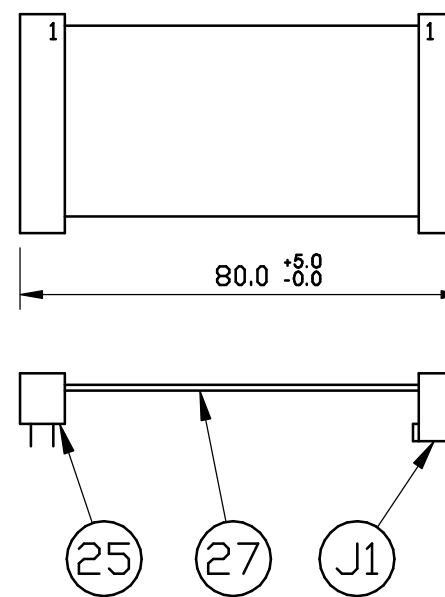
ISSUE 8
REFER SHT 2

FILE No.
08\04842_8.DWG

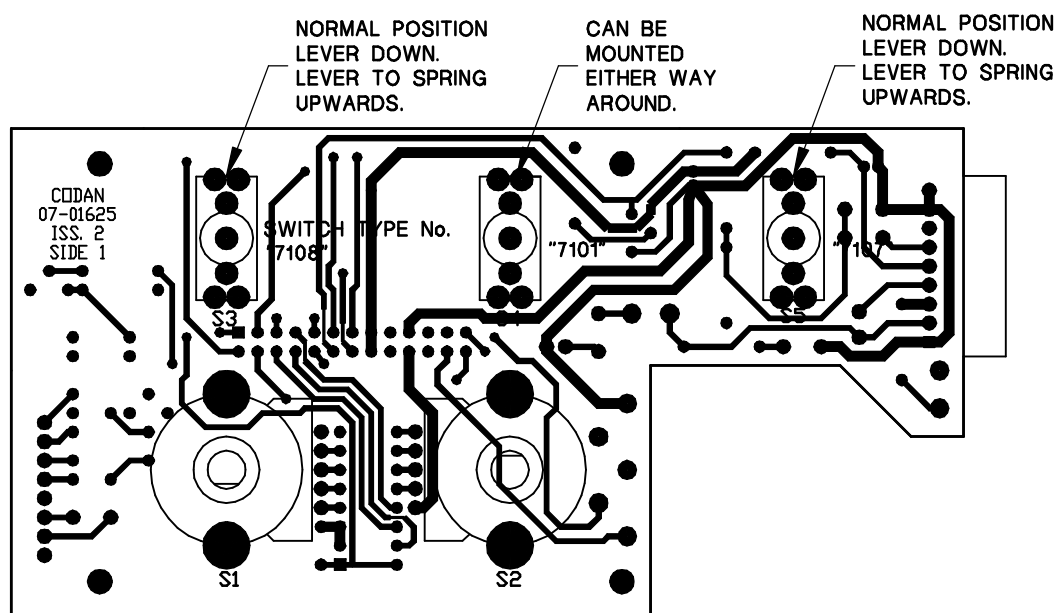
DO NOT SCALE



SIDE 2



DETAIL A



SIDE 1

DIMENSIONS IN mm

ISSUE B
REF SHT1
ISSUE 2
REF SHT1
ISSUE 3
REF SHT4
ISSUE 4
C4 POLARITY
REVERSED.
C/R 23707
NJA 12-07-93

ISSUE 5
SMC BUILD STD
ADDED AS SHT4
C/R 24884

ISSUE 6
REFER SHT 1

ISSUE 7
SHT 5 ADDED,
REF SHT 1.

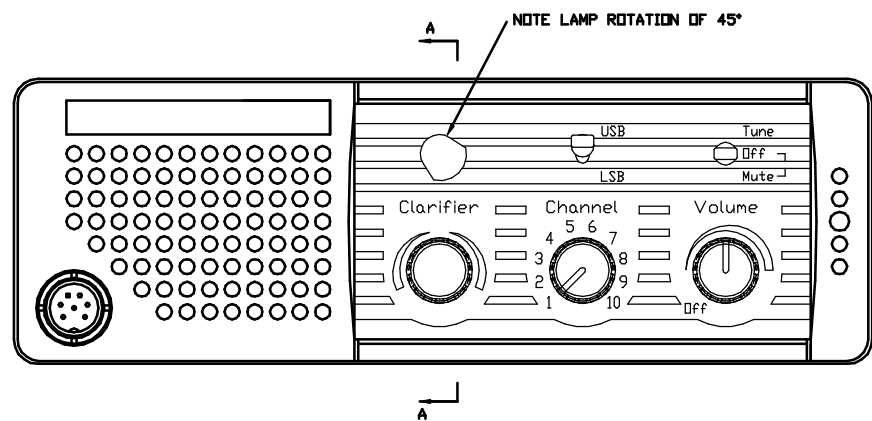
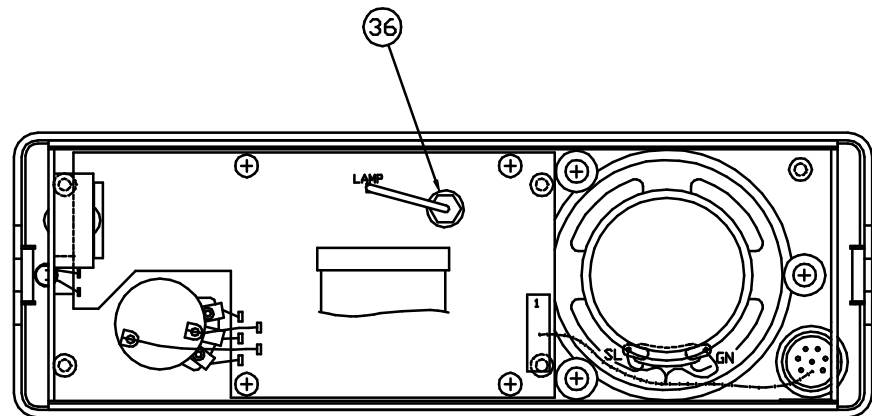
ISSUE 8
C2 WAS 100u
C/R 26130
VS 18-6-99

FILE No.
08\04842_8.DWG

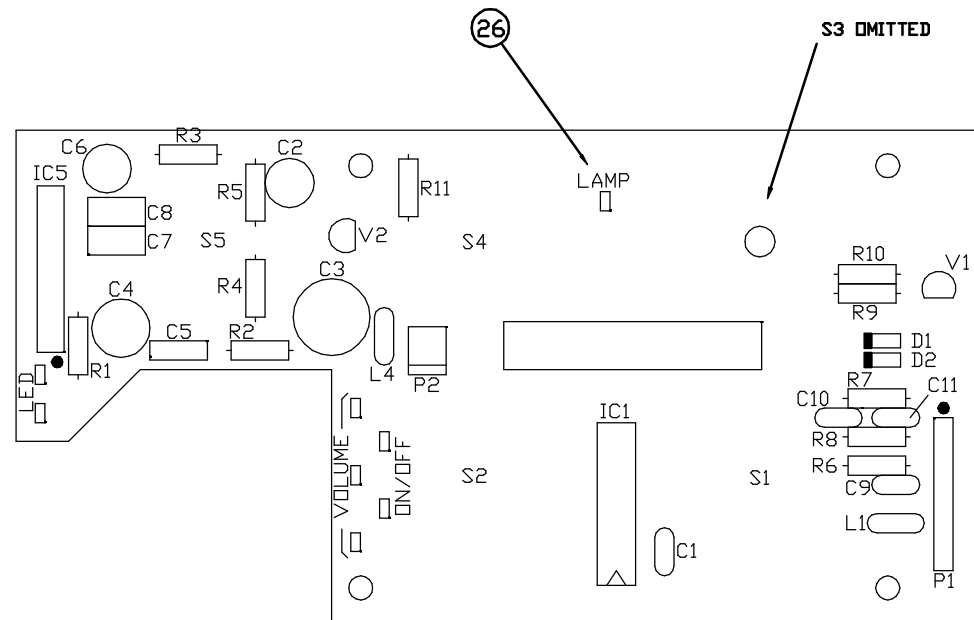
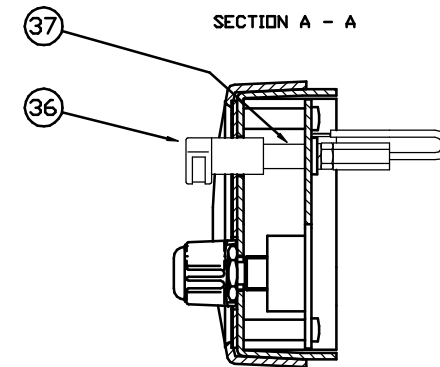
PCB 07-01625 ISSUE 2
ASSY P/No 08-04842-000

			SCALE 2:1	© CODAN PTY LTD, A.C.N. 007 590 605: 1997 TITLE FRONT PANEL PCB ASSEMBLY				
	DRN	ILT	DATE 08-04-92	DRAWING/DOC NO. 08-04842				
MATERIAL			CHKD					
FINISH			APPD	NJA	DATE 30-07-92	SHT. 2 OF 5		
			TOLERANCES UNLESS OTHERWISE STATED					
			2 PLACES DEC. ±0.25 1 PLACE DEC. ±0.5 0 PLACE DEC. ±1 ANGULAR ±2°					

DO NOT SCALE



ALL OTHER DETAIL - REF SHT 1



PCB - 07-01647

ALL OTHER DETAIL - REF SHTS 2 & 3
(SCALE 2:1)

ISSUE 8
ITEM 20 DELETED,
ITEM 35 ADDED,
ITEM 34 QTY WAS
4.
C/R 23320 RFV
15-7-92

ISSUE 2
ITEMS 6 & 35
DELETED. CM
16-10-92

ISSUE 3
SHT 4 ADDED.
ITEMS 36 & 37
ADDED.
C/R 23619 CM
24-3-93

ISSUE 4
REF SHTS 2 & 3

ISSUE 5
REF SHTS 1 & 4

ISSUE 6
REF SHT 1

ISSUE 7
SHT 5 ADDED,
REF SHT 1.

ISSUE 8
REFER SHT 2

FILE No.
08\04842_B.DWG

REMOVE BURRS & SHARP EDGES

	SCALE	1:1	© CODAN PTY LTD, A.C.N. 007 690 605: 1997 TITLE FRONT PANEL ASSY (X2) RED CROSS
	DRN	DB	
MATERIAL	CHKD	RFW	25-06-92
FINISH	APPD	NJA	30-07-92
	TOLERANCES UNLESS OTHERWISE STATED		A1
2 PLACES DEC. ±0.25		ISS	8
1 PLACE DEC. ±0.5			
0 PLACE DEC. ±1			
ANGULAR ±2°		8	SHT. 3 OF 5

DIMENSIONS IN mm

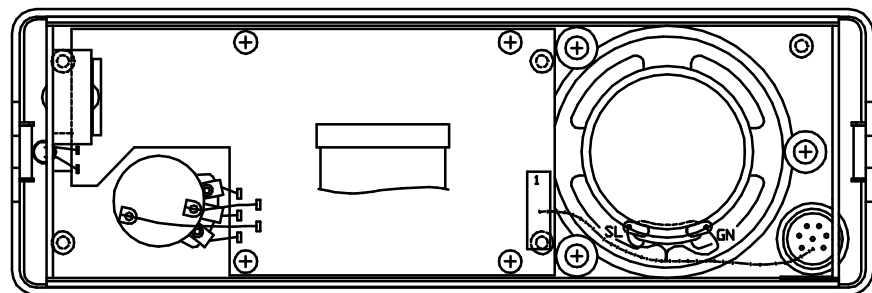
DO NOT SCALE

ISSUE 5
REF SHT 1.
SNC BUILD SHT4
ADDED.
C/R 24884
JFB 03-03-97

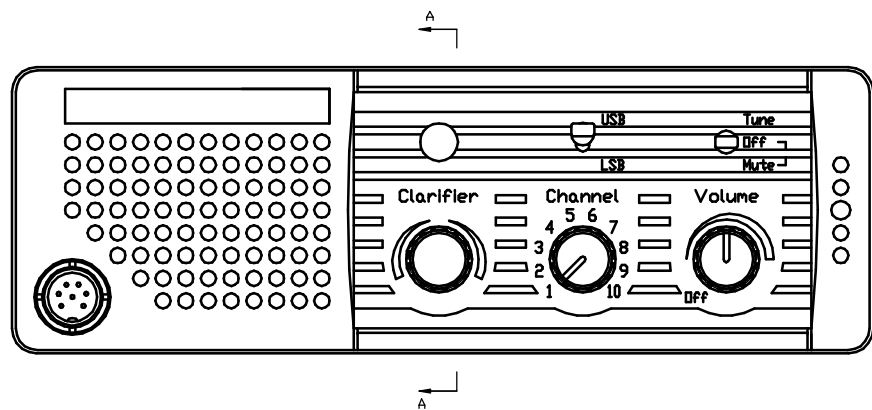
ISSUE 6
REF SHT 1.

ISSUE 7
SHT 5 ADDED,
REF SHT 1.

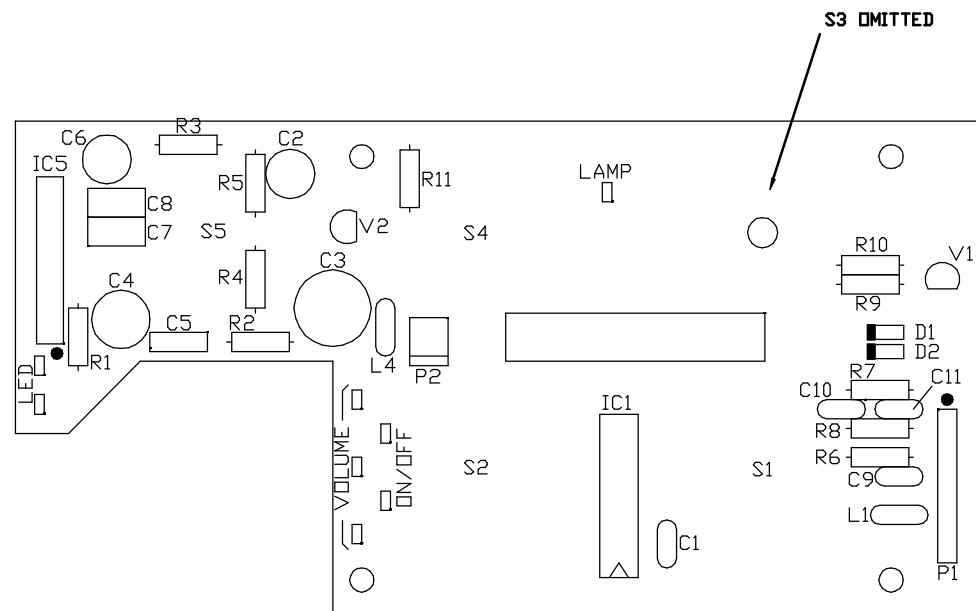
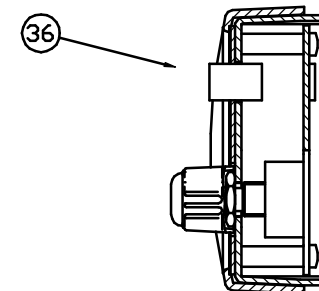
ISSUE 8
REFER SHT 2



ALL OTHER DETAIL - REF SHT 1



SECTION A - A



PCB - 07-01647

ALL OTHER DETAIL - REF SHTS 2 & 3
(SCALE 2:1)

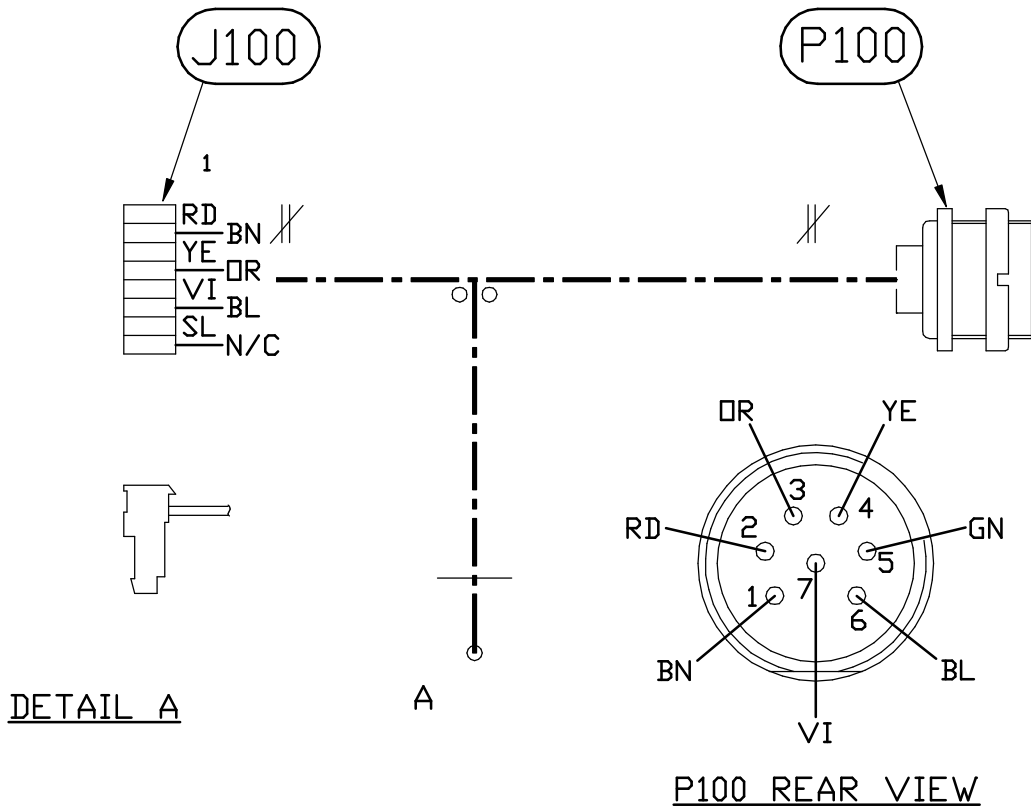
REMOVE BURRS & SHARP EDGES

	SCALE	1:1	© CODAN PTY LTD. A.C.N. 007 590 605: 1997 TITLE FRONT PANEL ASSY (X2) SMC
	DATE	27-02-97	
MATERIAL	DRN	AML	DRAWING/DOC NO. 08-04842
	CHKD		
FINISH	APPD	JFB 03-03-97	TOLERANCES UNLESS OTHERWISE STATED 2 PLACES DEC. ±0.25 1 PLACE DEC. ±0.5 0 PLACE DEC. ±1 ANGULAR ±2°
	ISS	8	A1 SHT. 4 OF 5

DIMENSIONS IN mm

FILE No.
08\04842_8.DWG

DO NOT SCALE



	WIRE	FROM	TO
RED	66-03072-002	J100/PIN 1	P100/PIN 2
BROWN	" -001	" 2	" 1
YELLOW	" -004	" 3	" 4
ORANGE	" -003	" 4	" 3
VIOLET	" -007	" 5	" 7
BLUE	" -006	" 6	" 6
SLATE	" -008	" 7	A
GREEN	" -005	A	P100/PIN 5

ISSUE 7
SHT 5 ADDED,
REF SHT 1.
C/R 25483
16-7-98 VS

ISSUE 8
REFER SHT 2

FILE No.
08\04842_8.DWG

REMOVE BURRS & SHARP EDGES

DIMENSIONS IN mm

			SCALE 1:1	© CODAN PTY LTD, A.C.N. 007 590 605: 1998			
	DRN	DB	DATE 04-02-92	TITLE LOOM, MIC			
MATERIAL	CHKD	RFW	25-05-92	DRAWING/DOC NO.			
FINISH	APPD	NJA	30-07-92	08-04842			
	TOLERANCES UNLESS OTHERWISE STATED			A 4			
	2 PLACES DEC. ±0.25 1 PLACE DEC. ±0.5 0 PLACE DEC. ±1 ANGULAR ±2°			ISS 8	SHT. 5 OF 5		