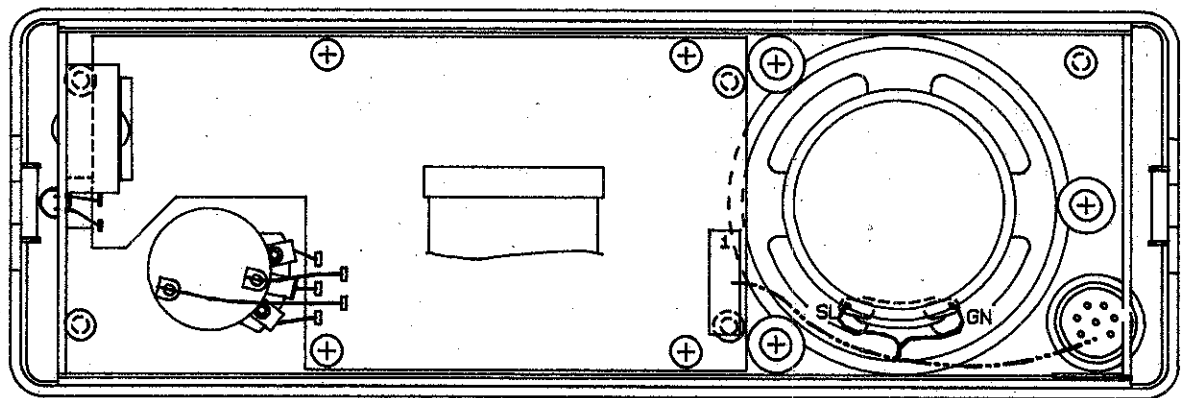
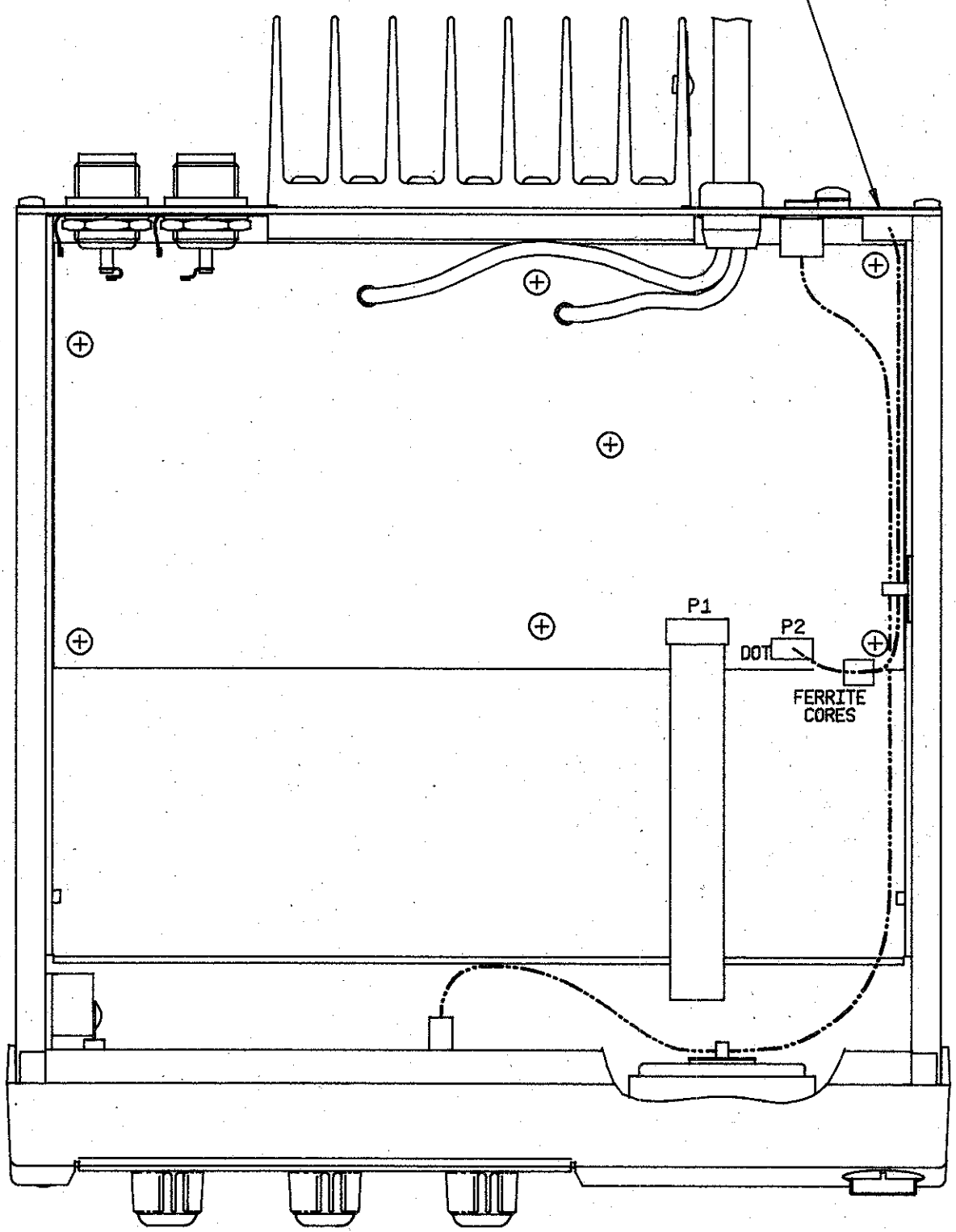


DO NOT SCALE



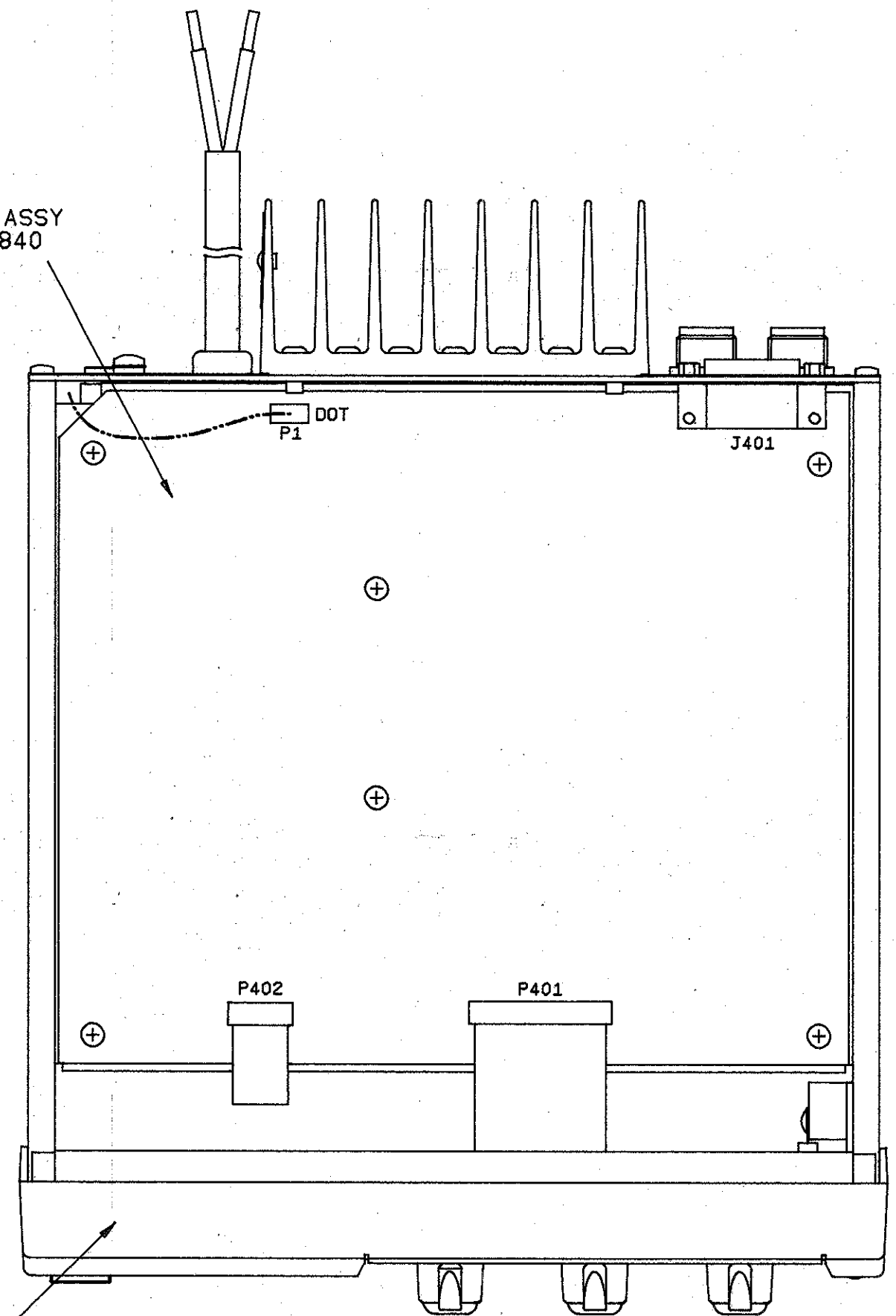
FRONT PANEL
REAR VIEW

PA & CHASSIS ASSY
08-04841



BOTTOM VIEW

Rx PCB ASSY
08-04840



TOP VIEW

FRONT PANEL ASSY
08-04842

DISC FILE

	SCALE	1:1	COPYRIGHT © CODAN PTY.LTD. A.C.N. 007 590 605 TITLE TRANSCIEVER LAYOUT
	DRN	DB	
MATERIAL	CHKD	<i>PK</i>	21-7-92
	APPD	<i>PK</i>	22-7-92
FINISH	TOLERANCES		A2 16-00107
	UNLESS OTHERWISE STATED		
		2 PLACES DEC. ±	ISS 1
		1 PLACE DEC. ±	
		ANGULAR ±	SHT. 1 OF 1