

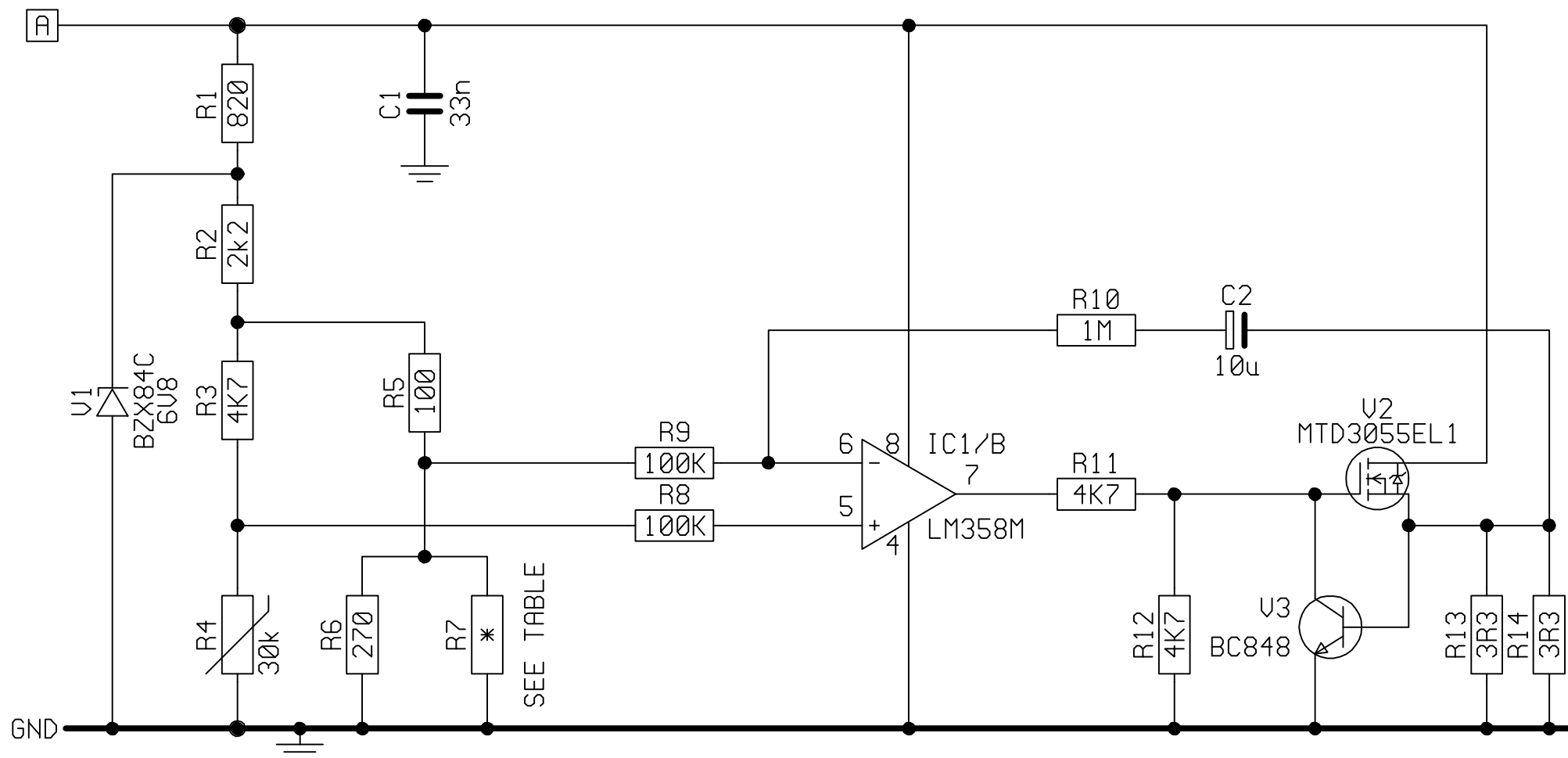
CHANGE REQUEST

ISSUE B
U1 WAS BCX20.
NOTE: CHGED.
C/R 24530
22-05-96 NJA

ISSUE 2
R9 WAS 270K
R1 WAS 4K7
R15, U3 ADDED
C/R 24987
04-07-97 MJS

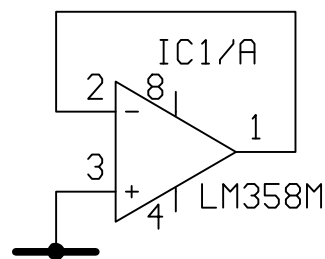
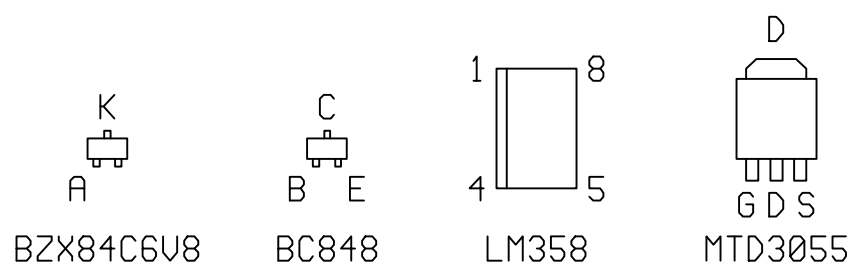
ISSUE 3
RENUMBERED
R3,R8,R9,R10
R11 WERE 1206
R7 WAS 220
TABLE ADDED.
C/R 25721
09-11-98 RRU

ISSUE 4
PCB WAS ISS -03
C/R 26392
GDD 21/12/99



VERSION	R7
08-05235-001	220
08-05235-002	150

ALL DEVICES ARE VIEWED FROM THE TOP



PCB 07-01732-04

			SCALE	© CODAN PTY. LTD, A.C.N. 007 590 605, 1995	
	DRA	AML	DATE	TITLE	
MATERIAL	CHKD	NJA	08-02-96	CRYSTAL OVEN	
FINISH	APPD	NJA	04-10-96	DRAWING/DOC.NO	
TOLERANCES UNLESS OTHERWISE STATED			A3	04-03095	
2 PLACES DEC. ± 1 PLACE DEC. ± ANGULAR ±				ISS	SHT 1 OF 1
			3	4	

FILE NAME
04\03095_4