

SIDE 1
SURFACE MOUNT COMPONENTS ONLY

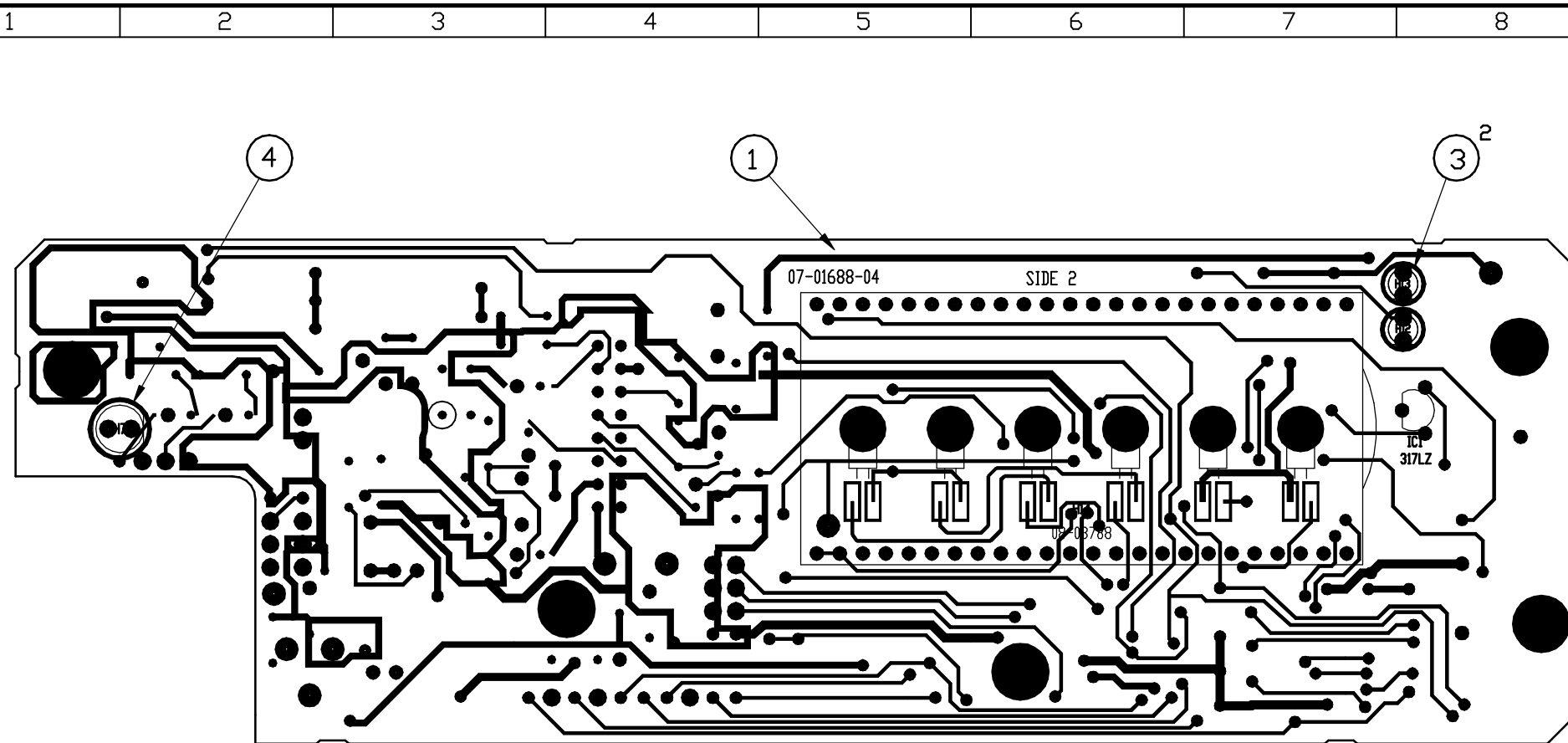
NOTES:-
1. ALL DIODES ARE BAS16.
2. ALL TRANSISTORS ARE BCX20.

PCB 07-01688-04
ASSY P/No. 08-05113-001

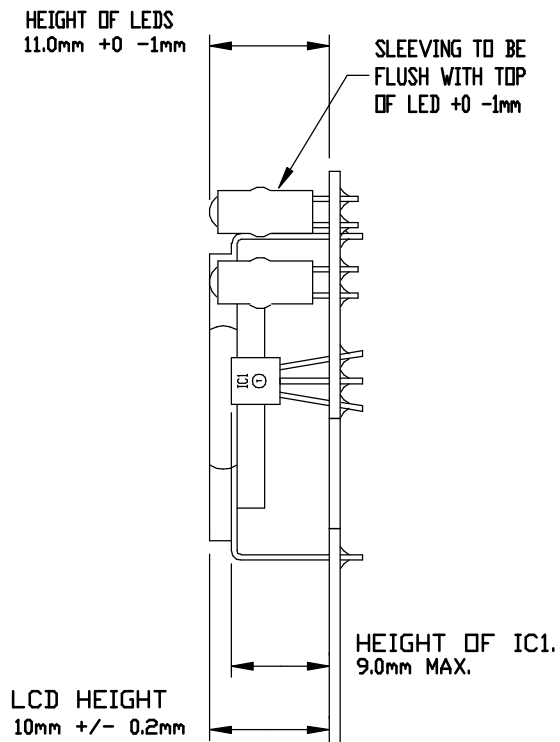
CHANGE REQUEST
ISSUE 2 R33 WAS 390K R36 WAS 10K C/R 24093 NJA 16-11-94
ISSUE 3 PCB WAS ISS. 1 C/R 24227 CM 10-07-95
ISSUE 4 REFER SHEET 2. C/R 24515 CM 27-03-96
ISSUE 5 R33 WAS 390k R36 WAS 10k C/R 24849 BCL 19/2/97
ISSUE 6 REFER SHT 2 C/R 24906 NJA 26-02-98

FILE No.
08\05113_6.DWG

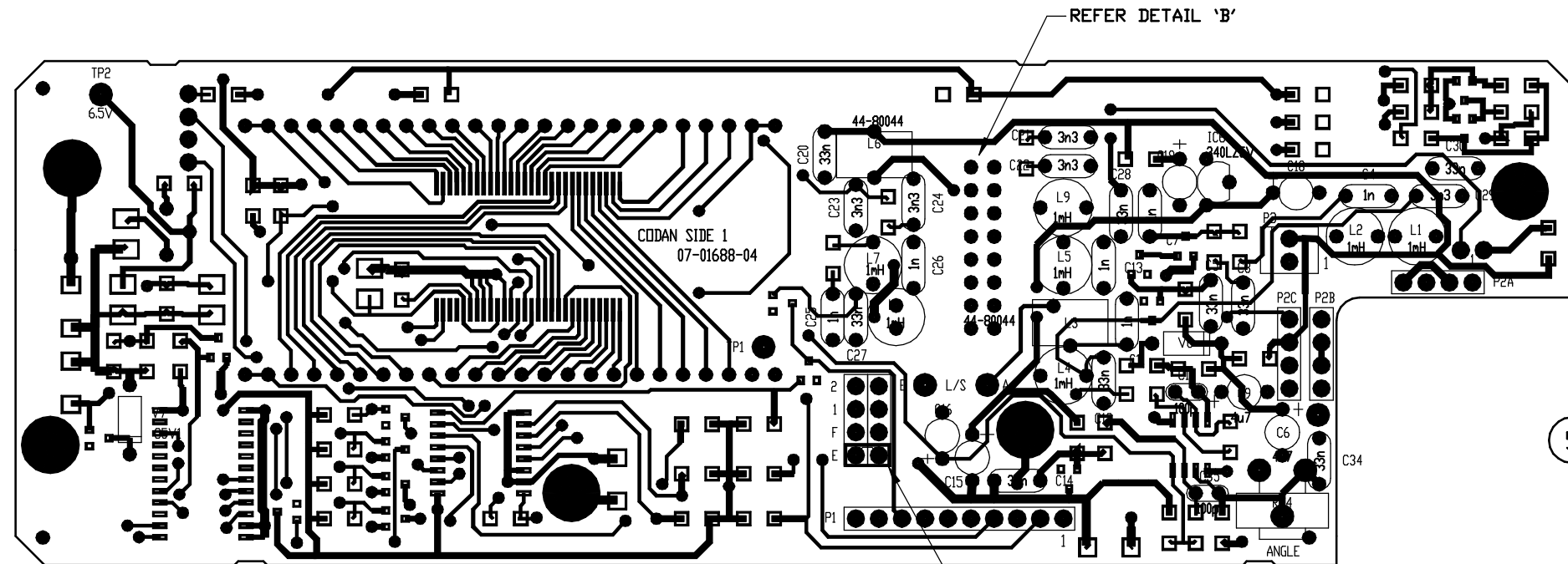
	SCALE 2:1		© CODAN PTY LTD, A.C.N. 007 590 605 1996 TITLE	
	DRN	ILT	DATE	DISPLAY PCB ASSEMBLY
MATERIAL	CHKD	NJA	30-05-94	DRAWING/DOC NO.
	APPD	CM	01-06-94	
FINISH	TOLERANCES UNLESS OTHERWISE STATED			A2
	2 PLACES DEC. 1 PLACE DEC. 0 PLACE DEC. ANGULAR			
ISS 6				SHT. 1 OF 2



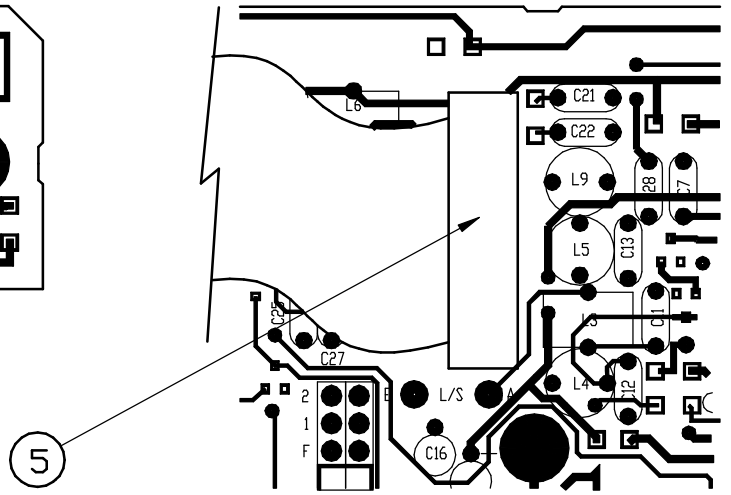
SIDE 2



DETAIL 'A'



SIDE 1



DETAIL 'B'

- NOTES:
ORDER OF ASSEMBLY MUST BE:-
- FIT ALL SURFACE MOUNT COMPONENTS.
 - FIT ALL OTHER COMPONENTS ON SIDE 1 (EXCEPT ITEM 5).
 - FIT H1-H6. ENSURE FILAMENT IS IN THE MIDDLE OF THE SILVER AREA AND THE LEADS DO NOT OVERHANG EDGE OF PADS.
 - INSPECTION
 - FIT DISPLAY H14 AS SHOWN.
 - FIT ALL LEDS WITH SLEEVE AS SHOWN.
 - FIT ITEM 5.
 - INSPECT DISPLAY.

PCB 07-01688-04
ASSY P/No. 08-05113-001

CHANGE REQUEST

ISSUE 2
R33 WAS 390K
R36 WAS 10K
C/R 24093
NJA 16-11-94

ISSUE 3
PCB WAS ISS. 1
C/R 24227
CM 10-07-95

ISSUE 4
ITEM 5 ADDED.
C/R 24515
CM 27-03-96

ISSUE 5
R33 WAS 390k
R36 WAS 10k
C/R 24849
BCL 19/2/97

ISSUE 6
L1,L2,L4,L5,L7,
L8, L9 CHANGED
C/R 24906
NJA 26-02-98

FILE NAME
08\05113_6.DWG

	SCALE	2:1	© CODAN PTY LTD, A.C.N. 007 590 605 1996 TITLE DISPLAY PCB ASSEMBLY
	DRN	ILT	
MATERIAL	CHKD	NJA	30-05-94
	APPD	CM	01-06-94
FINISH	TOLERANCES UNLESS OTHERWISE STATED		DRAWING/DOC NO. 08-05113
	2 PLACES DEC. 1 PLACE DEC. 0 PLACE DEC. ANGULAR		
ISS			SHT. 2
6			OF 2