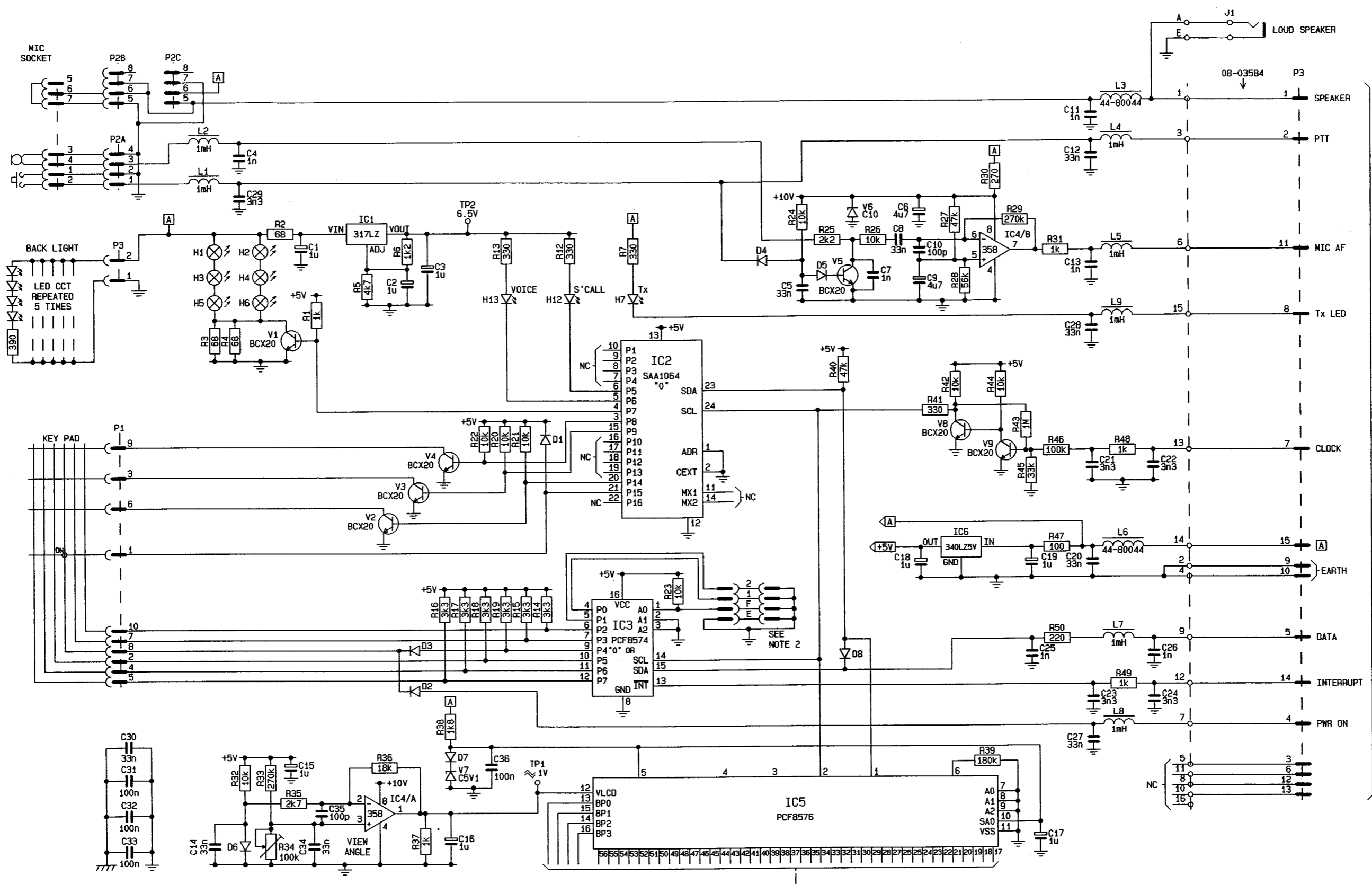
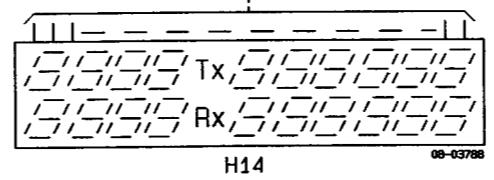
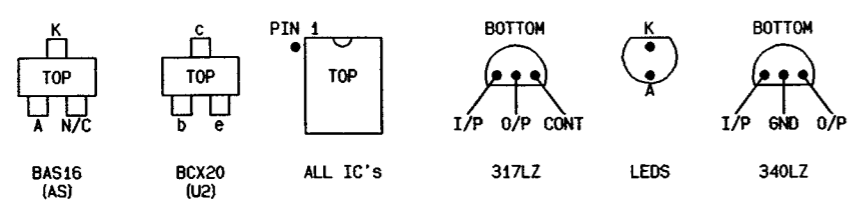


CHANGE REQUEST
 ISSUE 2
 R33 WAS 390K
 R36 WAS 10K
 C7/R 24093
 NJA 16-11-94



REMOTE PLUG TO 8528

NOTES:
 1. DIODES ARE BAS16, OR EQUIVALENT, UNLESS OTHERWISE STATED.
 2. SELECT LINK 'E' FOR EXTENDED CONTROL HEAD.



PCB 07-01688
 ASSY 08-05113-001

CODAN		SCALE		© CODAN PTY. LTD. A.C.N. 007 590 605. 1994	
MATERIAL		DRN	ILT	DATE	TITLE
		CHKD	NJA	27-5-94	CONTROL HEAD
		APPD	NJA	30-5-94	DRAWING/DOC. NO
		TOLERANCES			A1
		UNLESS OTHERWISE STATED			04-03038
		2 PLACES DEC. ±			ISS
		1 PLACE DEC. ±			2
		ANGULAR ±			SHT 1
					OF 1

MASTER IF NOT IN RED CHECK STATUS